

US00D916475S

(12) **United States Design Patent**  
**Frank**

(10) **Patent No.:** **US D916,475 S**  
(45) **Date of Patent:** **\*\* Apr. 20, 2021**

- (54) **SEAT WITH TABLET SUPPORT**
- (71) Applicant: **Alicia S. Frank**, Weston, FL (US)
- (72) Inventor: **Alicia S. Frank**, Weston, FL (US)
- (\*\*) Term: **15 Years**
- (21) Appl. No.: **29/659,207**
- (22) Filed: **Aug. 7, 2018**
- (51) **LOC (13) Cl.** ..... **06-01**
- (52) **U.S. Cl.**  
USPC ..... **D6/338; D6/336; D6/381**
- (58) **Field of Classification Search**  
USPC ..... **D6/336, 372, 374, 381, 338**  
CPC .... **A47C 7/56; A47C 7/68; A47C 4/18; A47C**  
**1/121; A47C 1/124**  
See application file for complete search history.

(56) **References Cited**

**U.S. PATENT DOCUMENTS**

- 3,762,765 A \* 10/1973 Piretti ..... A47C 7/543  
297/162
- D253,859 S \* 1/1980 Hosoe ..... D6/372
- 5,169,210 A \* 12/1992 Fricano ..... A47C 7/70  
248/282.1
- 6,095,603 A \* 8/2000 Hock ..... A47C 1/12  
297/232
- D445,574 S \* 7/2001 Foster ..... D6/336
- D537,648 S \* 3/2007 Moschini ..... D6/381
- D609,491 S \* 2/2010 Lievore ..... D6/381

- D685,201 S \* 7/2013 Fentress ..... D6/374
- 8,764,107 B2 \* 7/2014 Kusch ..... A47C 11/005  
297/248
- D723,827 S \* 3/2015 Gibilterra ..... D6/381
- 10,264,893 B2 \* 4/2019 Keilhauer ..... A47C 7/68
- 2015/0241041 A1 \* 8/2015 Youngberg ..... A47B 96/025  
362/249.1
- 2017/0208952 A1 \* 7/2017 Simon ..... A47C 7/004

\* cited by examiner

*Primary Examiner* — Cathron C Brooks

(74) *Attorney, Agent, or Firm* — Nancy J. Flint, Attorney  
At Law, P.A.; Nancy J. Flint, Esq.

(57) **CLAIM**

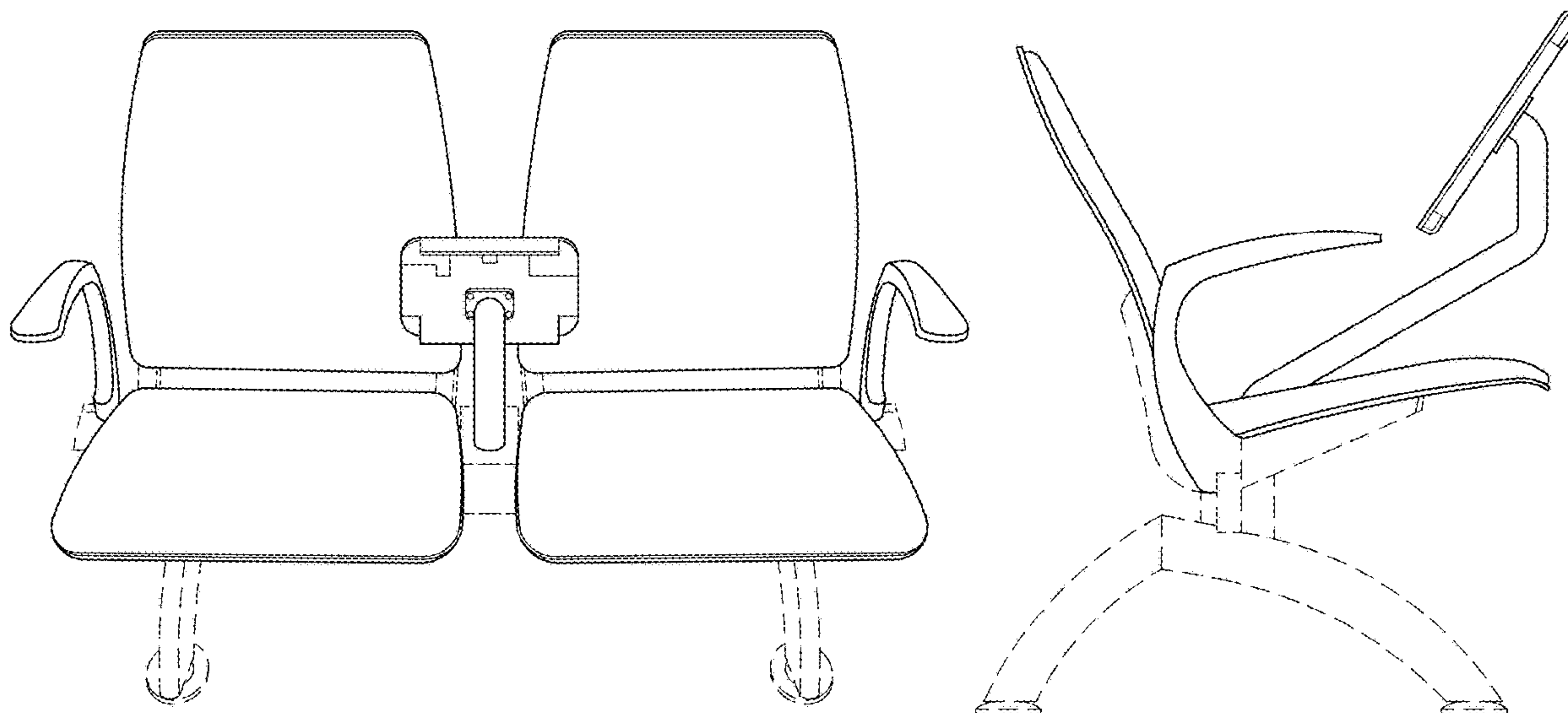
The ornamental design for a seat with tablet support, as shown and described.

**DESCRIPTION**

FIG. 1 is a front perspective view of a seat with tablet support showing my new design;  
 FIG. 2 is a top view of the seat with tablet support;  
 FIG. 3 is a front view of the seat with tablet support;  
 FIG. 4 is a left side view of the seat with tablet support;  
 FIG. 5 is a rear view of the seat with tablet support; and,  
 FIG. 6 is a bottom view of the seat with tablet support.  
 The right side view not shown is a mirror image of the left side view.

The broken lines shown in the drawings illustrate portions of the seat with tablet support that form no part of the claimed design.

**1 Claim, 6 Drawing Sheets**



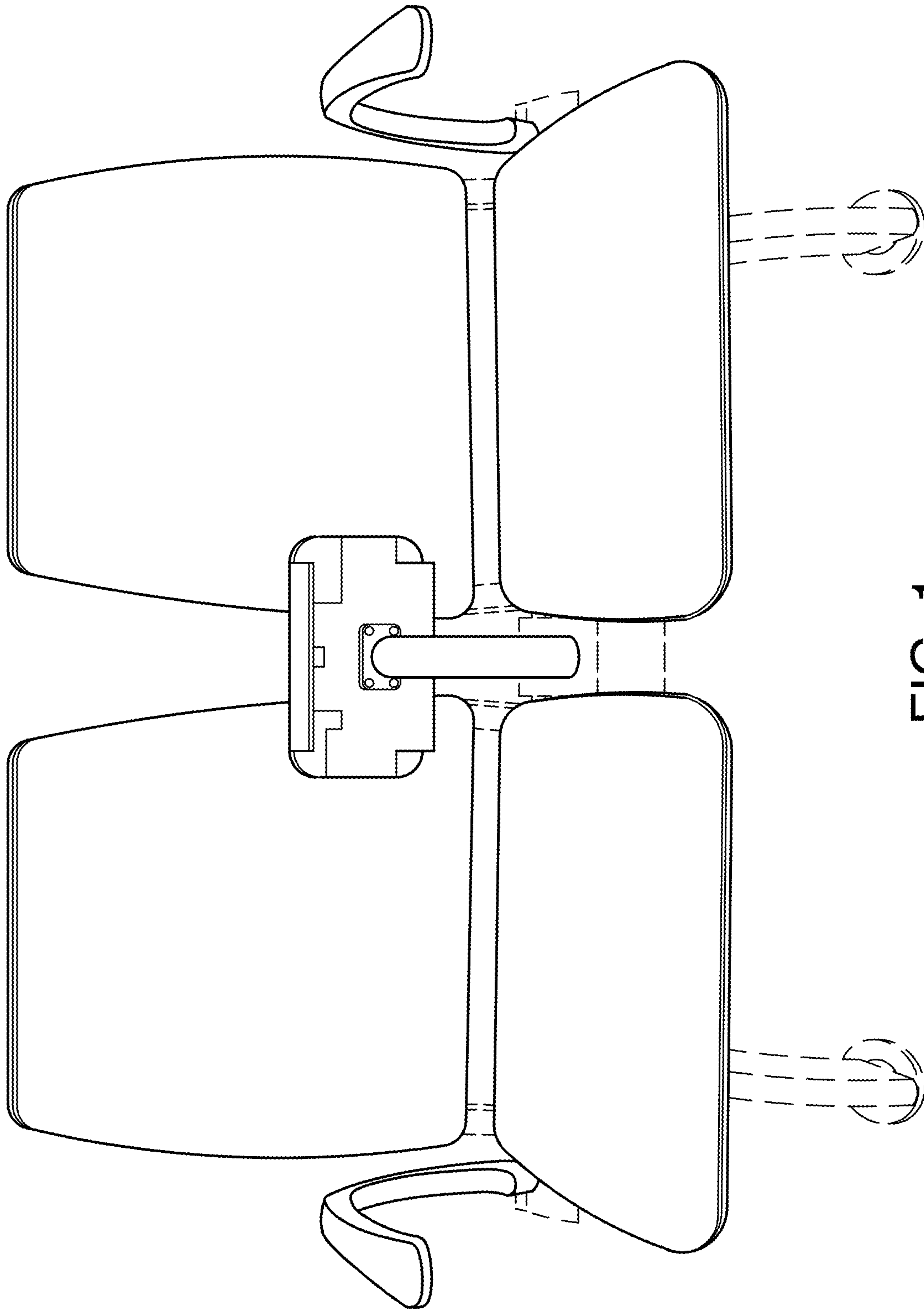


FIG. 1

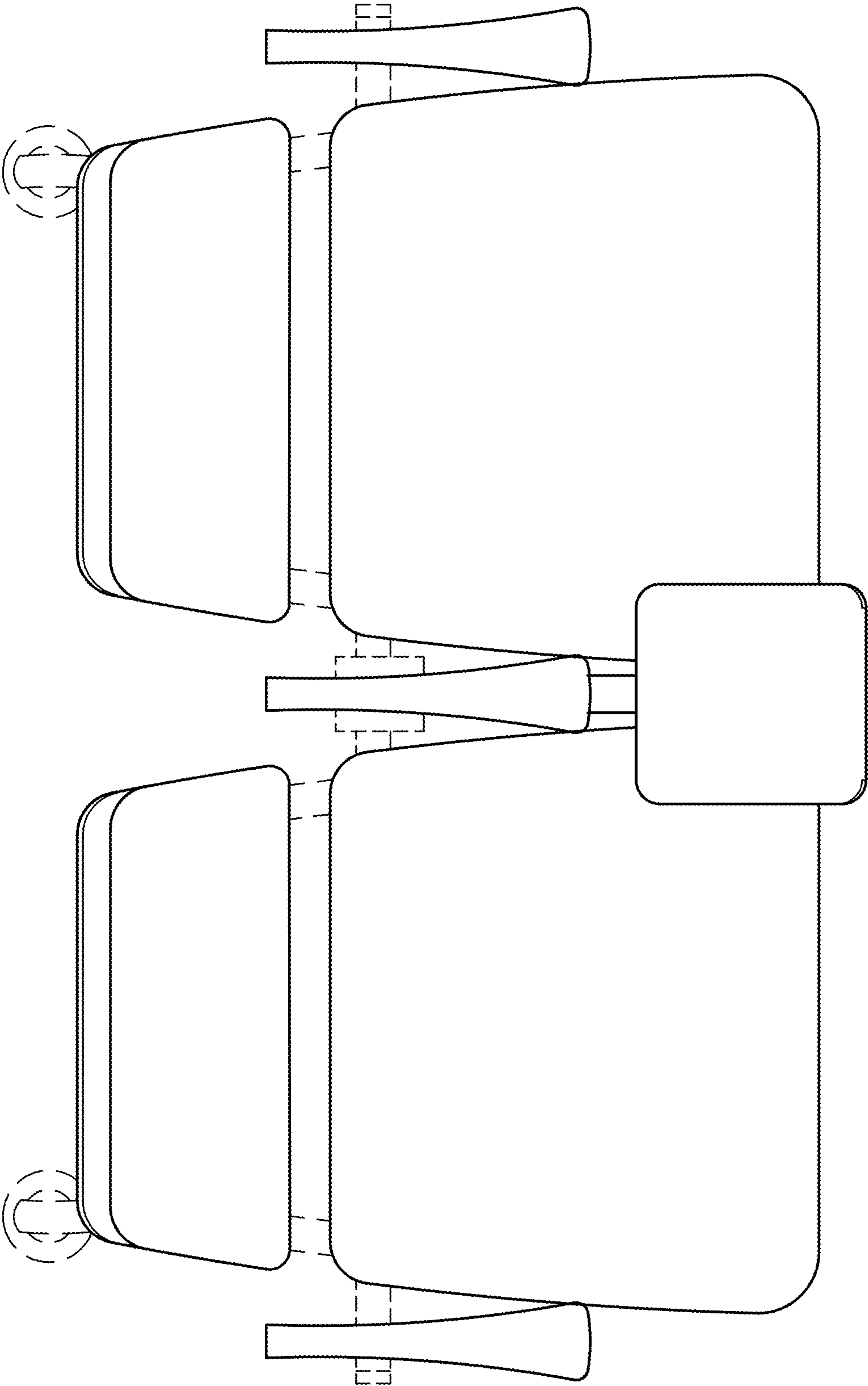


FIG. 2

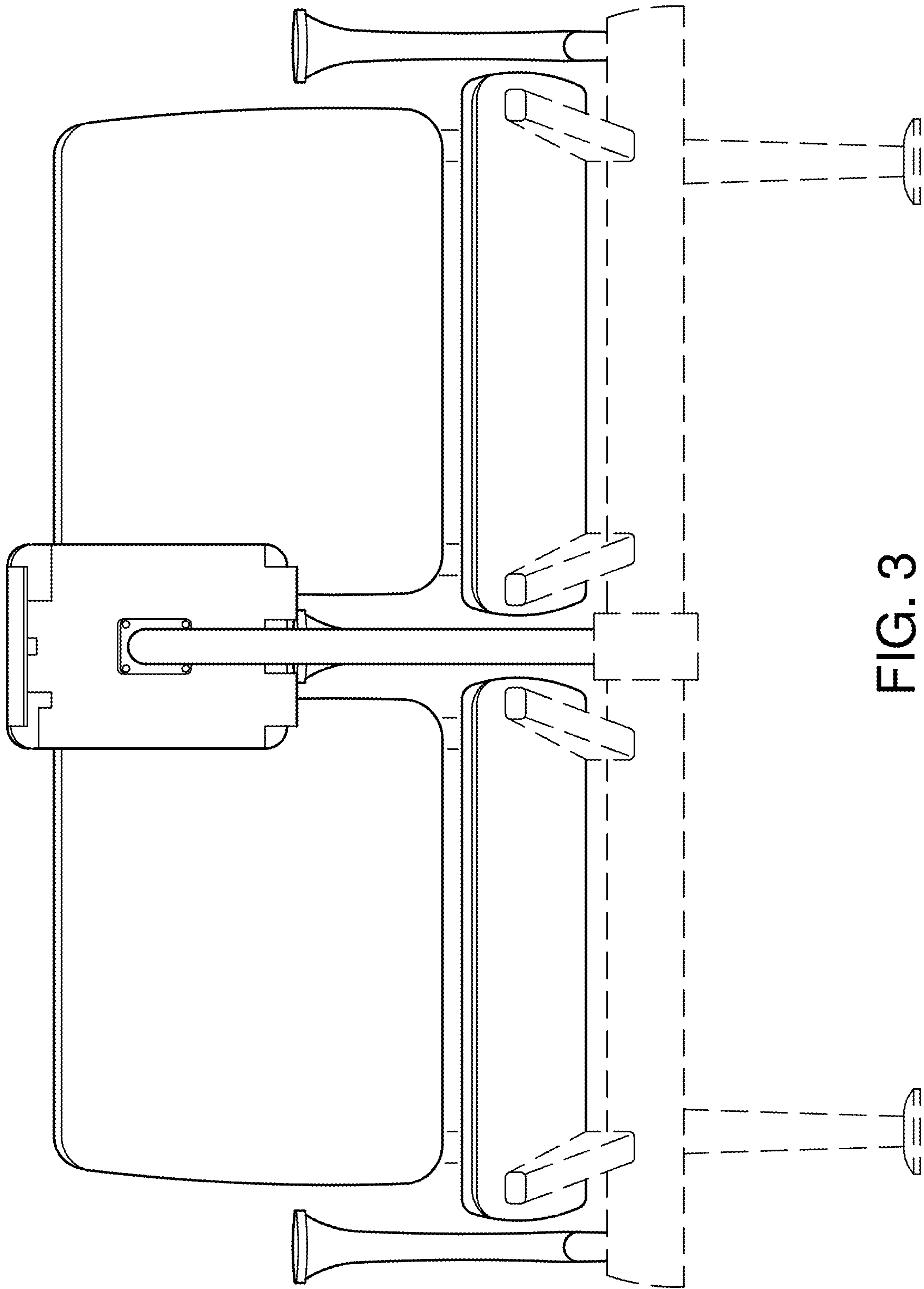


FIG. 3

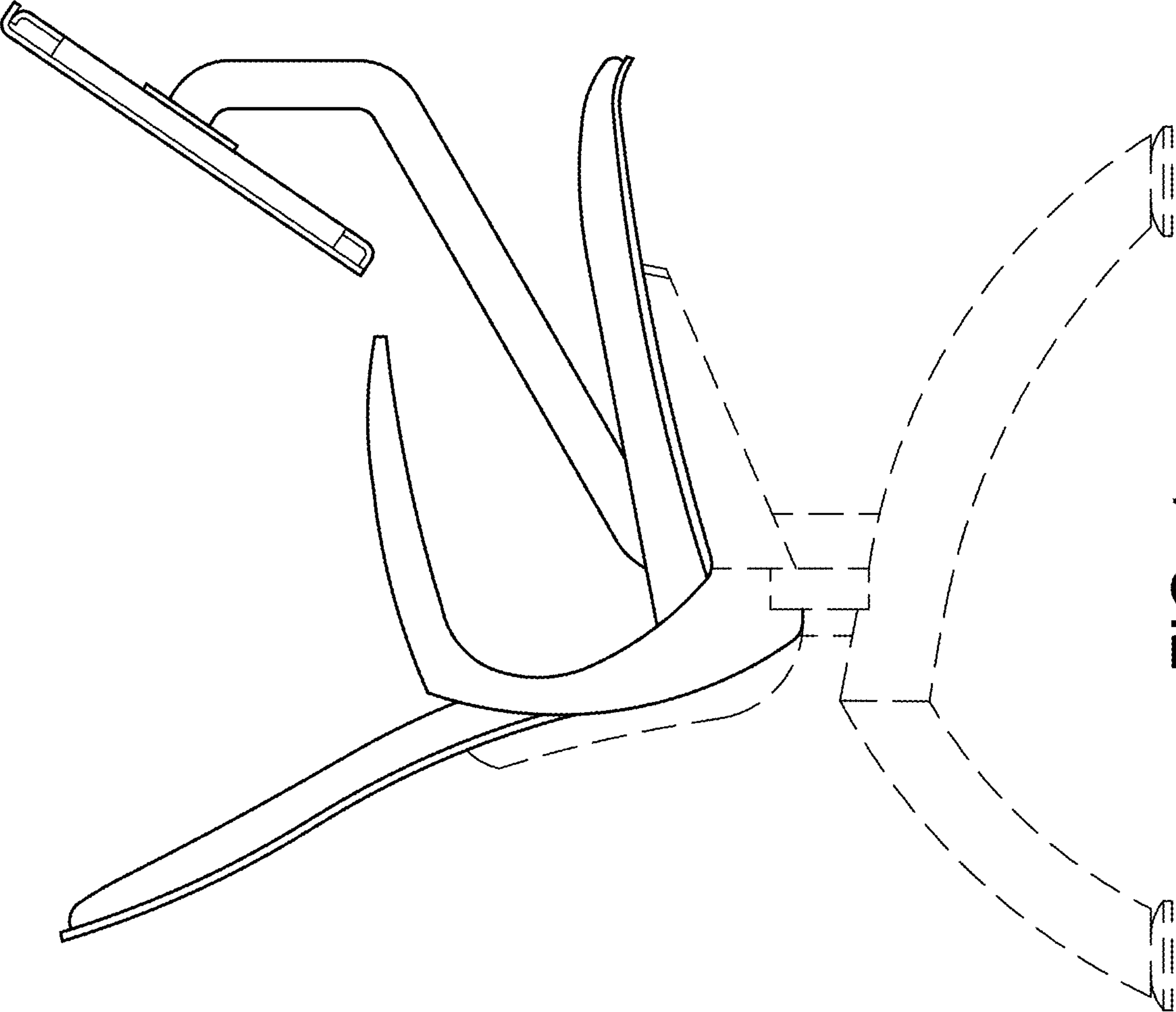


FIG. 4

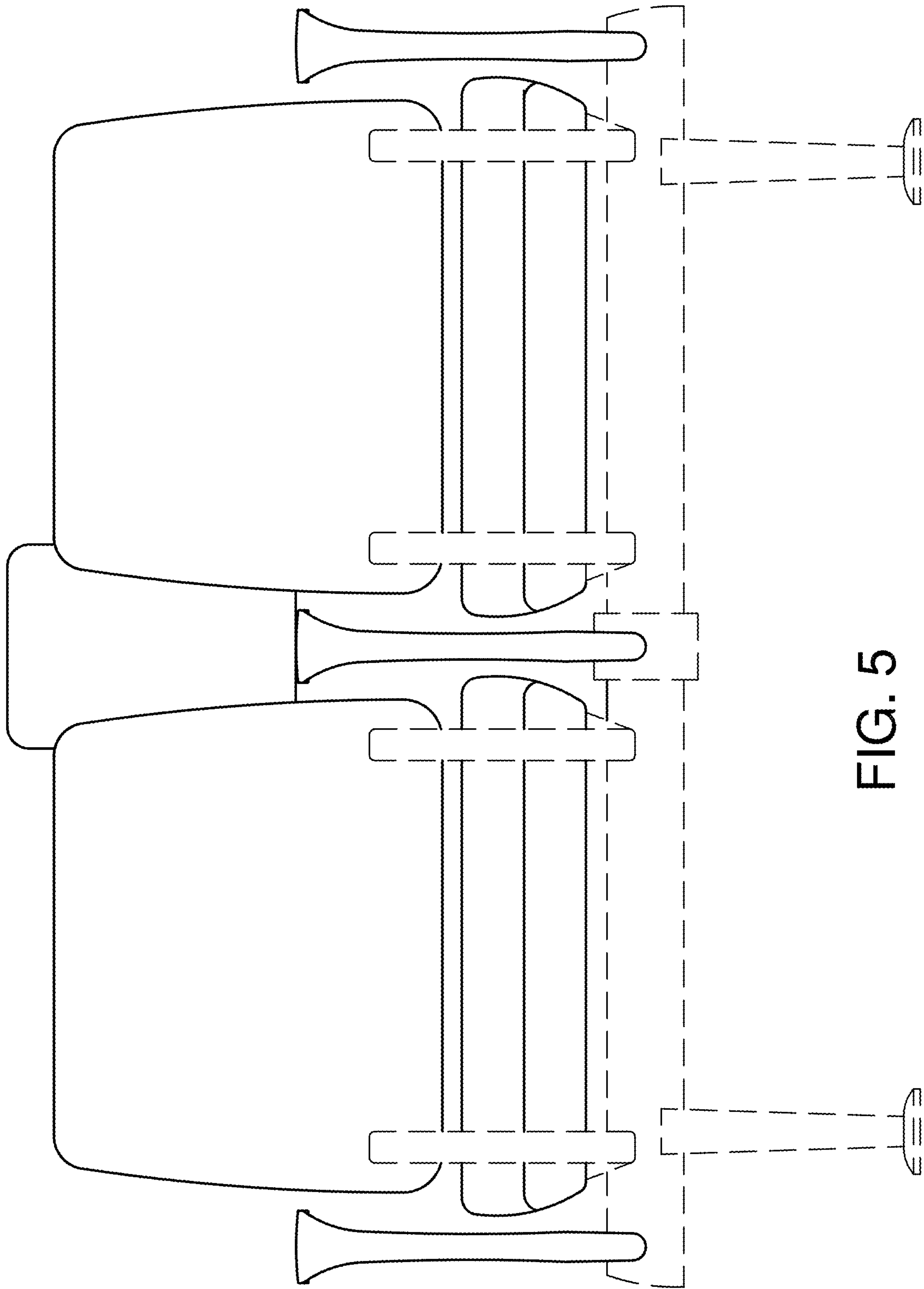


FIG. 5



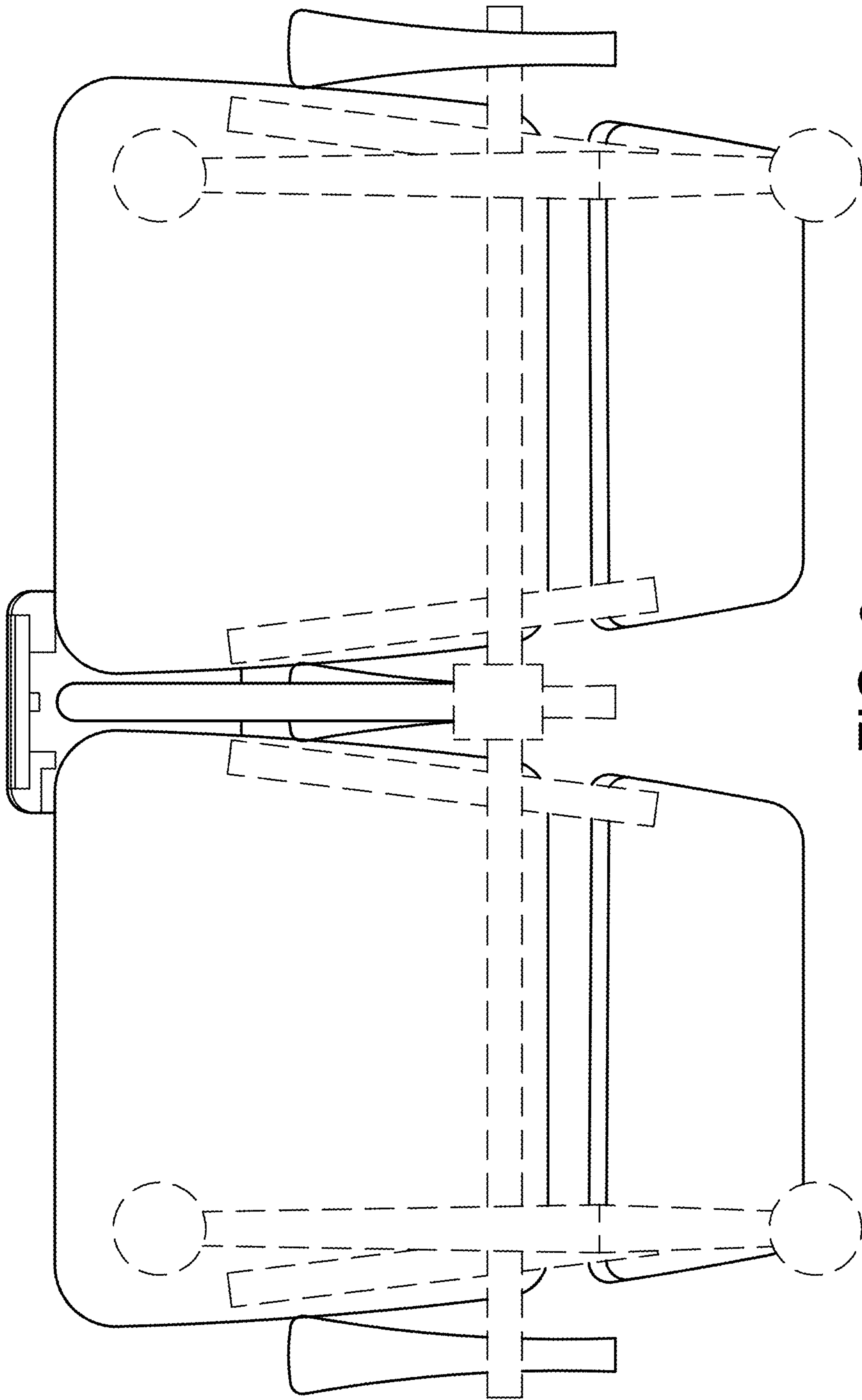


FIG. 6