



US00D916474S

(12) **United States Design Patent**
Crawford

(10) **Patent No.:** **US D916,474 S**

(45) **Date of Patent:** **** Apr. 20, 2021**

(54) **BABY LOUNGER**

(71) Applicant: **Emily Marlowe Crawford**, Lee's Summit, MO (US)

(72) Inventor: **Emily Marlowe Crawford**, Lee's Summit, MO (US)

(73) Assignee: **Ooh! Aah! Creative, LLC.**, Lee's Summit, MO (US)

(**) Term: **15 Years**

(21) Appl. No.: **29/703,332**

(22) Filed: **Aug. 26, 2019**

(51) **LOC (13) Cl.** **06-01**

(52) **U.S. Cl.**
USPC **D6/333**

(58) **Field of Classification Search**
USPC D6/333-336, 339-341, 344, 381, D6/716.1-716.7; 297/250.1, 255, 256.15, 297/183.1-183.4, 184.15, 184.17, 256.16; D12/129-130, 133; 5/94, 98.2, 103-104, 5/655, 655.3; D21/419; 280/30-31
CPC A47C 4/54; A47C 4/02; A47C 4/52; A47C 4/00; A47C 7/021; A47C 7/022; A47C 7/0213; A47C 3/16; A47C 1/00; A47C 1/02; A47C 1/024; A47C 1/143; A47C 17/00; A47C 17/02; A47C 17/86; A47C 17/16; B60N 2/0292

See application file for complete search history.

(56) **References Cited**

U.S. PATENT DOCUMENTS

D398,181 S *	9/1998	Lange	D6/596
D525,804 S *	8/2006	Schwartz	D21/809
D548,479 S *	8/2007	Clark	D21/809
D813,558 S *	3/2018	Spencer	D6/333
D841,345 S *	2/2019	Torres	D6/333

* cited by examiner

Primary Examiner — Abraham Bahta

(74) *Attorney, Agent, or Firm* — White-Welker & Welker, LLC; Matthew T. Welker, Esq.

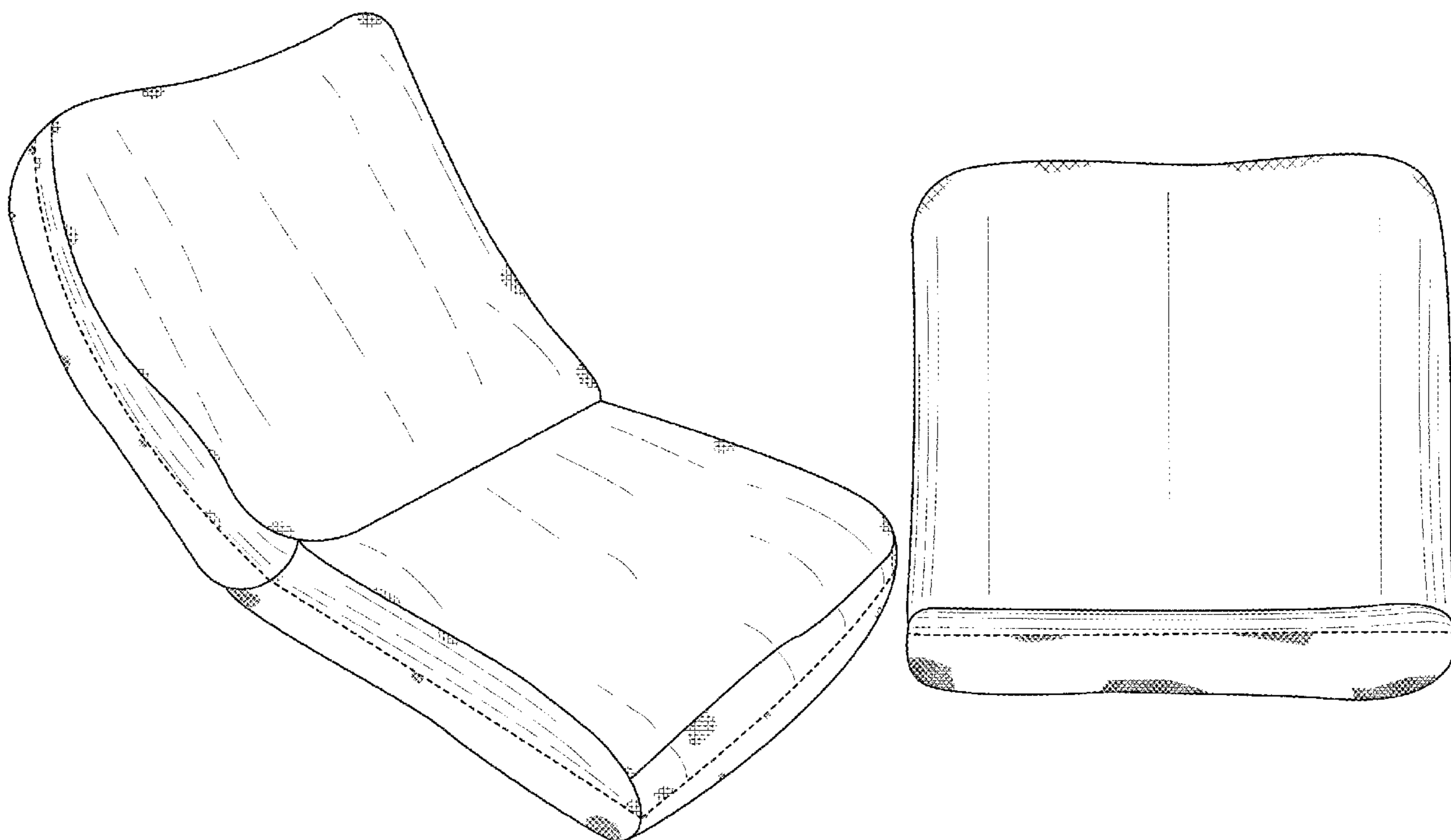
(57) **CLAIM**

The ornamental design for a baby lounger, as shown and described.

DESCRIPTION

FIG. 1 is a front perspective view of the baby lounger showing my new design;
FIG. 2 is a front view of FIG. 1; the baby lounger being in a folded state;
FIG. 3 is a rear of FIG. 2;
FIG. 4 is left side view of FIG. 1;
FIG. 5 is a right side view of FIG. 1;
FIG. 6 is a top-front view of FIG. 1;
FIG. 7 is a bottom view of FIG. 6; and,
FIG. 8 is a perspective view of the baby lounger in use.
The broken line showing of portions of the baby lounger is included for the purpose of illustrating environmental structure and forms no part of the claimed design.

1 Claim, 6 Drawing Sheets



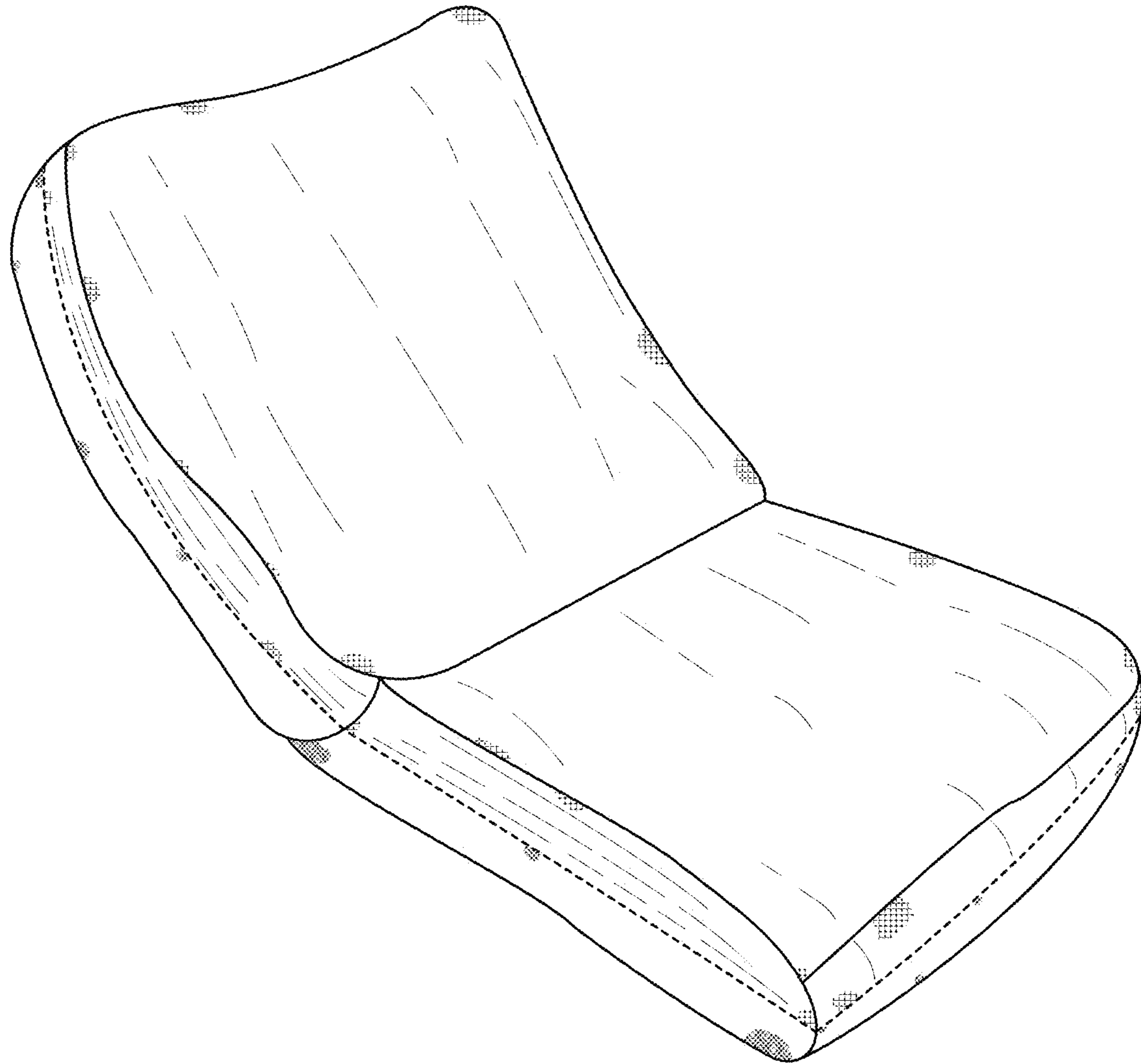


FIG. 1

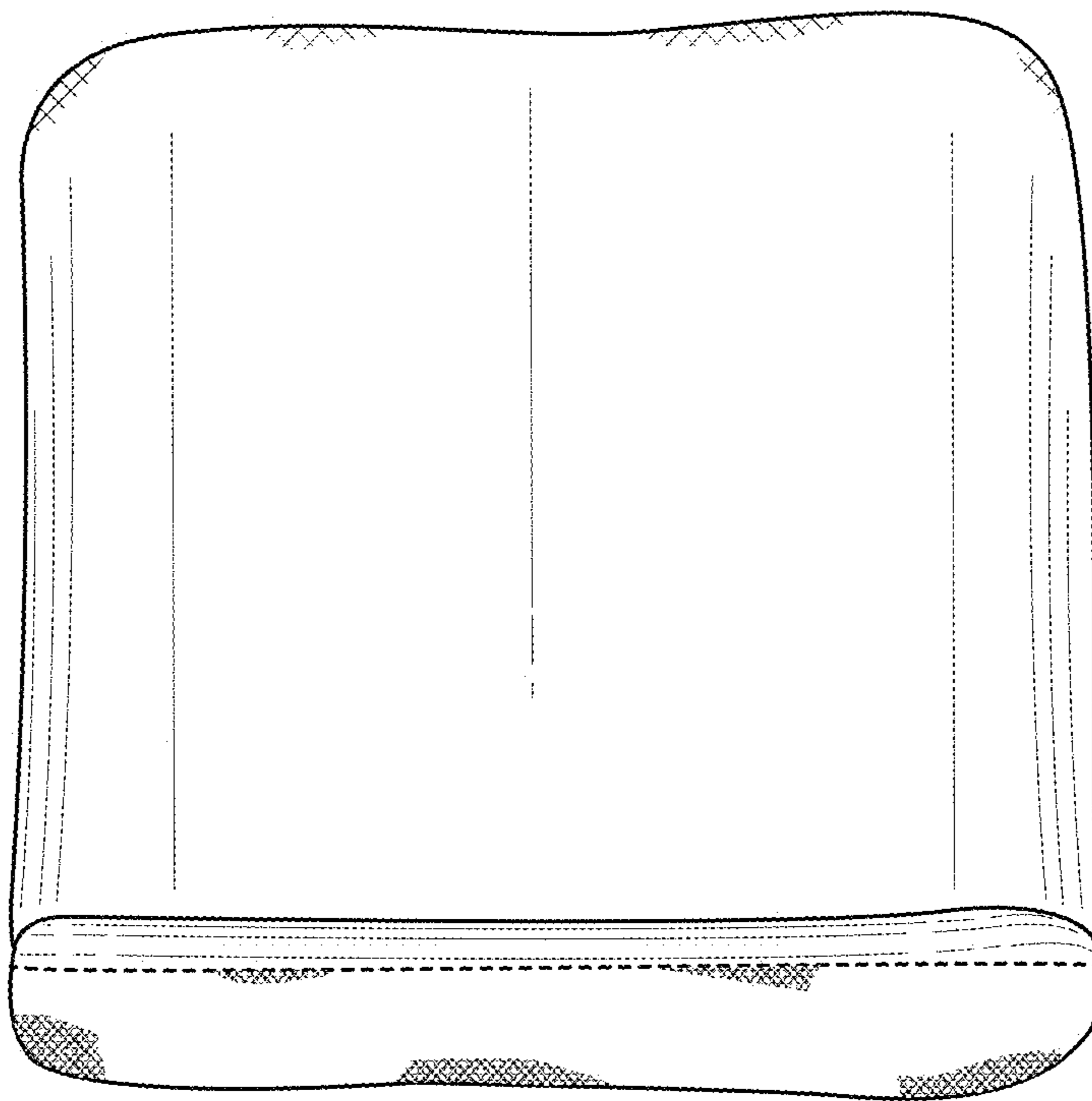


FIG. 2

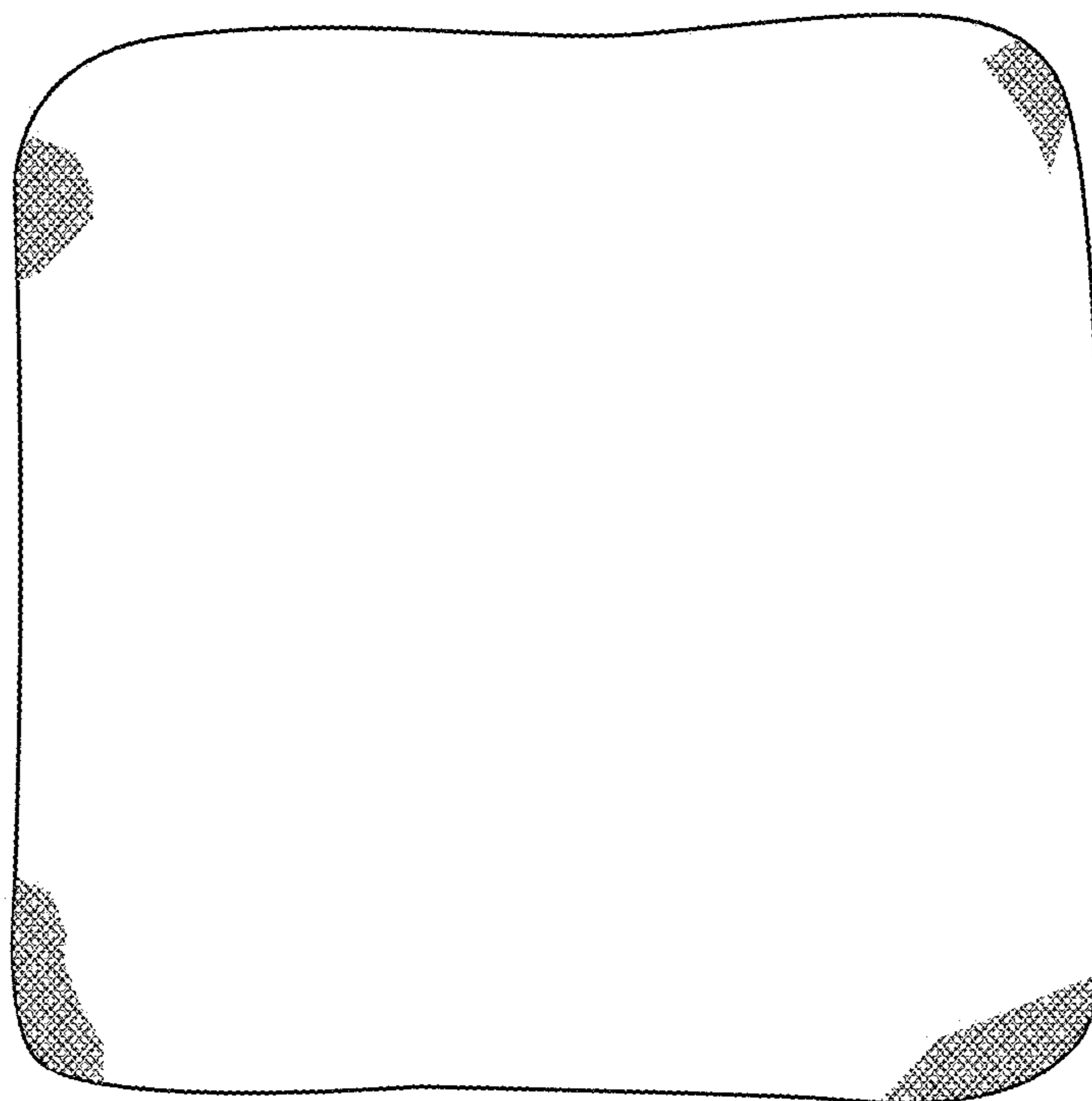


FIG. 3

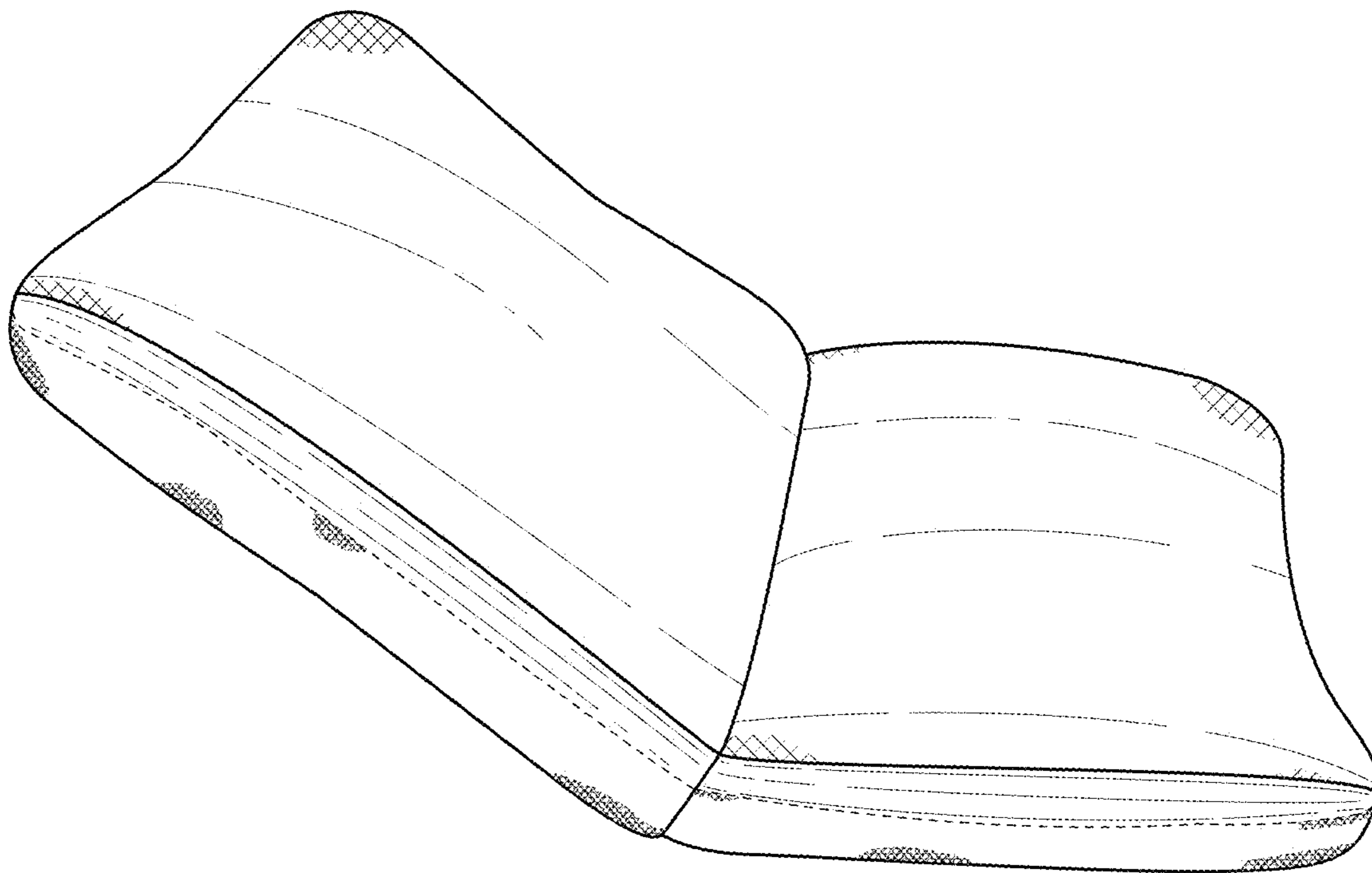


FIG. 4

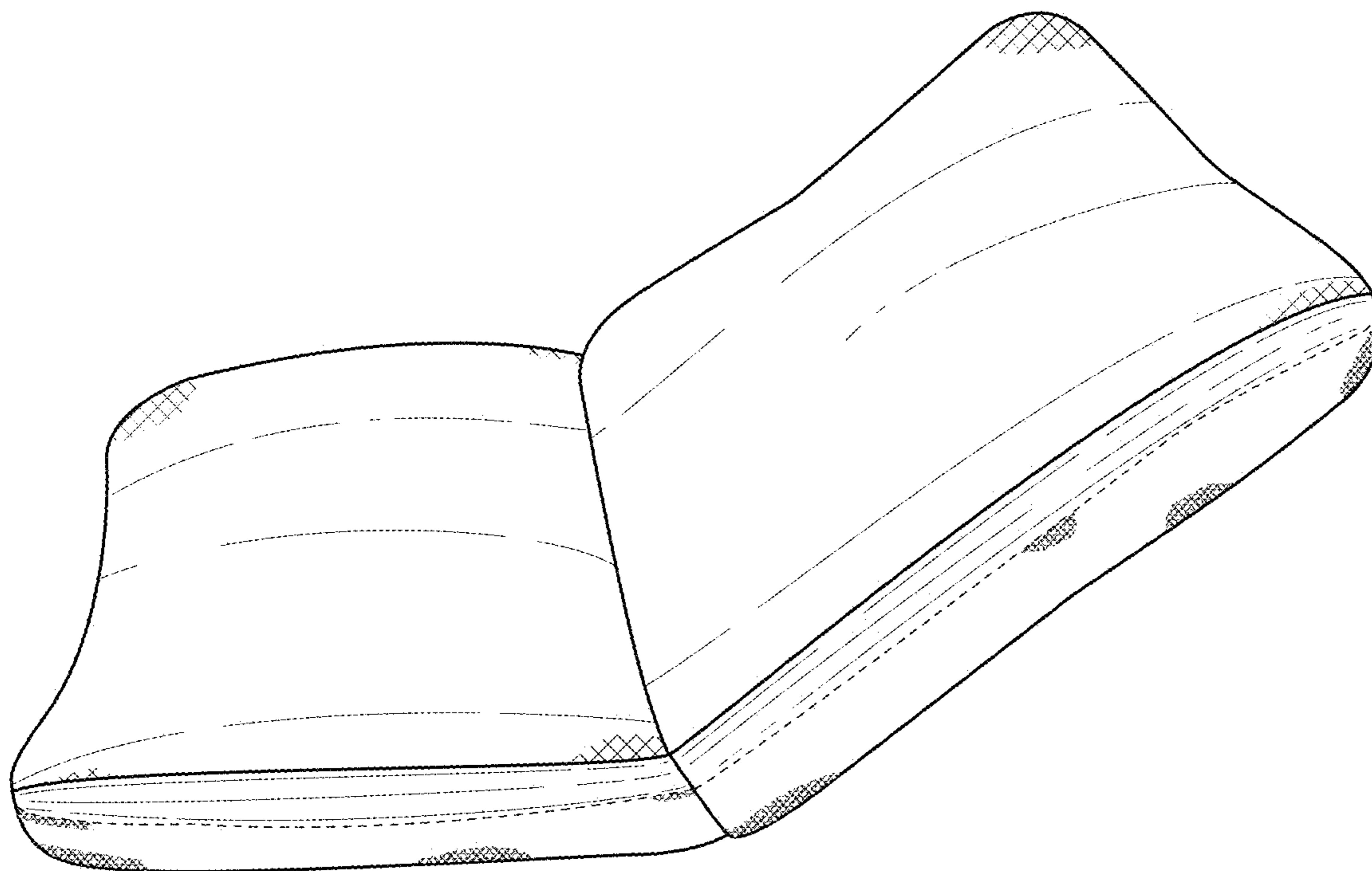


FIG. 5

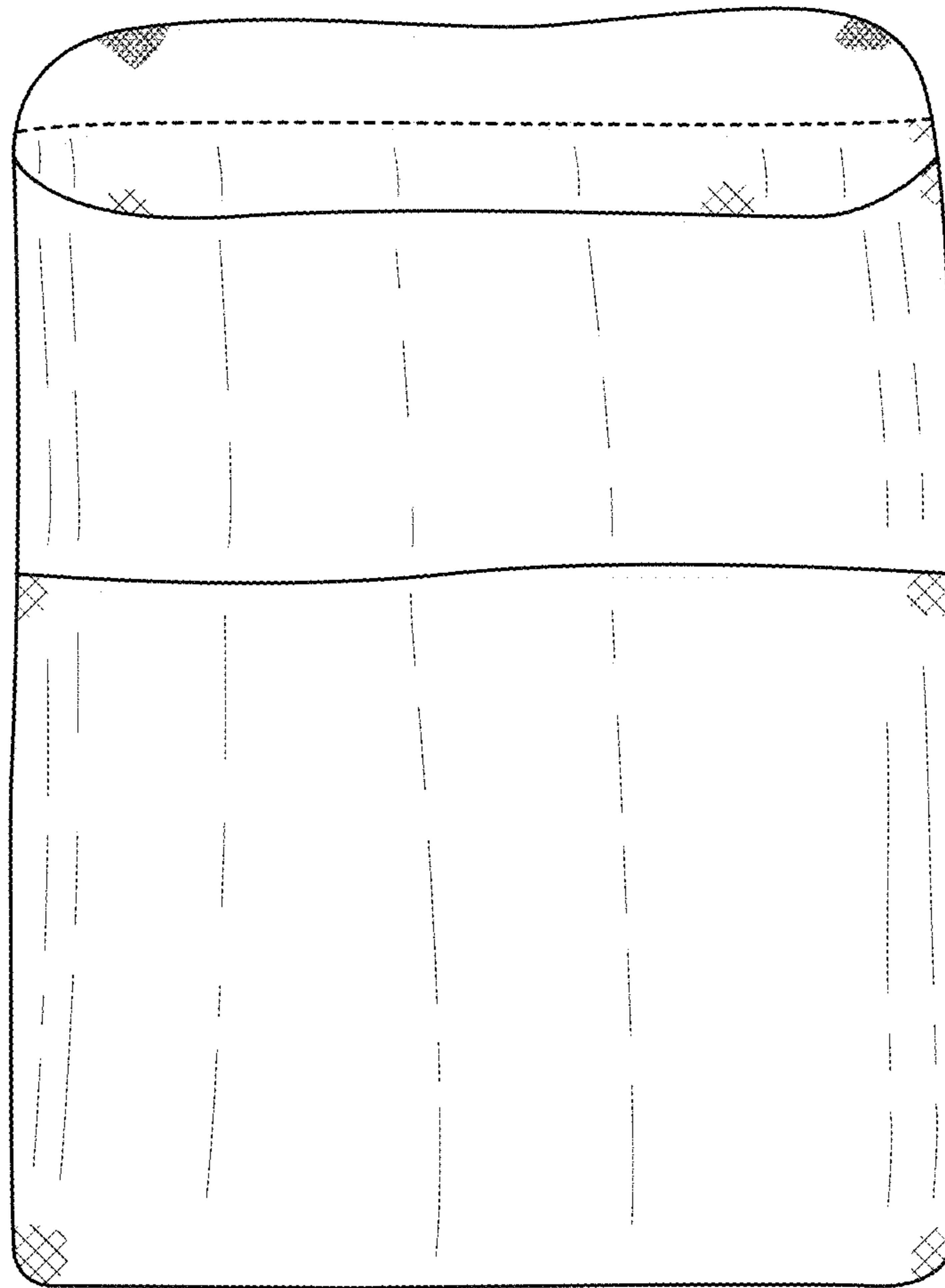


FIG. 6

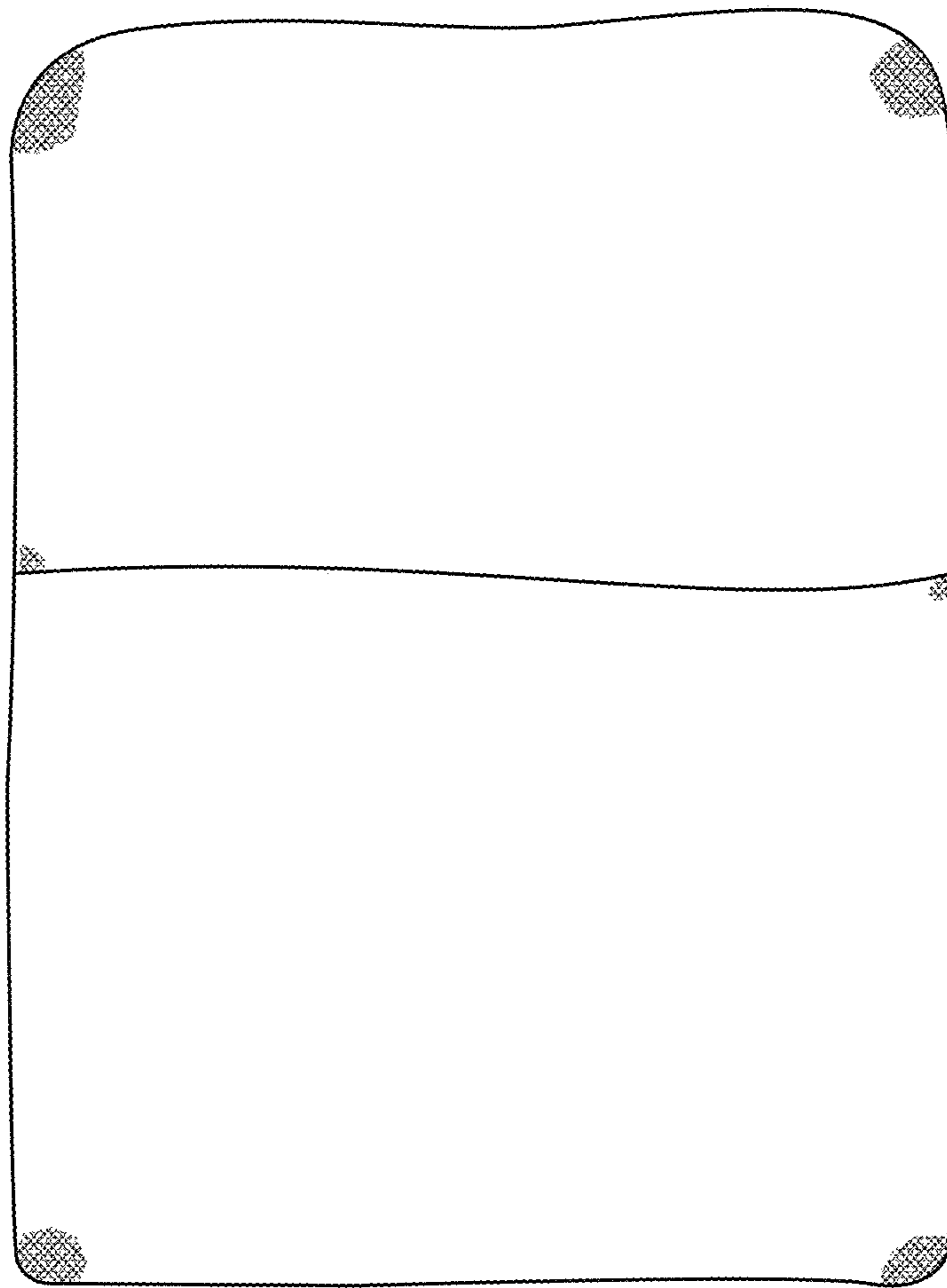


FIG. 7



FIG. 8