



US00D916472S

(12) **United States Design Patent** (10) **Patent No.:** **US D916,472 S**
Ghiorghie (45) **Date of Patent:** **** Apr. 20, 2021**

(54) **MIRROR**

3/00; F21V 3/004; G09F 15/0056; B60J 3/0282; G09B 19/00; B62B 9/005; G02B 7/198

(71) Applicant: **InterDesign, Inc.**, Solon, OH (US)

See application file for complete search history.

(72) Inventor: **Radu Alexandru Ghiorghie**, Copley, OH (US)

(56) **References Cited**

(73) Assignee: **InterDesign, Inc.**, Solon, OH (US)

U.S. PATENT DOCUMENTS

(**) Term: **15 Years**

D509,369	S	*	9/2005	Snell	D6/310
D540,549	S	*	4/2007	Yue	D6/312
D730,065	S	*	5/2015	Tsai	D6/310
D874,162	S	*	2/2020	Greenwalt	D6/310
D891,121	S	*	7/2020	Zhao	D6/308
D891,125	S	*	7/2020	Liu	D6/310
D897,694	S	*	10/2020	Lin	D6/309
D897,695	S	*	10/2020	Yang	D6/309
2019/0003699	A1	*	1/2019	Mondora	F21V 33/004

(21) Appl. No.: **29/708,862**

(22) Filed: **Oct. 10, 2019**

Related U.S. Application Data

(63) Continuation of application No. 29/624,081, filed on Oct. 30, 2017, now Pat. No. Des. 862,994, which is a continuation of application No. 29/511,184, filed on Dec. 8, 2014, now Pat. No. Des. 801,077, which is a continuation-in-part of application No. 14/513,474, filed on Oct. 14, 2014, now abandoned, and a continuation-in-part of application No. 29/456,031, filed on May 28, 2013, now Pat. No. Des. 724,900, which is a continuation-in-part of application No. 29/444,254, filed on Jan. 29, 2013, now Pat. No. Des. 698,612.

(51) **LOC (13) Cl.** **06-07**

(52) **U.S. Cl.**
USPC **D6/310**

(58) **Field of Classification Search**
USPC D7/629; D6/309, 300-308, 310-314; D20/10, 41, 42; D28/64.1, 64.6; 248/349.1, 474, 678; 296/1.11; 359/872, 359/881; 362/135, 144, 492, 560
CPC ... A47G 1/00; A47G 1/02; A47G 1/14; A47G 1/24; A47G 2001/002; A47G 2001/0056; A47G 2001/007; A45D 42/00; A45D 42/10; A45D 42/12; A45D 42/16; A45D 42/24; F21V 21/26; F21V 21/30; F21V

* cited by examiner

Primary Examiner — Mark Booker

(74) *Attorney, Agent, or Firm* — Calfee, Halter & Griswold LLP

(57) **CLAIM**

I claim the ornamental design for a mirror, as shown and described.

DESCRIPTION

FIG. 1 is a front/right/top perspective view of a mirror (a front/left/top perspective view would be a mirror image thereof);

FIG. 2 is a rear/left/bottom perspective view thereof (a rear/right/bottom perspective view would be a mirror image thereof);

FIG. 3 is a front elevational view thereof;

FIG. 4 is a right side elevational view thereof; and,

FIG. 5 is a top plan view thereof.

The dash broken lines shown in the figures represent portions of the mirror that form no part of the claimed design. The dash-dot broken lines represents boundaries to the claimed design and forms no part of the claimed design.

1 Claim, 5 Drawing Sheets

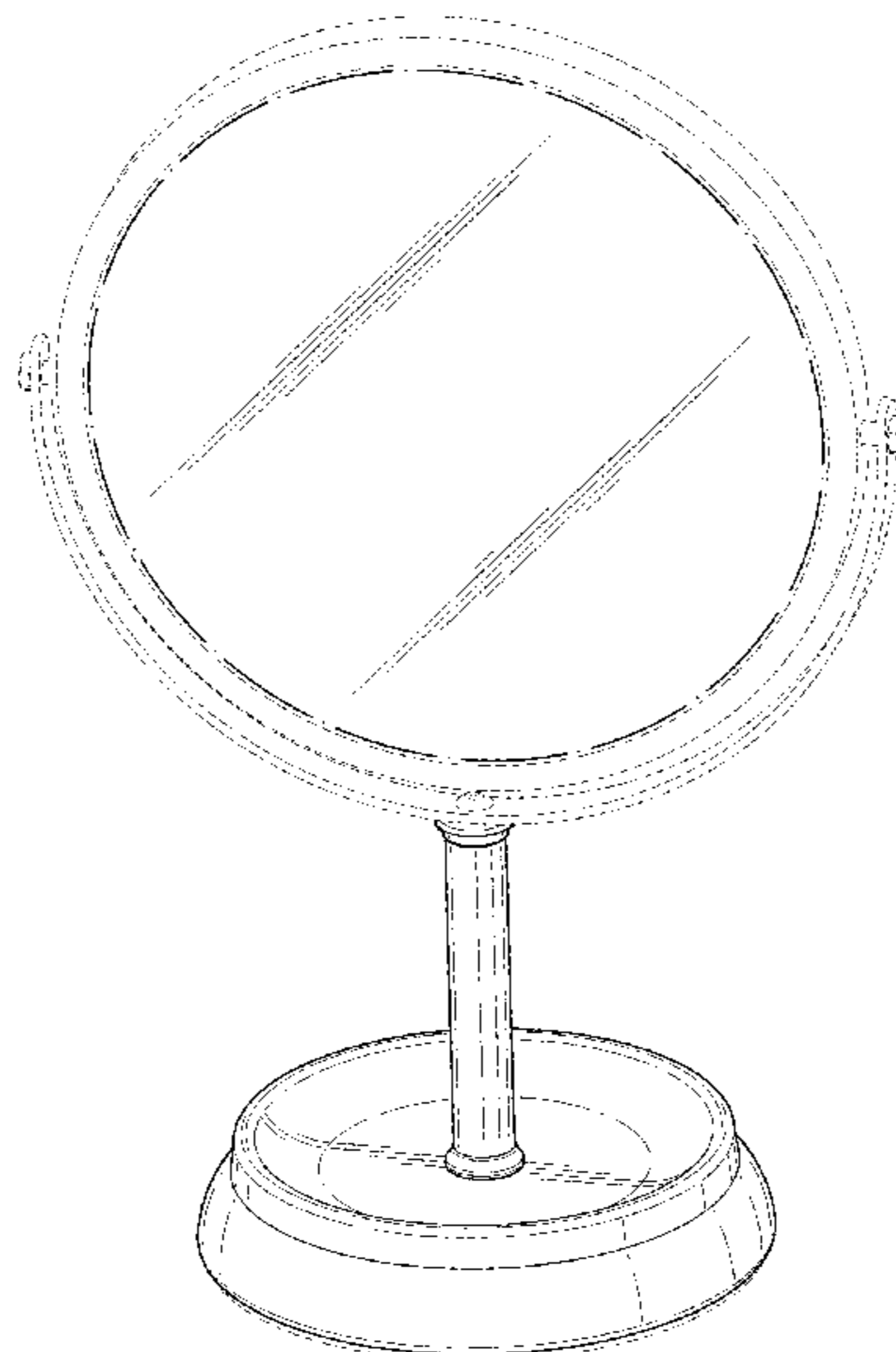


FIG. 1

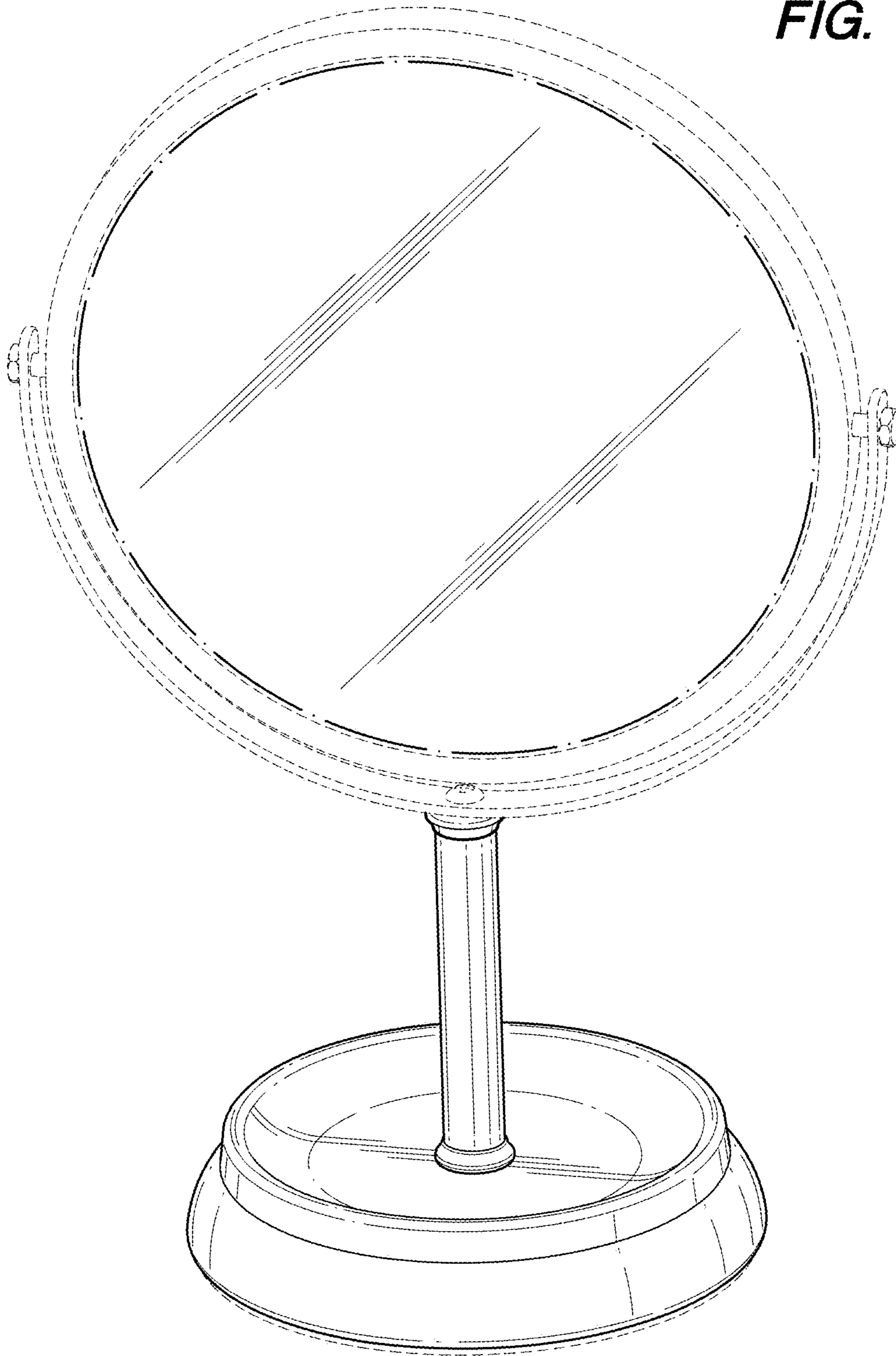


FIG. 2

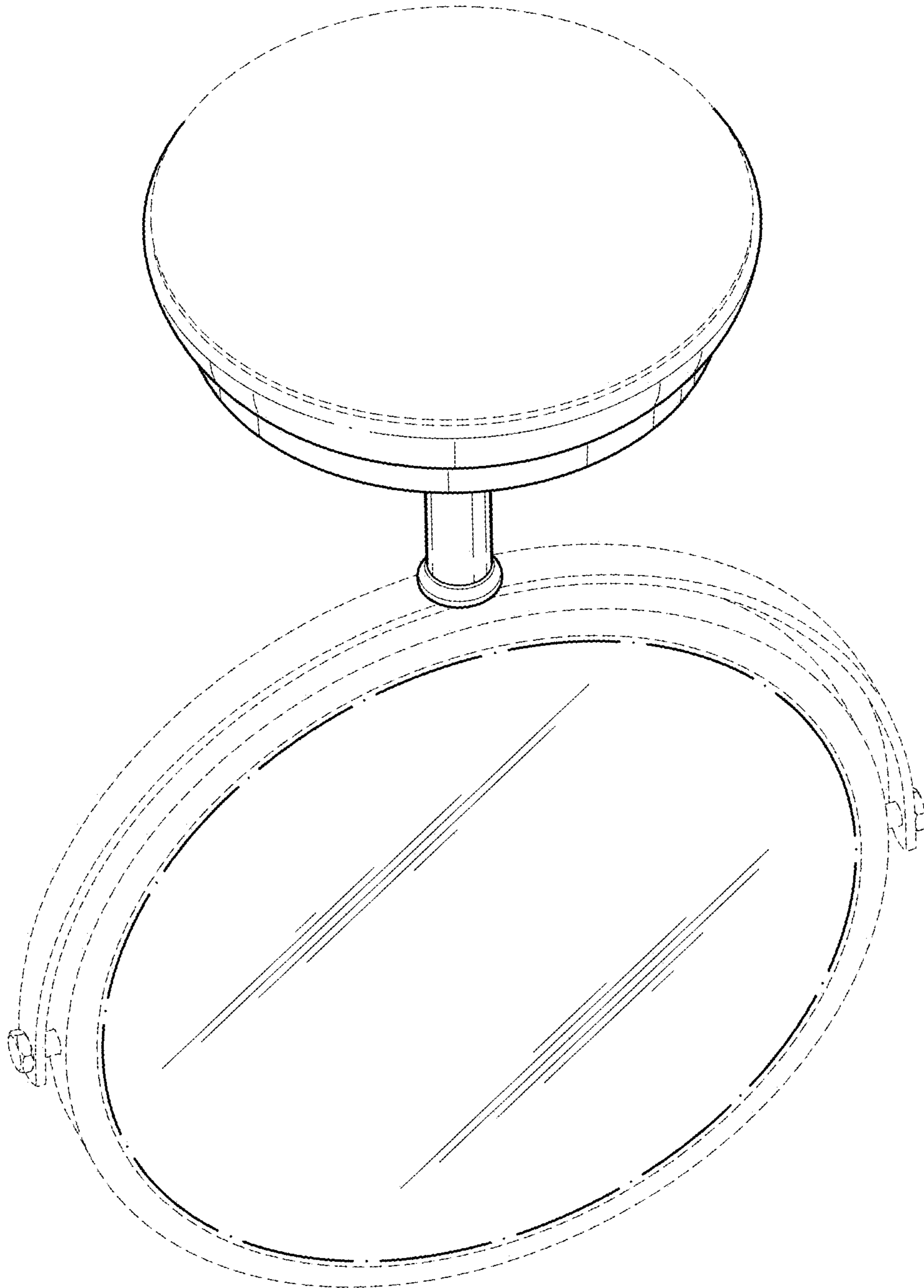


FIG. 3

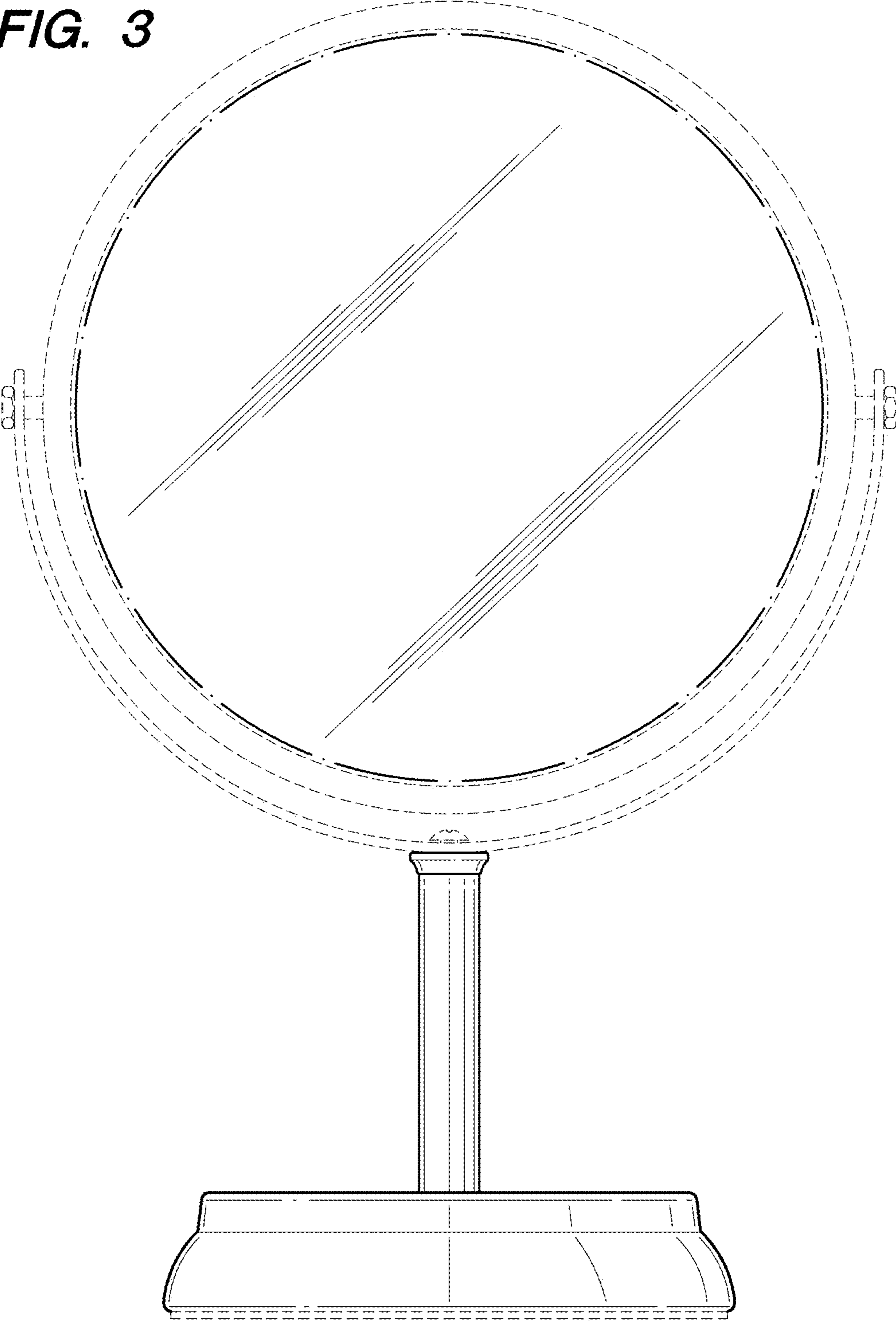


FIG. 4

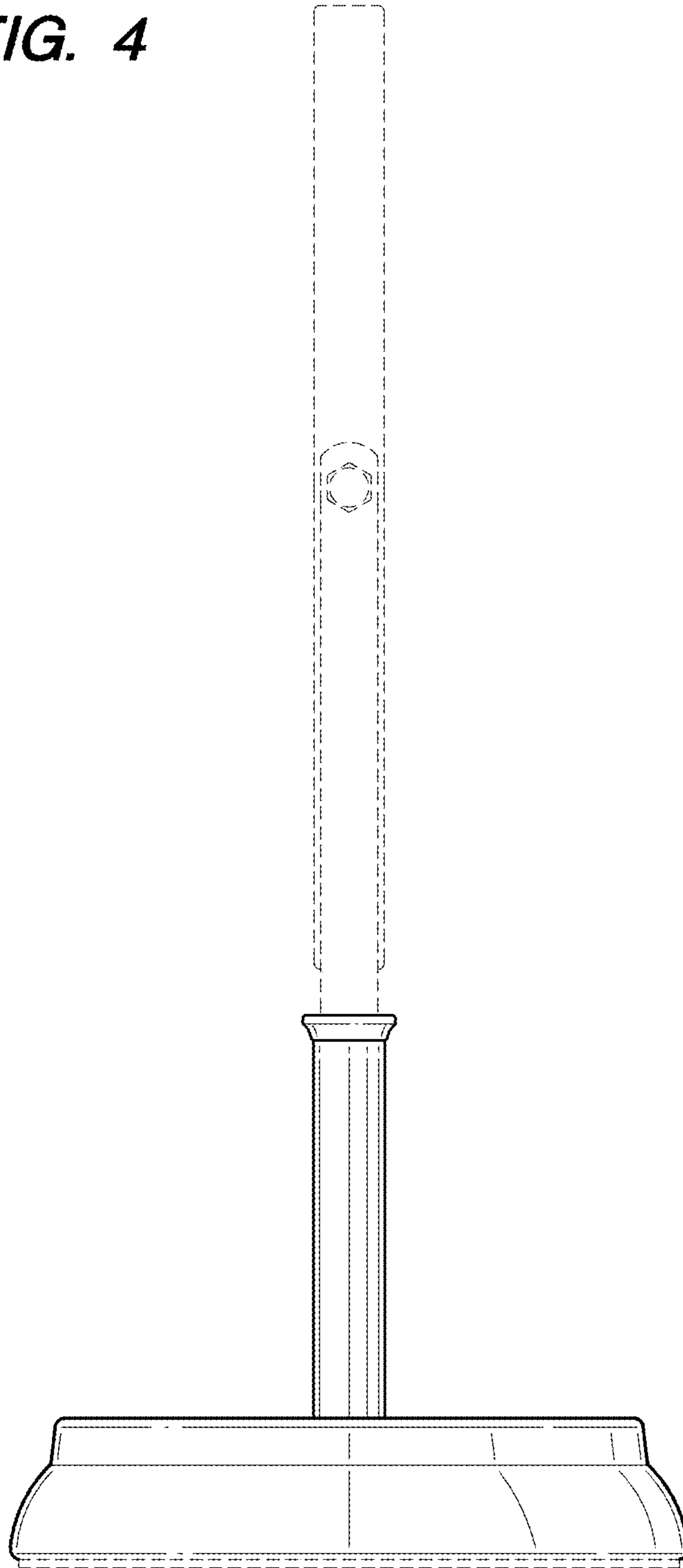


FIG. 5

