



US00D916471S

(12) **United States Design Patent** (10) **Patent No.:** **US D916,471 S**
Jiang (45) **Date of Patent:** **** Apr. 20, 2021**

(54) **DIGITAL PHOTO FRAME**

FOREIGN PATENT DOCUMENTS

(71) Applicant: **SHENZHEN QIUYU ELECTRONIC CO., LTD.**, Shenzhen (CN)

EM 006851663-0001 * 9/2019

(72) Inventor: **Qiuxiong Jiang**, Shenzhen (CN)

OTHER PUBLICATIONS

(73) Assignee: **SHENZHEN QIUYU ELECTRONIC CO., LTD.**, Shenzhen (CN)

Loop Digital Picture Frame [online], [site visited Jul. 1, 2020]. Available from internet, URL:<https://shop.joinloop.com/?utm_source=adwords&utm_medium=cpc&utm_campaign=&utm_term=&gclid=Cj0KCQjw6PD3BRDPARIsAN8pHuGSsJFJY2C34PYCmJuaSfIIQzZtEmFQrmCDLlkjUAK1eTI0HJxJ4jgaAowDEALw_wcB> (Year: 2020).*

(**) Term: **15 Years**

(21) Appl. No.: **29/704,865**

(22) Filed: **Sep. 7, 2019**

Primary Examiner — Cynthia Ramirez

(51) **LOC (13) Cl.** **06-07**

Assistant Examiner — Xavier Marti-Santos

(52) **U.S. Cl.**
USPC **D6/308**

(74) *Attorney, Agent, or Firm* — Law Offices of Steven W. Weinrieb

(58) **Field of Classification Search**

USPC D6/300, 301, 302, 303, 304, 307, 308, D6/309, 310, 311, 312, 313, 314; D10/15, 21, 24; D14/336, 341, 371, 372, D14/374, 381, 382, 448, 450; D20/10, D20/27

(57) **CLAIM**

The ornamental design for a digital photo frame, as shown and described.

CPC A47G 1/0616; A47G 1/142; A47G 2001/0694; A47G 1/06; A47G 1/0605; A47G 1/0633; A47G 1/0638; A47G 1/0644; A47G 1/08; A47G 1/10; A47G 1/14; A47G 1/141; A47G 1/16; A47G 1/1606; A47G 1/1613; A47G 2001/0661; A47G 2001/0672; A47G 2001/0688; A47G 2001/148; G06F 1/1654

DESCRIPTION

See application file for complete search history.

FIG. 1 is a front, right side, top perspective view of a digital photo frame showing my new design; FIG. 2 is a rear, left side, bottom perspective view thereof; FIG. 3 is a front elevational view thereof; FIG. 4 is a rear elevational view thereof; FIG. 5 is a left side elevational view thereof; FIG. 6 is a right side elevational view thereof; FIG. 7 is a top plan view thereof; FIG. 8 is a bottom plan view thereof; FIG. 9 is an enlarged view of the encircled region 9 shown in FIG. 3; and, FIG. 10 is an enlarged view of the encircled region 10 shown in FIG. 4.

The broken lines in the figures are for the purpose of illustrating portions of the digital photo frame, which form no part of the claimed design.

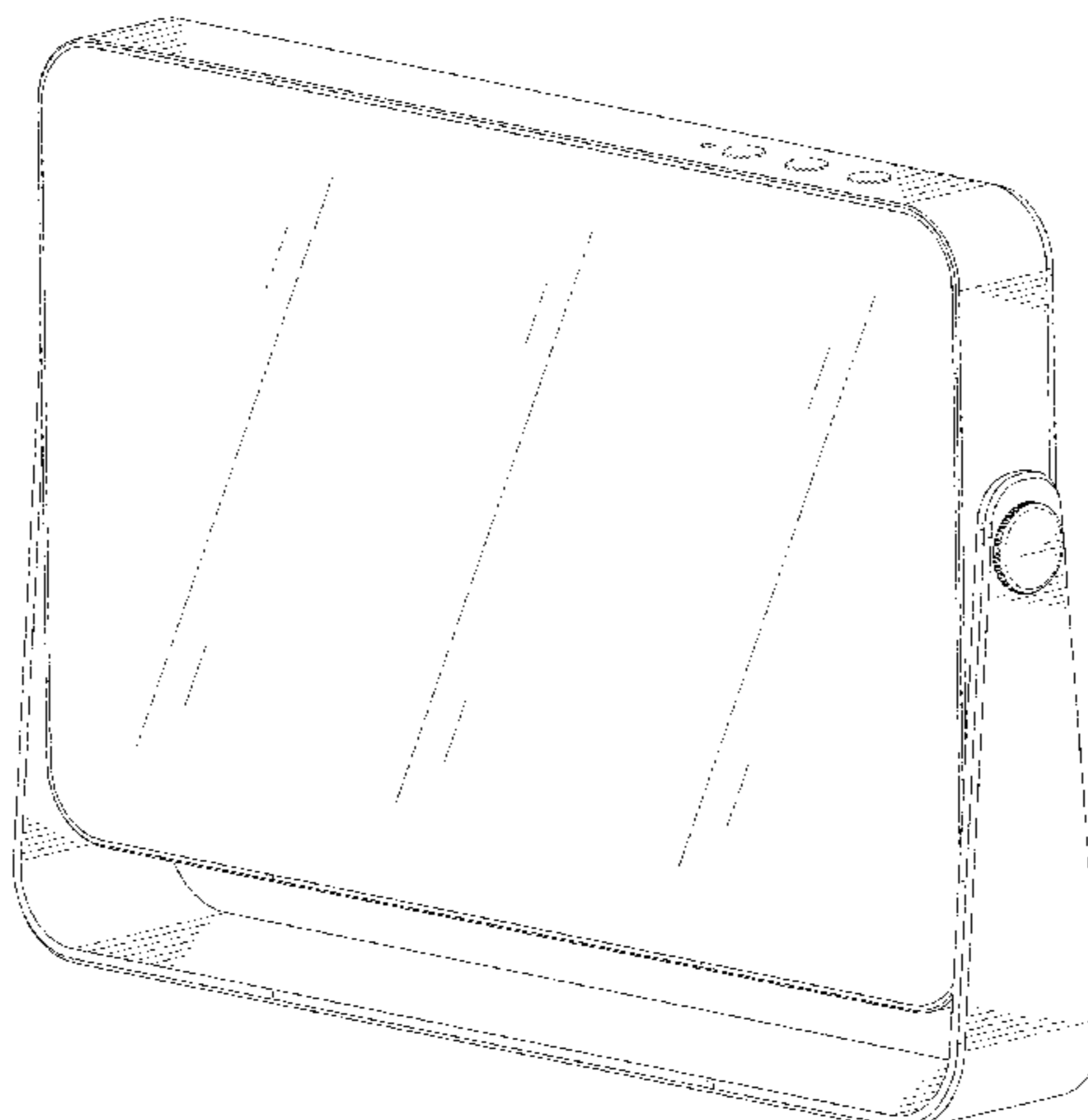
(56) **References Cited**

U.S. PATENT DOCUMENTS

D228,422 S	*	9/1973	Stahl	D6/308
D229,364 S	*	11/1973	Sven-Eric	D34/6
D254,830 S	*	4/1980	Wachtel	D6/312
D276,012 S	*	10/1984	Westcott	D6/301
D402,122 S	*	12/1998	Grant	D6/312
D500,037 S	*	12/2004	Ozolins	D14/375
D585,399 S	*	1/2009	Hwang	D14/130
D600,455 S	*	9/2009	Nell	D14/371

(Continued)

1 Claim, 10 Drawing Sheets



(56)

References Cited

U.S. PATENT DOCUMENTS

D697,910 S	*	1/2014	Bianco	D14/336
D803,218 S	*	11/2017	Zhou	D14/420
D839,264 S	*	1/2019	Nagano	D14/301
D850,430 S	*	6/2019	Wu	D14/240

* cited by examiner

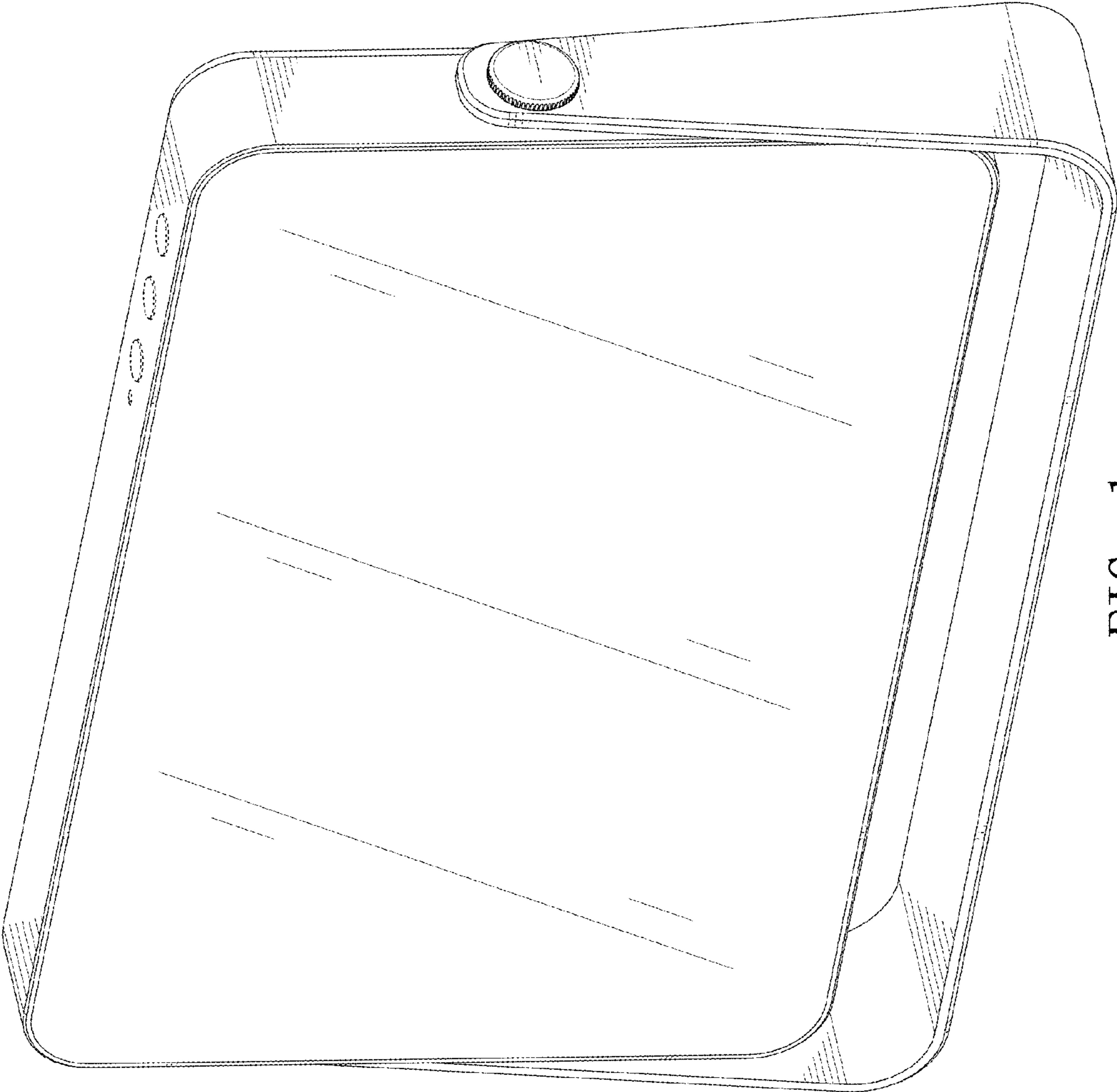


FIG. 1

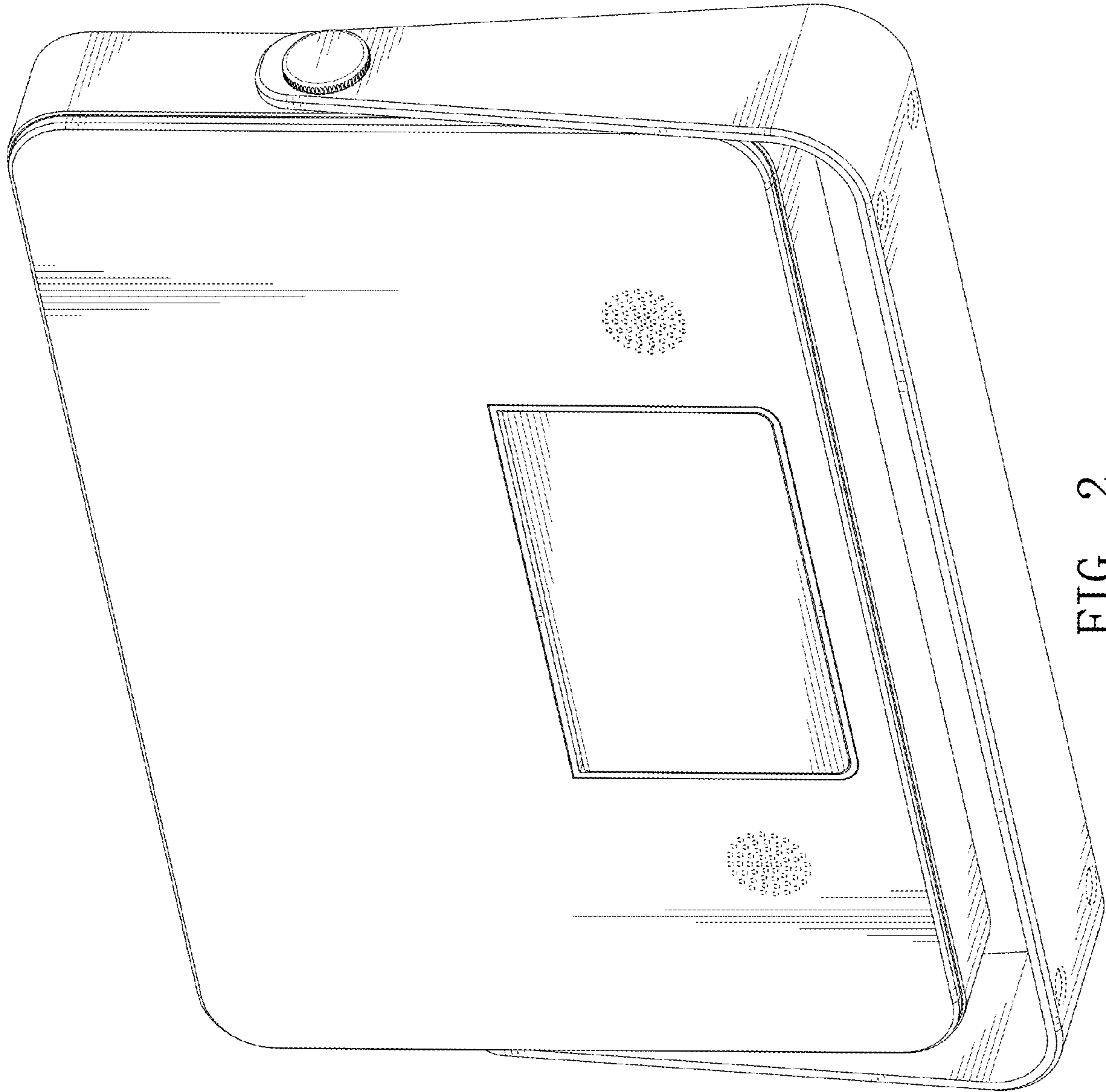


FIG. 2

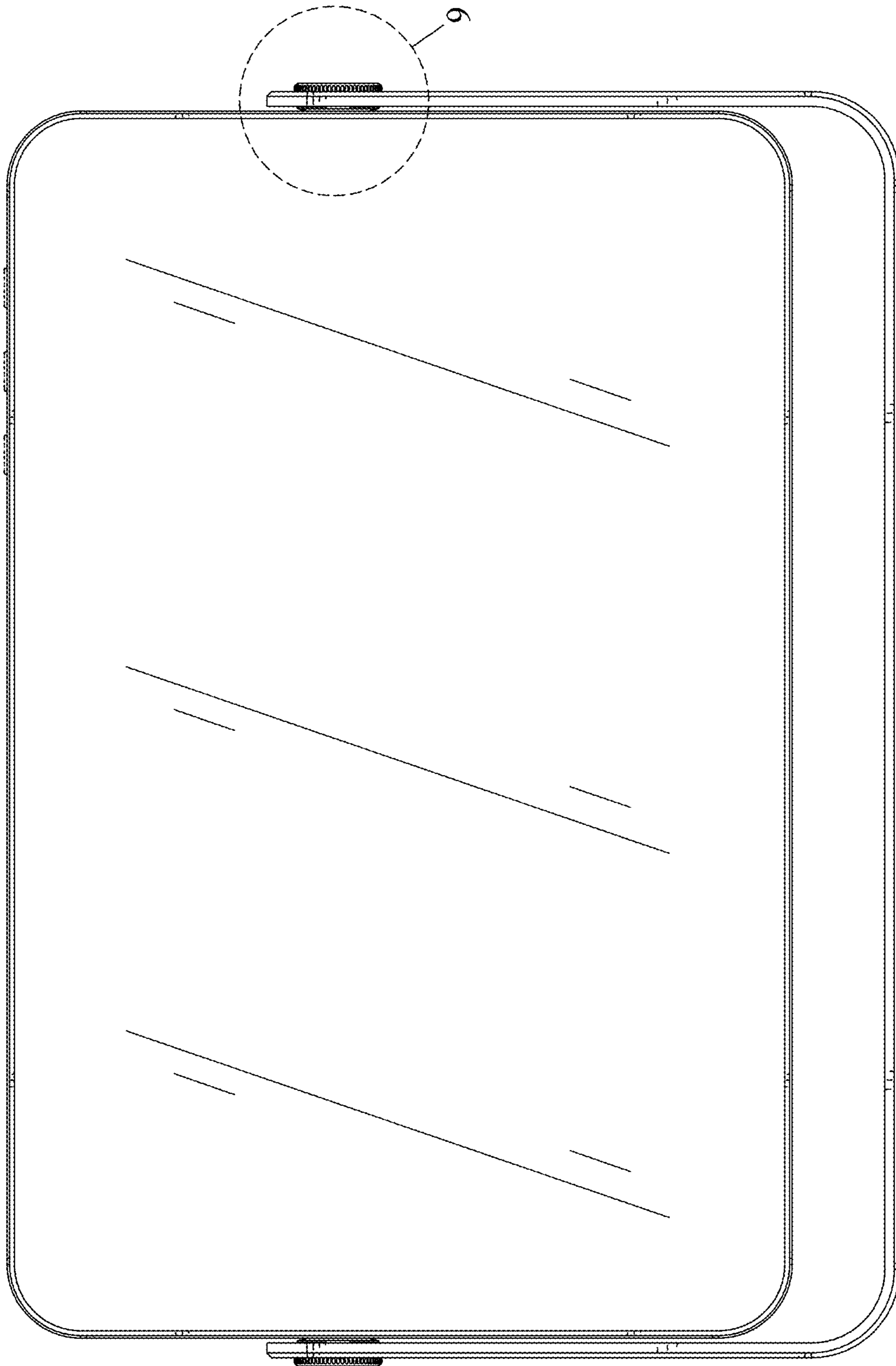


FIG. 3

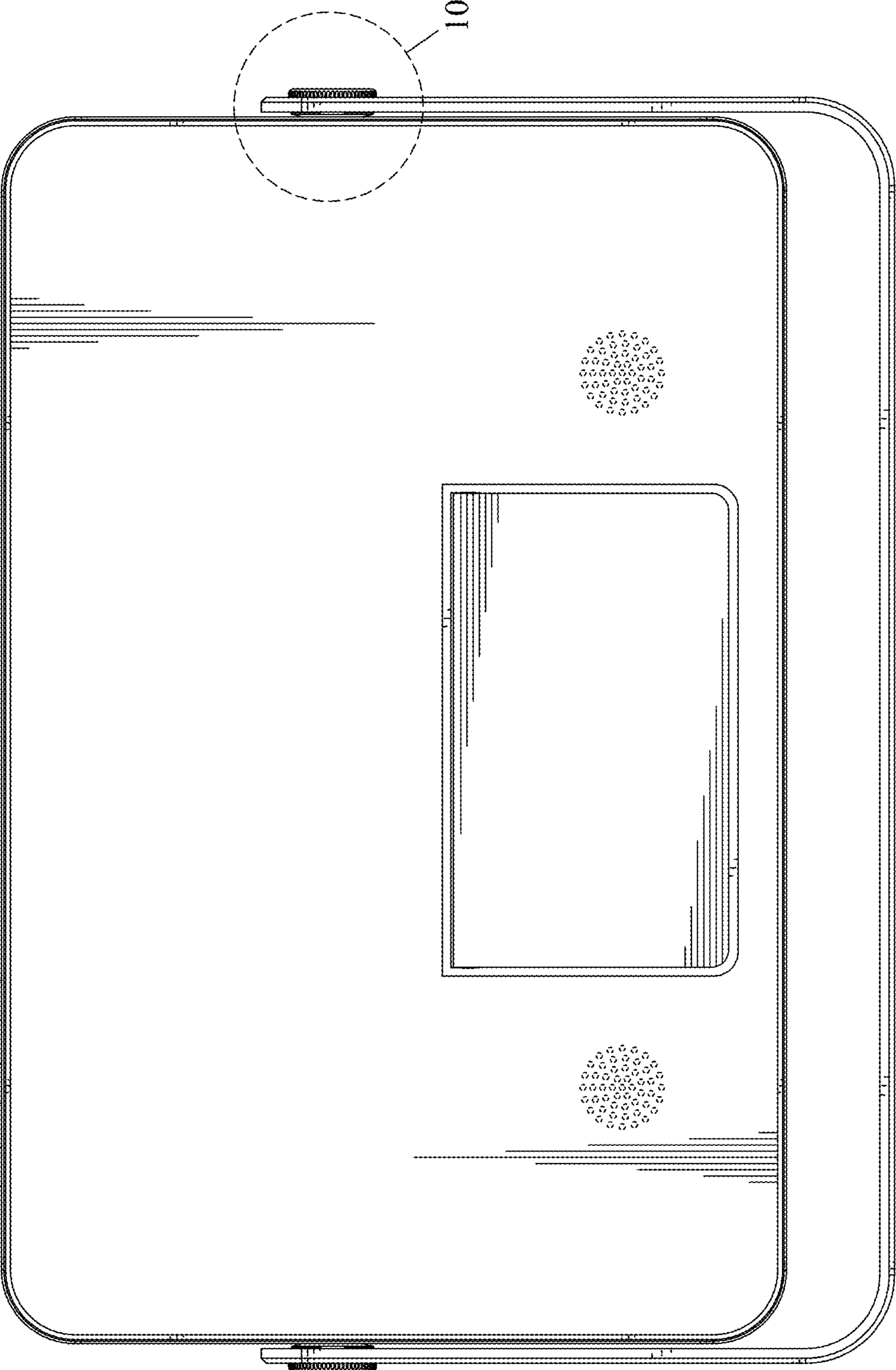


FIG. 4

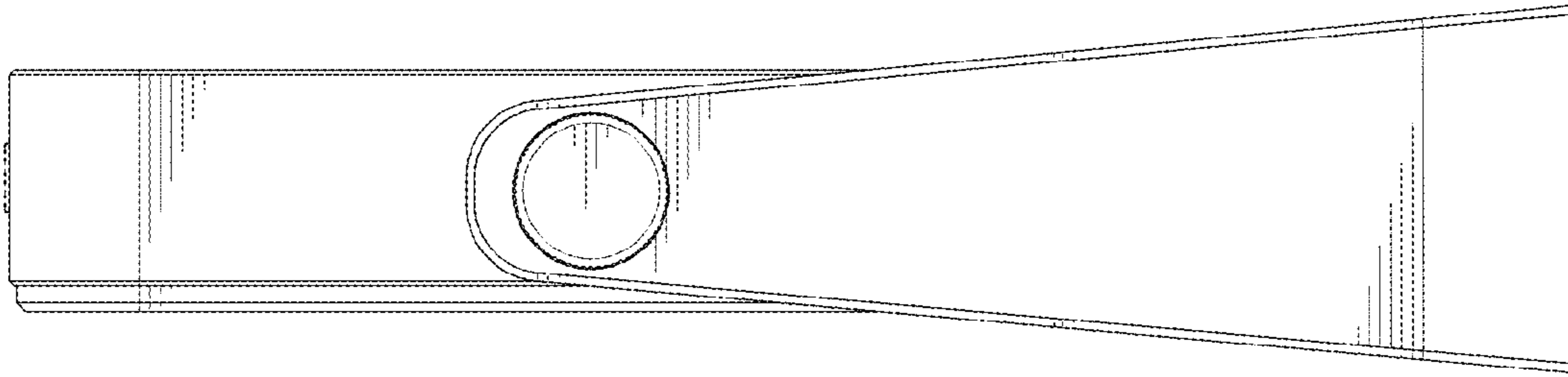


FIG. 5

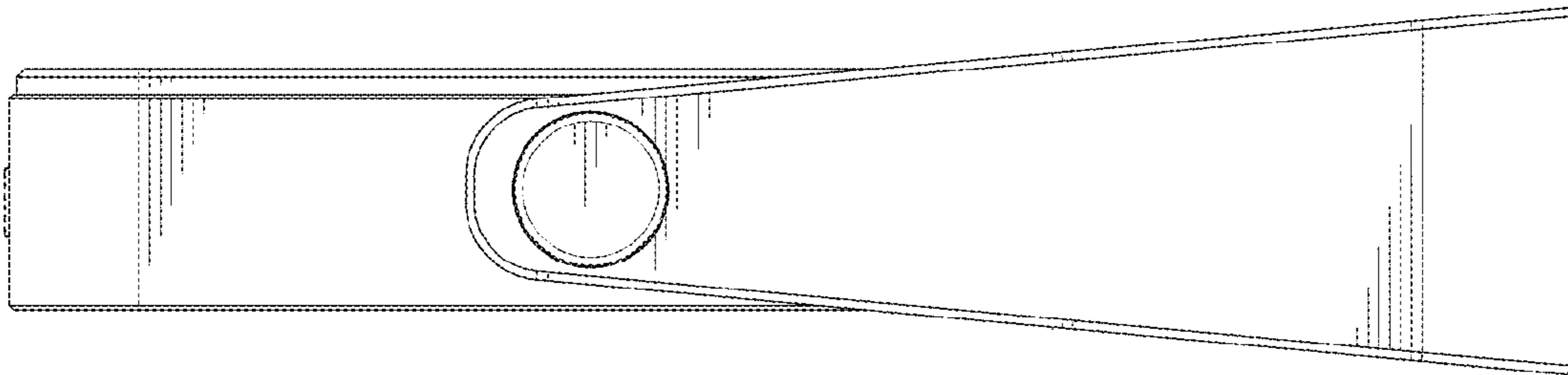


FIG. 6

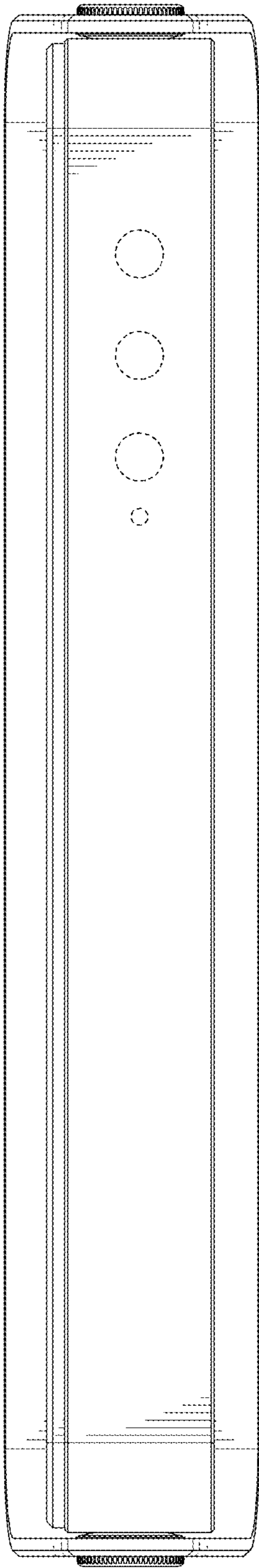


FIG. 7

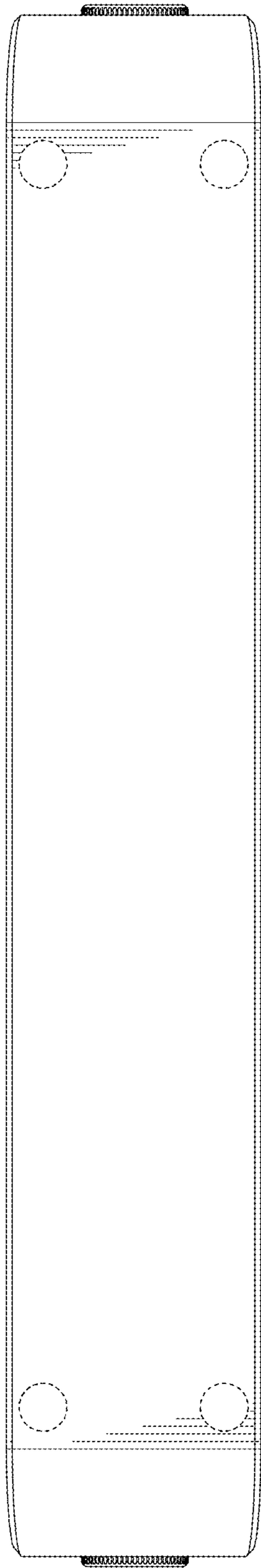


FIG. 8

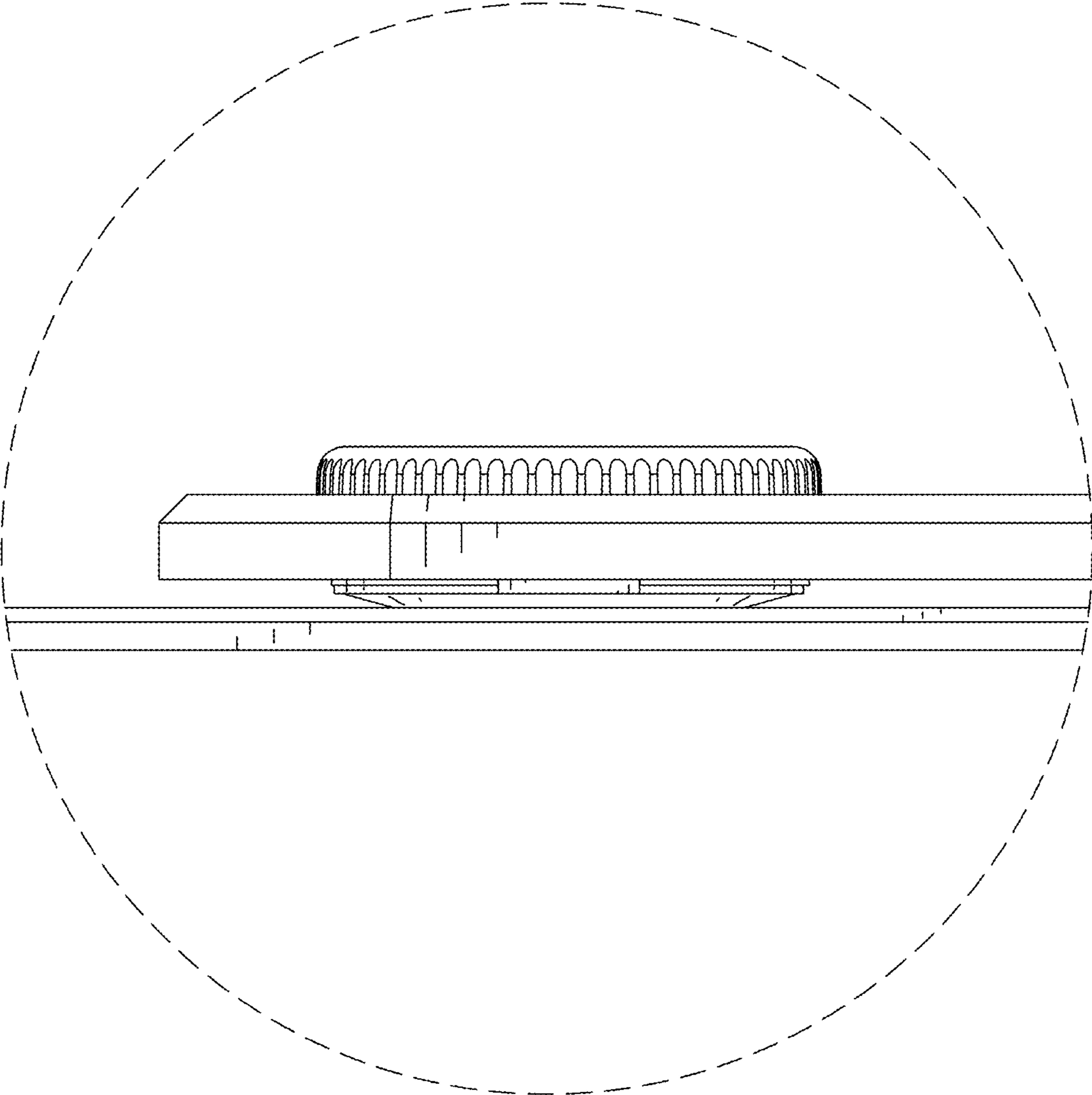


FIG. 9

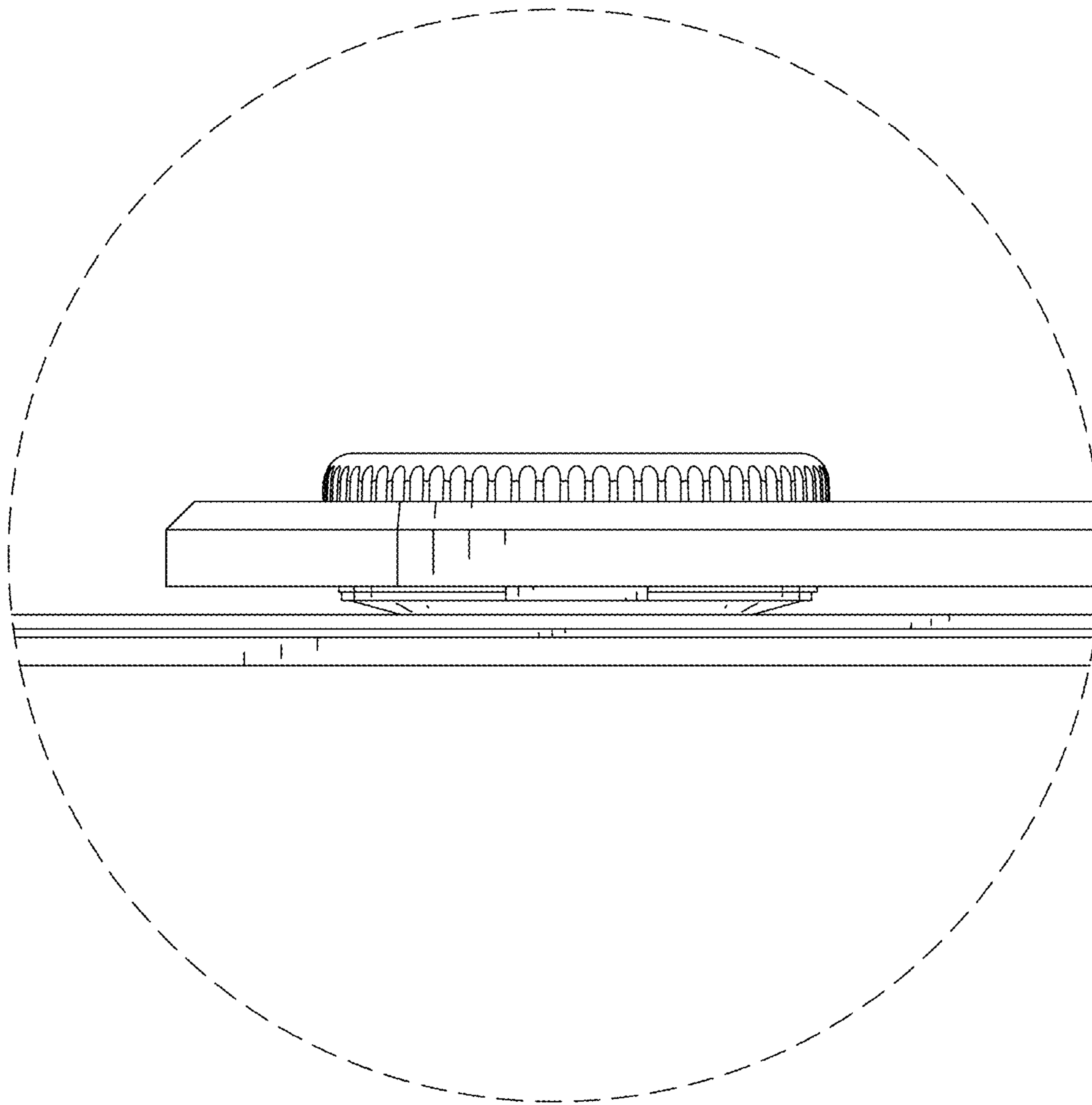


FIG. 10