



US00D916464S

(12) **United States Design Patent** (10) **Patent No.:** **US D916,464 S**  
**Tsai et al.** (45) **Date of Patent:** **\*\* Apr. 20, 2021**

- (54) **SUITCASE INSERT**
- (71) Applicant: **PRIMA USA TRAVEL INC,**  
Commerce, CA (US)
- (72) Inventors: **Kevin Tsai,** Commerce, CA (US);  
**Nelson Jung,** Commerce, CA (US)
- (73) Assignee: **PRIMA USA TRAVEL INC,**  
Commerce, CA (US)
- (\*\*) Term: **15 Years**
- (21) Appl. No.: **29/720,098**
- (22) Filed: **Jan. 9, 2020**
- (51) **LOC (13) Cl.** ..... **03-01**
- (52) **U.S. Cl.**  
USPC ..... **D3/318**
- (58) **Field of Classification Search**  
USPC ..... D3/232, 303, 310, 318–320; D7/703;  
D9/456, 737  
CPC ..... A45C 13/02; A45C 2013/026; A45C  
2200/20; B65D 77/04  
See application file for complete search history.

(56) **References Cited**

U.S. PATENT DOCUMENTS

D263,176	S	*	3/1982	Harrington	.....	D3/285
D266,147	S	*	9/1982	McIntosh	.....	D9/751
D280,976	S	*	10/1985	Diamond	.....	D9/456
6,779,665	B2	*	8/2004	Bolanos	.....	A61B 10/0096 206/569
D636,676	S	*	4/2011	Gebbia	.....	D9/456
D723,279	S	*	3/2015	Wax	.....	D3/318
D746,061	S	*	12/2015	Wax	.....	D3/318
D746,595	S	*	1/2016	Wax	.....	D3/318
D752,346	S		3/2016	Wax		
D796,204	S	*	9/2017	Wax	.....	D3/318
D857,393	S	*	8/2019	Wax	.....	D3/318

D863,954	S	*	10/2019	Eckart	.....	D9/423
2009/0050429	A1	*	2/2009	Adams, Jr.	.....	A45C 13/02 190/109
2015/0047941	A1	*	2/2015	Wax	.....	A45C 5/03 190/18 A
2015/0150348	A1	*	6/2015	Wax	.....	A45C 5/03 190/18 A
2018/0153281	A1	*	6/2018	Contag	.....	A45D 29/20
2019/0373993	A1	*	12/2019	Wax	.....	A45C 5/14
2020/0221842	A1	*	7/2020	Navarrete	.....	A45C 13/007
2020/0390210	A1	*	12/2020	Tsai	.....	A45C 13/02

\* cited by examiner

*Primary Examiner* — Jennifer L Watkins  
*Assistant Examiner* — Samantha Lynne Brodowski  
(74) *Attorney, Agent, or Firm* — Innovation Capital Law Group, LLP; Vic Lin

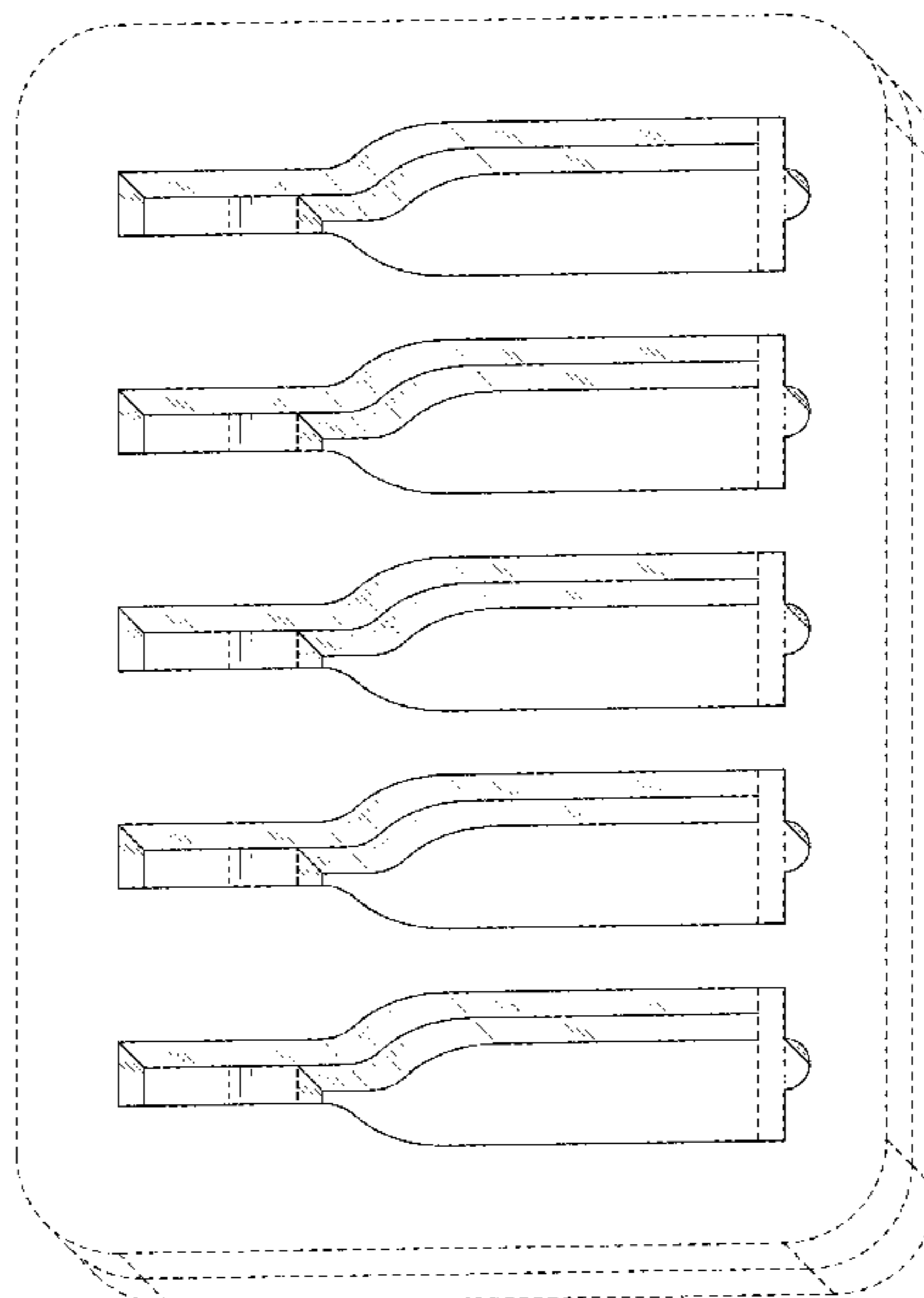
(57) **CLAIM**

The ornamental design for a suitcase insert, as shown and described.

**DESCRIPTION**

FIG. 1 is a top plan view of a suitcase insert;  
FIG. 2 is a bottom plan view thereof;  
FIG. 3 is a front elevation view thereof;  
FIG. 4 is a rear elevation view thereof;  
FIG. 5 is a left elevation view thereof;  
FIG. 6 is a right elevation view thereof;  
FIG. 7 is an exploded top perspective view thereof with the bracket indicating the association of elements;  
FIG. 8 is an exploded bottom perspective view thereof with the bracket indicating the association of elements;  
FIG. 9 is a top perspective view thereof; and,  
FIG. 10 is a bottom perspective view thereof.  
The broken lines depict portions of the article that form no part of the claim.

**1 Claim, 8 Drawing Sheets**



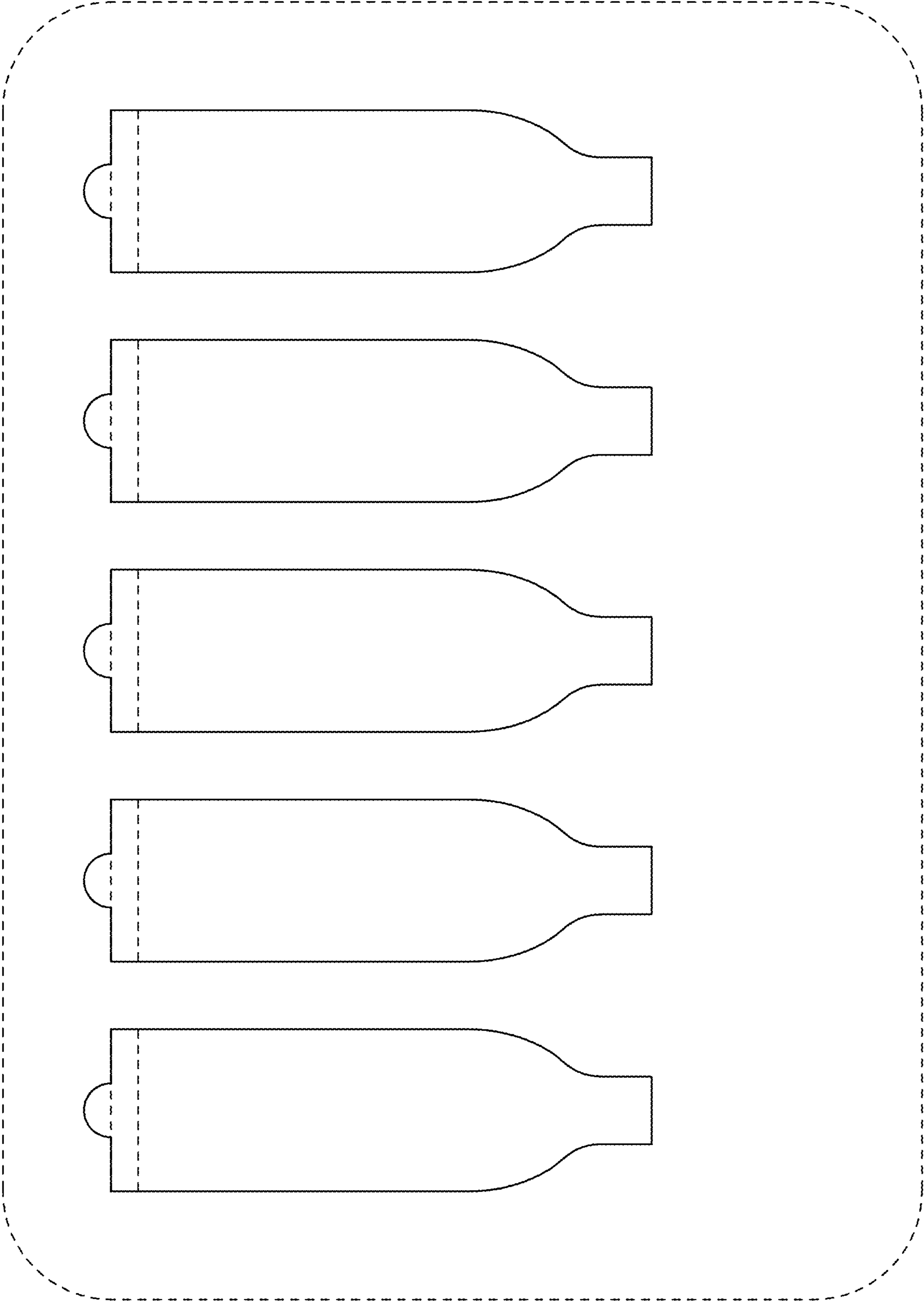


FIG. 1

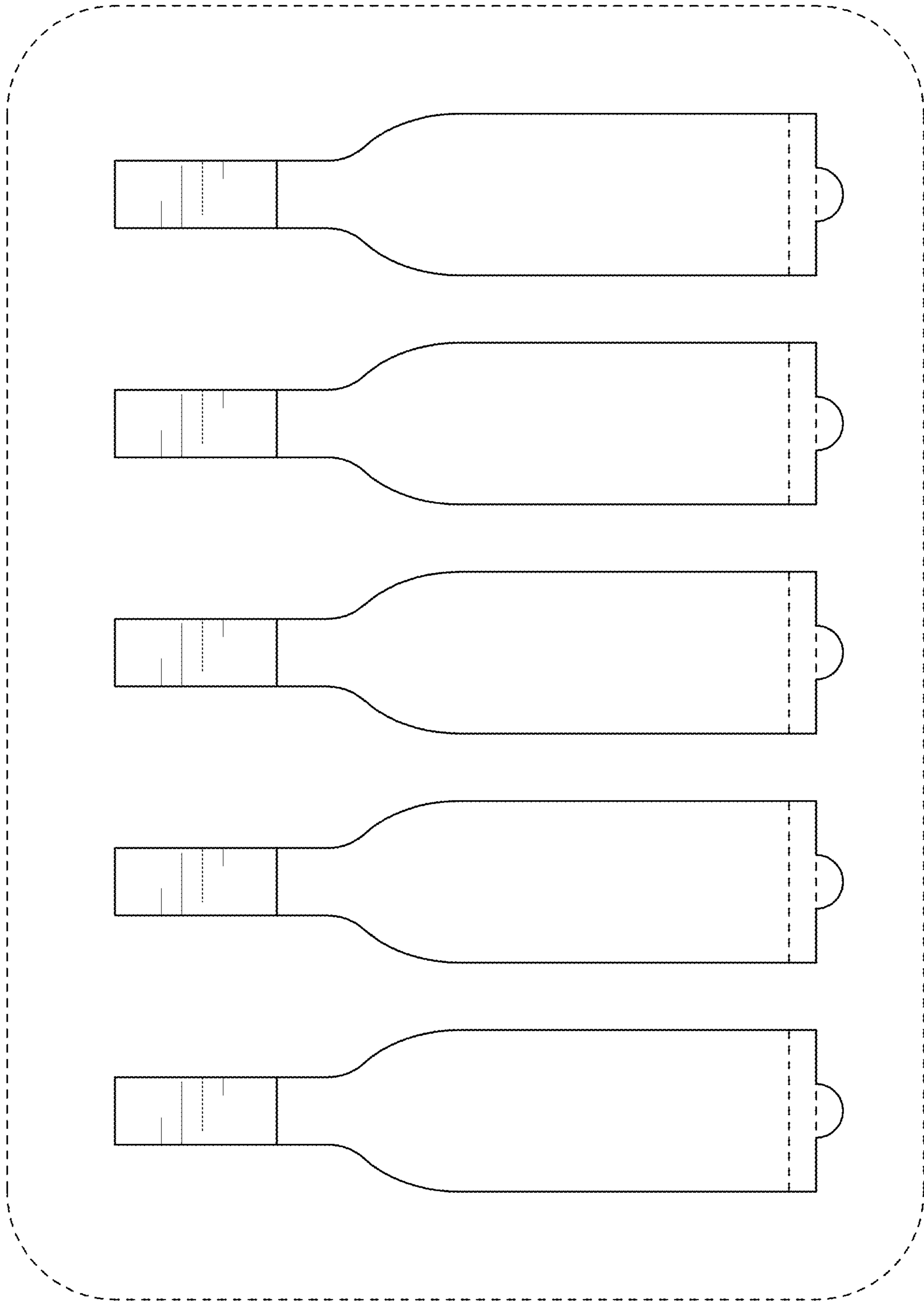


FIG. 2

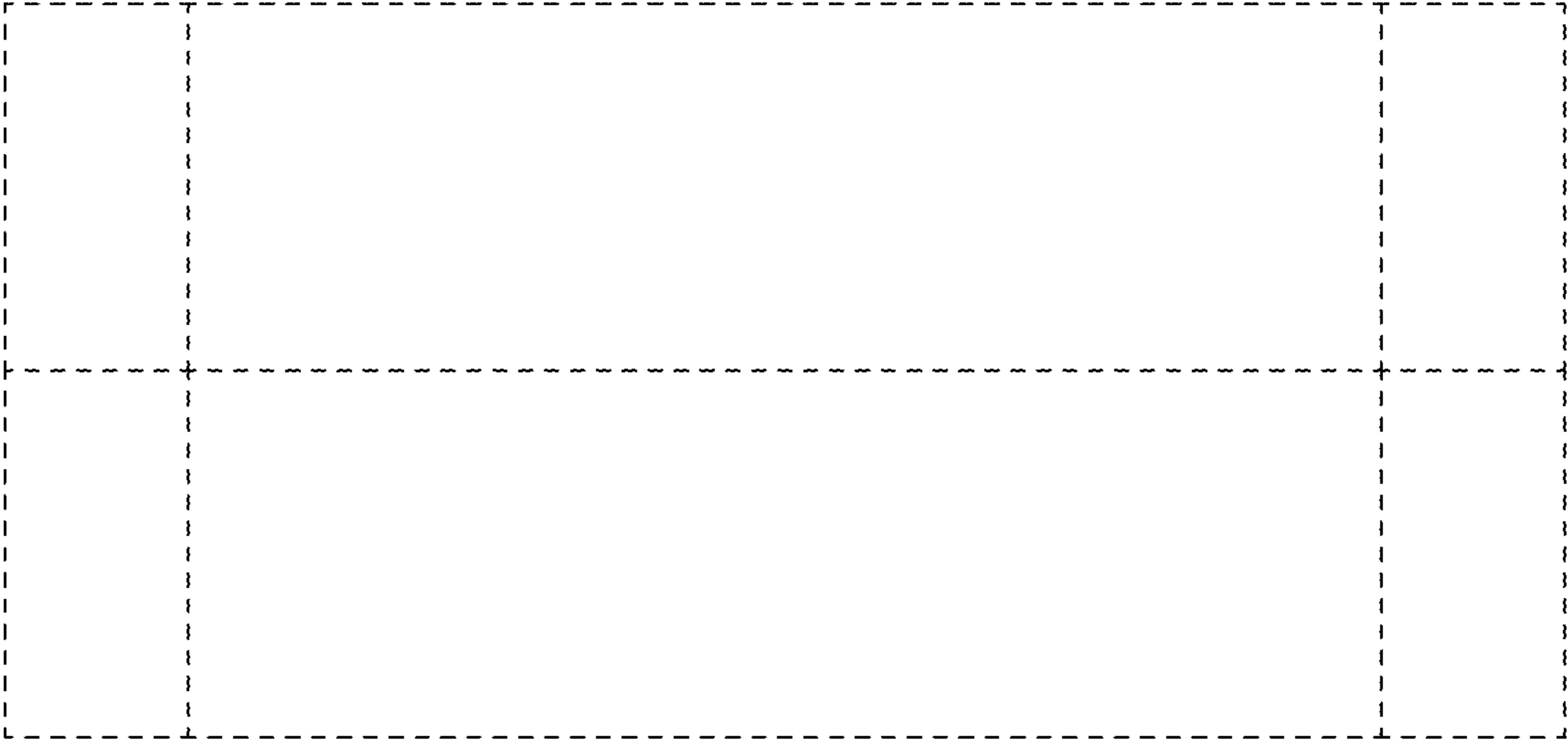


FIG. 3

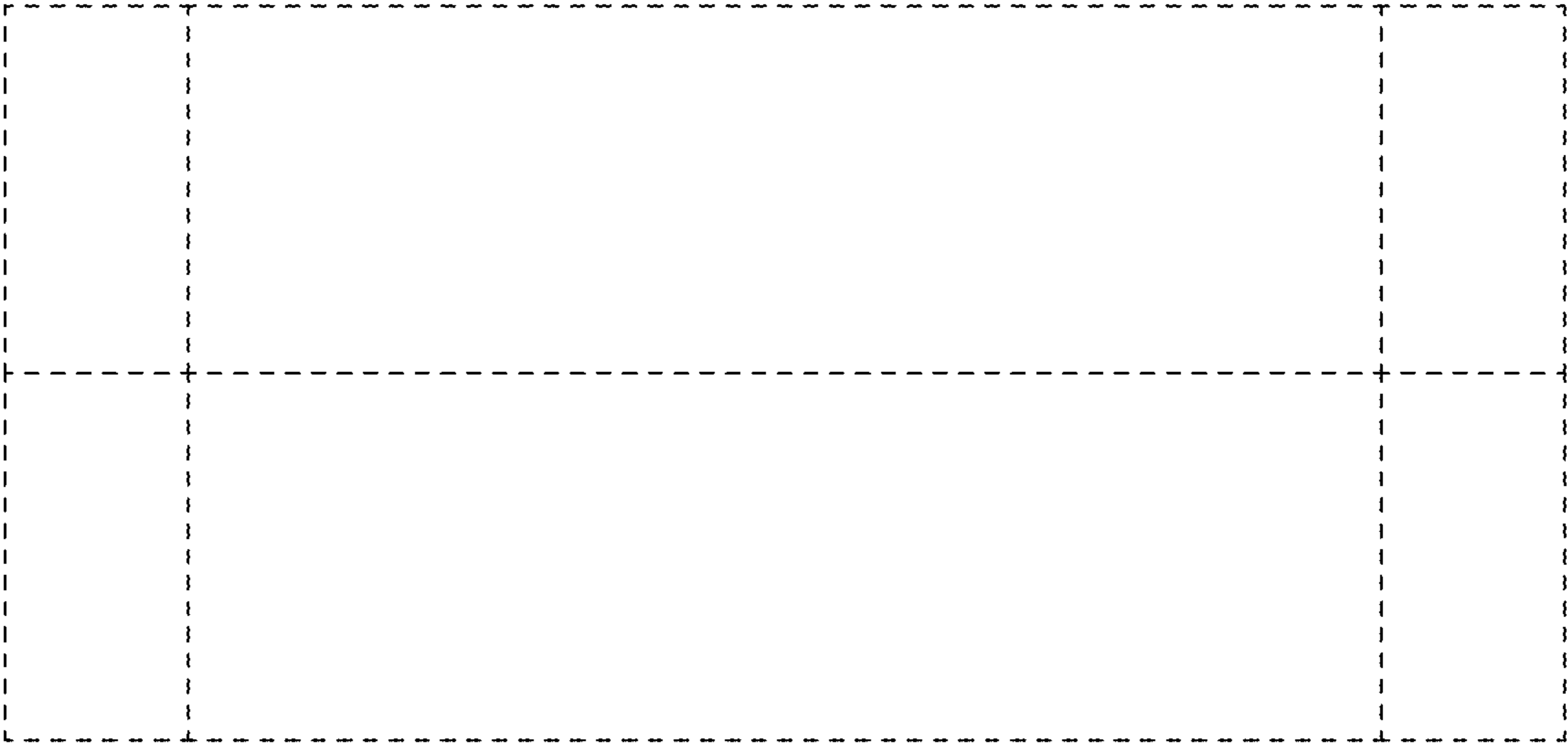


FIG. 4

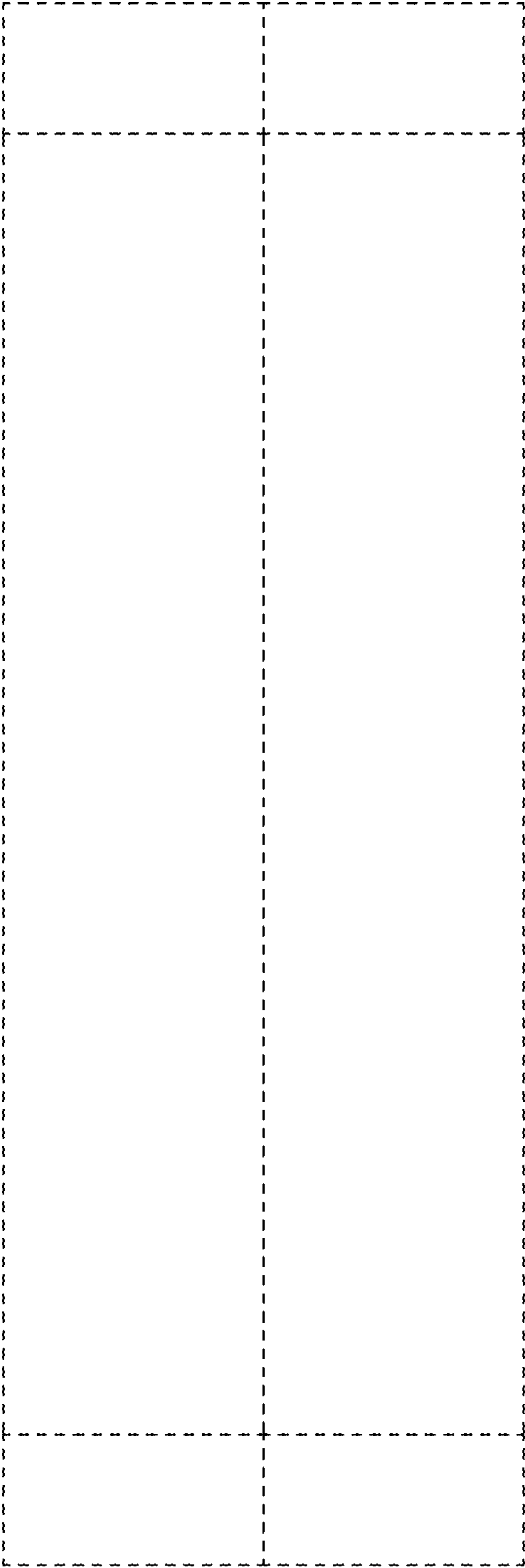


FIG. 5

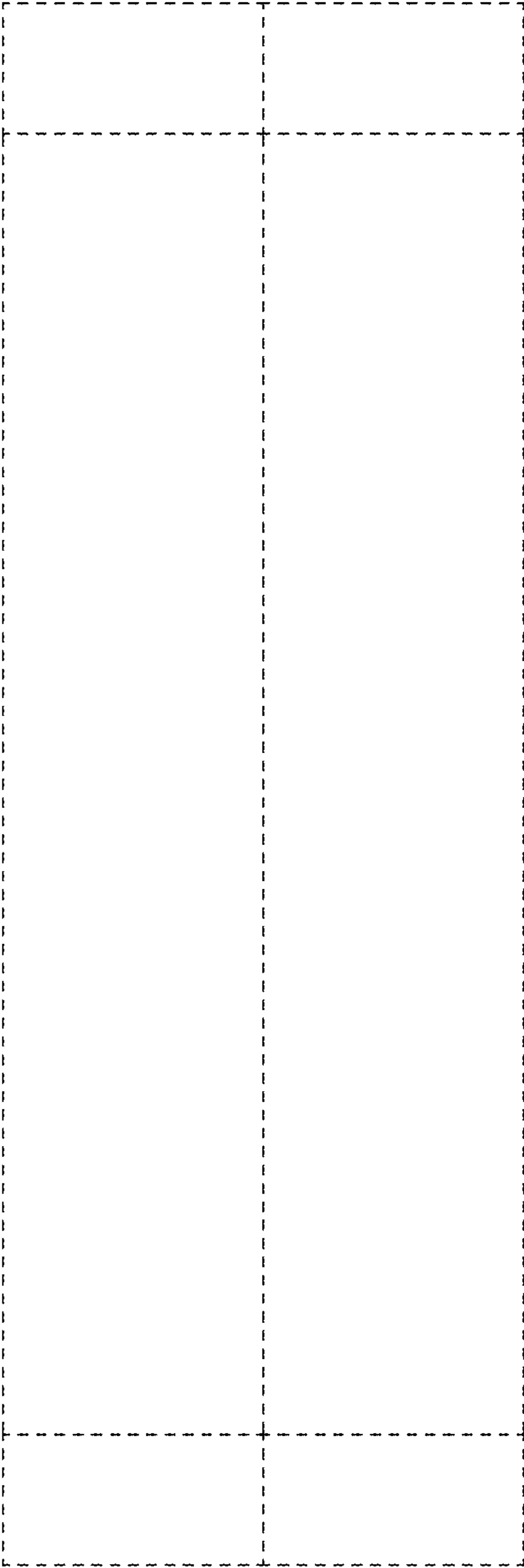


FIG. 6

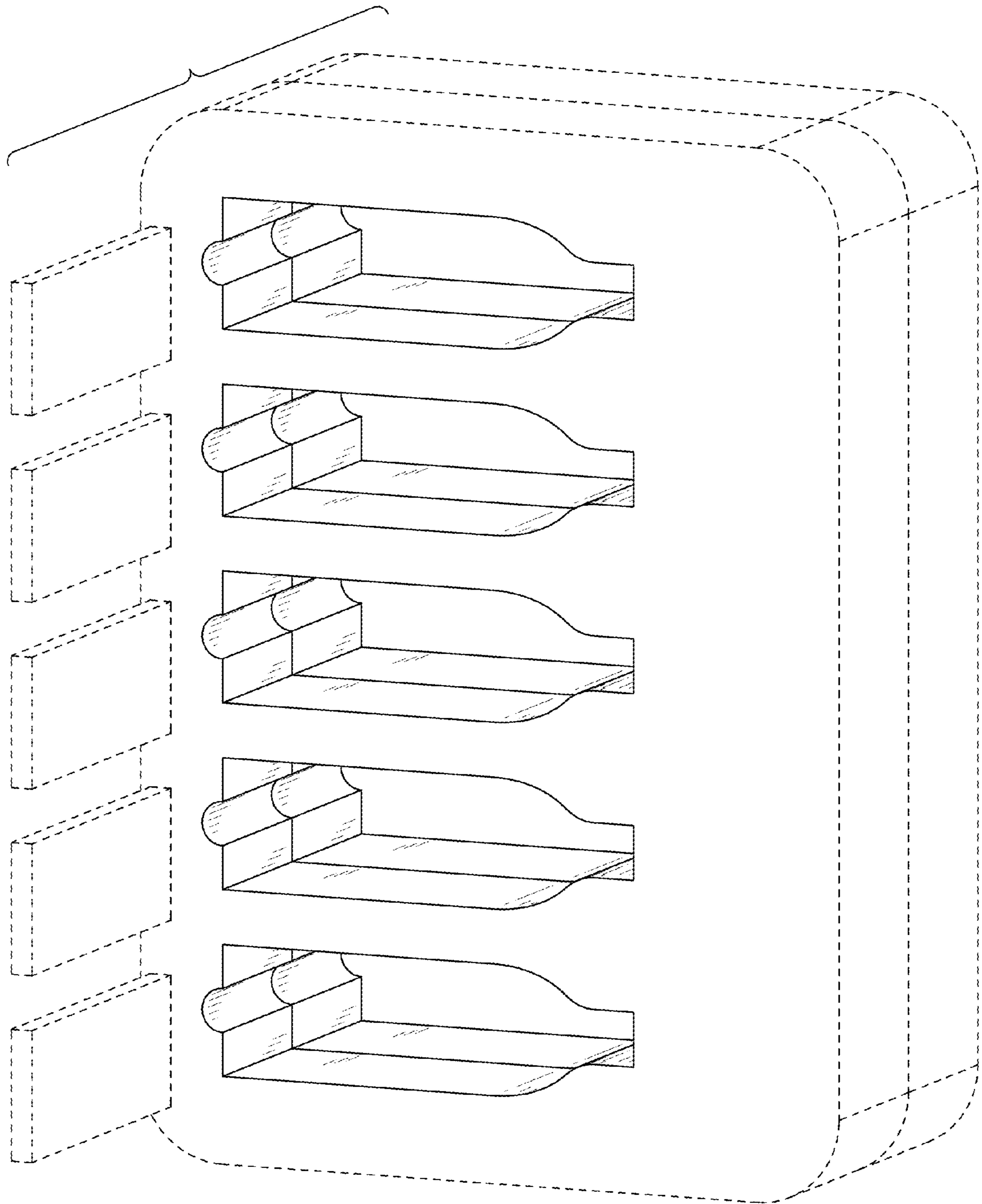


FIG. 7

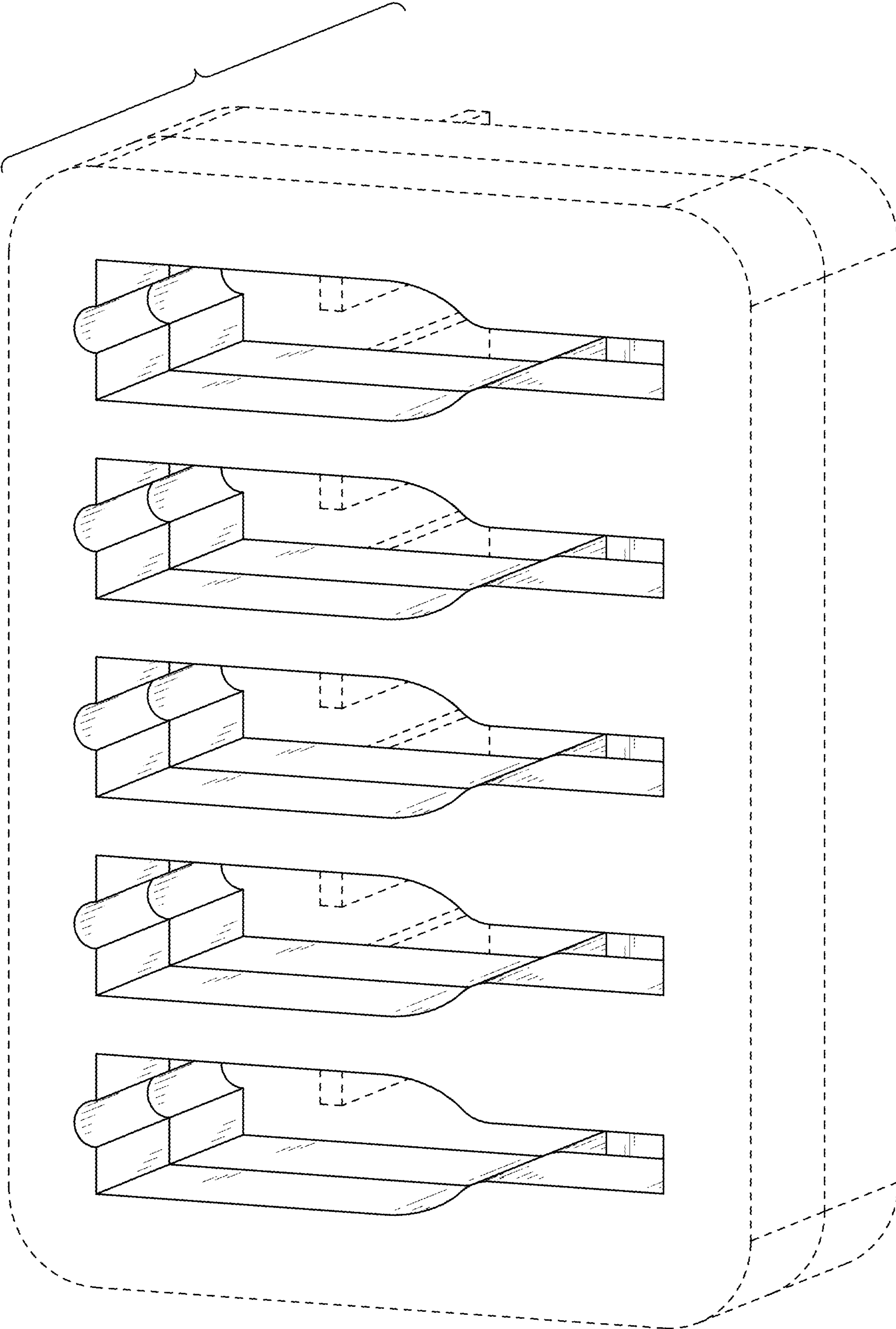


FIG. 8

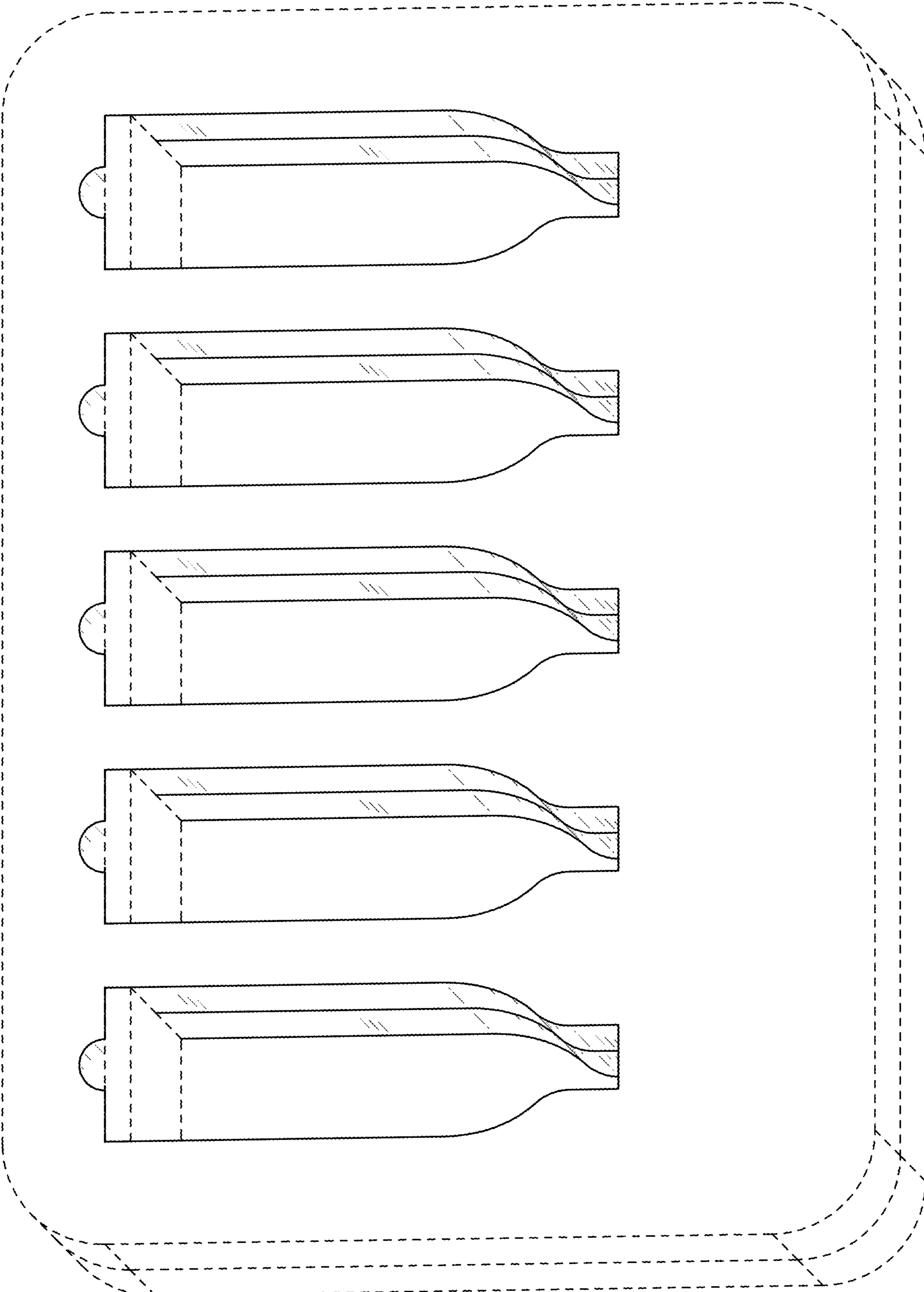


FIG. 9



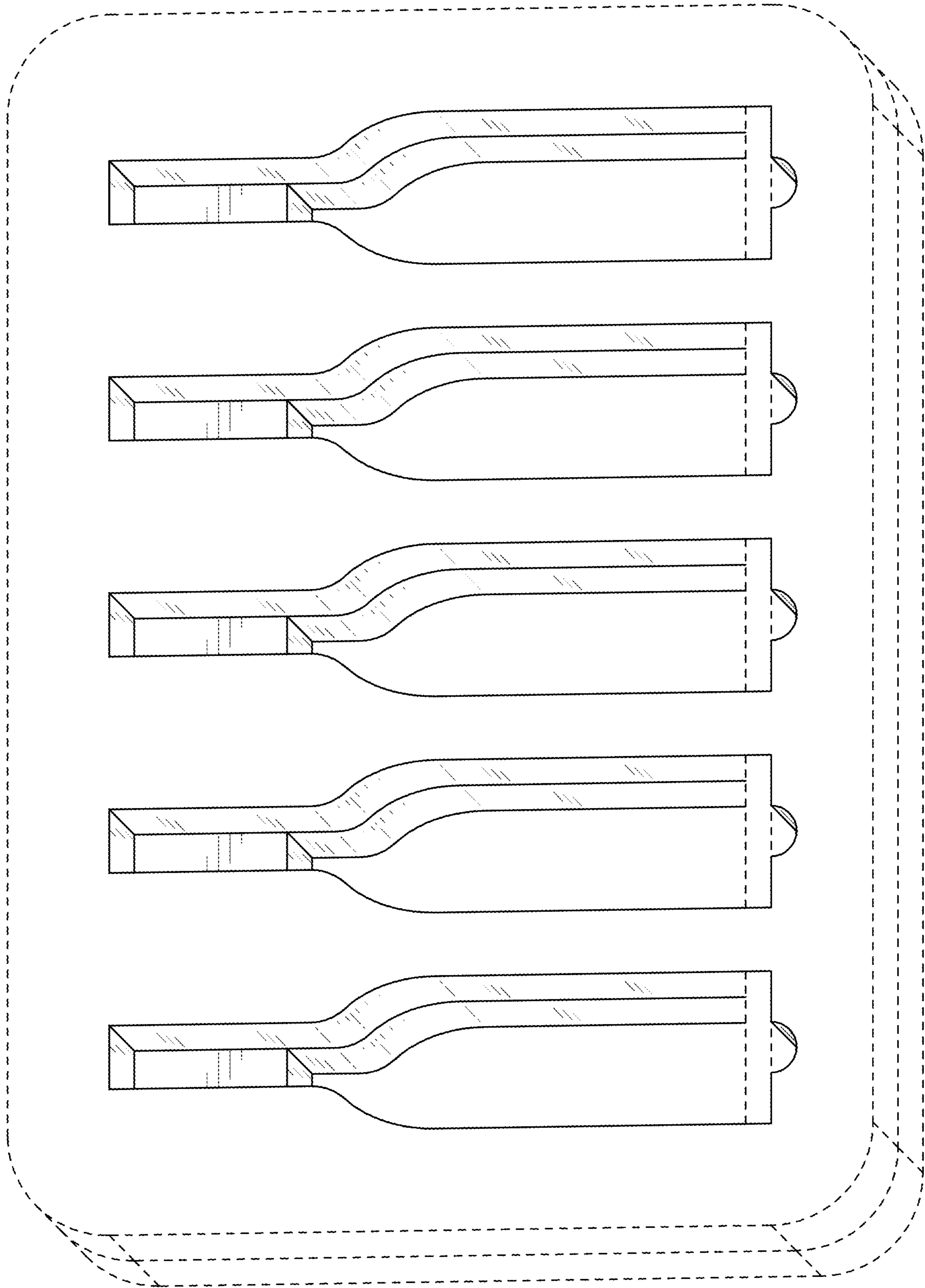


FIG. 10