



US00D916457S

(12) **United States Design Patent**  
**Schmidt**

(10) **Patent No.:** **US D916,457 S**  
(45) **Date of Patent:** **\*\* Apr. 20, 2021**

(54) **BEACH BAG**  
(71) Applicant: **Build A Bagg LLC**, Wyckoff, NJ (US)  
(72) Inventor: **Kevin Schmidt**, Wyckoff, NJ (US)  
(73) Assignee: **BUILD A BAGG LLC**, Wyckoff, NJ (US)  
(\*\*) Term: **15 Years**

D765,398 S \* 9/2016 Vaccarella ..... A45C 3/04  
D3/304  
D773,813 S \* 12/2016 Jakubowski ..... D3/246  
D813,531 S \* 3/2018 Santo Domingo ..... D3/232  
D822,382 S \* 7/2018 Romano ..... D3/246  
D845,628 S \* 4/2019 Hollinger ..... D3/318  
D851,404 S \* 6/2019 Seiders ..... D3/318  
D858,983 S \* 9/2019 Dumas ..... D3/246  
D871,056 S \* 12/2019 Babuka ..... D3/216  
D878,750 S \* 3/2020 Dehmoubed ..... D3/246  
D881,577 S \* 4/2020 Gibson ..... D3/318  
2012/0328220 A1\* 12/2012 Kayata ..... A45C 3/10  
383/40  
2019/0328092 A1\* 10/2019 Gomez-Morillo ..... A45C 5/02

(21) Appl. No.: **29/701,234**

(22) Filed: **Aug. 9, 2019**

(51) **LOC (13) Cl.** ..... **03-01**

(52) **U.S. Cl.**  
USPC ..... **D3/246**

(58) **Field of Classification Search**  
USPC ..... D3/216–217, 273, 289, 290, 318, 321,  
D3/322, 323, 243, 244, 245, 246, 232,  
D3/233, 242, 240, 241, 201; 383/72  
CPC ..... A45F 4/02; A45F 4/08; A45F 2200/05;  
A45F 2200/0525; A45F 3/04; A45F  
3/042; A45F 3/047; A45F 3/08; A45F  
3/10; A45F 3/14; A45C 13/08; A45C  
13/083; A45C 13/1046; A45C 2003/007;  
A45C 3/10; A45C 1/024; A45C 3/06  
See application file for complete search history.

(56) **References Cited**

**U.S. PATENT DOCUMENTS**

D226,743 S \* 4/1973 Lee ..... D3/244  
D264,772 S \* 6/1982 Motsko ..... D3/244  
D460,622 S \* 7/2002 Wong ..... D3/232  
D559,538 S \* 1/2008 Dew ..... D3/232  
D665,176 S \* 8/2012 Platt ..... D3/318  
D743,699 S \* 11/2015 Wieden ..... D3/318  
D759,962 S \* 6/2016 Al-Wohaibi ..... D3/232

**OTHER PUBLICATIONS**

Build a Bagg, posted at buildabagg.com, no posting date, retrieved May 7, 2020, online, URL: <https://buildabagg.com/> (Year: 2020).\*  
Boggbags, <https://boggbag.com/>, 2011.

\* cited by examiner

*Primary Examiner* — Lilyana Bekic  
*Assistant Examiner* — Mary Shannon Malley  
(74) *Attorney, Agent, or Firm* — Greenberg Traurig, LLP

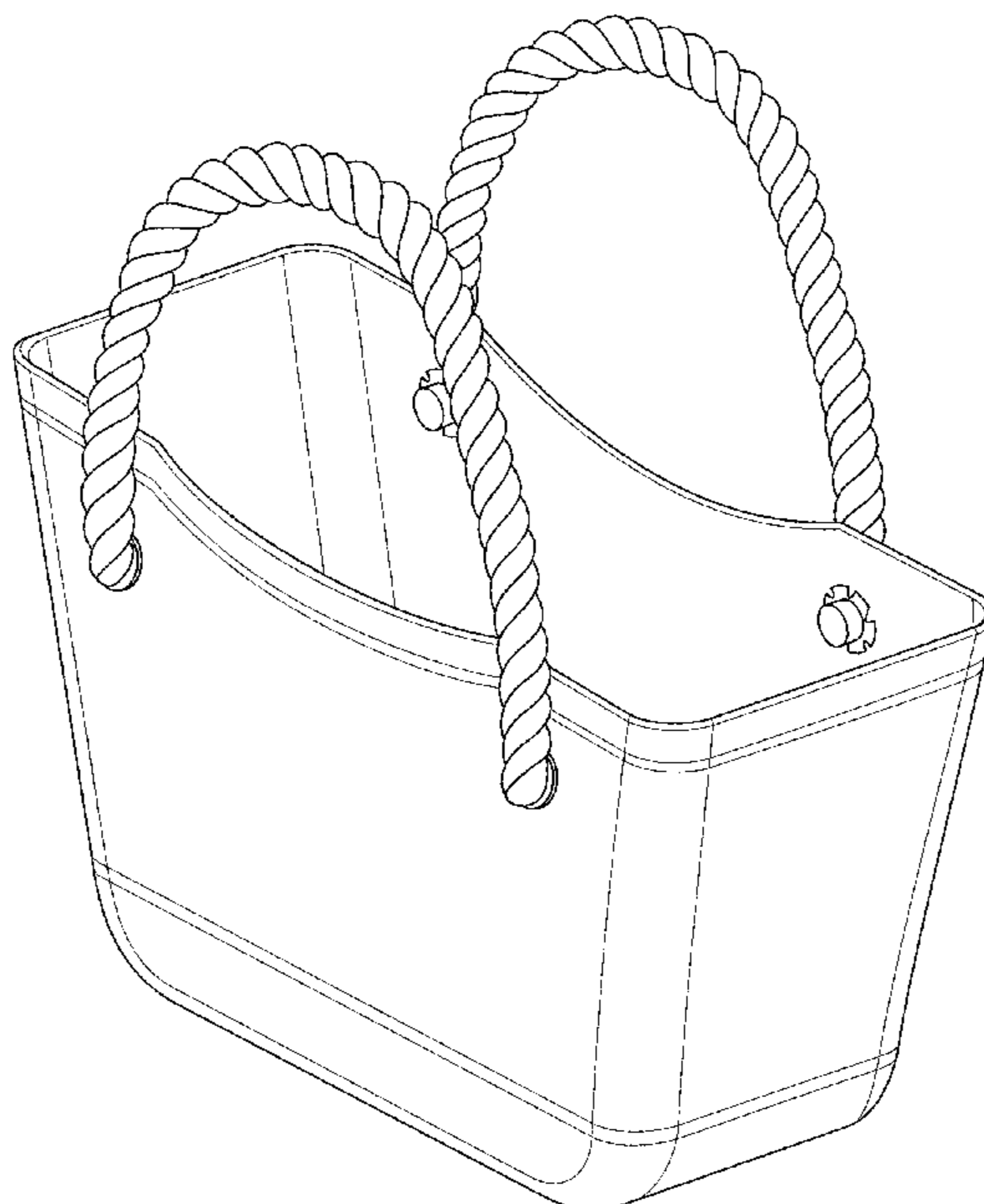
(57) **CLAIM**

The ornamental design for a beach bag, as shown and described.

**DESCRIPTION**

FIG. 1 is a top perspective view of the beach bag of my design;  
FIG. 2 is a front elevational view thereof;  
FIG. 3 is a rear elevational view thereof;  
FIG. 4 is a right side elevational view thereof;  
FIG. 5 is a left side elevational view thereof; and,  
FIG. 6 is a top plan view thereof.

**1 Claim, 6 Drawing Sheets**



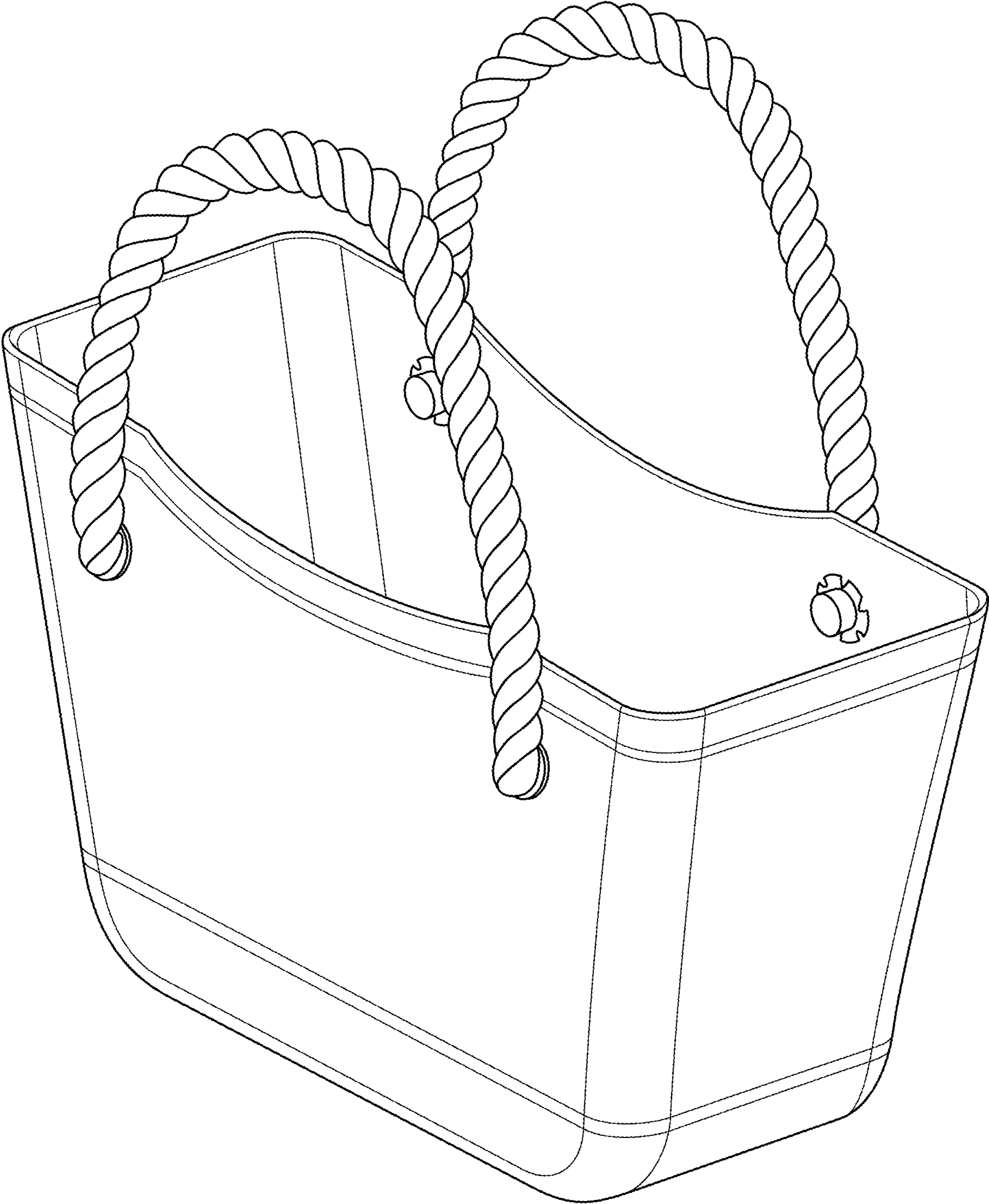


FIG. 1

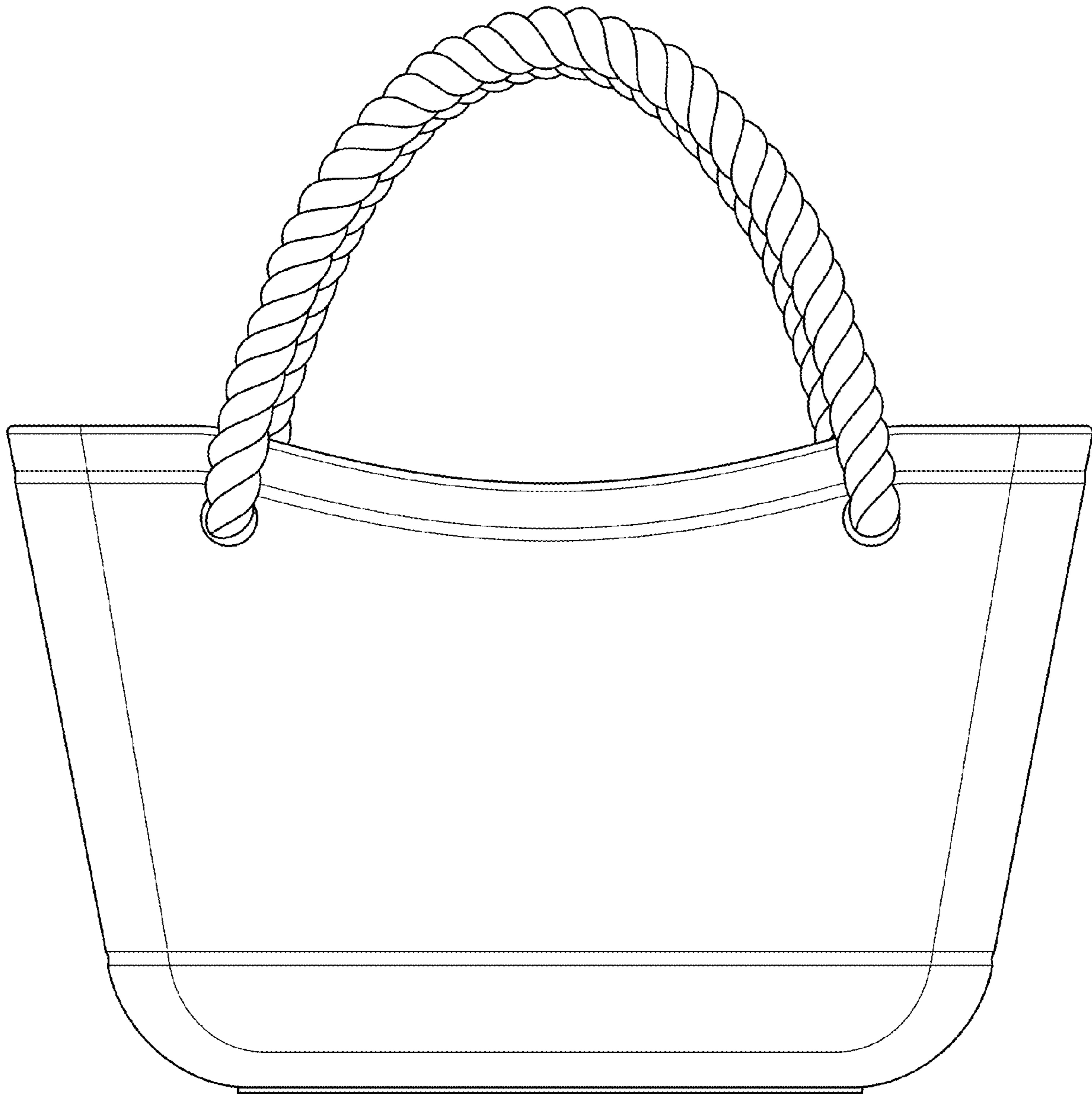


FIG. 2

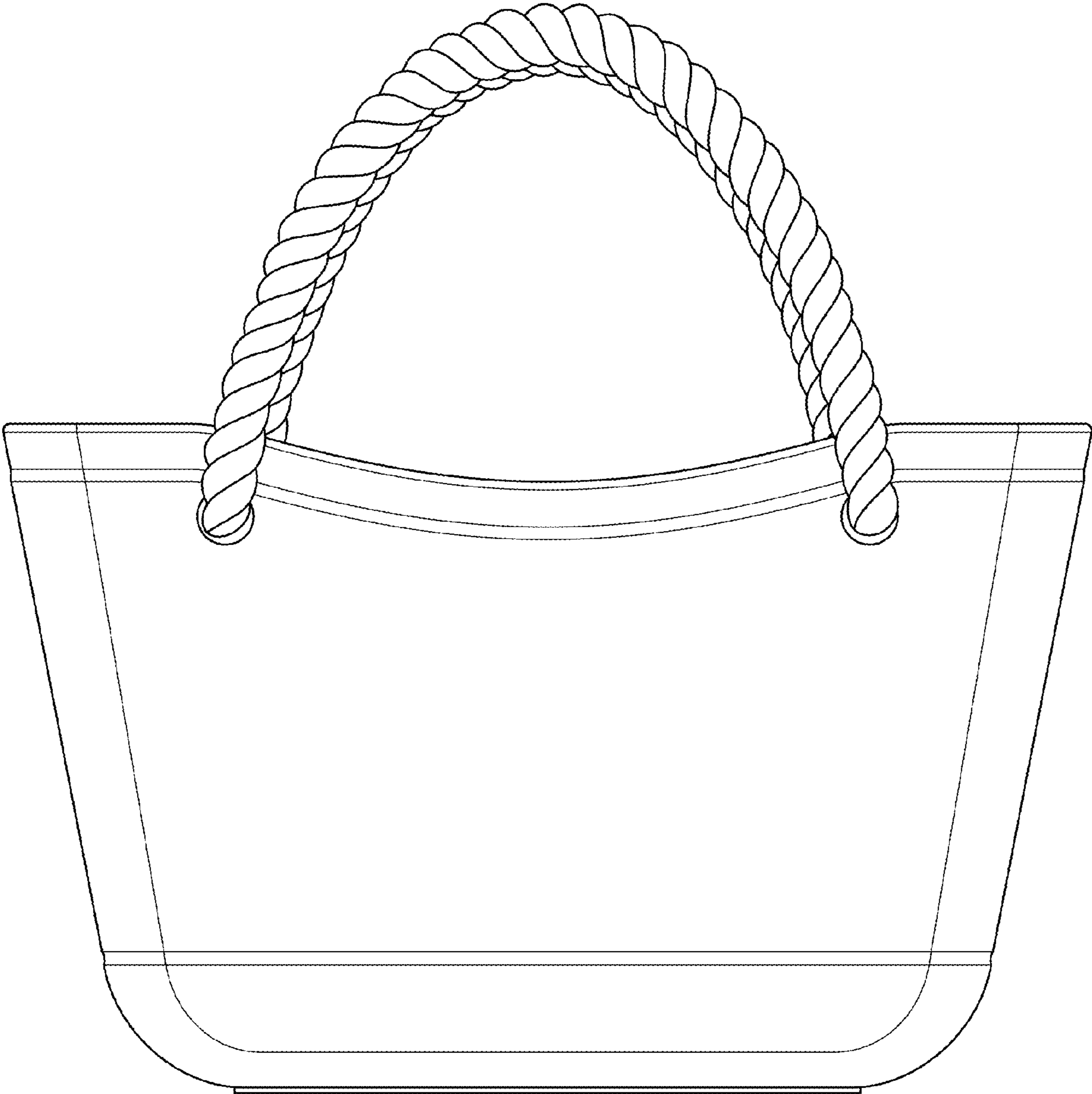


FIG. 3

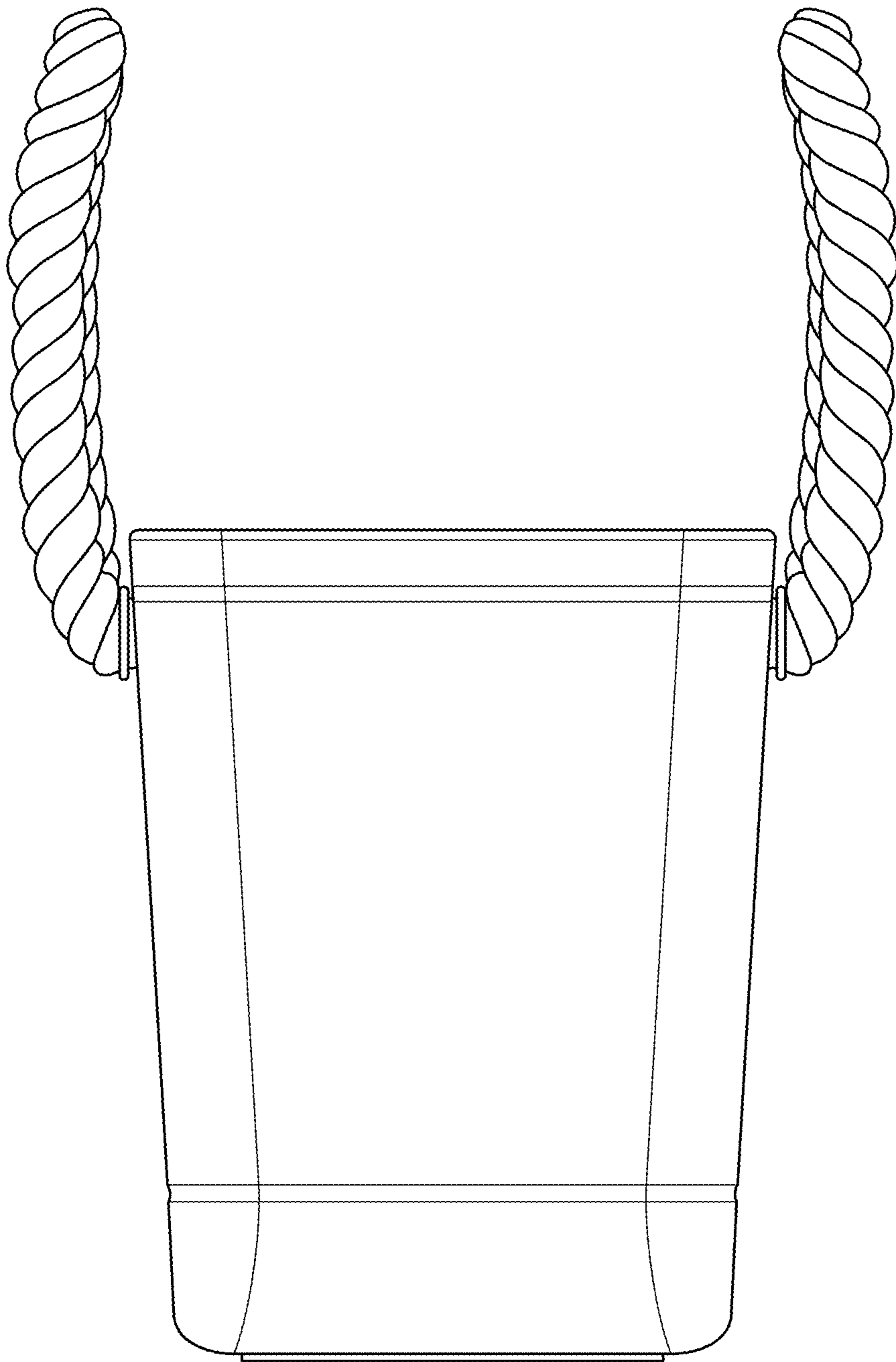


FIG. 4

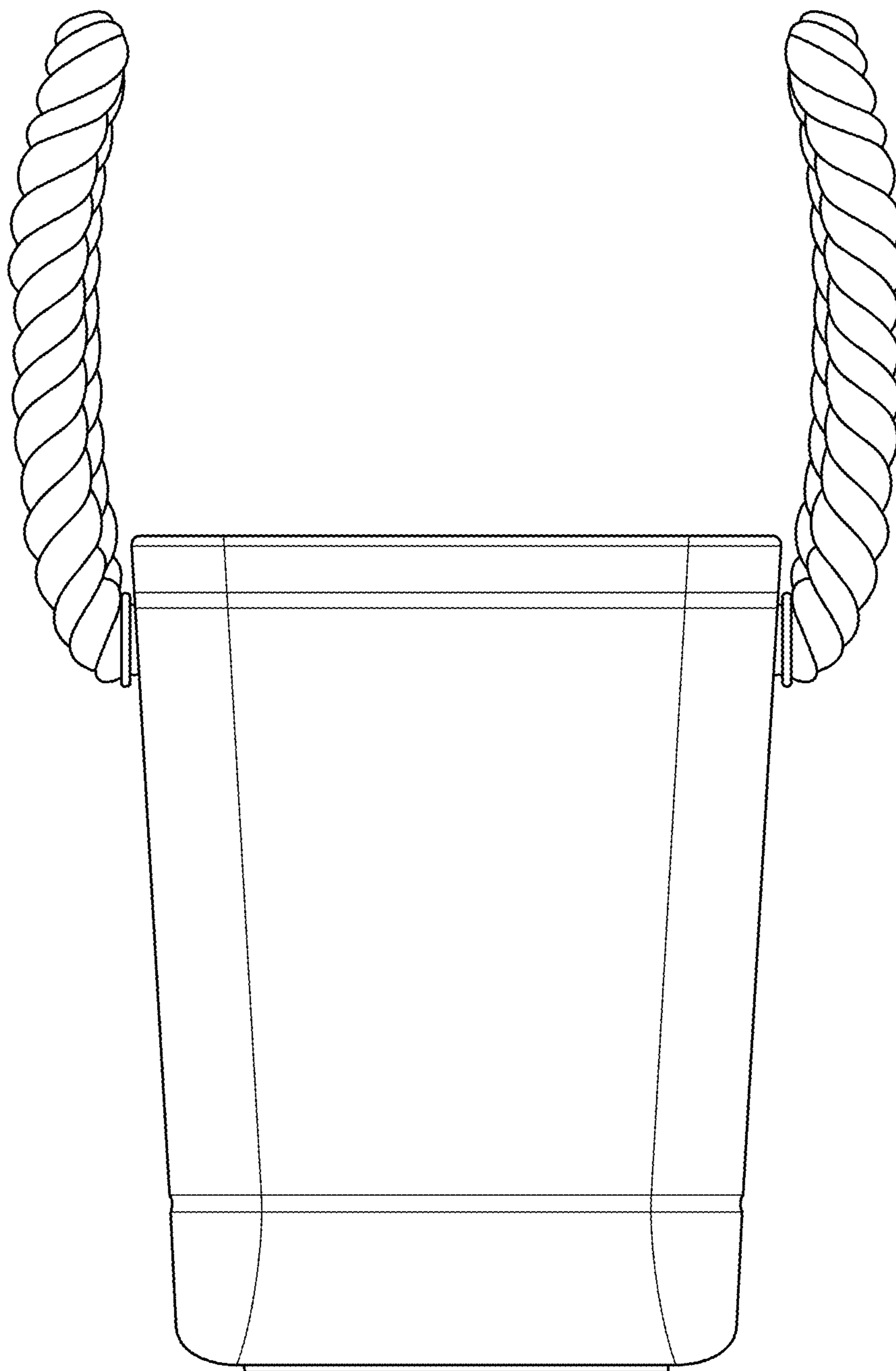


FIG. 5

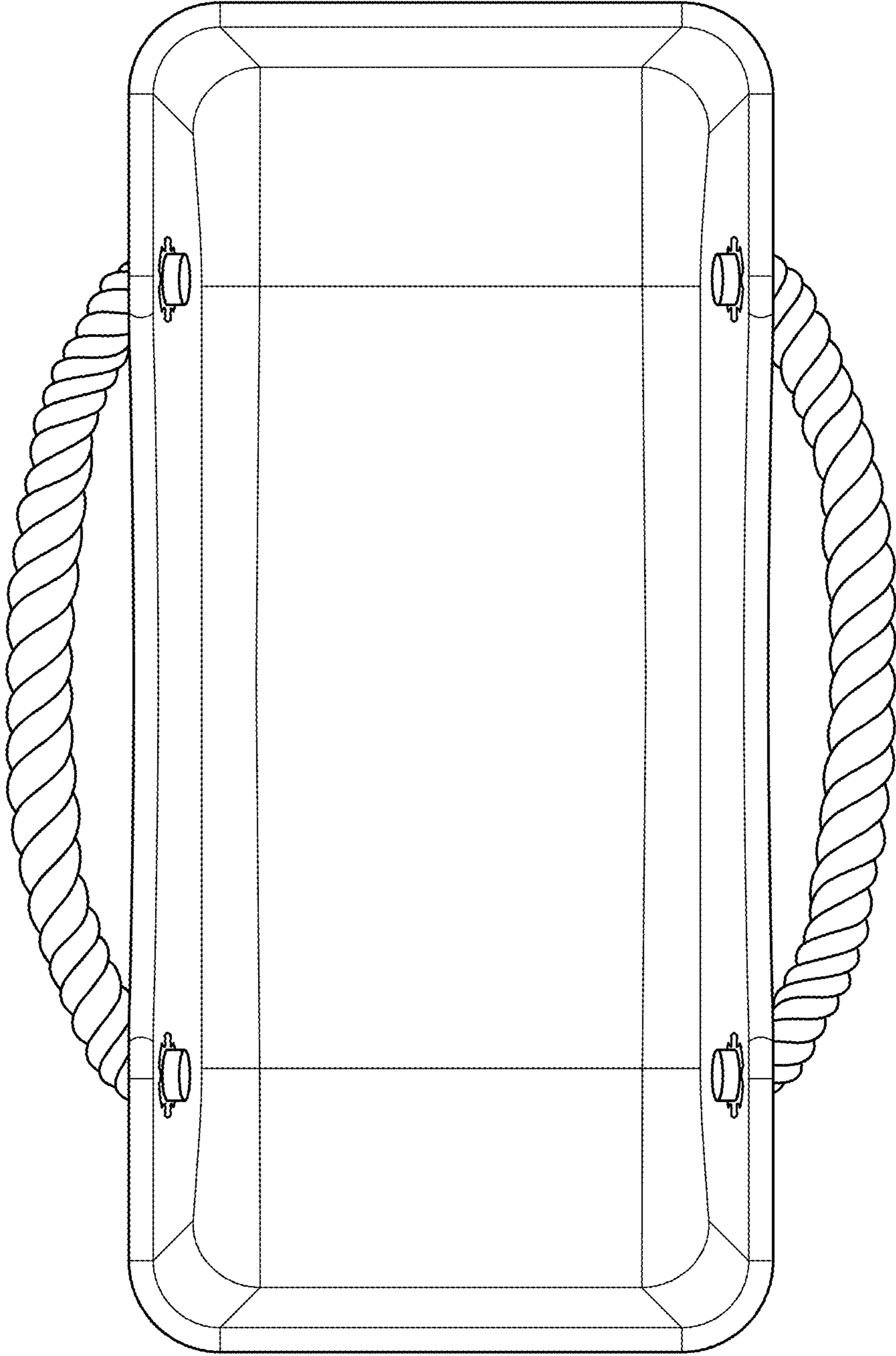


FIG. 6