



US00D916456S

(12) **United States Design Patent**  
**McAuliffe**

(10) **Patent No.:** **US D916,456 S**  
(45) **Date of Patent:** **\*\* Apr. 20, 2021**

(54) **KEY FOB**

(71) Applicant: **INTERNATIONAL KEY SUPPLY, LLC**, Farmingdale, NY (US)  
(72) Inventor: **Sean McAuliffe**, Greenlawn, NY (US)  
(73) Assignee: **International Key Supply, LLC**, Farmingdale, NY (US)

(\*\*) Term: **15 Years**

(21) Appl. No.: **29/710,273**

(22) Filed: **Oct. 22, 2019**

(51) **LOC (13) Cl.** ..... **03-01**

(52) **U.S. Cl.**  
USPC ..... **D3/207**

(58) **Field of Classification Search**  
USPC ..... D3/203.1, 207, 208, 209, 210, 211, 212, D3/249; D8/34, 38, 105; D14/218  
(Continued)

(56) **References Cited**

**U.S. PATENT DOCUMENTS**

D336,435 S 6/1993 Yusa  
D380,896 S 7/1997 Grant  
(Continued)

**OTHER PUBLICATIONS**

KeylessOption Keyless Entry Remote Control, announced Jun. 6, 2014 [online], [available from internet]. URL <<https://www.amazon.com/KeylessOption-Keyless-Control-Starter-Chrysler/dp/B00KTI0D96/>> (Year: 2014).\*

(Continued)

*Primary Examiner* — Kevin K Rudzinski

*Assistant Examiner* — Amber J Rabie

(74) *Attorney, Agent, or Firm* — Carter, DeLuca & Farrell LLP; George Likourezos

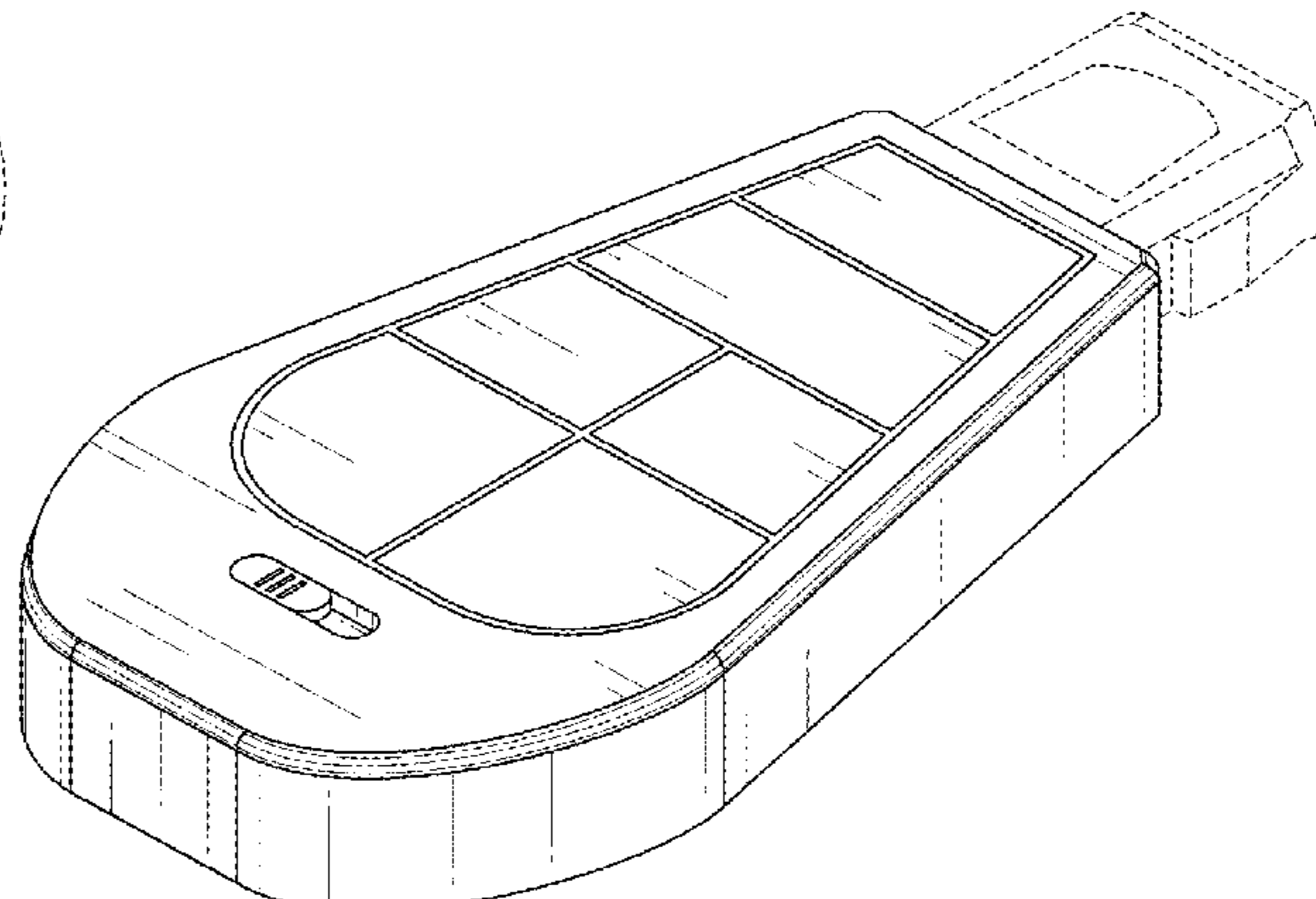
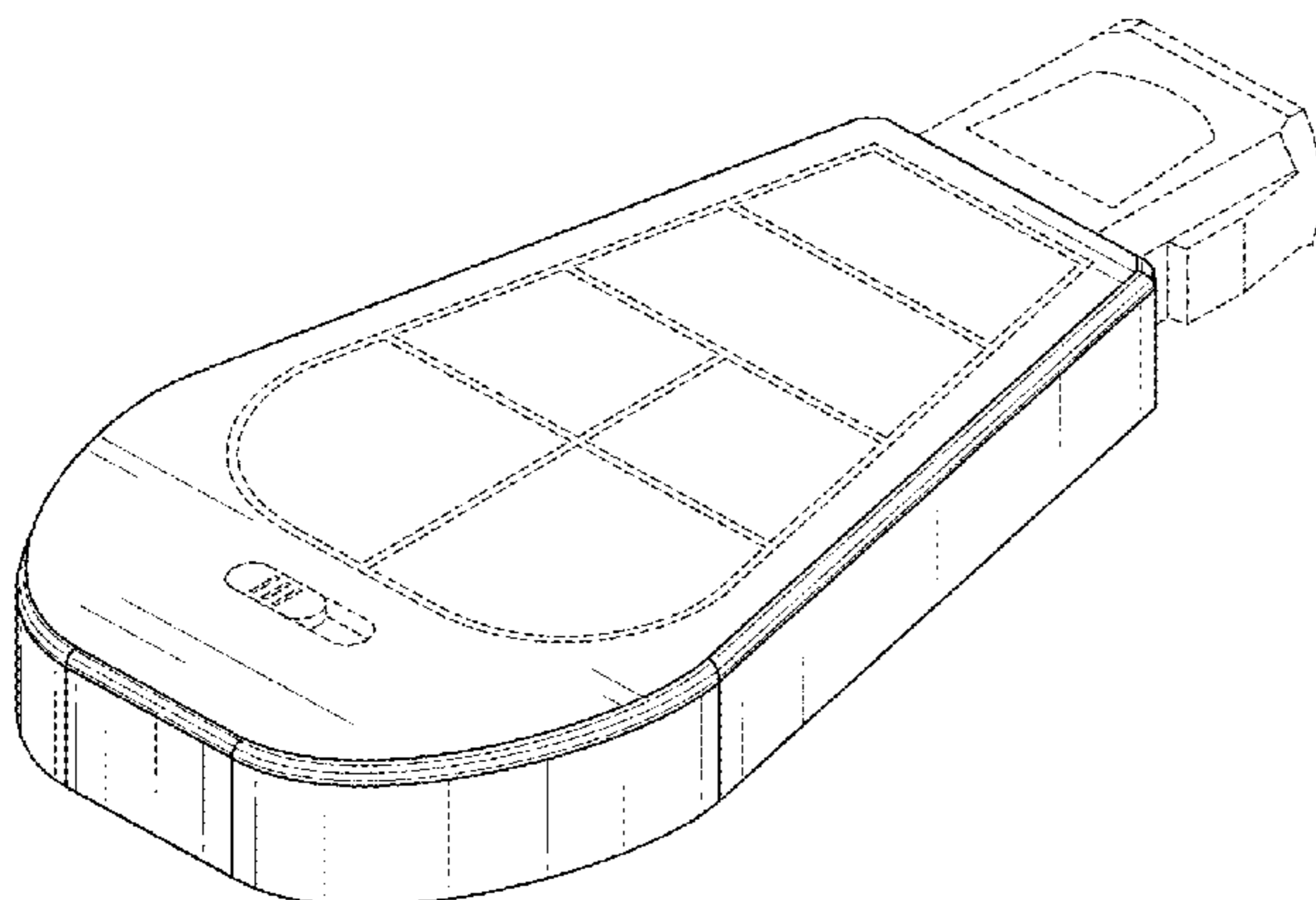
(57) **CLAIM**

The ornamental design for a key FOB, as shown and described.

**DESCRIPTION**

FIG. 1 is a first perspective view of a key FOB in accordance with the present design;  
FIG. 2 is a second perspective view of the key FOB in accordance with the present design;  
FIG. 3 is a front view of the key FOB in accordance with the present design;  
FIG. 4 is a rear view of the key FOB in accordance with the present design;  
FIG. 5 is a left side view of the key FOB in accordance with the present design;  
FIG. 6 is a right side view of the key FOB in accordance with the present design;  
FIG. 7 is a top plane view of the key FOB in accordance with the present design;  
FIG. 8 is a bottom plane view of the key FOB in accordance with the present design;  
FIG. 9 is a first perspective view of a key FOB in accordance with another embodiment of the present design;  
FIG. 10 is a second perspective view of the key FOB in accordance with the present design shown by FIG. 9;  
FIG. 11 is a front view of the key FOB in accordance with the present design shown by FIG. 9;  
FIG. 12 is a rear view of the key FOB in accordance with the present design shown by FIG. 9;  
FIG. 13 is a left side view of the key FOB in accordance with the present design shown by FIG. 9;  
FIG. 14 is a right side view of the key FOB in accordance with the present design shown by FIG. 9;  
FIG. 15 is a top plane view of the key FOB in accordance with the present design shown by FIG. 9; and,  
FIG. 16 is a bottom plane view of the key FOB in accordance with the present design shown by FIG. 9.  
The broken lines shown in the drawings illustrate portions of the key FOB that form no part of the claimed design.

**1 Claim, 6 Drawing Sheets**



(58) **Field of Classification Search**

CPC ..... Y10T 24/45319; Y10T 24/45366; Y10T  
70/873; Y10T 70/8757; Y10T 24/1379;  
Y10T 24/45026; Y10T 70/8676; Y10T  
70/8703; A63B 29/02; F16B 45/02; A44B  
15/002; A44B 15/00; A44B 15/005; A45C  
11/325

See application file for complete search history.

(56) **References Cited**

U.S. PATENT DOCUMENTS

6,097,106 A 8/2000 Roddy et al.  
D455,006 S \* 4/2002 Pinchuk ..... D3/209  
6,386,007 B1 5/2002 Johnson et al.  
6,460,386 B1 10/2002 Watanuki et al.  
6,518,882 B2 2/2003 Reese et al.  
D476,805 S 7/2003 Kan  
6,668,608 B1 12/2003 Derman  
6,705,141 B1 3/2004 Jacob et al.  
6,765,311 B1 7/2004 Labonde  
6,848,288 B1 2/2005 Derman  
D525,947 S 8/2006 Gerard et al.  
D554,361 S 11/2007 Bates et al.  
D554,363 S 11/2007 Bates et al.  
D559,530 S 1/2008 Bates et al.  
D560,352 S \* 1/2008 Cadiz ..... D3/208  
D577,023 S 9/2008 Anglin

D604,039 S \* 11/2009 Fleming ..... H01H 9/0235  
D3/207  
7,634,932 B2 12/2009 Cadiz et al.  
D612,850 S 3/2010 Cabatic  
D612,962 S \* 3/2010 Marville ..... E05B 19/046  
D26/37  
D656,127 S 3/2012 Kay et al.  
D729,208 S 5/2015 Ryu et al.  
D734,607 S \* 7/2015 Leetz ..... D3/207  
D822,376 S 7/2018 Konotopskyi et al.  
2006/0010944 A1 1/2006 Balko et al.  
2006/0185410 A1 8/2006 Mastrodonato et al.  
2007/0022794 A1 2/2007 Maier-Hunke  
2008/0127693 A1 \* 6/2008 Cadiz ..... G07C 9/00944  
70/456 R  
2009/0000343 A1 1/2009 Giacomini et al.  
2010/0199729 A1 \* 8/2010 Zaitz ..... E05B 19/046  
70/237  
2010/0220451 A1 \* 9/2010 Zaitz ..... H01H 9/0235  
361/752

OTHER PUBLICATIONS

Qualitykeylessplus Replacement 5 Button Power Door Key Fob,  
announced Sep. 14. 2015 [online], [available from internet]. URL  
<<https://www.amazon.com/dp/B01BFNXKNE/>> (Year: 2015).\*

\* cited by examiner

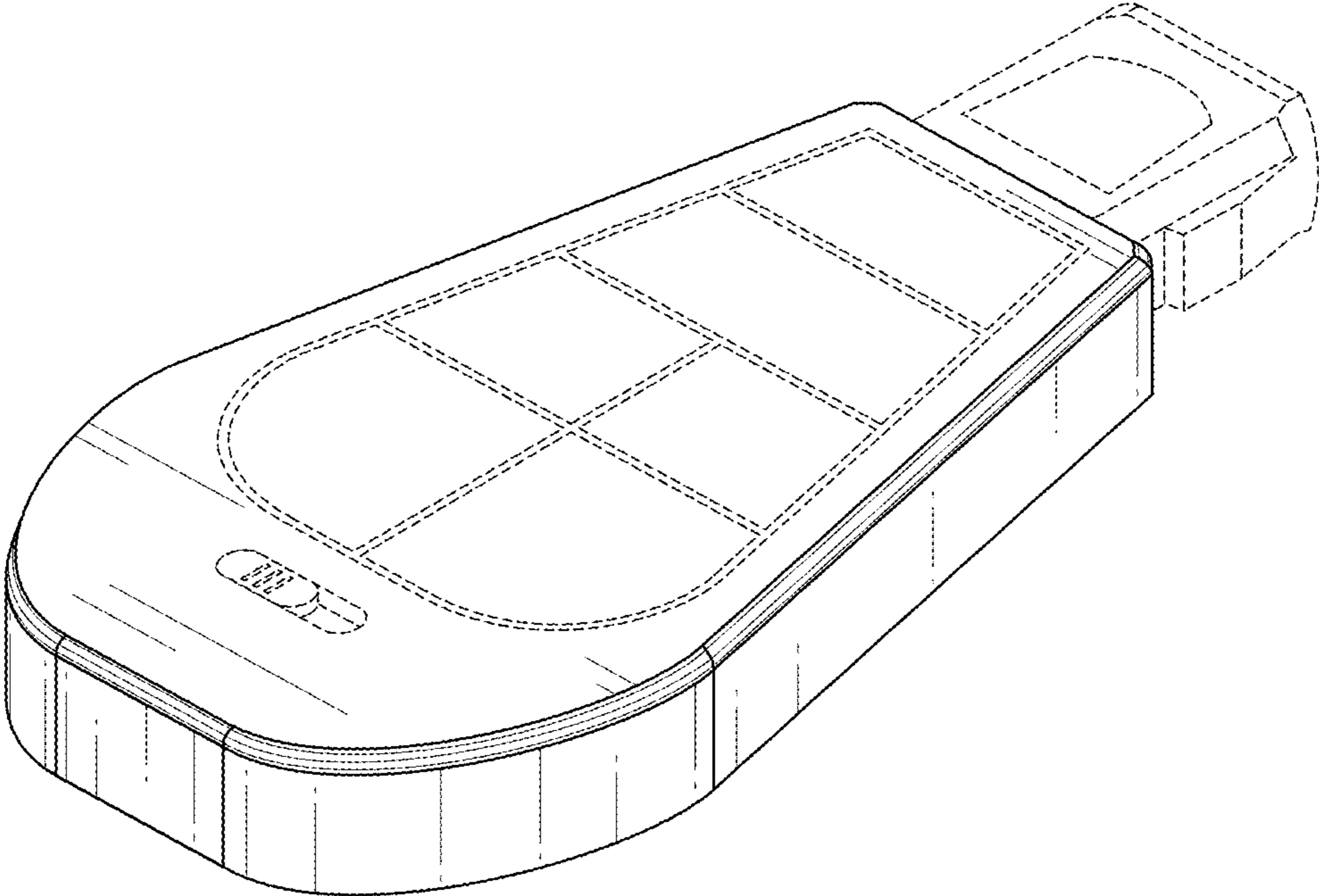


FIG. 1

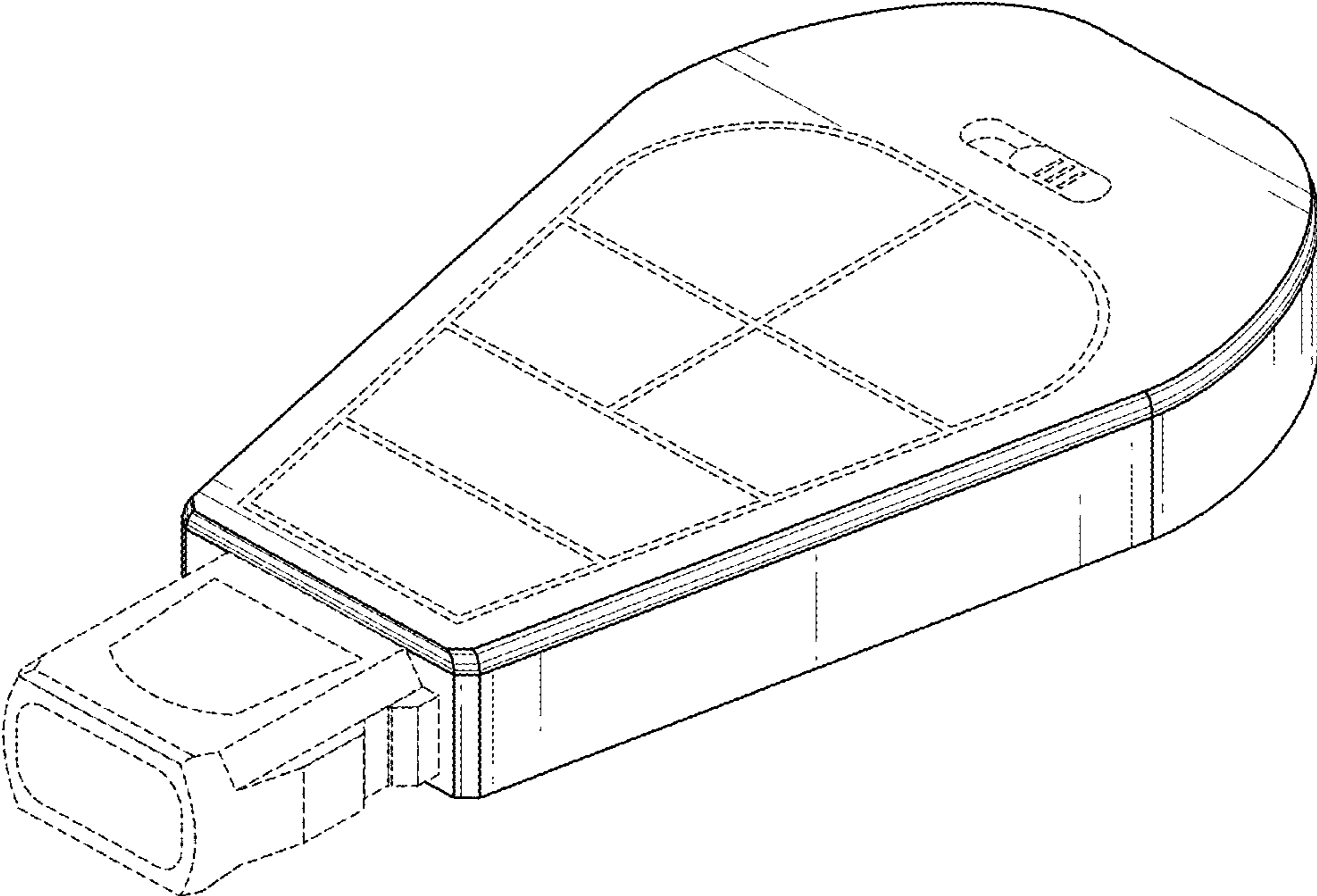
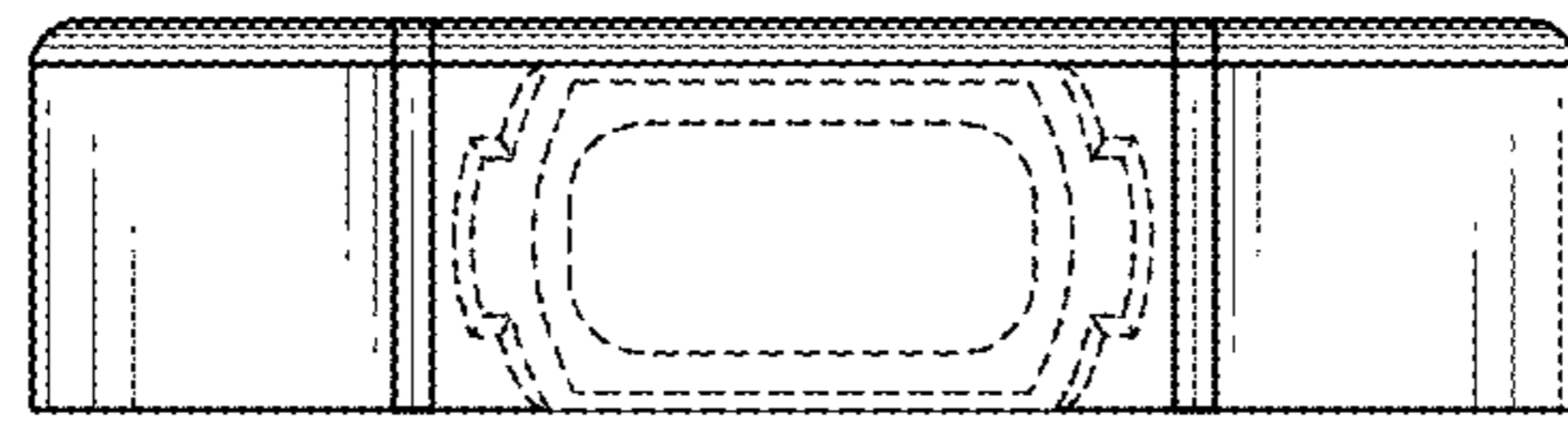
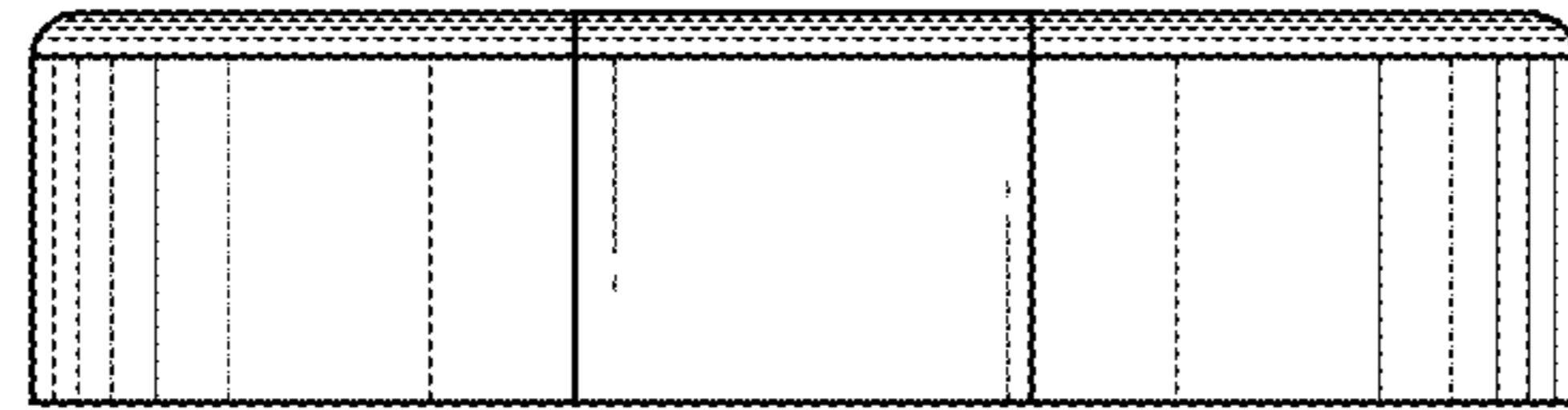


FIG. 2

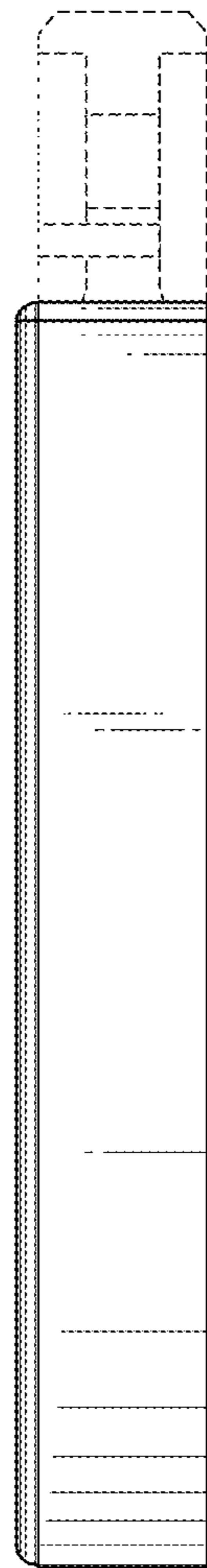




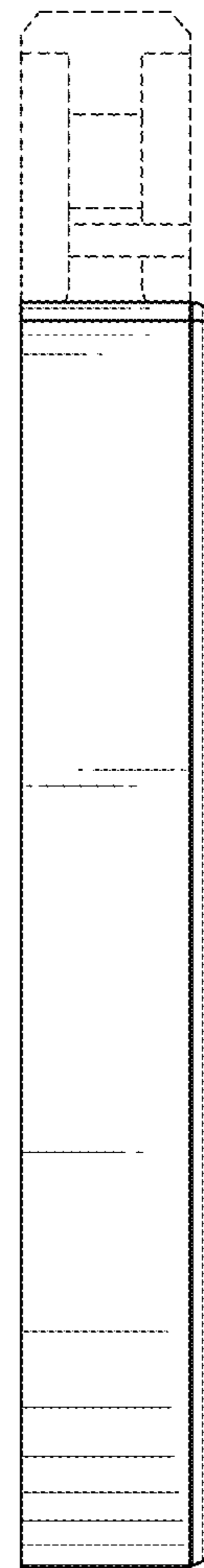
**FIG. 3**



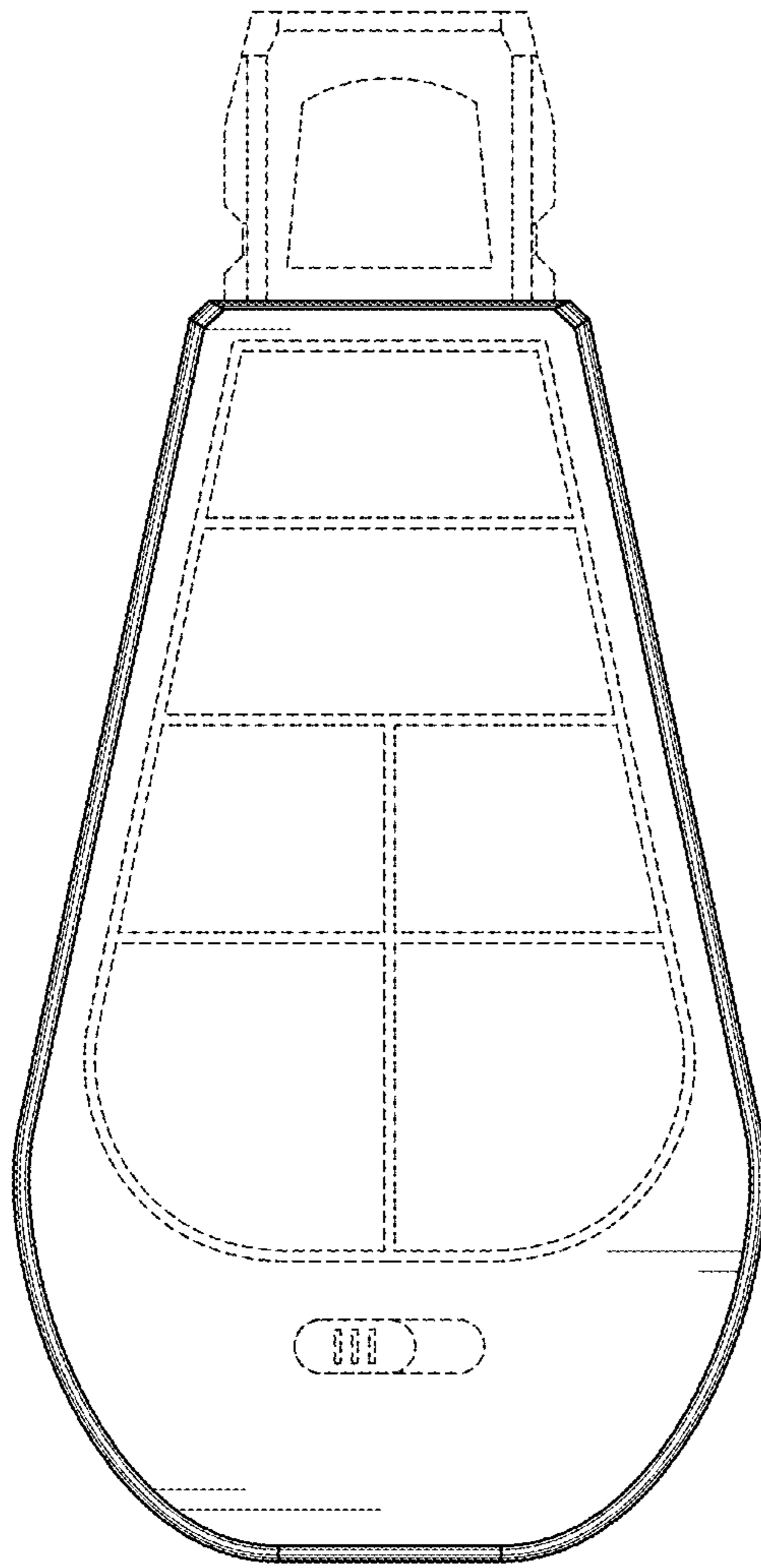
**FIG. 4**



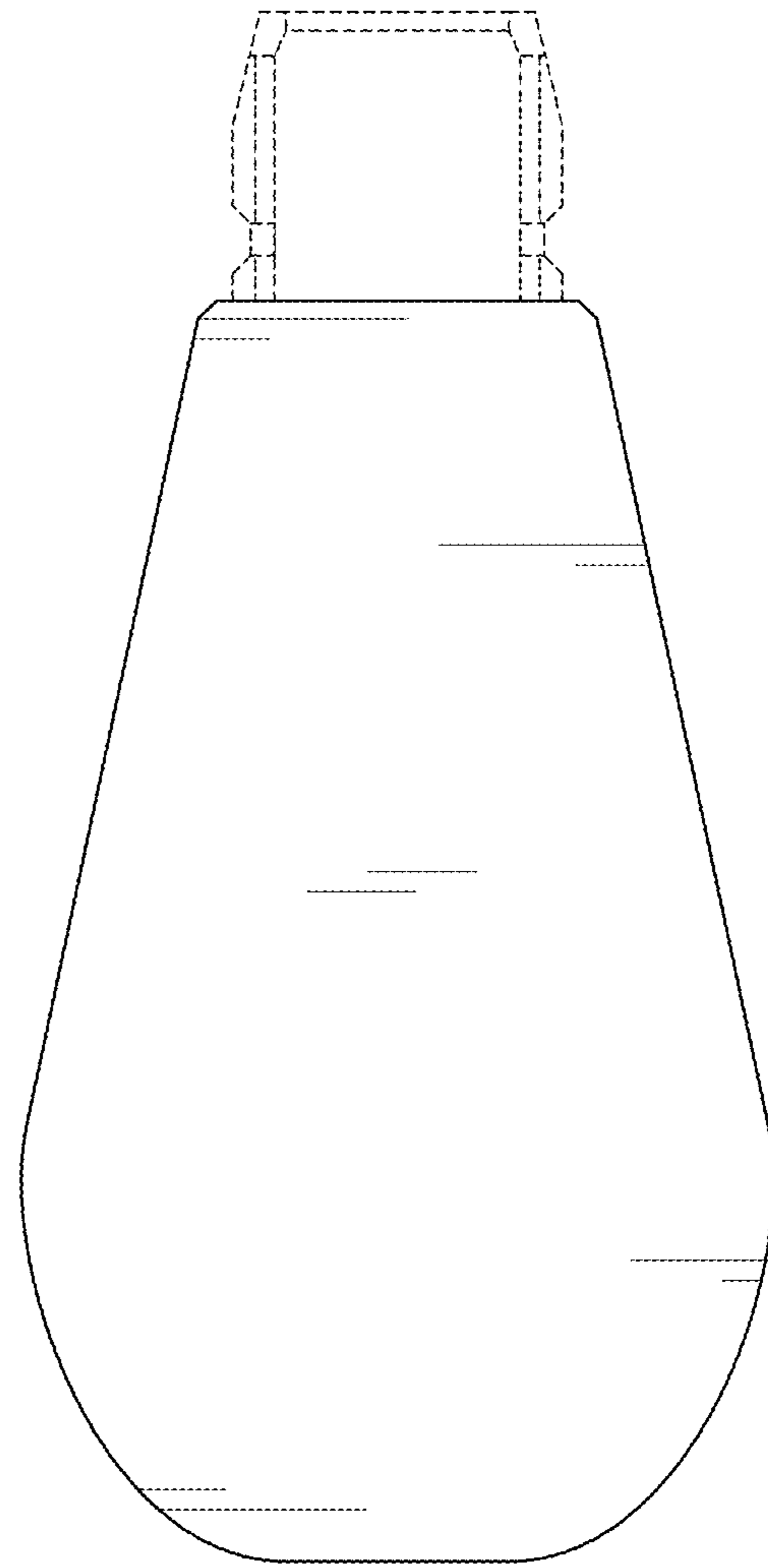
**FIG. 5**



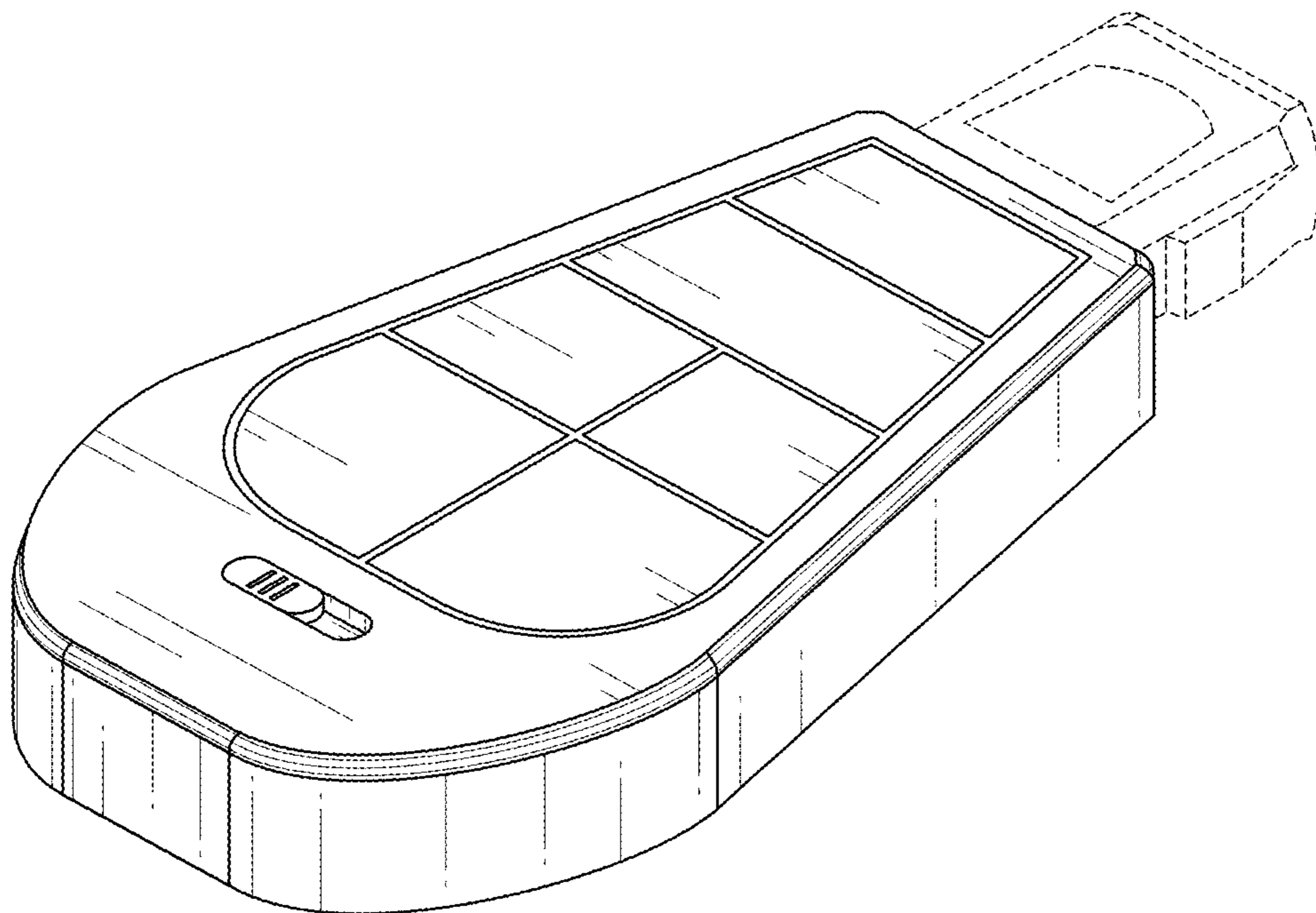
**FIG. 6**



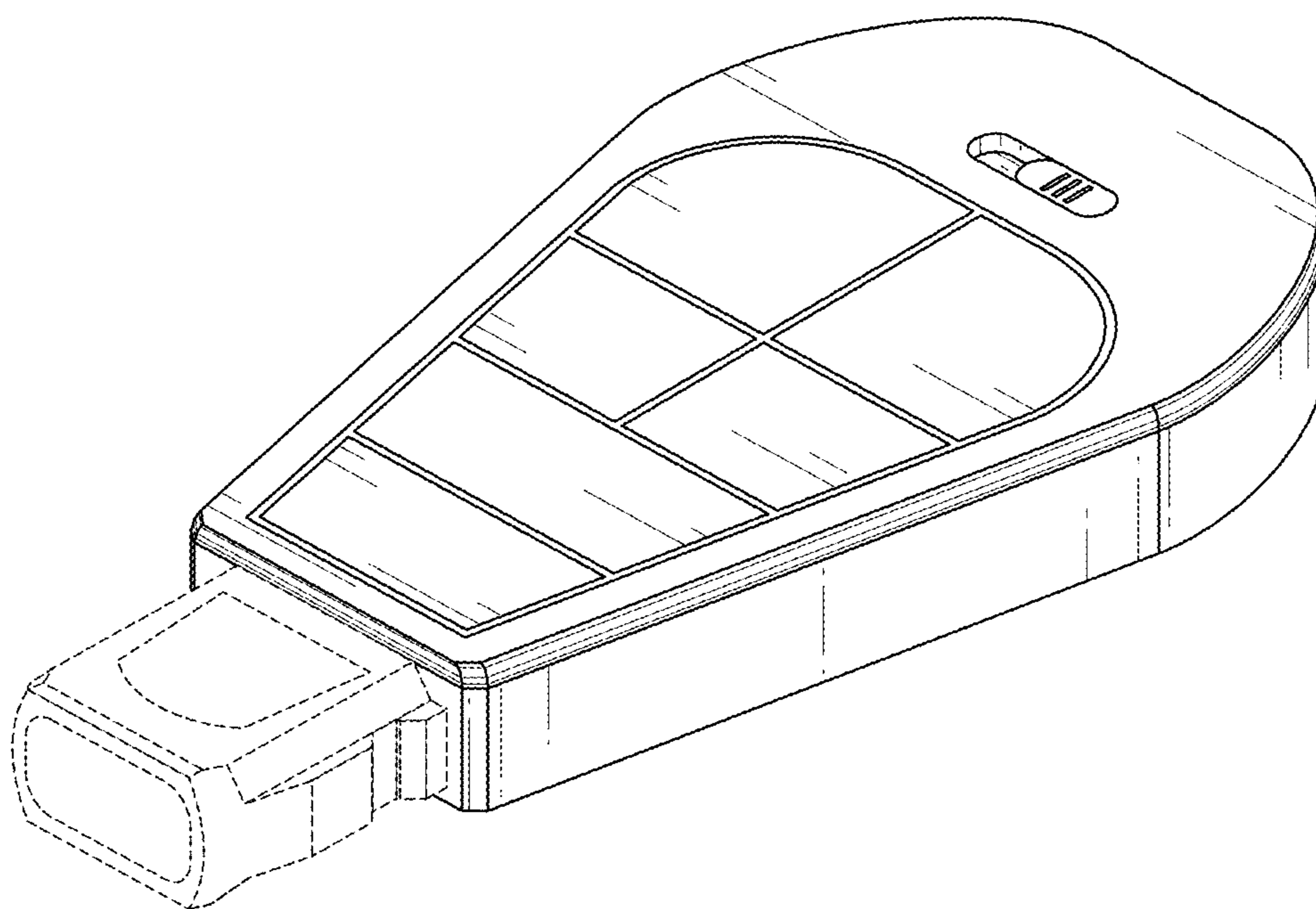
**FIG. 7**



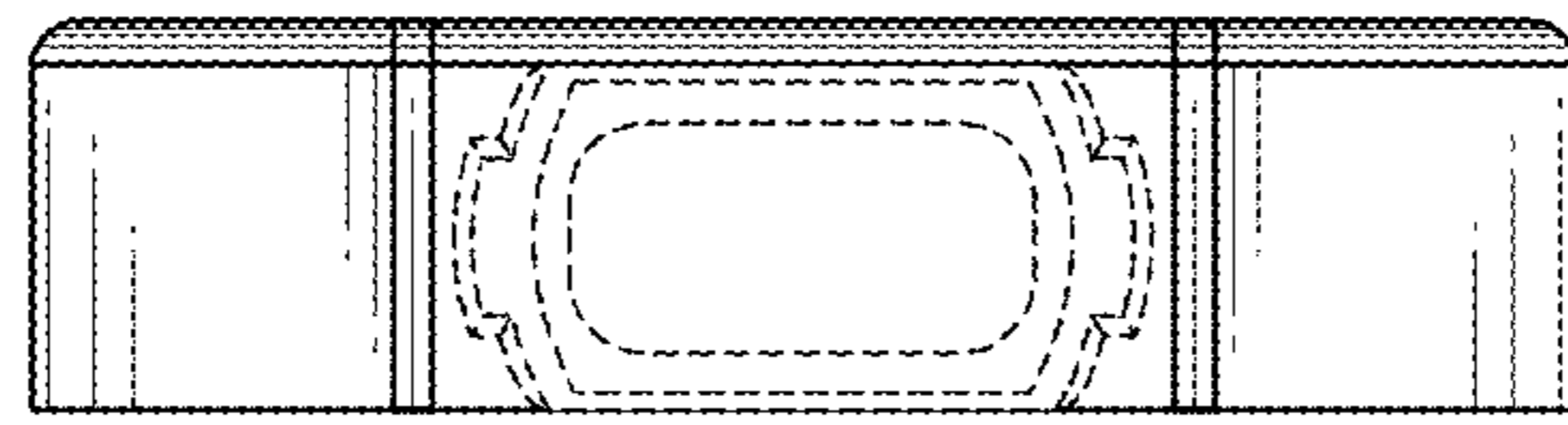
**FIG. 8**



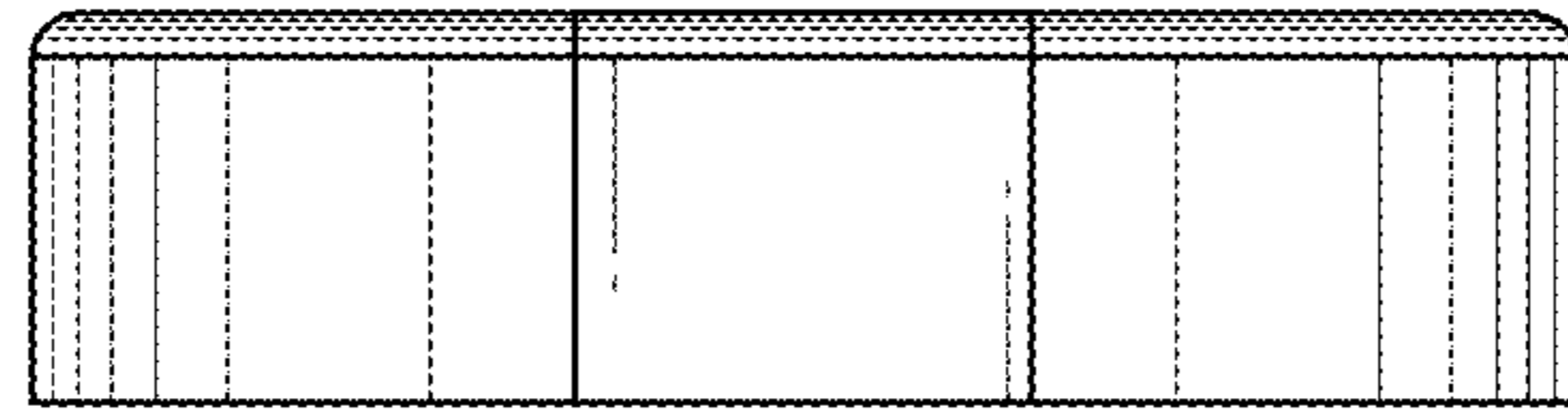
**FIG. 9**



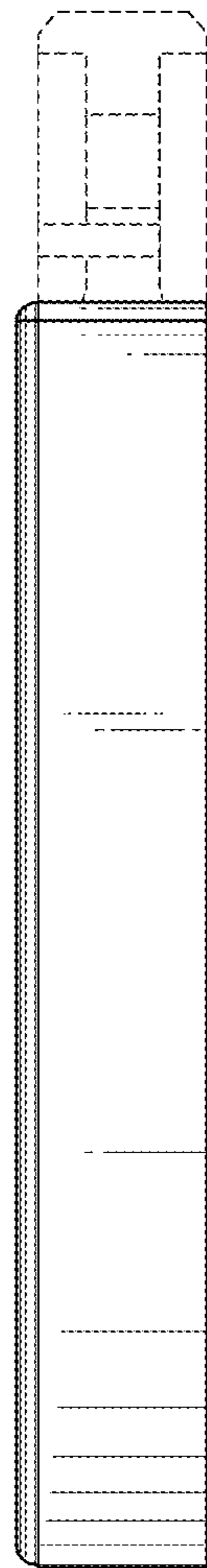
**FIG. 10**



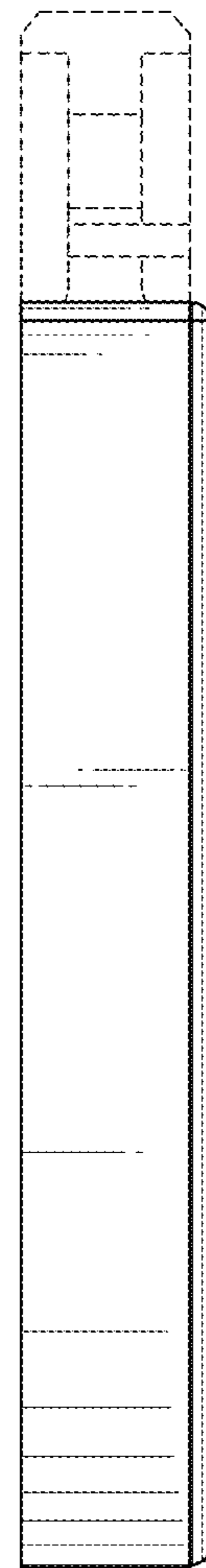
**FIG. 11**



**FIG. 12**



**FIG. 13**



**FIG. 14**

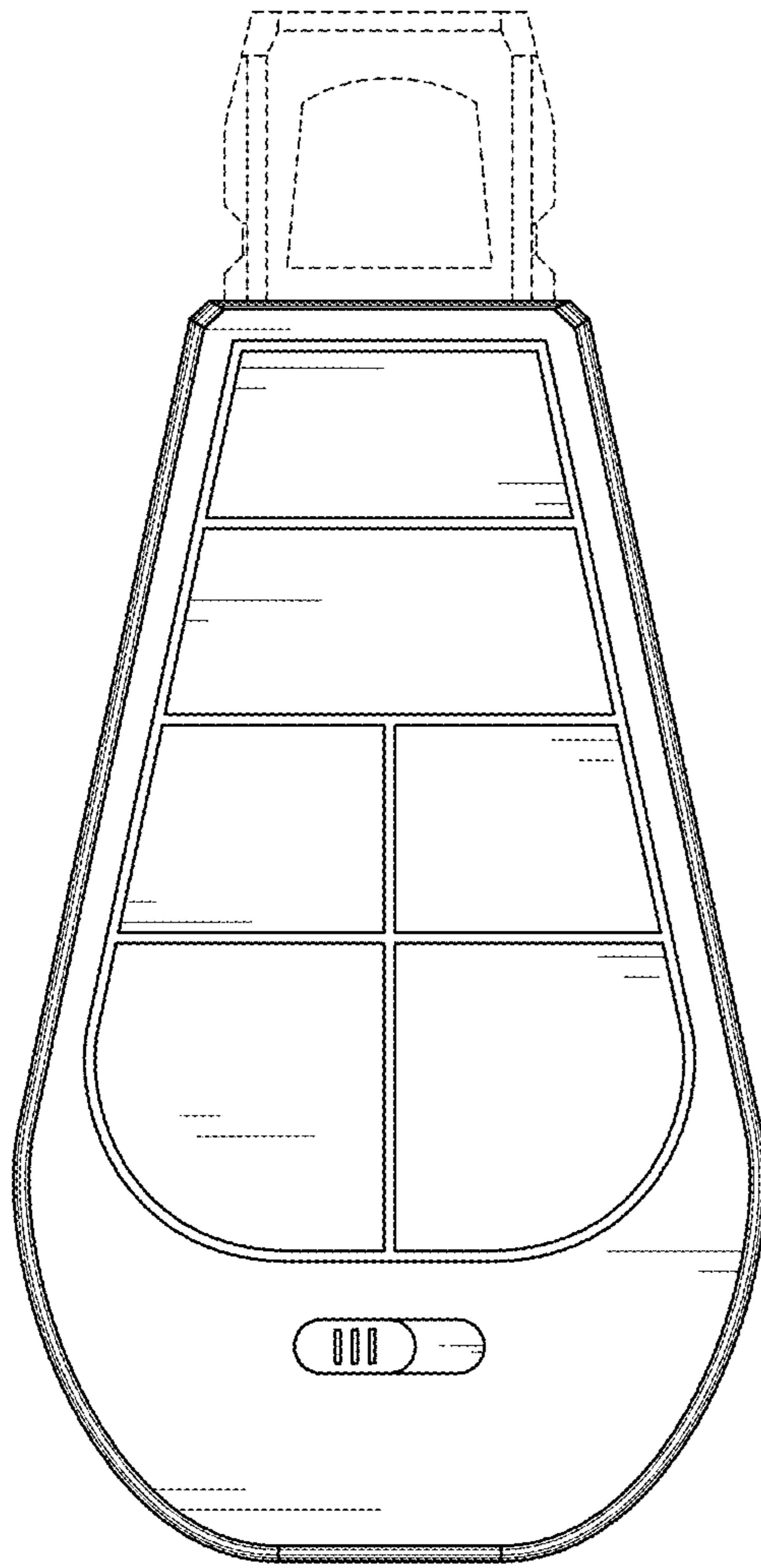


FIG. 15

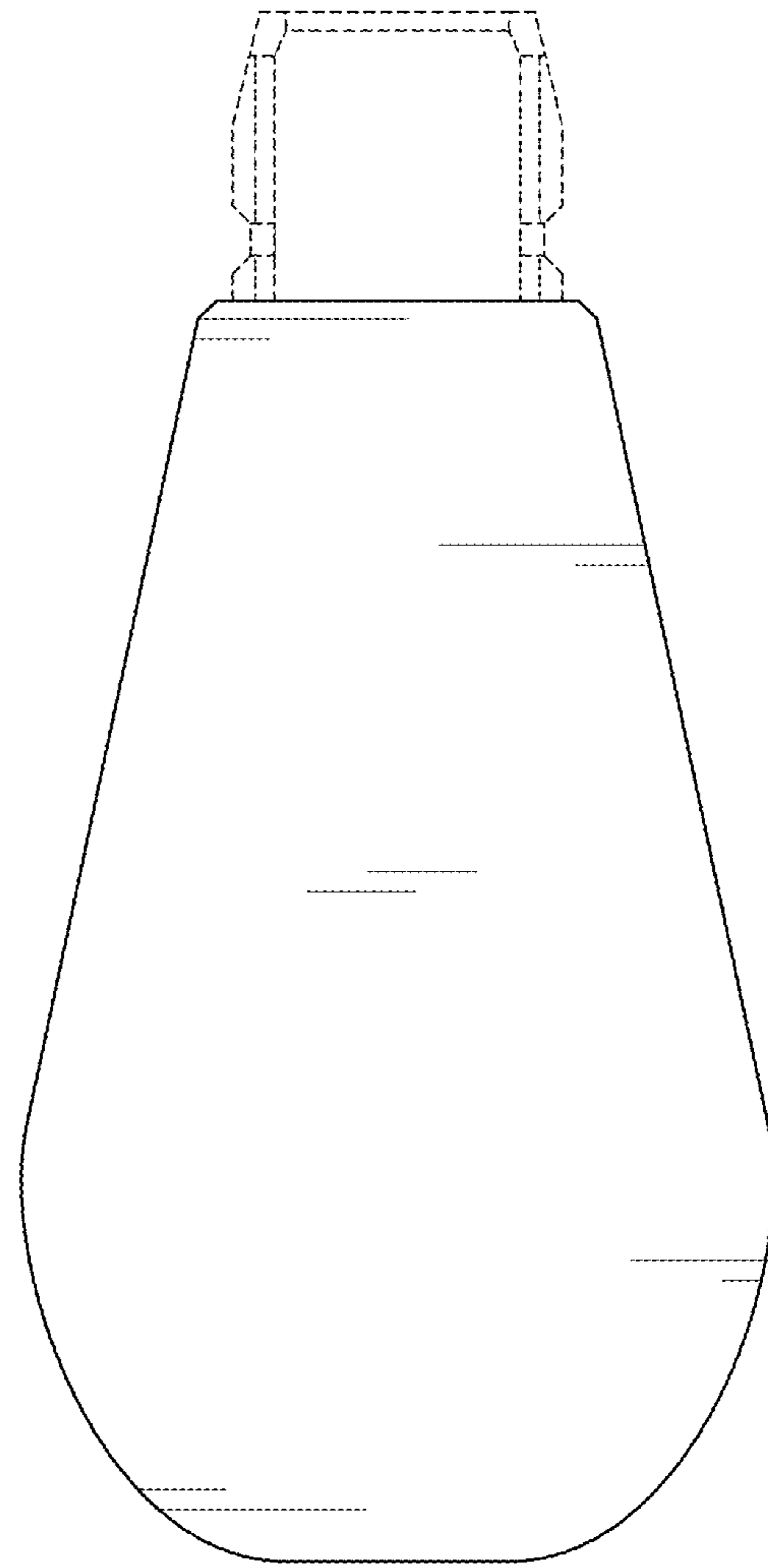


FIG. 16