



US00D916455S

(12) **United States Design Patent**  
**Chen**

(10) **Patent No.:** **US D916,455 S**

(45) **Date of Patent:** **\*\* Apr. 20, 2021**

(54) **PILL BOX**

(71) Applicant: **Changsha Yuwen Network Technology Co., Ltd.**, Changsha (CN)

(72) Inventor: **Junyuan Chen**, Changsha (CN)

(73) Assignee: **CHANGSHA YUWEN NETWORK TECHNOLOGY CO., LTD.**, Changsha (CN)

(\*\*) Term: **15 Years**

(21) Appl. No.: **29/756,110**

(22) Filed: **Oct. 26, 2020**

(51) **LOC (13) Cl.** ..... **03-01**

(52) **U.S. Cl.**  
USPC ..... **D3/203.2**

(58) **Field of Classification Search**  
USPC ..... D3/201, 203.1, 203.2, 203.3, 203.4, 273,  
D3/294, 295; D9/420, 421, 756, 757,  
D9/759  
CPC ..... A61J 1/00; A61J 1/03; A61J 7/04; A61J  
7/0084; B65D 1/36; B65D 2583/04;  
B65D 83/04; B65D 83/0445; B65D  
83/0481

See application file for complete search history.

(56) **References Cited**

**U.S. PATENT DOCUMENTS**

D281,225	S	*	11/1985	Leman	.....	D3/203.3
4,735,318	A	*	4/1988	Keffeler	.....	A61J 1/03 206/532
D298,803	S	*	12/1988	Ebling	.....	D3/203.3
4,793,492	A	*	12/1988	Halbich	.....	A45C 11/24 206/538
D304,905	S	*	12/1989	Zimmerman	.....	D3/203.3
D337,725	S	*	7/1993	Bunin	.....	D3/203.3
D415,958	S	*	11/1999	Noble	.....	D3/203.3
D418,288	S	*	1/2000	Priebe	.....	D3/201
D430,392	S	*	9/2000	Noble	.....	D3/201
D452,611	S	*	1/2002	Redgrave	.....	D3/264

D457,819	S	*	5/2002	Noble	.....	D10/40
D466,801	S	*	12/2002	Holland	.....	D3/203.3
6,945,401	B2	*	9/2005	Jopling	.....	A45C 11/00 206/37
D522,742	S	*	6/2006	Priebe	.....	D3/203.3
D524,537	S	*	7/2006	Priebe	.....	D3/203.3

(Continued)

**OTHER PUBLICATIONS**

Auvon Monthly Pill Organizer, amazon.com, [https://www.amazon.com/AUVON-Organizer-Compartments-Supplements-Medications/dp/B088D74TQF?ref\\_ast\\_sto\\_dp](https://www.amazon.com/AUVON-Organizer-Compartments-Supplements-Medications/dp/B088D74TQF?ref_ast_sto_dp) (Year: 2020).\*

(Continued)

*Primary Examiner* — Steven J Czyz

(74) *Attorney, Agent, or Firm* — IPro, PLLC

(57) **CLAIM**

The ornamental design for a pill box, as shown and described.

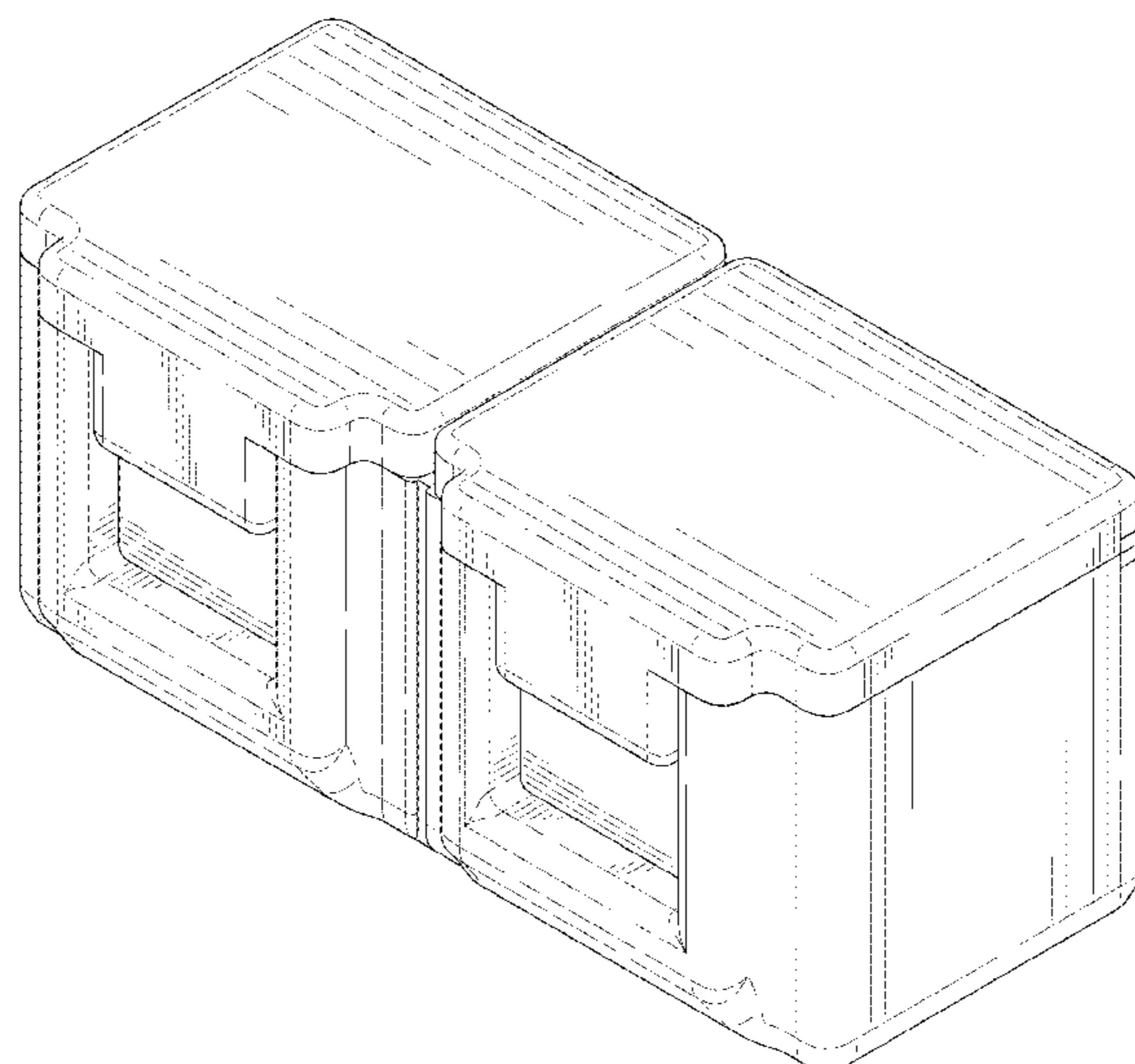
**DESCRIPTION**

FIG. 1 is a front and right side perspective view of an ornamental design for a pill box showing our new design; FIG. 2 is a rear and right side perspective view of the pill box; FIG. 3 is a front view of the pill box; FIG. 4 is a rear view of the pill box; FIG. 5 is a left side view of the pill box; FIG. 6 is a right side view of the pill box; FIG. 7 is a top view of the pill box; FIG. 8 is a bottom view of the pill box; and, FIG. 9 is a front and right side perspective view of the pill box in its open state.

Any shading and cross-hatching are not features of the design but are utilized to illustrate the surface contours of the pill box in the drawings.

The broken lines depict portions of the article that form no part of the claimed design.

**1 Claim, 9 Drawing Sheets**



(56)

References Cited

U.S. PATENT DOCUMENTS

D525,777 S \* 8/2006 Priebe ..... D3/203.3  
 D528,782 S \* 9/2006 Oas ..... D3/203.3  
 D545,563 S \* 7/2007 Margiotta ..... D3/203.3  
 7,387,207 B2 \* 6/2008 Priebe ..... A61J 1/03  
 206/532  
 7,395,929 B2 \* 7/2008 Keffeler ..... B65D 83/0445  
 206/528  
 D576,404 S \* 9/2008 Cooper ..... D3/203.3  
 D587,005 S \* 2/2009 Gardner ..... D3/203.3  
 7,494,012 B1 \* 2/2009 Priebe ..... A61J 1/03  
 206/1.5  
 D587,898 S \* 3/2009 Cetera ..... D3/203.2  
 7,624,890 B2 \* 12/2009 Noble ..... B65D 43/162  
 220/324  
 D612,894 S \* 3/2010 Evans ..... D21/392  
 7,793,785 B2 \* 9/2010 Keffeler ..... B65D 83/04  
 206/538  
 7,798,330 B2 \* 9/2010 Noble ..... B65D 83/04  
 206/538  
 8,174,370 B1 \* 5/2012 Fulmer-Mason ..... A61J 7/0409  
 340/309.16  
 8,381,911 B2 \* 2/2013 Buchner ..... B65D 83/04  
 206/538  
 D684,355 S \* 6/2013 Priebe ..... D3/203.3  
 D686,407 S \* 7/2013 Mazur ..... D3/203.3  
 D691,366 S \* 10/2013 Muncy ..... D3/203.3  
 D696,007 S \* 12/2013 Priebe ..... D3/203.3  
 D696,008 S \* 12/2013 Priebe ..... D3/203.3  
 D696,010 S \* 12/2013 Priebe ..... D3/203.3  
 D696,856 S \* 1/2014 Priebe ..... D3/203.3  
 D697,303 S \* 1/2014 Priebe ..... D3/203.3  
 D698,141 S \* 1/2014 Priebe ..... D3/203.3  
 D698,540 S \* 2/2014 Priebe ..... D3/203.3

D703,943 S \* 5/2014 Priebe ..... D3/203.3  
 D709,282 S \* 7/2014 Priebe ..... D3/203.3  
 D727,011 S \* 4/2015 Priebe ..... D3/203.3  
 9,066,849 B2 \* 6/2015 Fung ..... A61J 7/0436  
 9,161,885 B1 \* 10/2015 Zhou ..... A61J 7/0076  
 D747,869 S \* 1/2016 Priebe ..... D3/203.3  
 9,289,354 B2 \* 3/2016 Ryan ..... B65D 25/06  
 D761,009 S \* 7/2016 Jewell ..... D3/203.3  
 D775,462 S \* 1/2017 Noble ..... D3/203.3  
 D777,419 S \* 1/2017 Noble ..... D3/203.3  
 D799,813 S \* 10/2017 Wartenberg ..... D3/203.3  
 D812,368 S \* 3/2018 Noble ..... D3/203.3  
 9,937,101 B2 \* 4/2018 Sheu ..... B65D 83/0481  
 D831,331 S \* 10/2018 Lee ..... D3/203.3  
 D833,733 S \* 11/2018 Chen ..... D3/203.3  
 10,391,028 B2 \* 8/2019 Deluca ..... A61B 5/1174  
 10,420,703 B1 \* 9/2019 Lee ..... A61J 7/0084  
 D877,489 S \* 3/2020 Lee ..... D3/203.2  
 D882,940 S \* 5/2020 Am ..... D3/203.3  
 D882,941 S \* 5/2020 Deluca ..... D3/203.3  
 D895,958 S \* 9/2020 Guo ..... D3/203.3  
 D895,959 S \* 9/2020 Guo ..... D3/203.3  
 D897,665 S \* 10/2020 Guo ..... D3/203.3  
 D897,666 S \* 10/2020 Guo ..... D3/203.3  
 D898,344 S \* 10/2020 Lee ..... D3/203.3  
 D898,345 S \* 10/2020 Lee ..... D3/203.3  
 D898,346 S \* 10/2020 Lee ..... D3/203.3  
 D898,348 S \* 10/2020 Guo ..... D3/203.3

OTHER PUBLICATIONS

Zikee Monthly Pill Organizer, amazon.com, [https://www.amazon.com/ZIKEE-Organizer-Compartments-Supplements-Medications/dp/B08DQTM8Q/ref=sr\\_1\\_4?dchild=1&keywords=ZIKEE&qid=1612361386&sr=8-4](https://www.amazon.com/ZIKEE-Organizer-Compartments-Supplements-Medications/dp/B08DQTM8Q/ref=sr_1_4?dchild=1&keywords=ZIKEE&qid=1612361386&sr=8-4) (Year: 2020).\*

\* cited by examiner

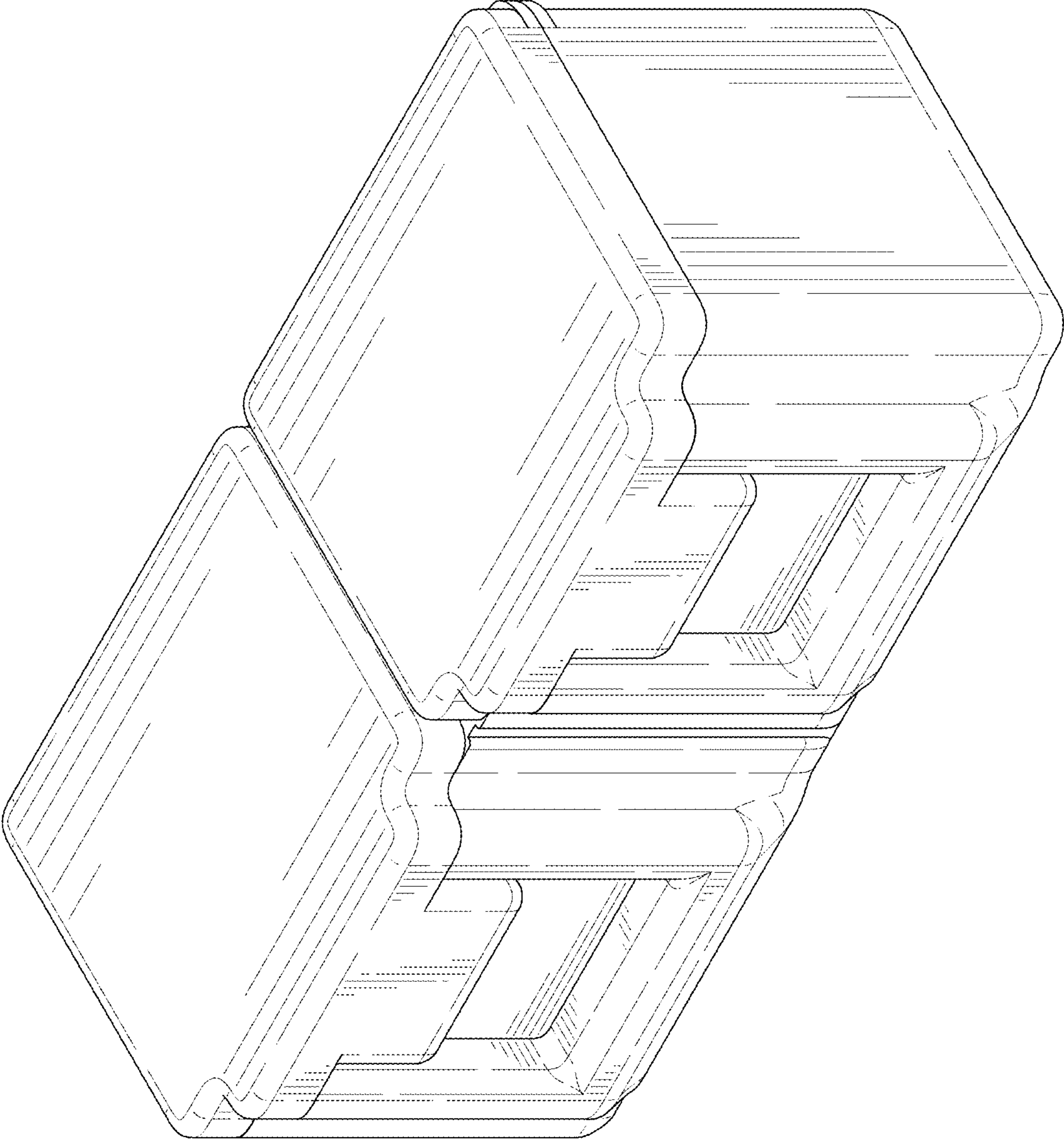


FIG. 1

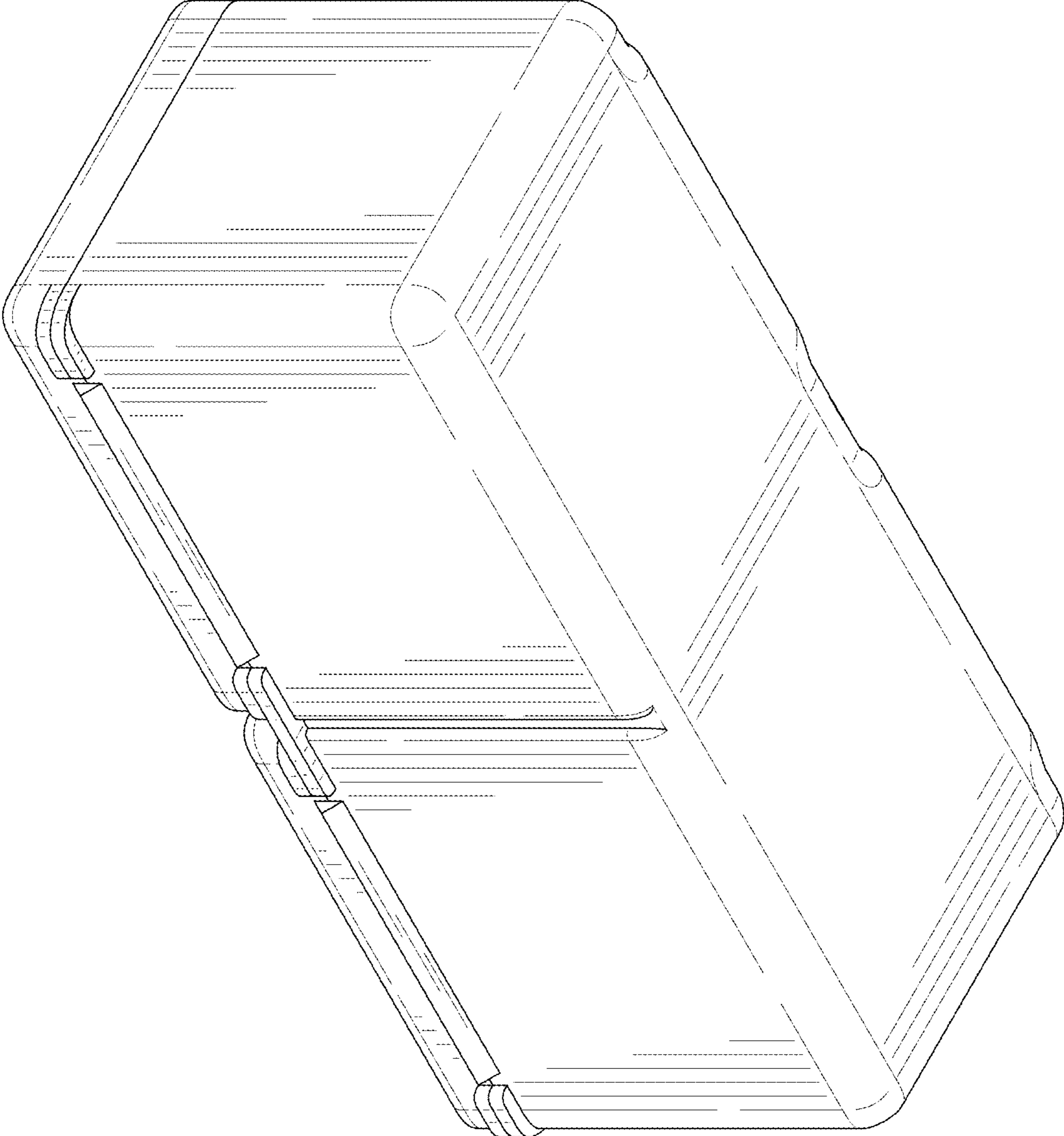


FIG. 2

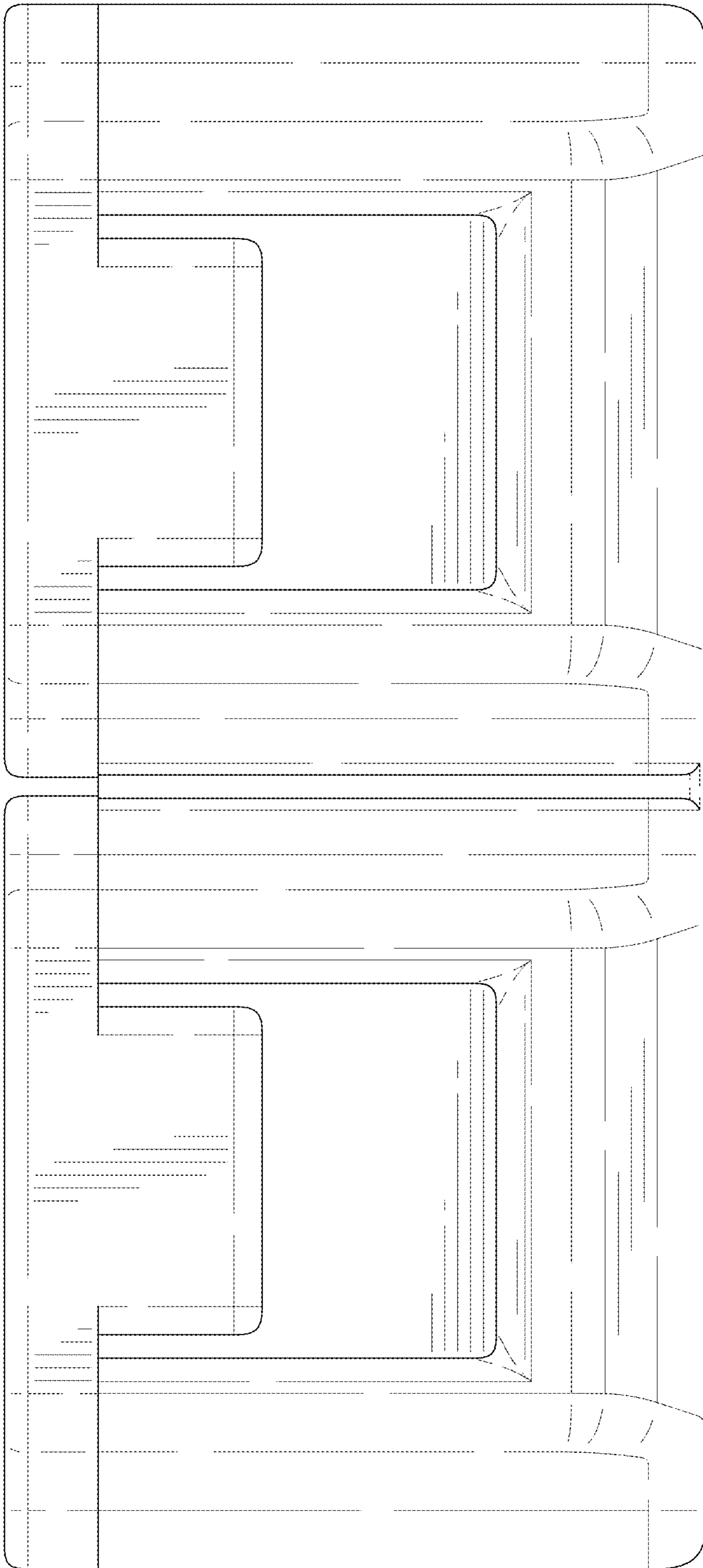


FIG. 3

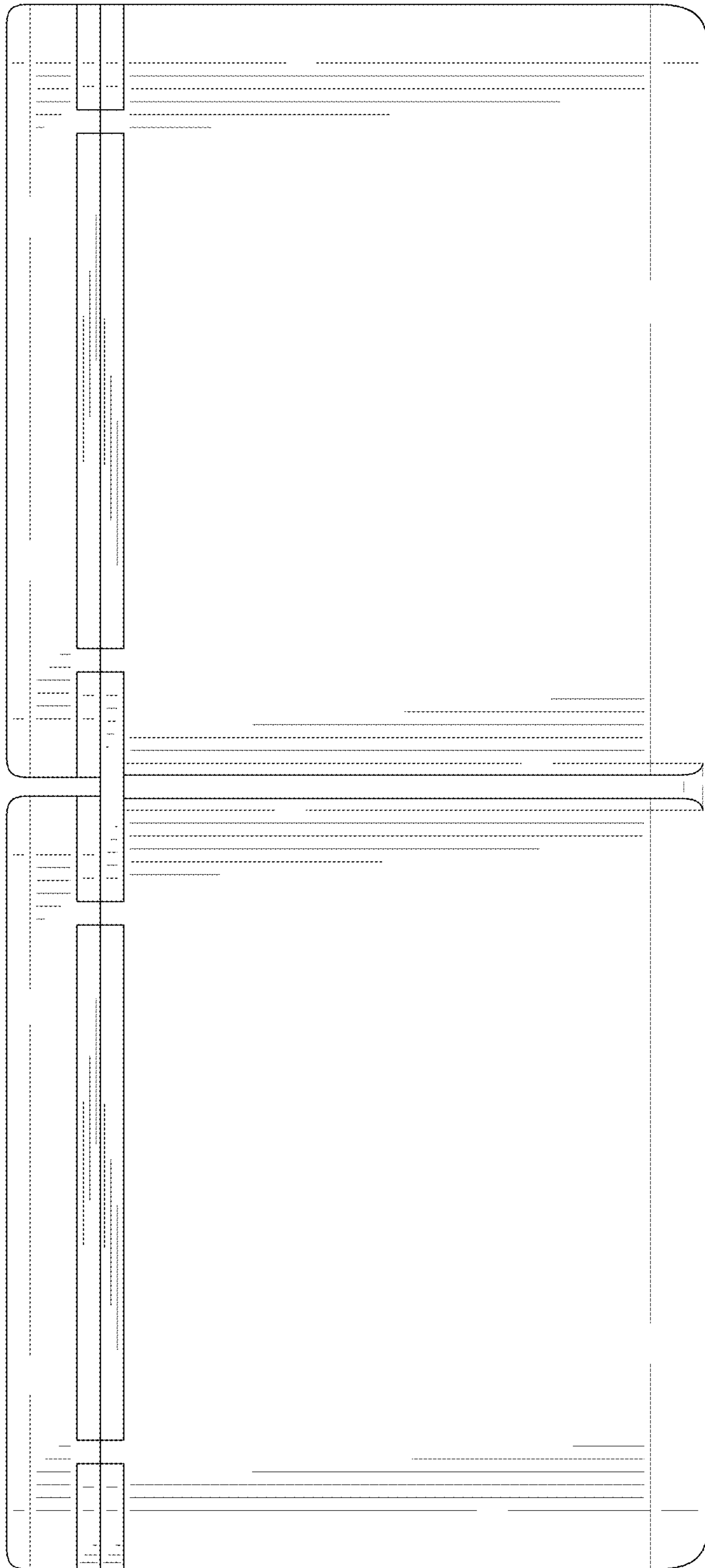


FIG. 4

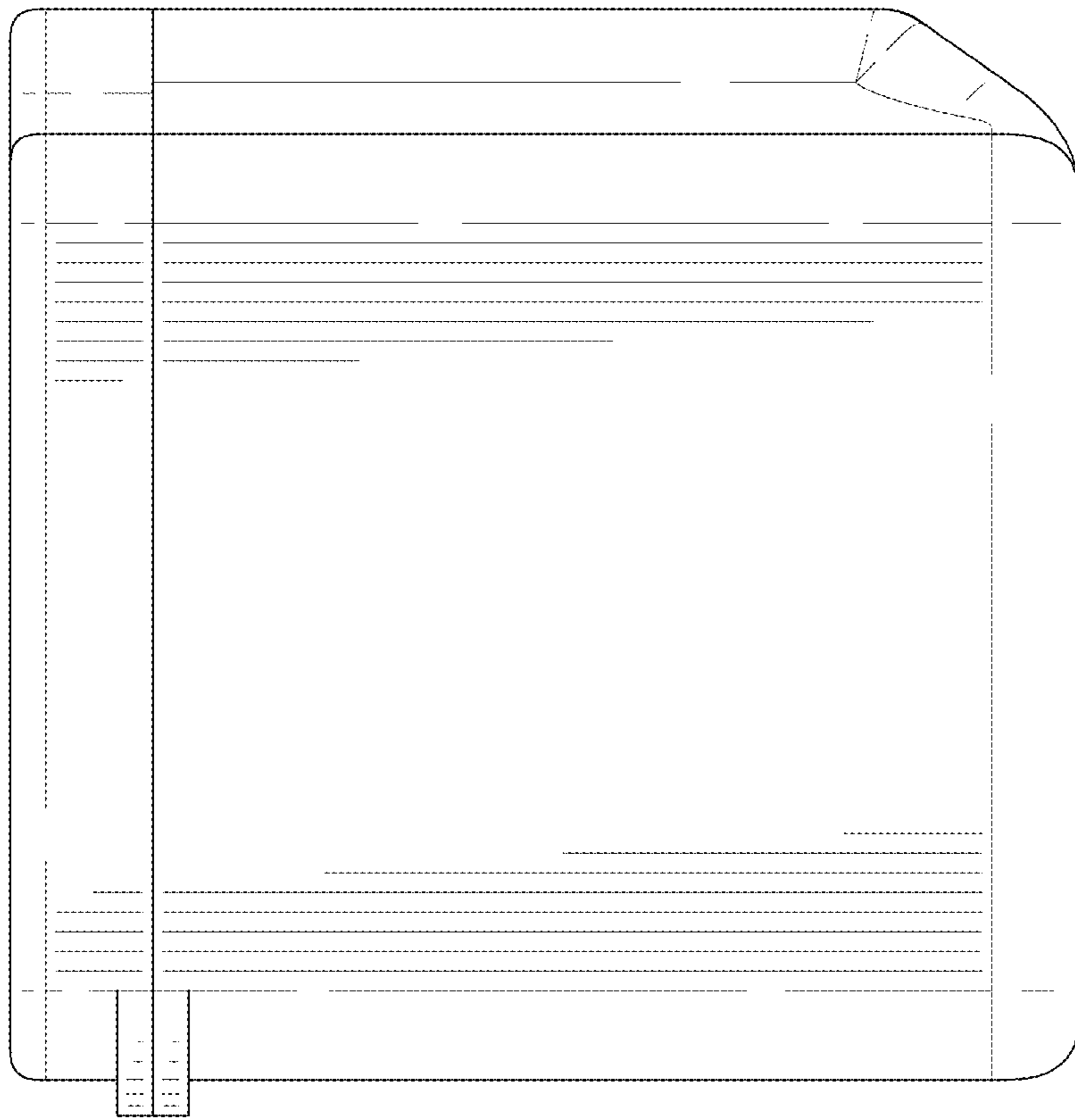


FIG. 5

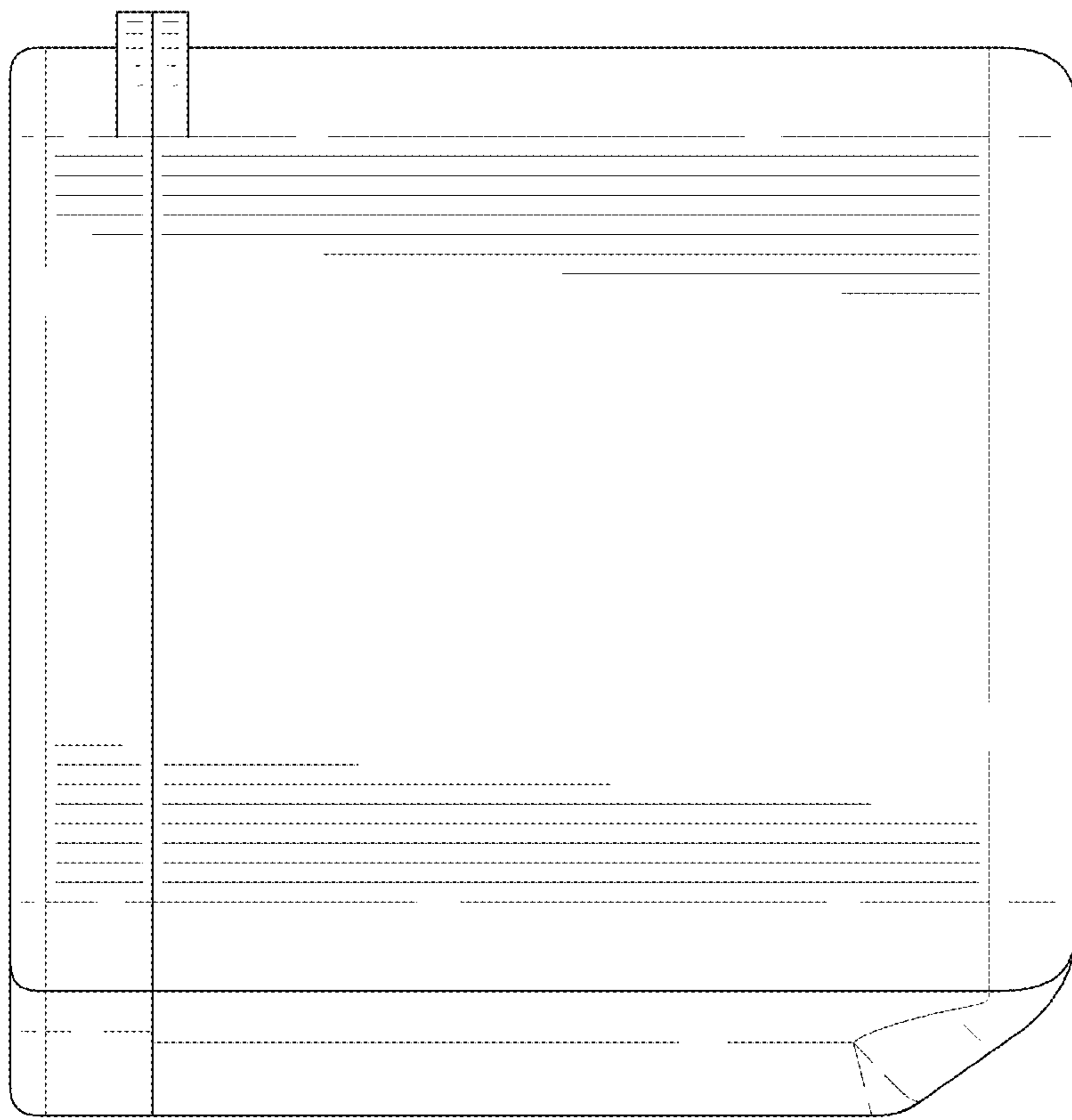


FIG. 6



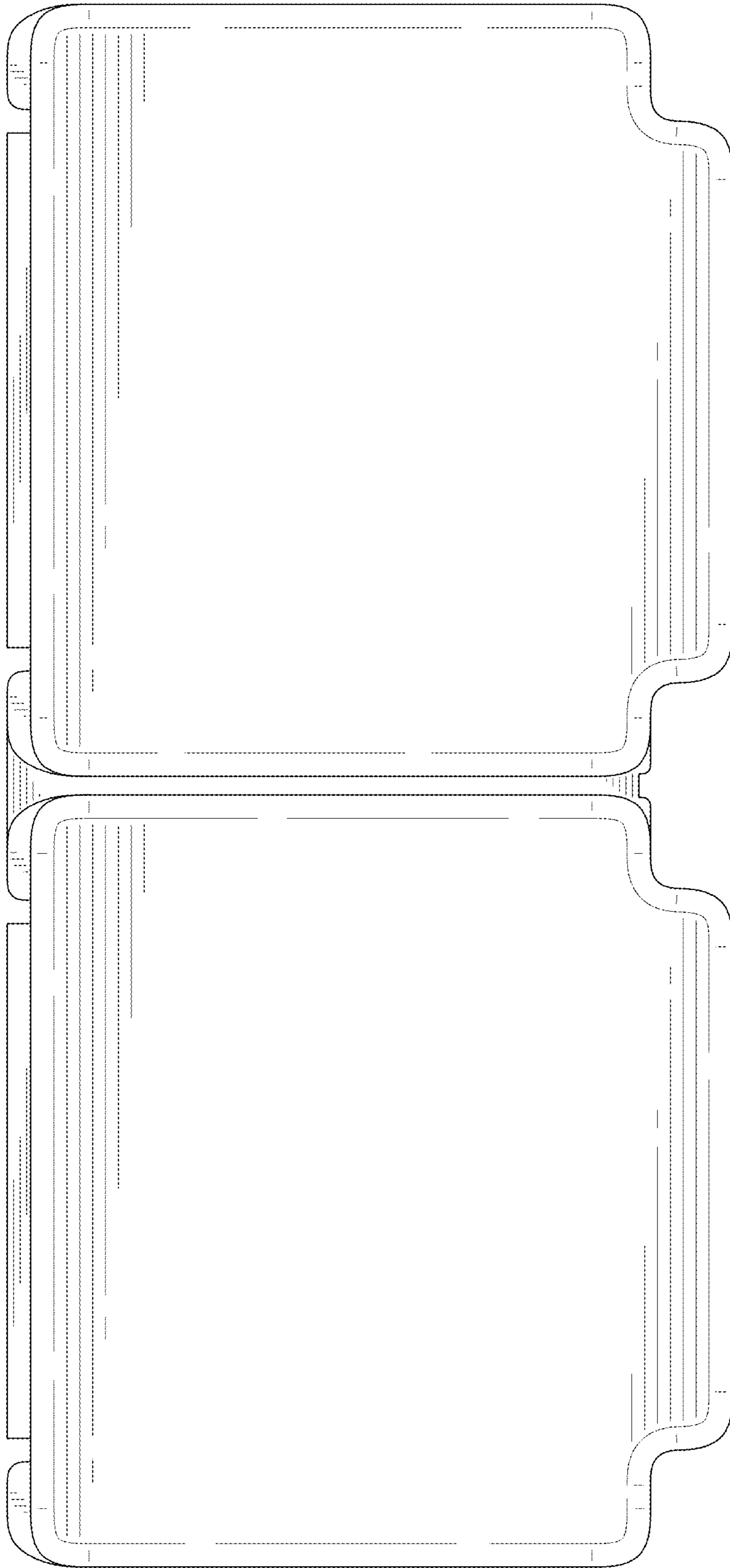


FIG. 7

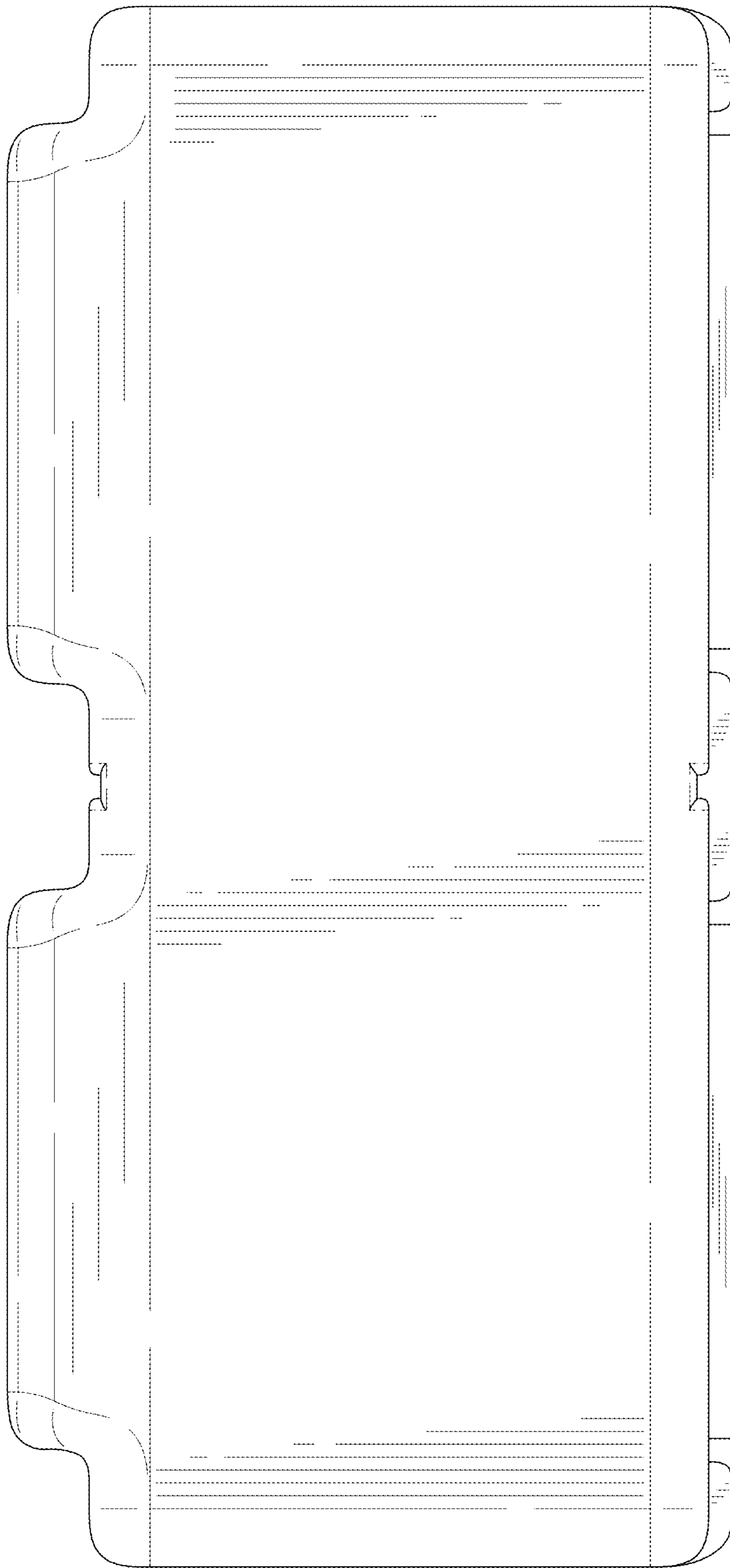


FIG. 8

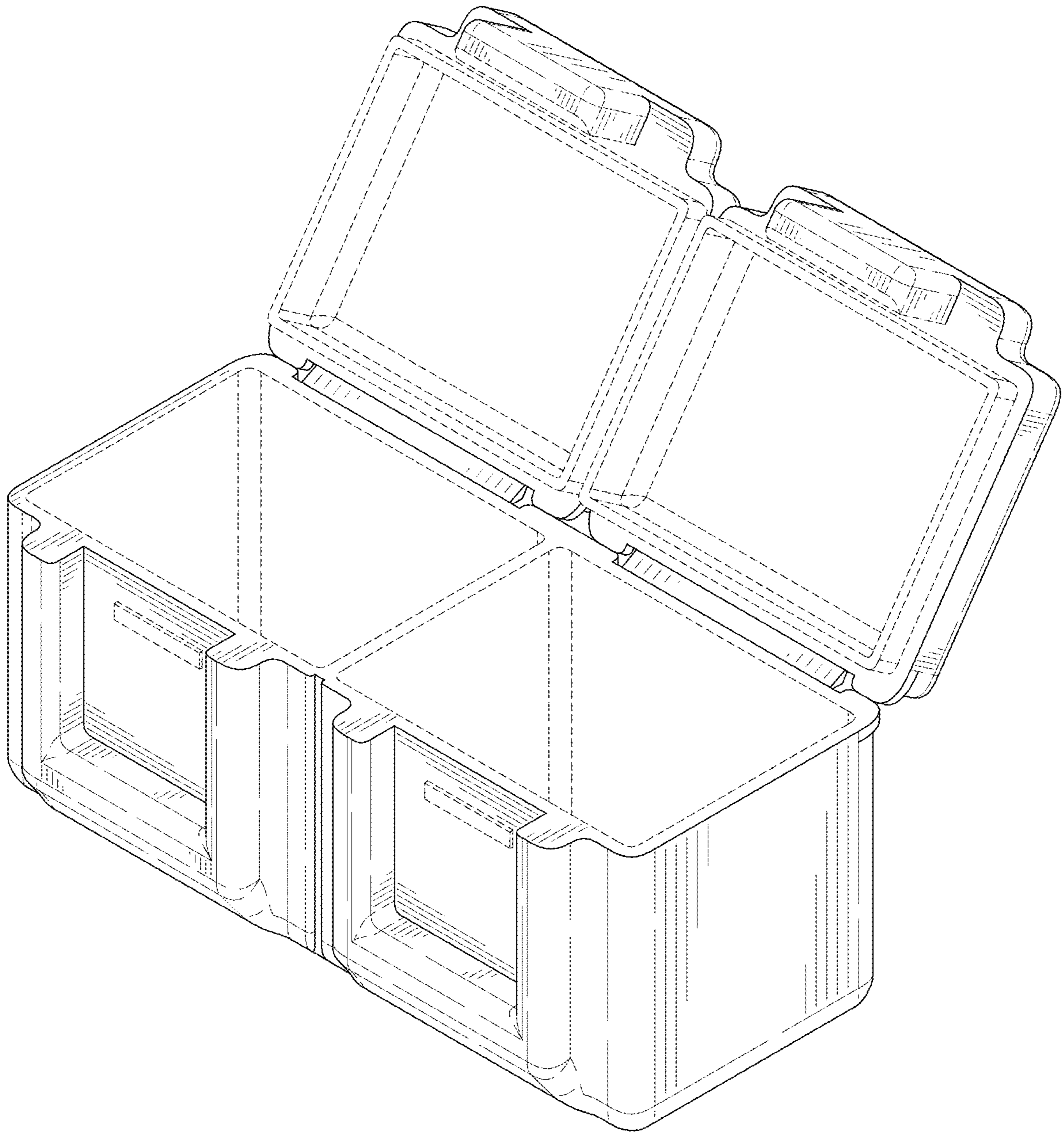


FIG. 9