



US00D916454S

(12) **United States Design Patent**
Guo

(10) **Patent No.:** **US D916,454 S**
(45) **Date of Patent:** **** Apr. 20, 2021**

(54) **TOY STORAGE**

(71) Applicant: **Ling Guo**, Taiyuan (CN)

(72) Inventor: **Ling Guo**, Taiyuan (CN)

(**) Term: **15 Years**

(21) Appl. No.: **29/752,456**

(22) Filed: **Sep. 28, 2020**

(51) **LOC (13) Cl.** **03-01**

(52) **U.S. Cl.**
USPC **D3/201**

(58) **Field of Classification Search**
USPC D21/300, 419; D3/289, 201, 204, 273,
D3/274, 232, 269, 294, 903; D9/414
CPC .. A45F 4/02; B65D 25/02; A45C 9/00; A63H
33/00
See application file for complete search history.

(56) **References Cited**

U.S. PATENT DOCUMENTS

5,088,139	A *	2/1992	Bloom	A47D 13/063 190/1
D454,236	S *	3/2002	Kaplan	D30/118
2009/0057308	A1 *	3/2009	Rothschild	A63H 33/006 220/7
2012/0128268	A1 *	5/2012	Fazackerley	A45C 13/1046 383/4
2013/0252501	A1 *	9/2013	Rose	A63H 33/00 446/26
2013/0280983	A1 *	10/2013	Fair	B62B 3/1448 446/227
2013/0280984	A1 *	10/2013	Fair	B62B 3/1448 446/227
2015/0020309	A1 *	1/2015	Pitchforth	A47C 27/081 5/413 AM
2015/0343324	A1 *	12/2015	Moyer	A63H 33/42 446/268
2016/0318675	A1 *	11/2016	Chan	A63H 33/42

2017/0196390	A1 *	7/2017	Flynn-Kirkpatrick	A47D 15/003
2019/0022541	A1 *	1/2019	Reese	A63H 33/006
2019/0350349	A1 *	11/2019	Hinkle	B65D 25/02
2021/0015271	A1 *	1/2021	Lyons	A47D 11/00

OTHER PUBLICATIONS

“ISFC Toy Storage Organizer—Boy Girl Toys, Toy Storage Basket and Play Mat, Innovative Functions Design, Polyester Collapsible Portable Toy Storage, Waterproof large toy storage, Keep Your Room Tidy”, Retrieved Sep. 27, 2020. Retrieved from Internet, <https://www.amazon.com/ISFC-Toy-Storage-Organizer-Collapsible/dp/B088PM83FK/>.

“Creative QT Mini SlideAway Toy Storage Bag and Play Mat—Available in Multiple Patterns—Grey Triangle Toy Bag”, Retrieved Sep. 27, 2020. Retrieved from Internet, <https://www.amazon.com/Creative-QT-Mini-Slide/Away-Storage/dp/B081TMFZ2Y/>.

* cited by examiner

Primary Examiner — Mitchell I. Siegel

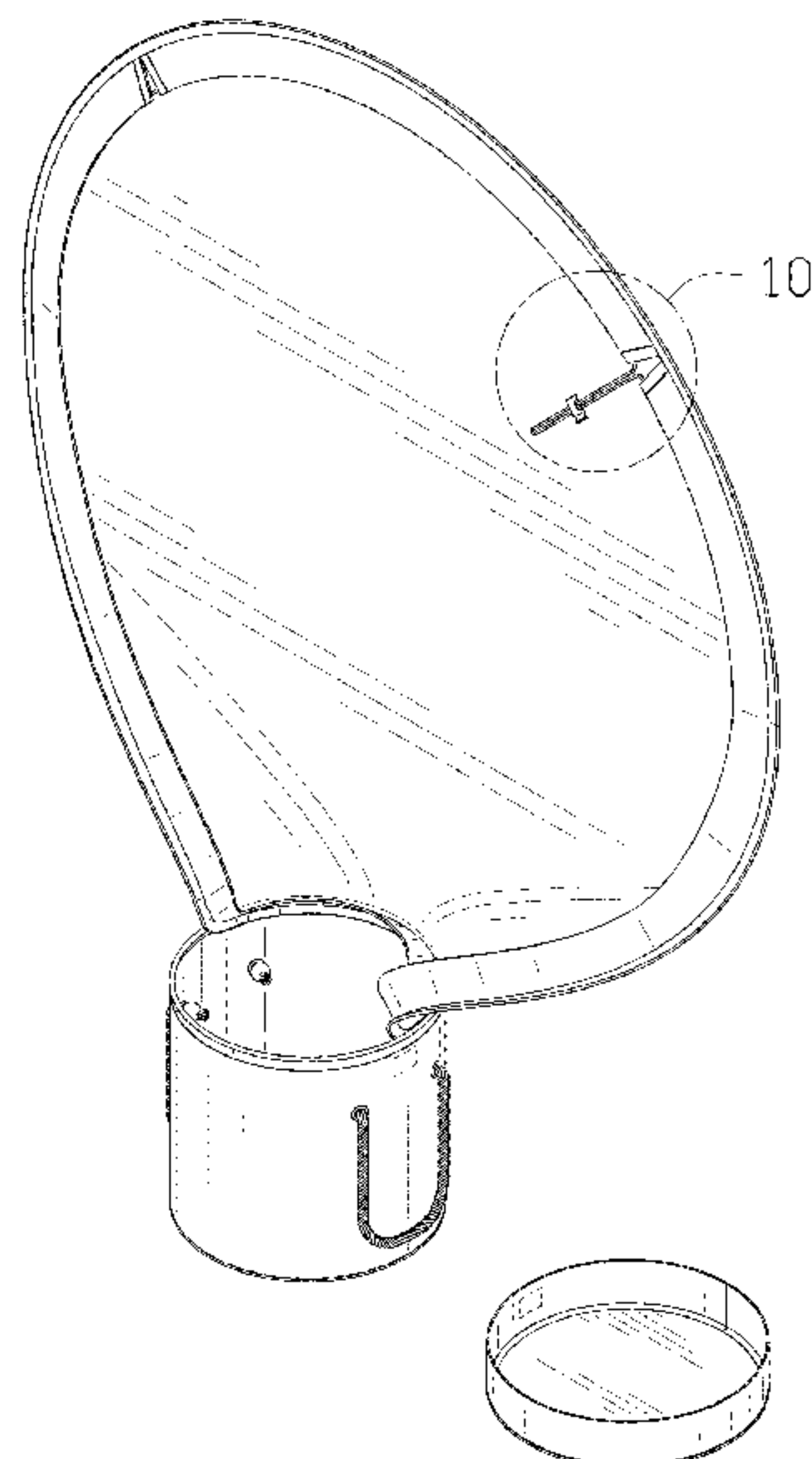
(57) **CLAIM**

The ornamental design for a toy storage, as shown and described.

DESCRIPTION

FIG. 1 is a perspective view of a toy storage showing my new design;
FIG. 2 is another perspective view thereof;
FIG. 3 is a front elevational view thereof;
FIG. 4 is a rear elevational view thereof;
FIG. 5 is a left side elevational view thereof;
FIG. 6 is a right side elevational view thereof;
FIG. 7 is a top plan view thereof;
FIG. 8 is a bottom plan view thereof;
FIG. 9 is a perspective view of the toy storage where the toy storage is in a configuration of use; and,
FIG. 10 is an enlarged view of portion 10 shown in FIG. 1. The broken lines in the drawings depict portions of the toy storage that form no part of the claimed design.

1 Claim, 10 Drawing Sheets



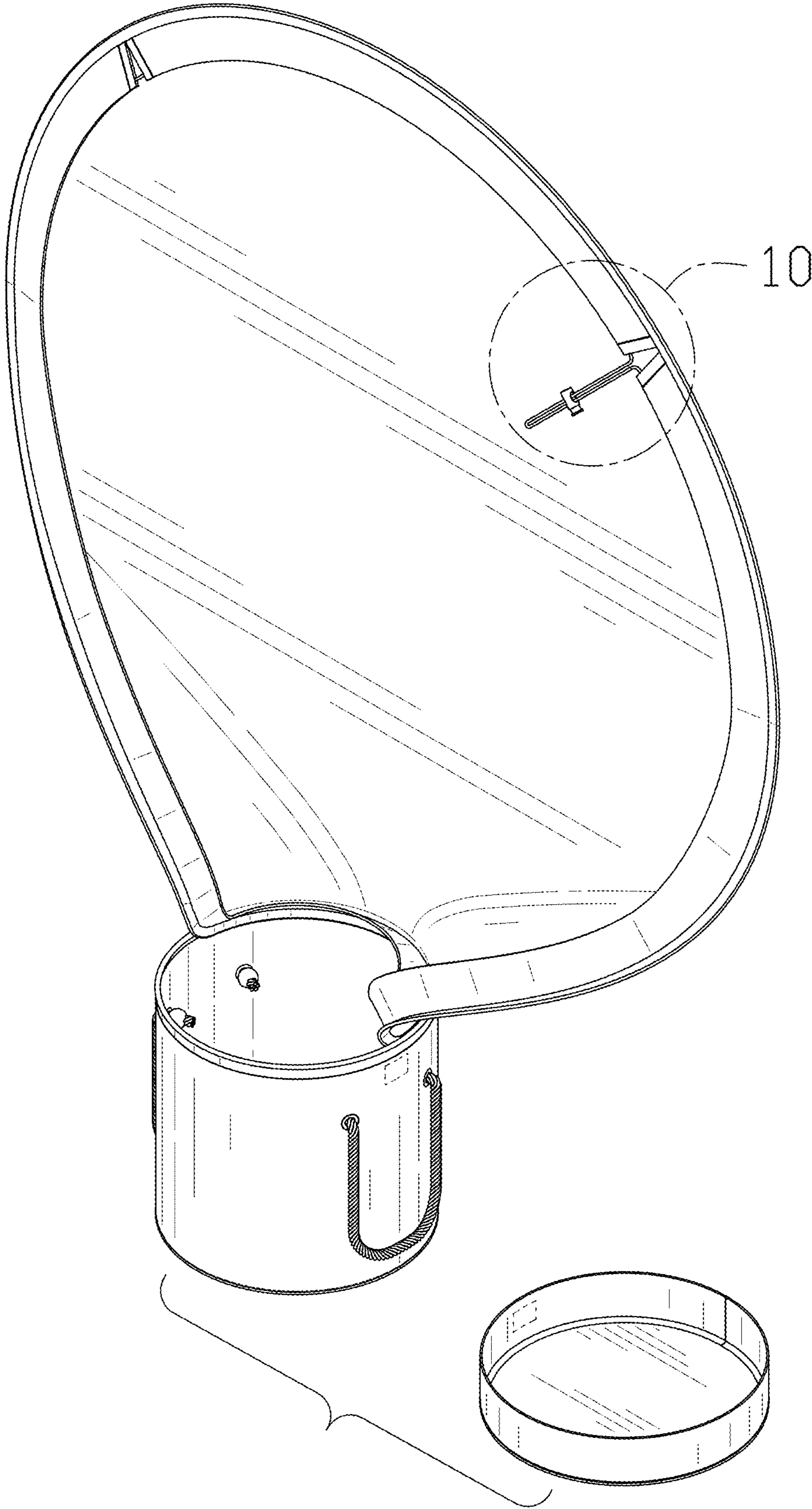


FIG. 1

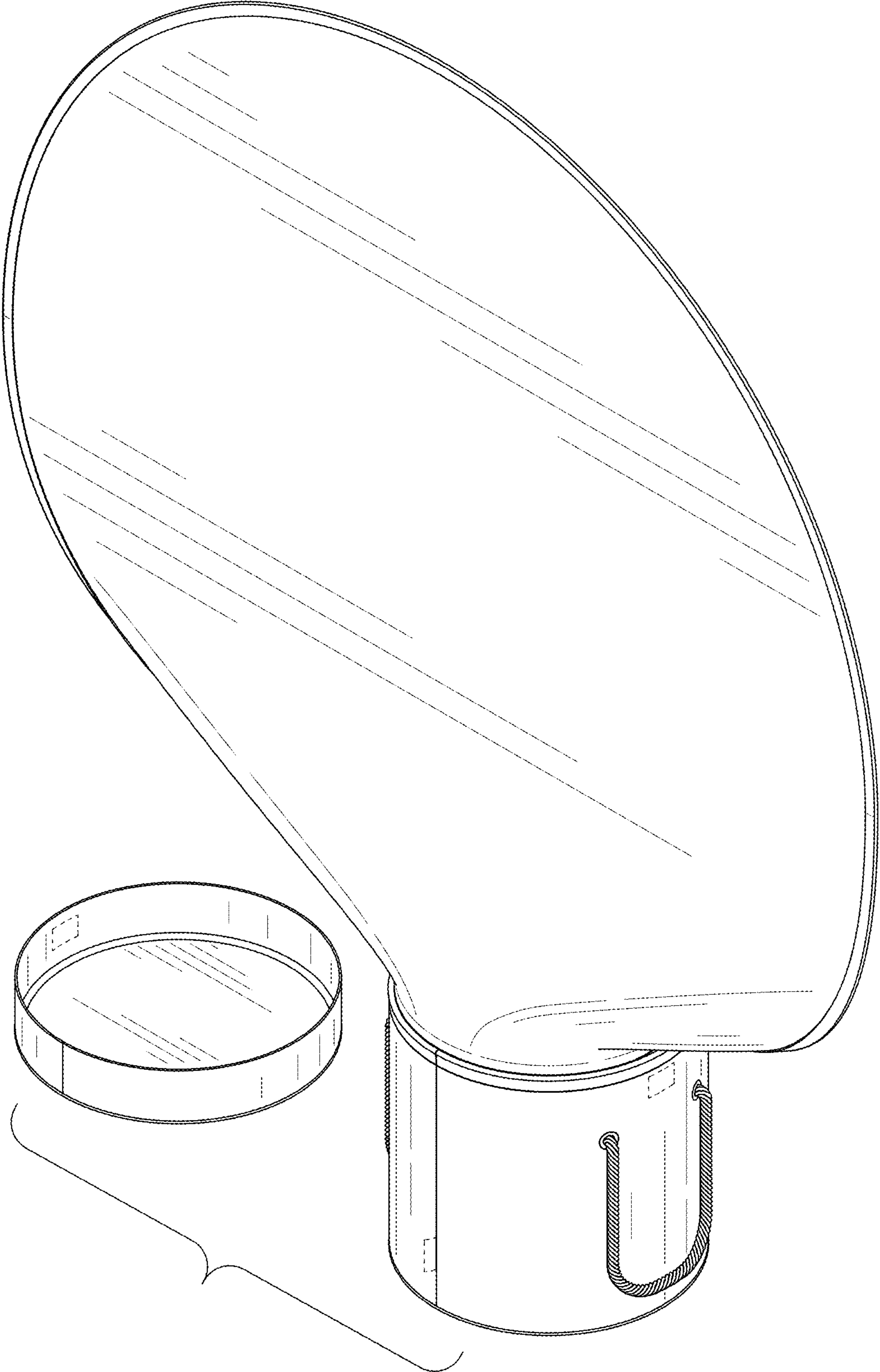


FIG. 2

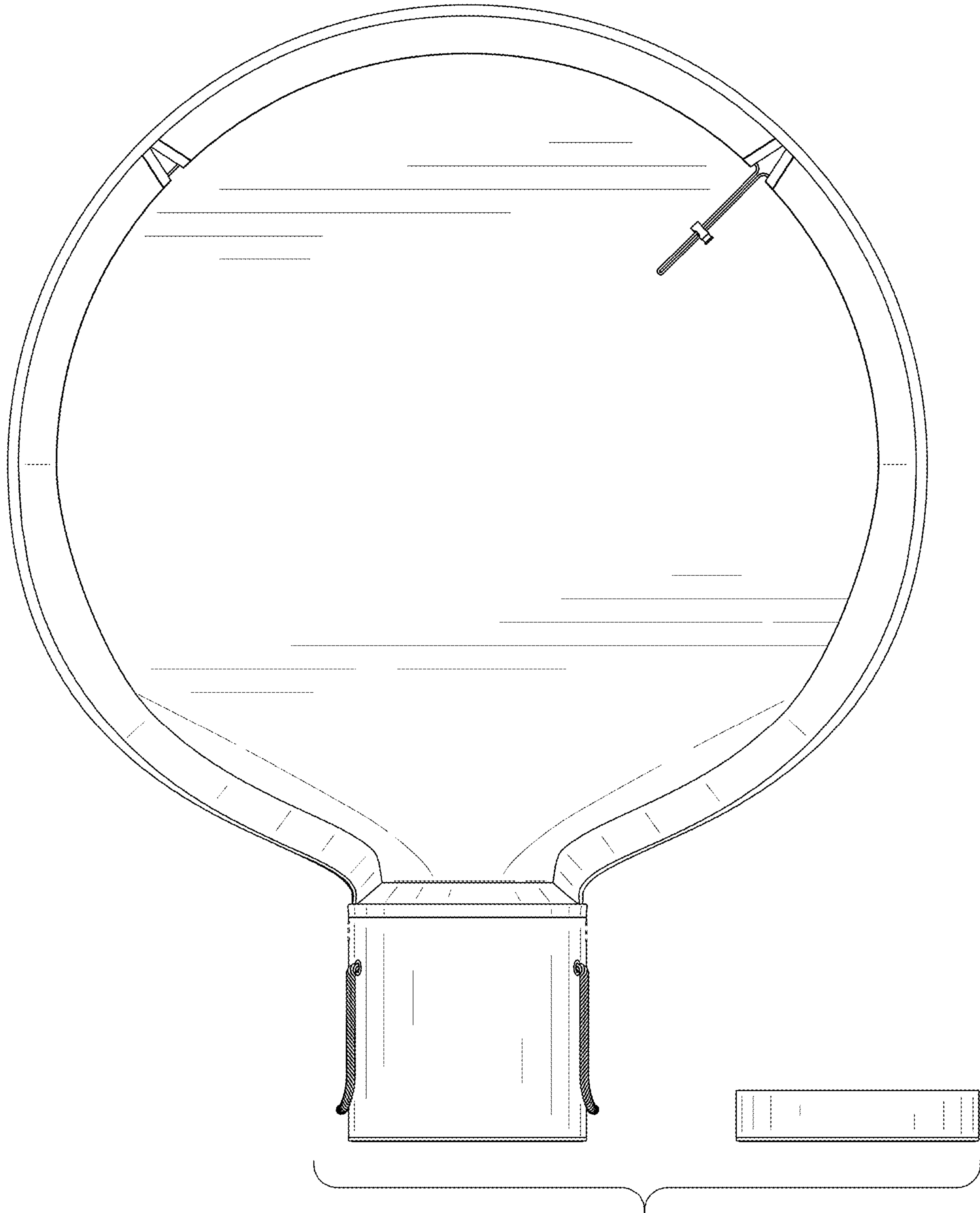


FIG. 3

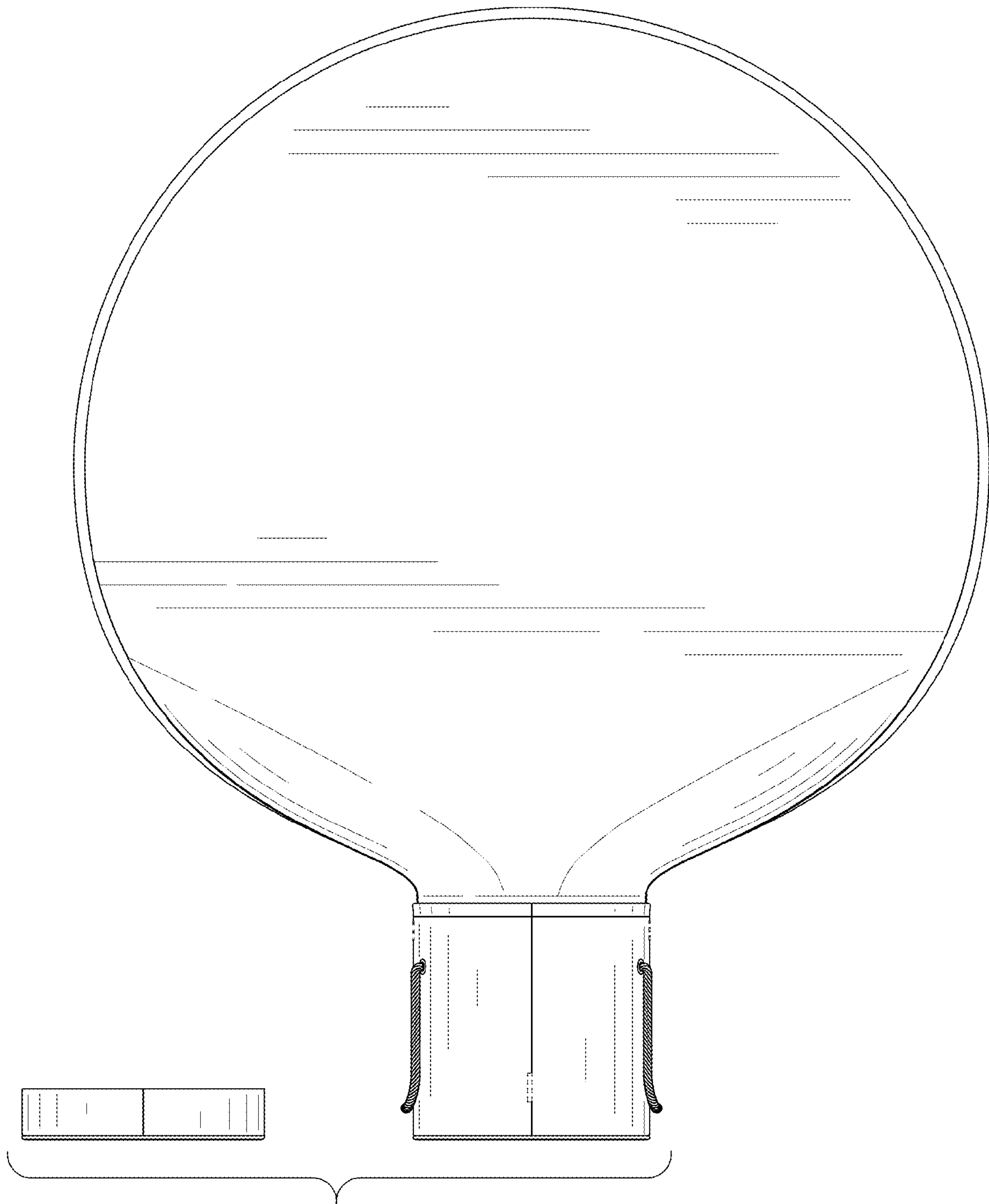


FIG. 4

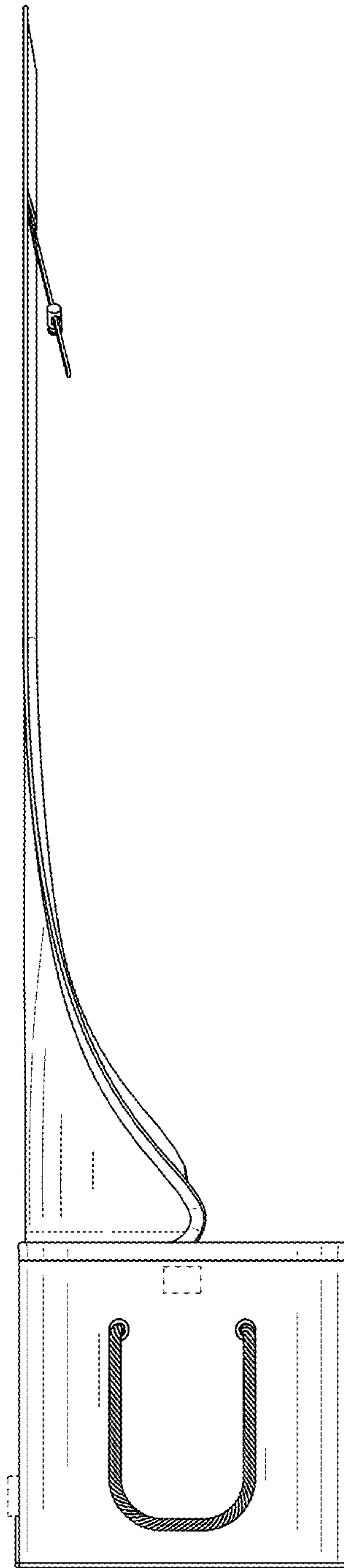


FIG. 5

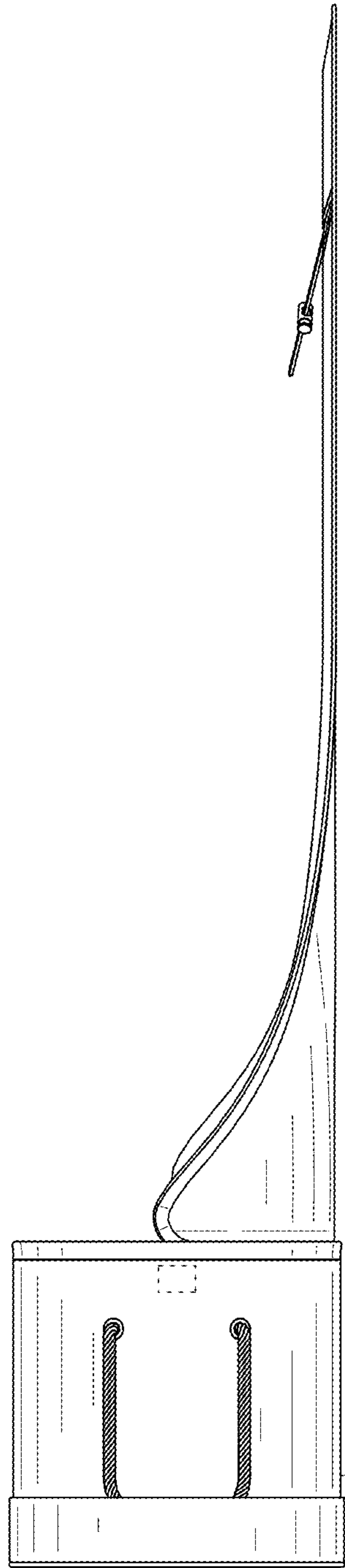


FIG. 6

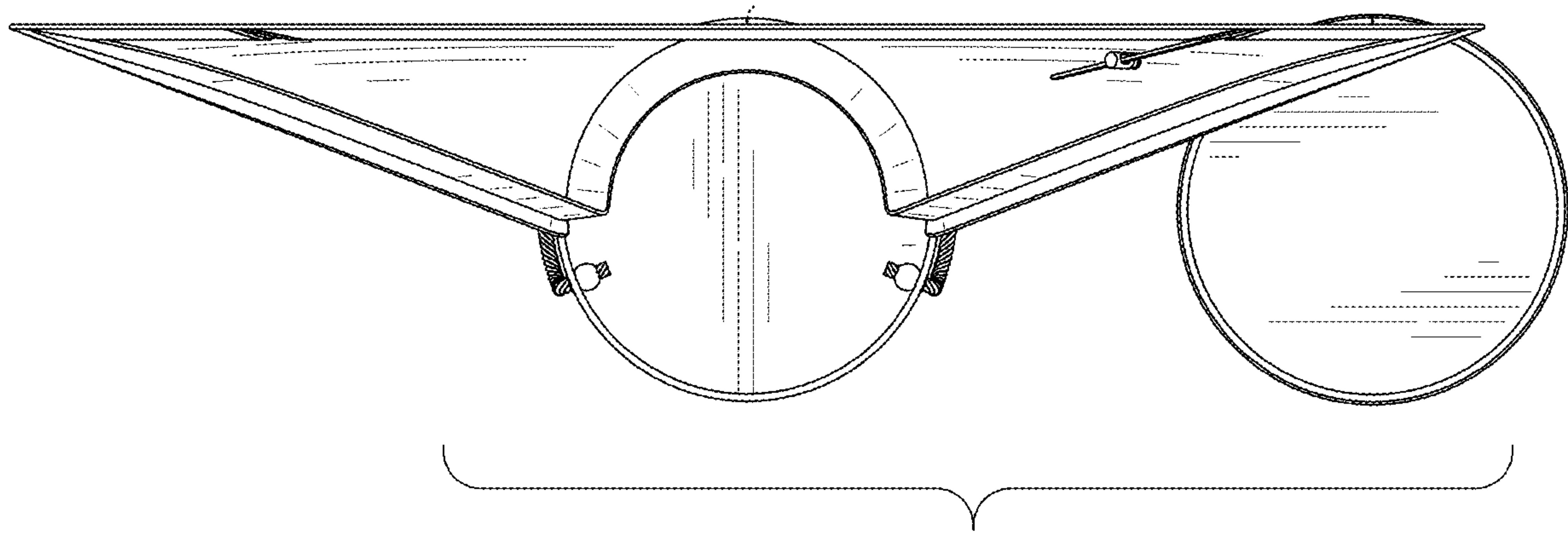


FIG. 7

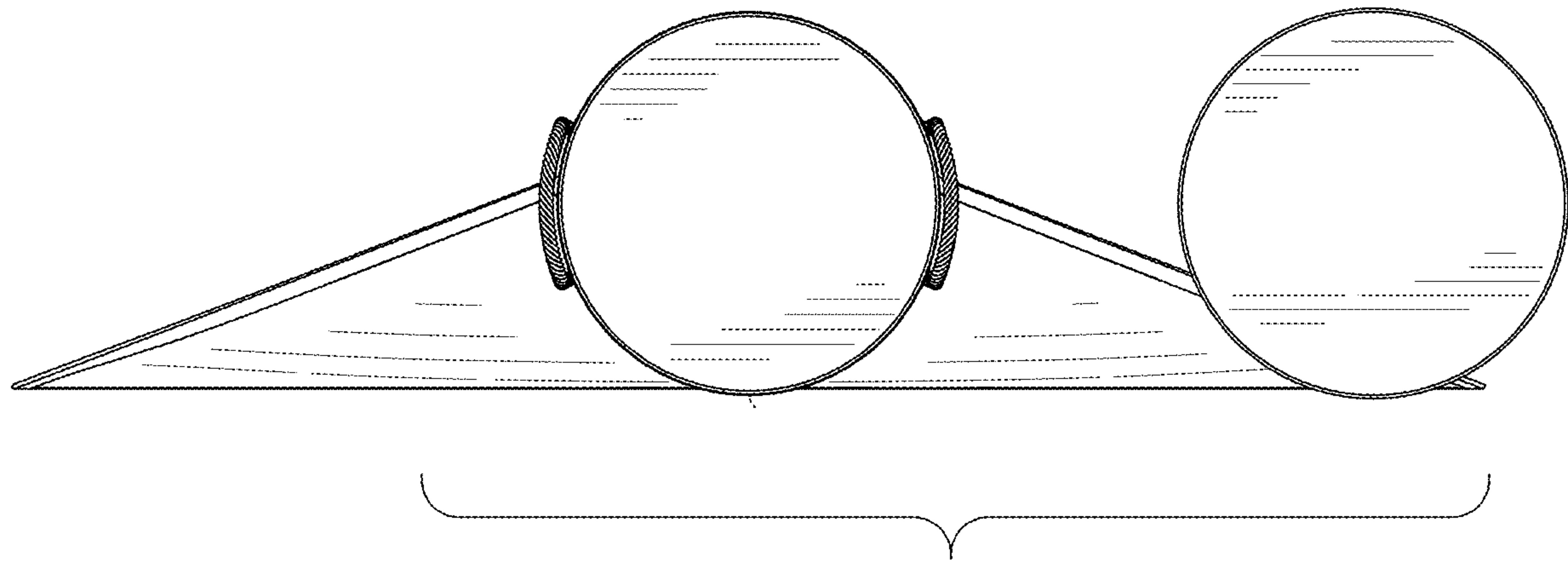


FIG. 8

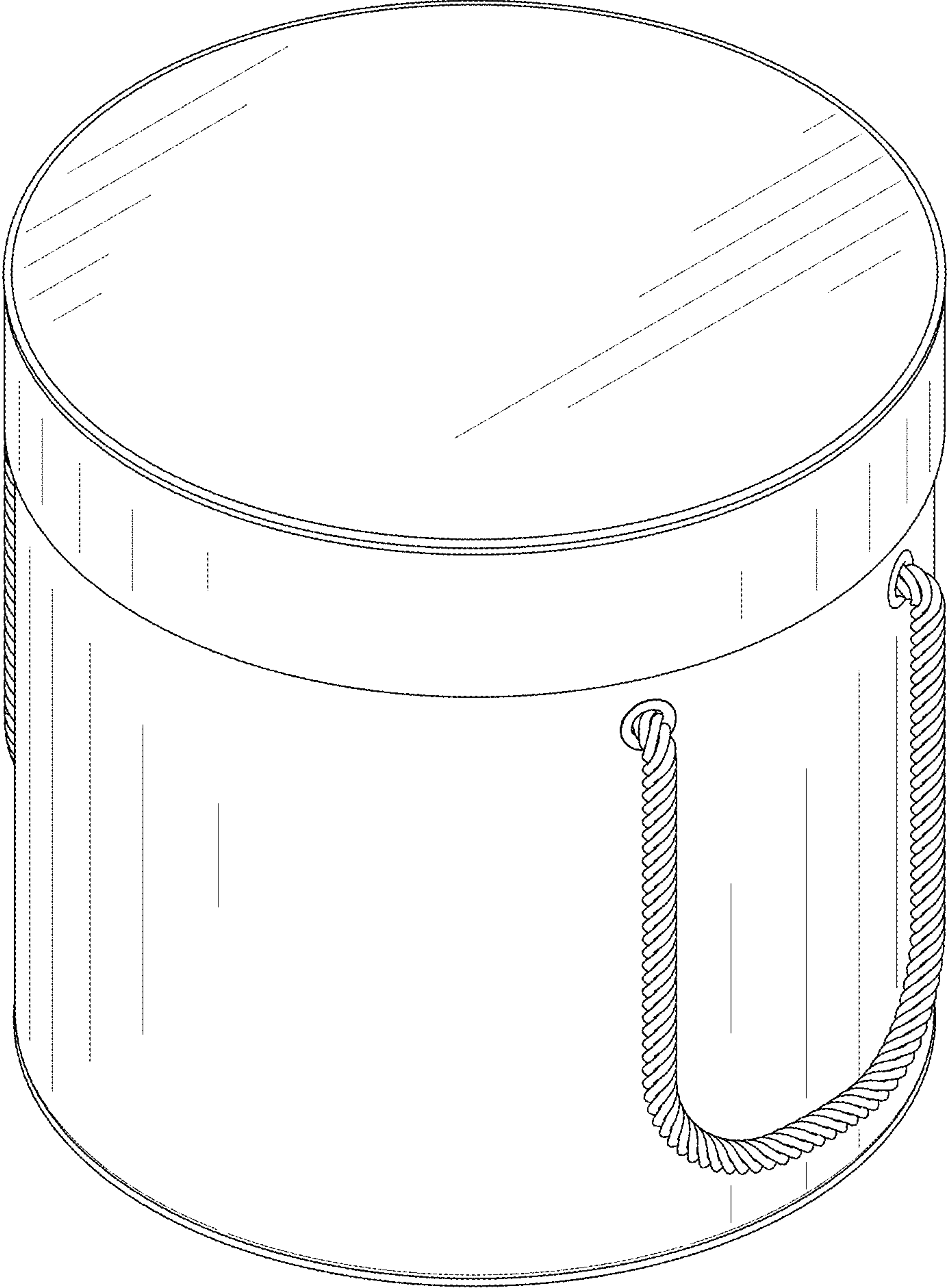


FIG. 9

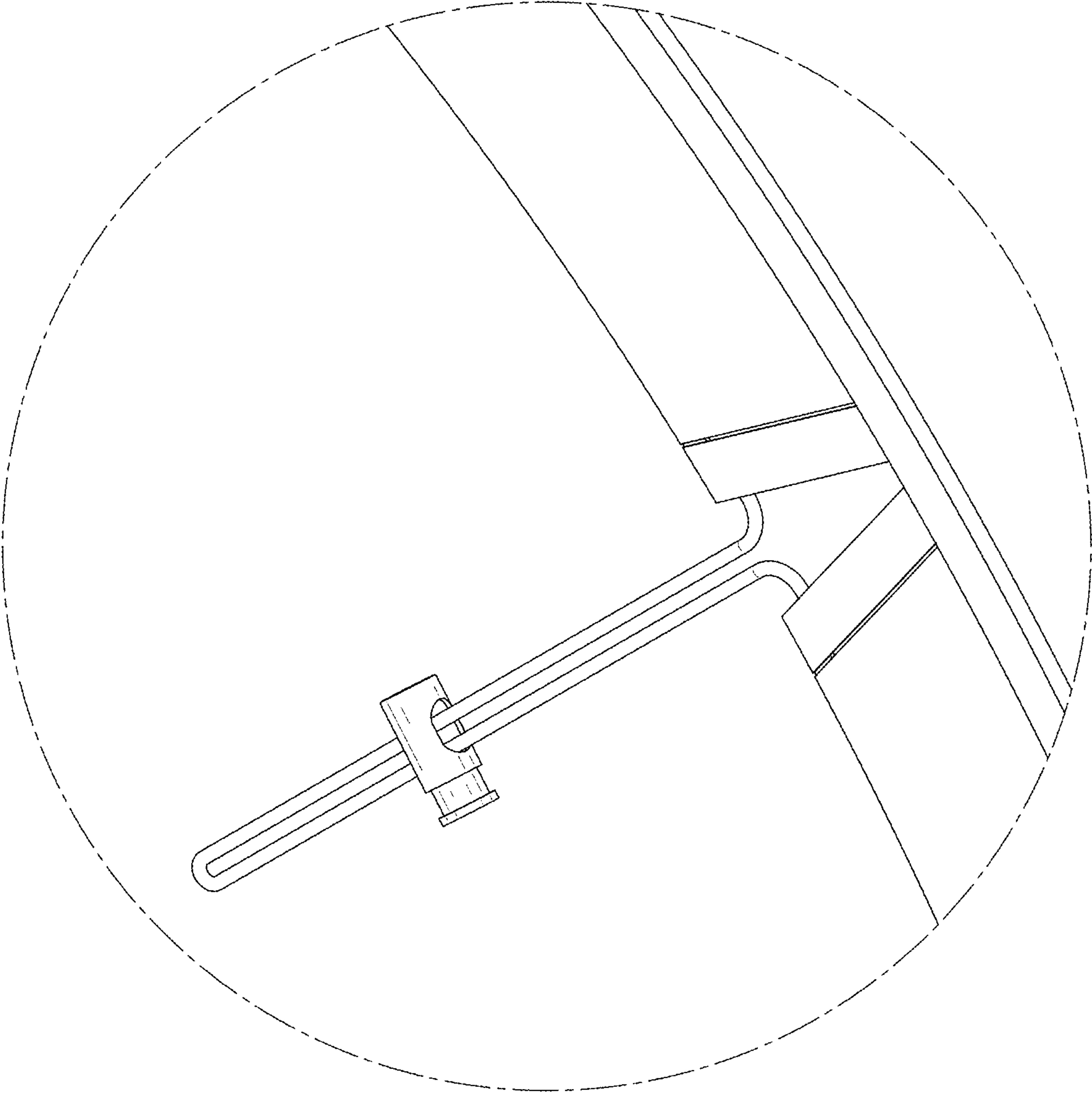


FIG. 10