



US00D916443S

(12) **United States Design Patent**
Chen

(10) **Patent No.:** **US D916,443 S**

(45) **Date of Patent:** **** Apr. 20, 2021**

(54) **PAIR OF SHOES**

(71) Applicant: **Shengfeng Chen**, Fuzhou (CN)

(72) Inventor: **Shengfeng Chen**, Fuzhou (CN)

(**) Term: **15 Years**

(21) Appl. No.: **29/750,624**

(22) Filed: **Sep. 15, 2020**

(51) **LOC (13) Cl.** **02-04**

(52) **U.S. Cl.**
USPC **D2/919**

(58) **Field of Classification Search**
USPC D2/896-900, 916, 917, 918, 919, 946,
D2/969, 972
CPC .. A43B 3/12; A43B 3/10; A43B 3/128; A43B
3/00
See application file for complete search history.

(56) **References Cited**

U.S. PATENT DOCUMENTS

D130,268 S	*	11/1941	Creed	D2/919
D275,145 S	*	8/1984	Glatz	D2/916
D332,687 S	*	1/1993	Altman	D2/897
D417,771 S	*	12/1999	Blanco	D2/897
D471,346 S	*	3/2003	Bray, Jr.	D2/919
D481,861 S	*	11/2003	Robbins	D2/916
D535,090 S	*	1/2007	Belley	D2/969

D866,941 S	*	11/2019	Kim	D2/969
D878,718 S		3/2020	Post et al.		
D884,318 S		5/2020	Picerno		

* cited by examiner

Primary Examiner — Rashida C. Walshon
(74) *Attorney, Agent, or Firm* — ScienBiziP, P.C.

(57) **CLAIM**

The ornamental design for a pair of shoes, as shown and described.

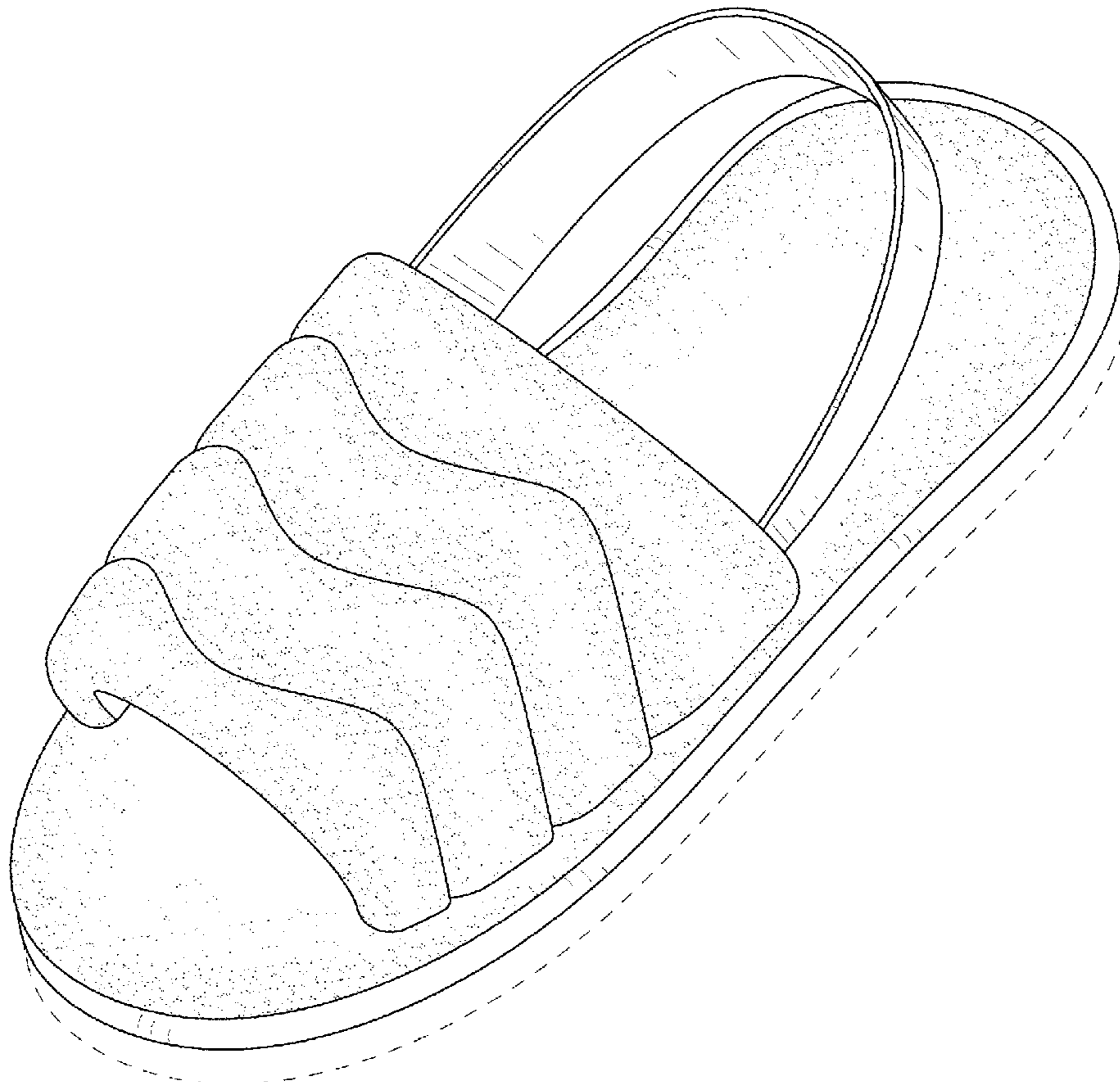
DESCRIPTION

FIG. 1 is a perspective view of a pair of shoes, showing my design.
FIG. 2 is a front elevation view thereof.
FIG. 3 is a rear elevation view thereof.
FIG. 4 is a left side elevation thereof.
FIG. 5 is a right side elevation thereof.
FIG. 6 is a top plan view thereof; and,
FIG. 7 is a bottom plan view thereof.

The drawings show a left shoe of the pair of shoes. A right shoe is also claimed and is a mirror image of the left shoe shown.

The broken lines in the drawings depict environmental structure and boundaries and form no part of the claimed design.

1 Claim, 7 Drawing Sheets



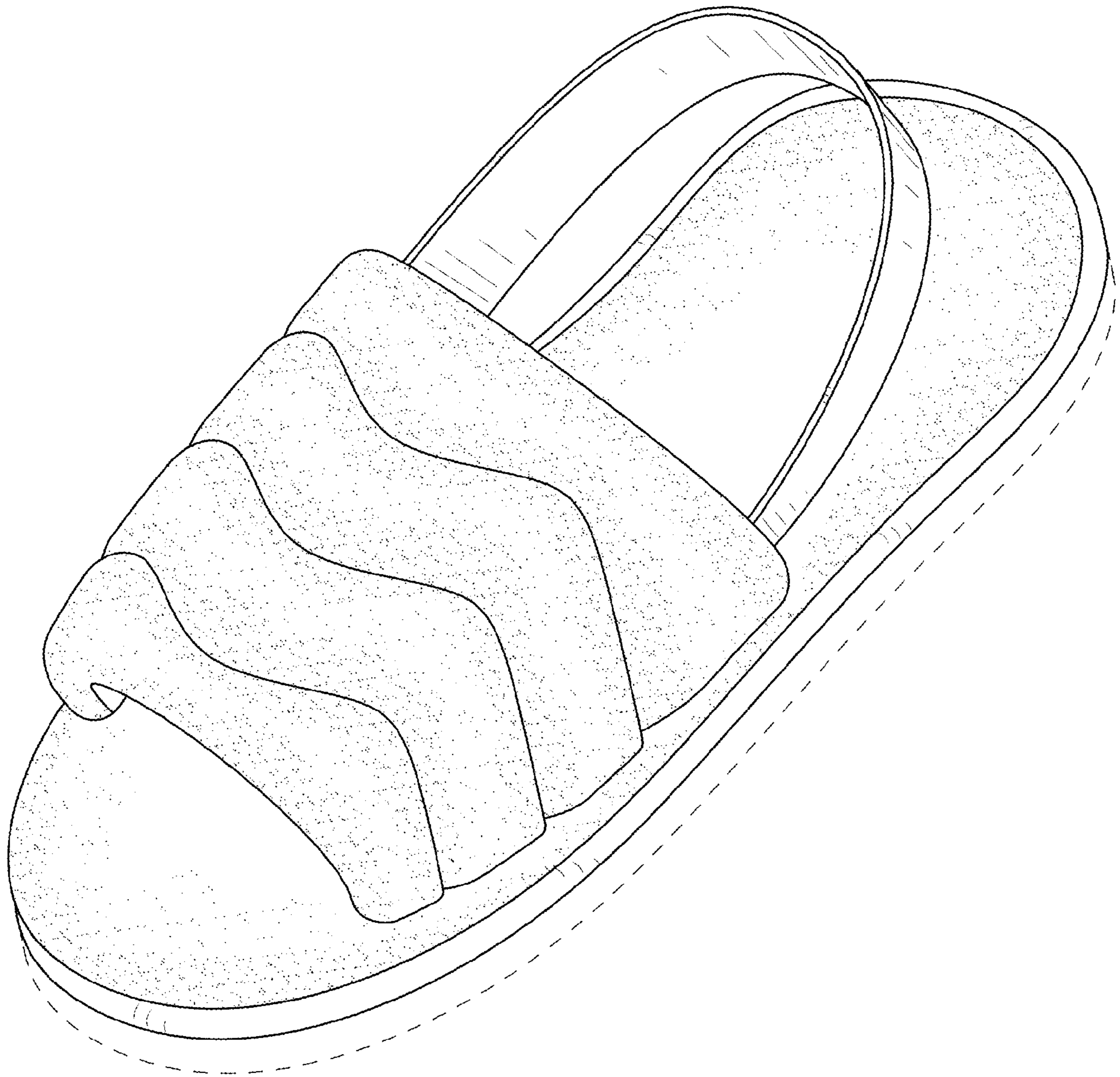


FIG. 1

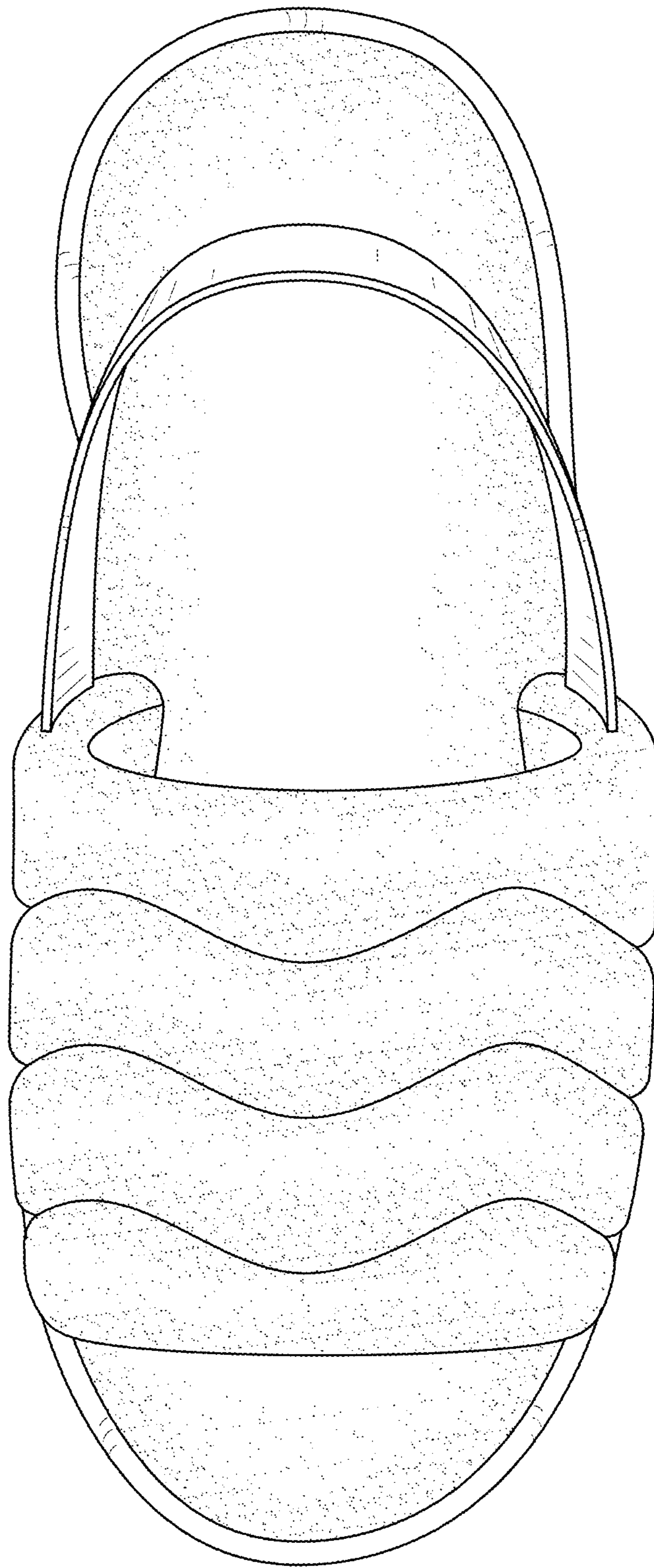


FIG. 2

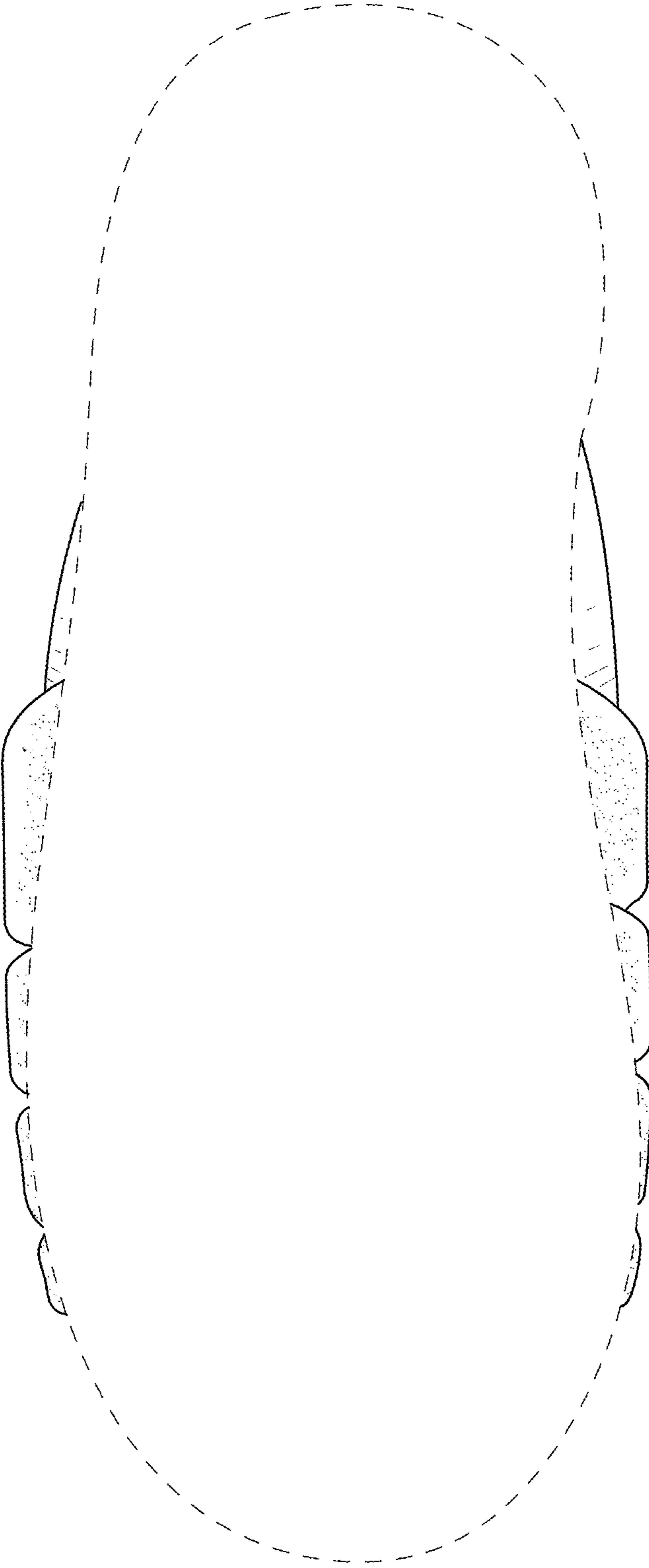


FIG. 3

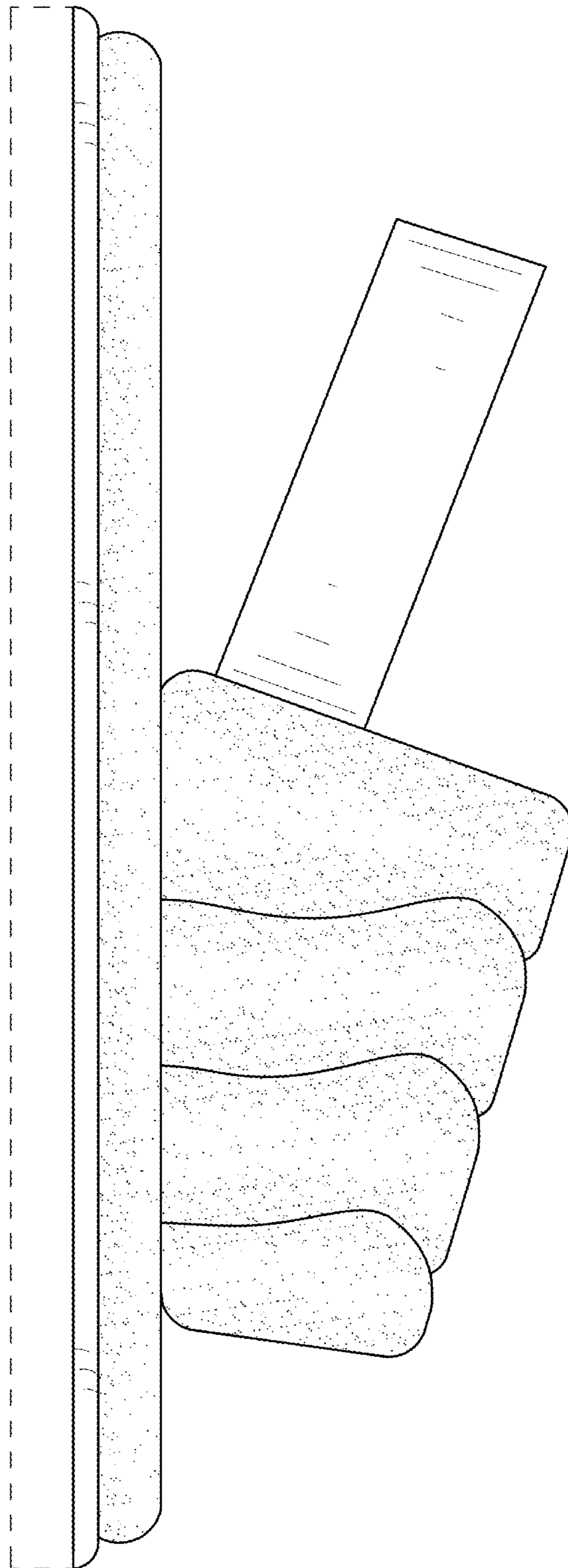


FIG. 4

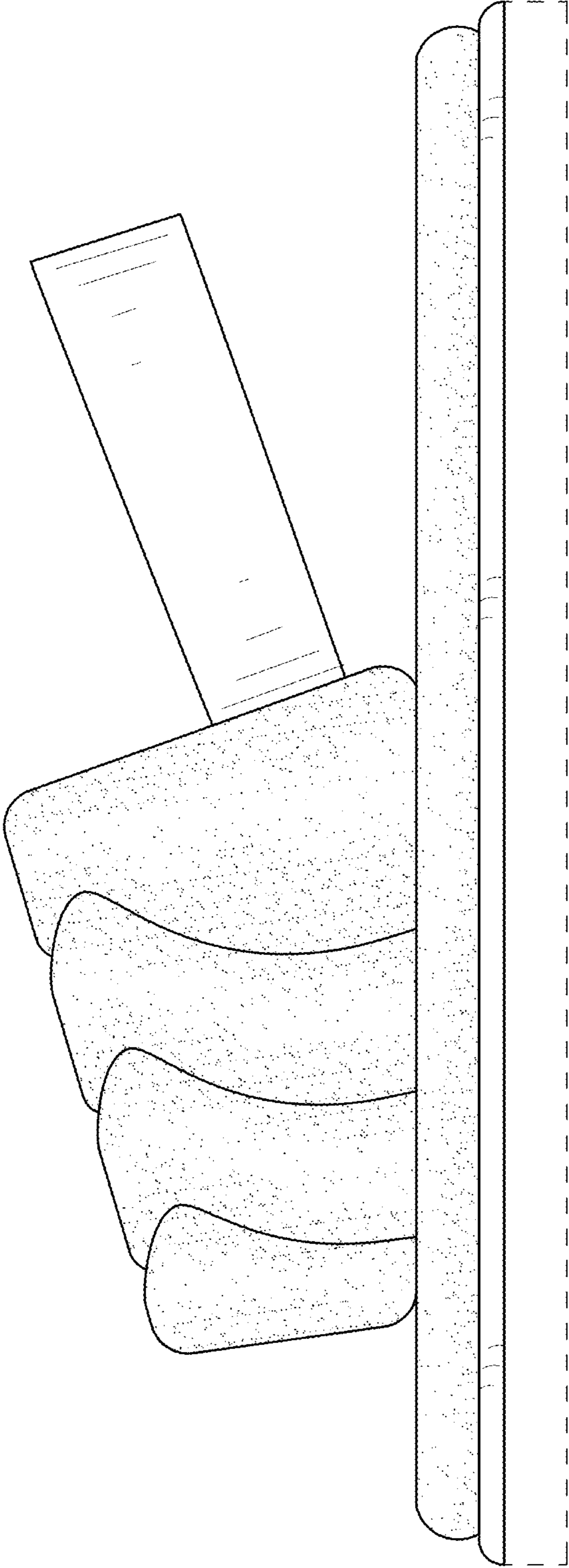


FIG. 5

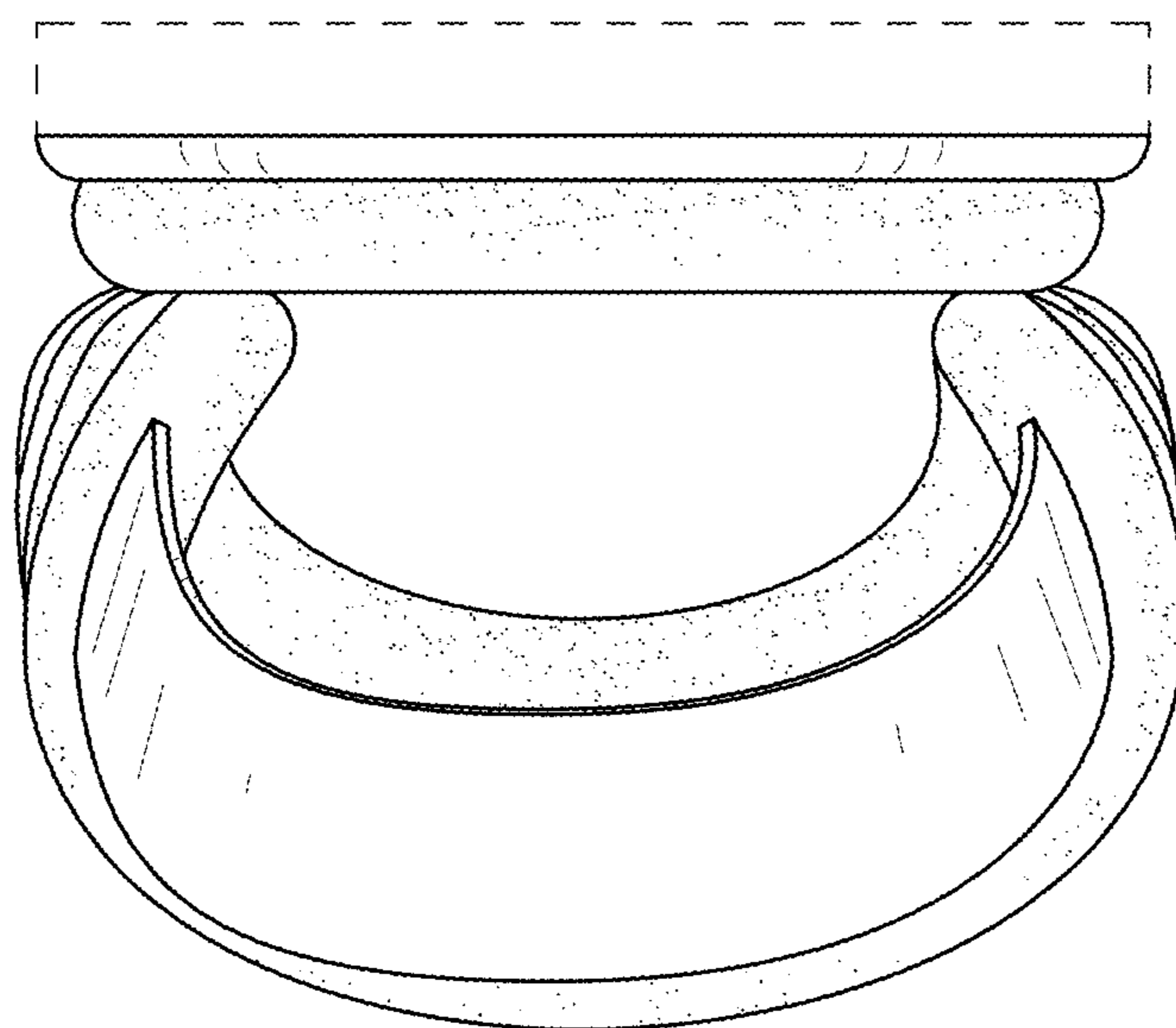


FIG. 6

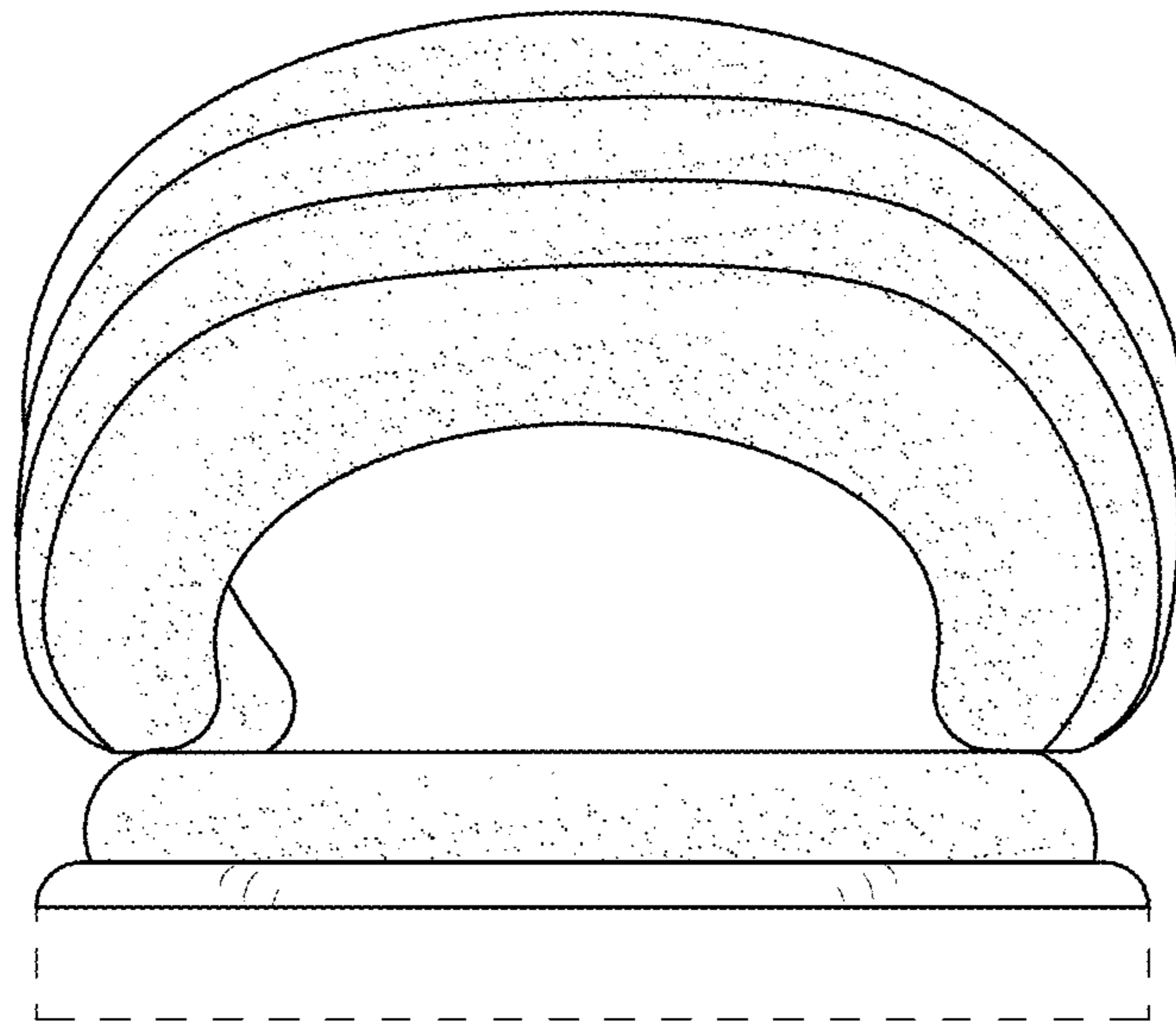


FIG. 7