

US00D916428S

(12) **United States Design Patent** (10) **Patent No.:** **US D916,428 S**  
**Dixon et al.** (45) **Date of Patent:** **\*\* Apr. 20, 2021**

(54) **BRA**

FOREIGN PATENT DOCUMENTS

(71) Applicant: **LULULEMON ATHLETICA CANADA INC.**, Vancouver (CA)

CN 106723560 \* 5/2017  
TW 201603728 \* 2/2016

(72) Inventors: **Laura Renee Dixon**, Vancouver (CA);  
**Rebecca Ward**, Vancouver (CA)

OTHER PUBLICATIONS

(73) Assignee: **LULULEMON ATHLETICA CANADA INC.**, Vancouver (CA)

Lululemon Reinvents the Sports Bra, by Elizabeth Segran posted to fastcompany.com. Available date: May 2, 2017 [site visited Dec. 23, 2020] Available: <<https://www.fastcompany.com/4036329/lululemon-reinvents-the-sports-bra>> (Year: 2017).\*

(\*\*) Term: **15 Years**

(Continued)

(21) Appl. No.: **29/693,807**

*Primary Examiner* — Kevin K Rudzinski

(22) Filed: **Jun. 5, 2019**

(74) *Attorney, Agent, or Firm* — Conneely PC; Joseph Conneely

**Related U.S. Application Data**

(63) Continuation of application No. 29/646,632, filed on May 6, 2018, now Pat. No. Des. 855,285, which is a continuation of application No. 29/603,107, filed on May 5, 2017, now Pat. No. Des. 817,595.

(57) **CLAIM**

The ornamental design for a bra, as shown and described.

(51) **LOC (13) Cl.** ..... **02-02**  
(52) **U.S. Cl.**  
USPC ..... **D2/706**

**DESCRIPTION**

(58) **Field of Classification Search**  
USPC ..... D2/706, 700, 708  
CPC ..... A41C 3/00  
See application file for complete search history.

FIG. 1 is a front view of a bra according to the design;  
FIG. 2 is a rear view thereof;  
FIG. 3 is a left side view thereof;  
FIG. 4 is a right side view thereof;  
FIG. 5 is a front perspective view thereof;  
FIG. 6 is a rear perspective view thereof;  
FIG. 7 is a rear view thereof shown in an environment of use;  
FIG. 8 is a rear view thereof with back straps thereof shown in a partially opened position; and  
FIG. 9 is a rear view thereof with the back straps thereof shown in a fully opened position.

(56) **References Cited**

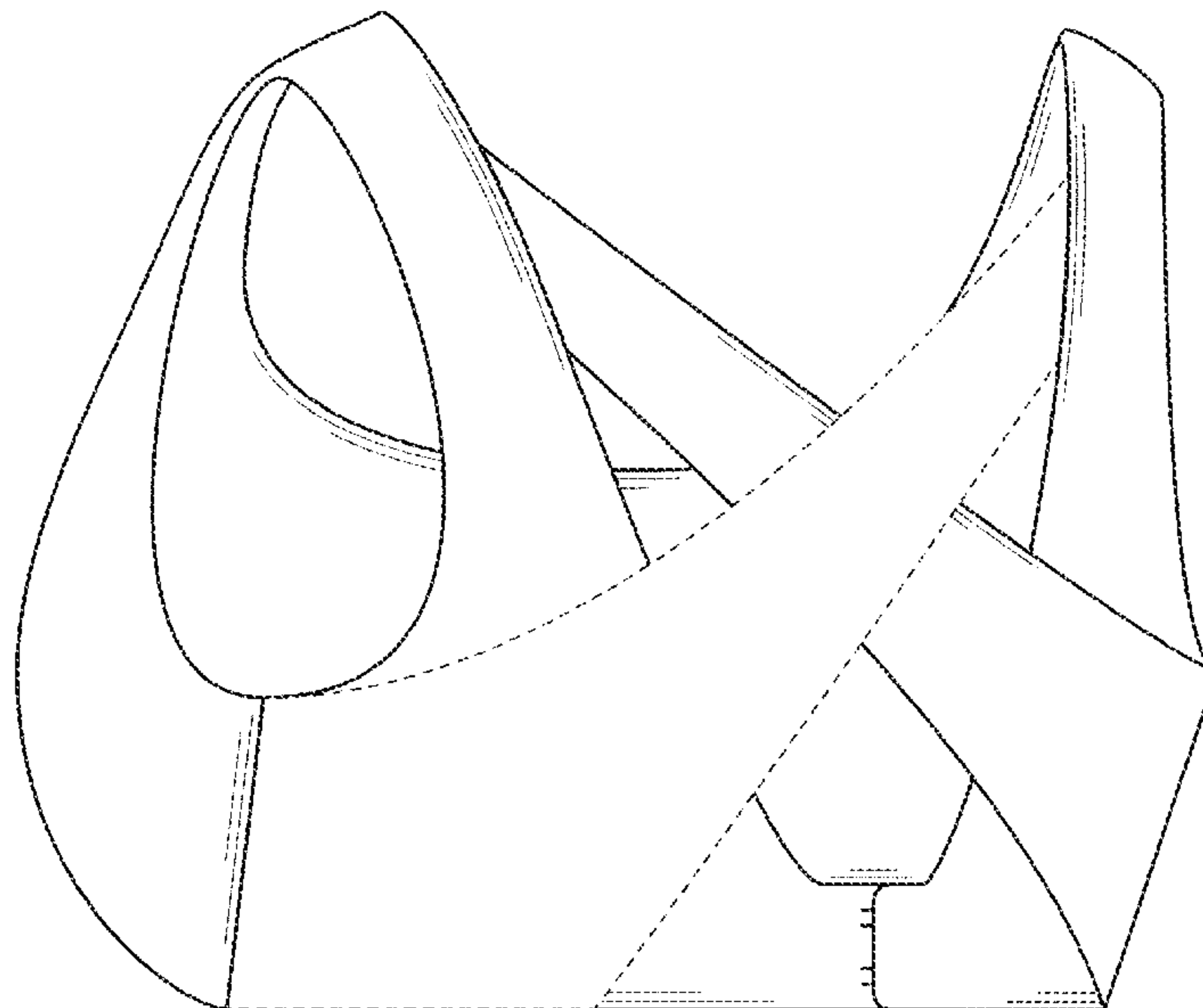
U.S. PATENT DOCUMENTS

3,071,140 A \* 1/1963 Adler ..... A41F 15/00  
450/86  
4,174,717 A \* 11/1979 Schreiber ..... A41C 3/0057  
450/70  
D259,370 S 6/1981 Schreiber et al.  
4,311,150 A \* 1/1982 Schreiber ..... A41C 3/0057  
450/70

The portions of the bra shown in broken lines in FIGS. 1-9 do not form part of the claimed design. The broken line showing of the arms, torso, neck, and head in FIG. 7 is for the purpose of illustrating portions of the environmental structure and forms no part of the claimed design.

(Continued)

**1 Claim, 9 Drawing Sheets**



(56)

References Cited

U.S. PATENT DOCUMENTS

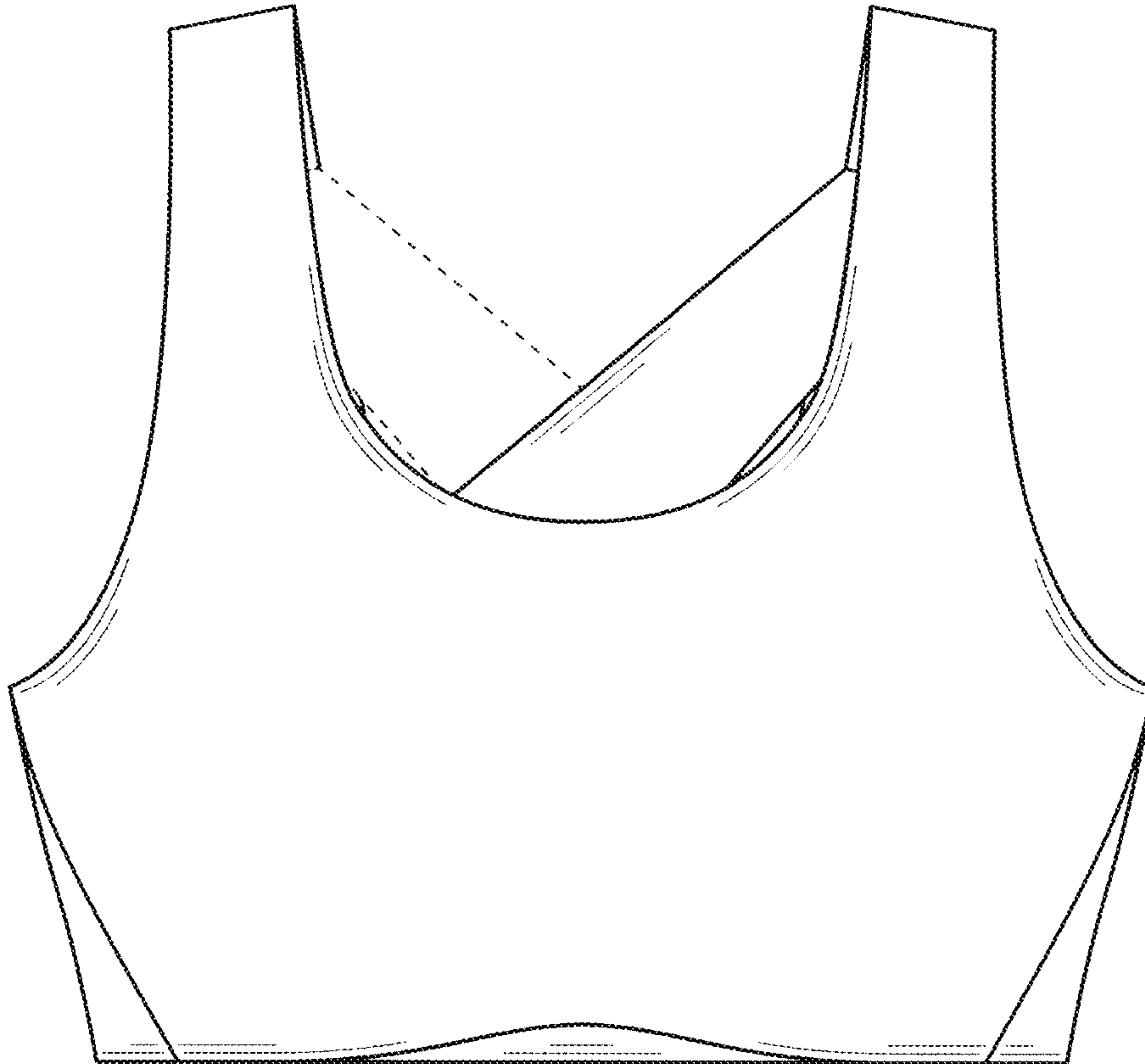
D351,711 S 10/1994 Mattson  
 D388,587 S 1/1998 Magidson et al.  
 5,823,851 A \* 10/1998 Dicker ..... A41C 3/0057  
 450/2  
 6,247,996 B1 6/2001 Fields  
 D475,835 S 6/2003 Hoffman et al.  
 D562,529 S 2/2008 Tonsor  
 D575,026 S 8/2008 Tonsor  
 D635,329 S 4/2011 Wahl et al.  
 8,047,893 B2 11/2011 Fenske  
 D671,297 S 11/2012 Iamartino  
 D678,659 S 3/2013 Lopez et al.  
 D683,525 S 6/2013 Iamartino  
 D708,821 S 7/2014 Iamartino  
 D709,668 S 7/2014 Martz  
 8,777,692 B2 \* 7/2014 Jimenez ..... A41C 3/0007  
 450/30  
 D747,843 S 1/2016 Gallo et al.  
 D759,942 S 6/2016 Martz  
 D764,746 S 8/2016 Randall  
 D764,747 S \* 8/2016 Castaneda Smids ..... D2/708  
 D765,947 S 9/2016 McManus  
 D765,948 S 9/2016 McManus  
 D773,149 S 12/2016 Kercher, III  
 D783,930 S 4/2017 Rothert  
 D785,903 S \* 5/2017 Chaleangsak ..... D2/706  
 D791,438 S 7/2017 Holmes  
 D798,535 S 10/2017 McManus  
 D805,730 S 12/2017 Loret  
 D817,595 S \* 5/2018 Dixon ..... D2/706  
 D821,700 S \* 7/2018 Flower ..... D2/706  
 D821,702 S \* 7/2018 Krasner ..... D2/708  
 D831,303 S 10/2018 Rendone  
 D834,282 S 11/2018 Flower  
 D835,884 S \* 12/2018 Alligood ..... D2/708  
 D836,292 S \* 12/2018 Flower ..... D2/708  
 D841,936 S \* 3/2019 Flower ..... D2/706  
 D842,582 S \* 3/2019 Rendone ..... D2/706  
 D843,081 S 3/2019 Rendone  
 D854,783 S \* 7/2019 Flower ..... D2/706  
 D855,285 S \* 8/2019 Dixon ..... D2/706  
 D857,335 S 8/2019 Holmes  
 D862,033 S 10/2019 Nordhoff  
 D869,820 S 12/2019 Robertson  
 D889,072 S 7/2020 Biscuiti et al.  
 D893,132 S \* 8/2020 Witek ..... D2/706  
 D893,133 S \* 8/2020 Witek ..... D2/706  
 D895,230 S \* 9/2020 Witek ..... D2/706  
 10,779,582 B2 \* 9/2020 Ward ..... A41C 3/0057

D903,233 S \* 12/2020 Yaremenko ..... D2/706  
 D904,728 S \* 12/2020 Gillespie ..... D2/706  
 D905,377 S \* 12/2020 Simi-Cook ..... D2/706  
 2005/0255789 A1 \* 11/2005 Gaudet ..... A41C 3/144  
 450/41  
 2006/0025039 A1 \* 2/2006 Barbour ..... A41D 1/18  
 450/1  
 2006/0089083 A1 \* 4/2006 Tonsor ..... A41C 3/02  
 450/60  
 2008/0194179 A1 \* 8/2008 Leung ..... A41C 3/08  
 450/31  
 2009/0098803 A1 \* 4/2009 Reinisch ..... A41C 3/0014  
 450/39  
 2009/0233522 A1 9/2009 Schlatmann  
 2011/0117818 A1 \* 5/2011 Barnard ..... A41C 3/0057  
 450/58  
 2013/0203319 A1 \* 8/2013 Torres ..... A41C 3/0028  
 450/59  
 2014/0220860 A1 \* 8/2014 Alva ..... A41C 3/04  
 450/36  
 2015/0223525 A1 \* 8/2015 Miller ..... A41C 3/0085  
 450/65  
 2016/0021940 A1 \* 1/2016 Carney ..... A41B 9/06  
 450/92  
 2016/0338419 A1 \* 11/2016 Fayad ..... A41C 3/0028  
 2017/0055614 A1 3/2017 Castaneda Smids  
 2017/0127731 A1 \* 5/2017 Flower ..... A41C 3/0035  
 2018/0132541 A1 \* 5/2018 Wittstadt ..... A41C 3/0035  
 2019/0082749 A1 3/2019 Ward et al.  
 2019/0098940 A1 4/2019 Huffa et al.  
 2019/0110524 A1 \* 4/2019 Kelley ..... A41F 15/00  
 2020/0237029 A1 \* 7/2020 Randall ..... A41C 3/02

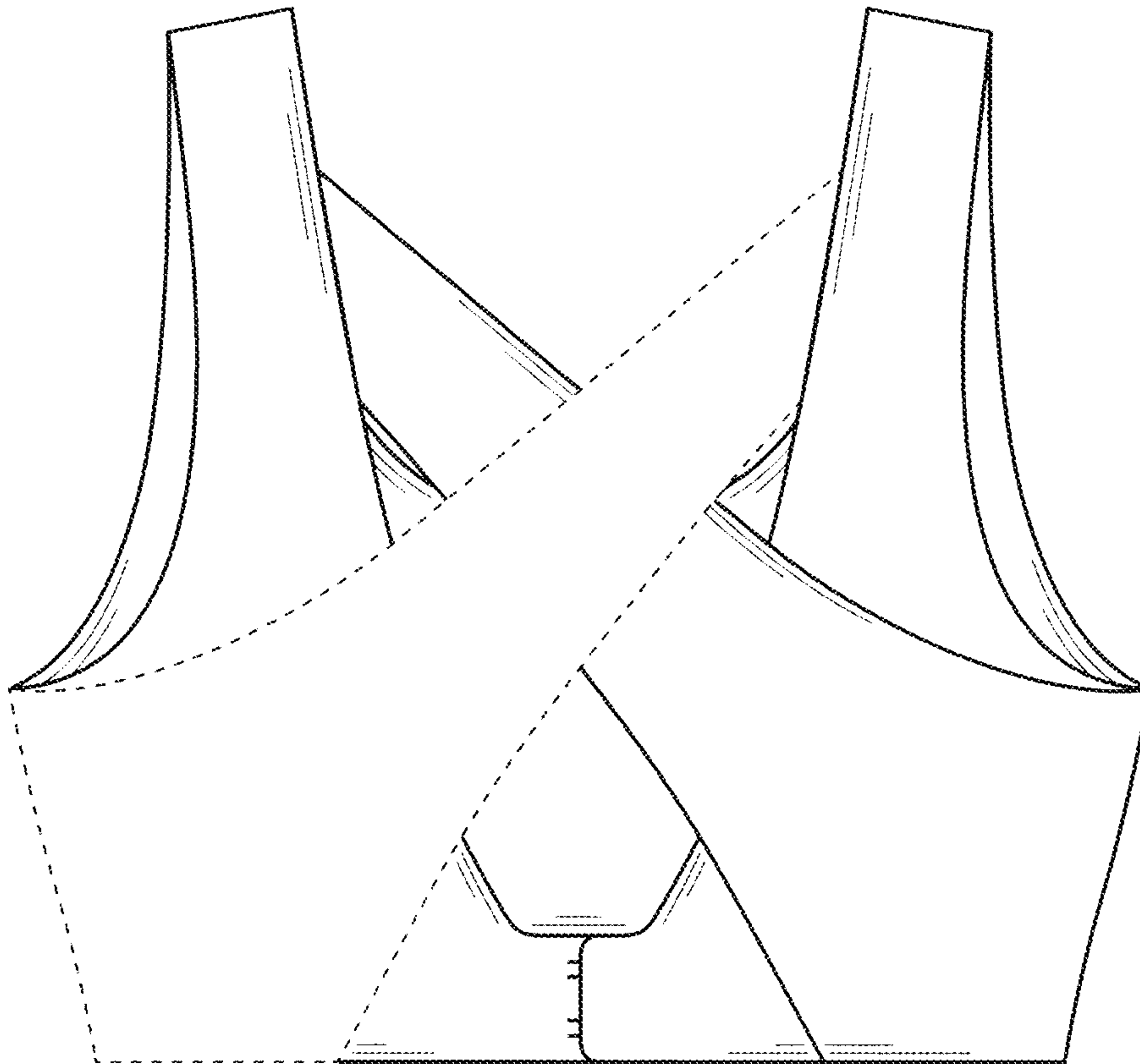
OTHER PUBLICATIONS

Victoria Secret Copied Lululemon's Enlite Bra, by Cristina posted to thesweatedit.com. Available date: Sep. 2017 [site visited Dec. 23, 2020] Available: <<https://thesweatedit.com/2017/09/victoria-secret-angel-max-sports-bra-dupes-lululemons-enlite-bra.html>> (Year: 2017).  
 Cross Back Bra by Alala, posted to alalastyle.com. Available date: Feb. 16, 2017 [site visited Dec. 23, 2020] Available: <<https://alalastyle.com/products/cross-back-bra-black?variant=22137536577>> (Year: 2017).  
 Yvette Women High Impact Sports Bras Criss Cross Back Sexy Running Bra, posted 2018 [online], (retrieved Jul. 24, 2020), Retrieved from the Internet, [https://www.amazon.com/dp/B07YG1X827/ref=sspa\\_dk\\_detail\\_ipsc=1&pd\\_rd\\_i=B07YG1X827&pd\\_rd\\_w=XbsfH&pf\\_rd\\_p=48d372c1-f7e1-4b8b-9d0%E2%80%A6](https://www.amazon.com/dp/B07YG1X827/ref=sspa_dk_detail_ipsc=1&pd_rd_i=B07YG1X827&pd_rd_w=XbsfH&pf_rd_p=48d372c1-f7e1-4b8b-9d0%E2%80%A6) (Year: 2018).

\* cited by examiner

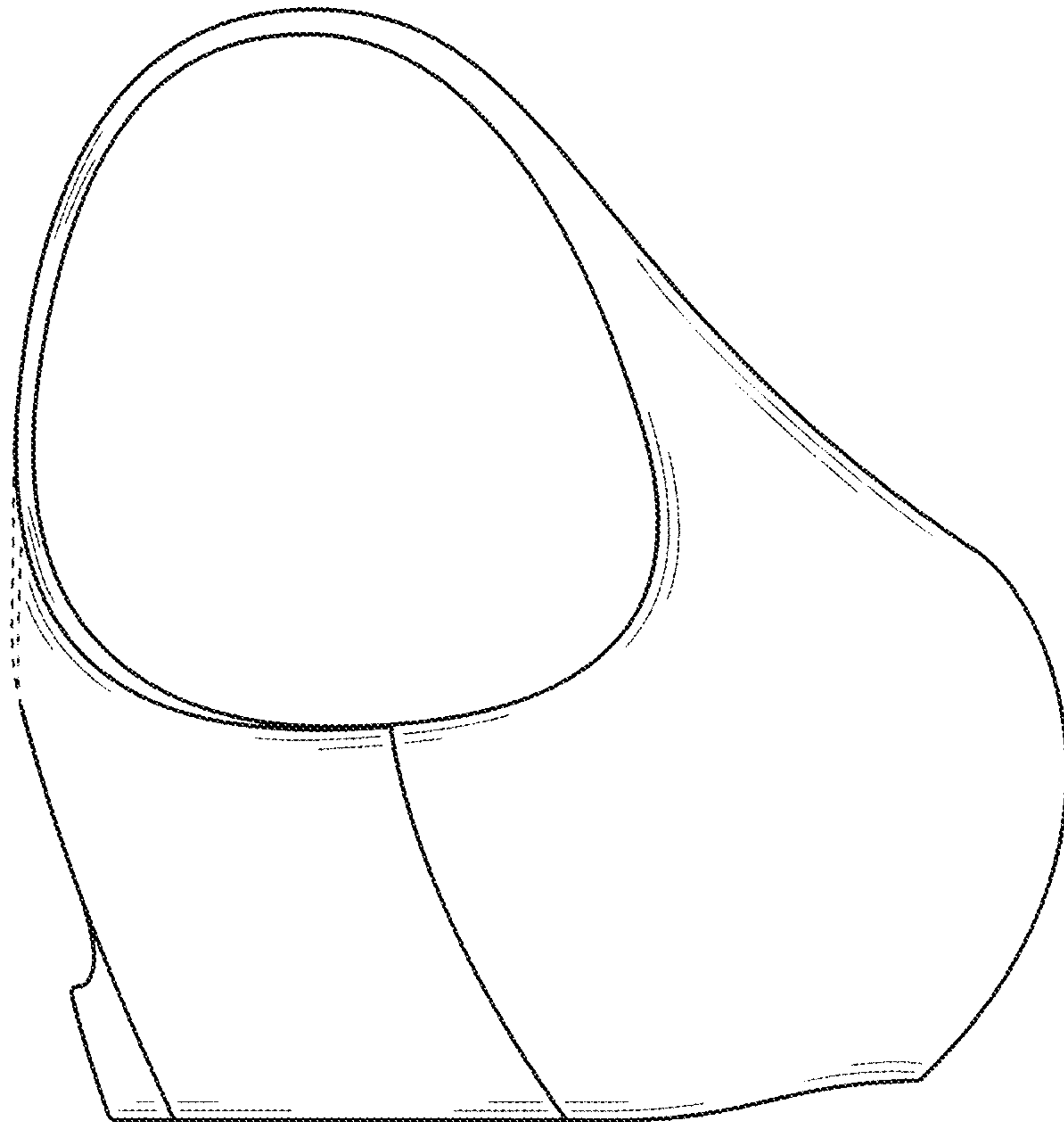


**FIG. 1**

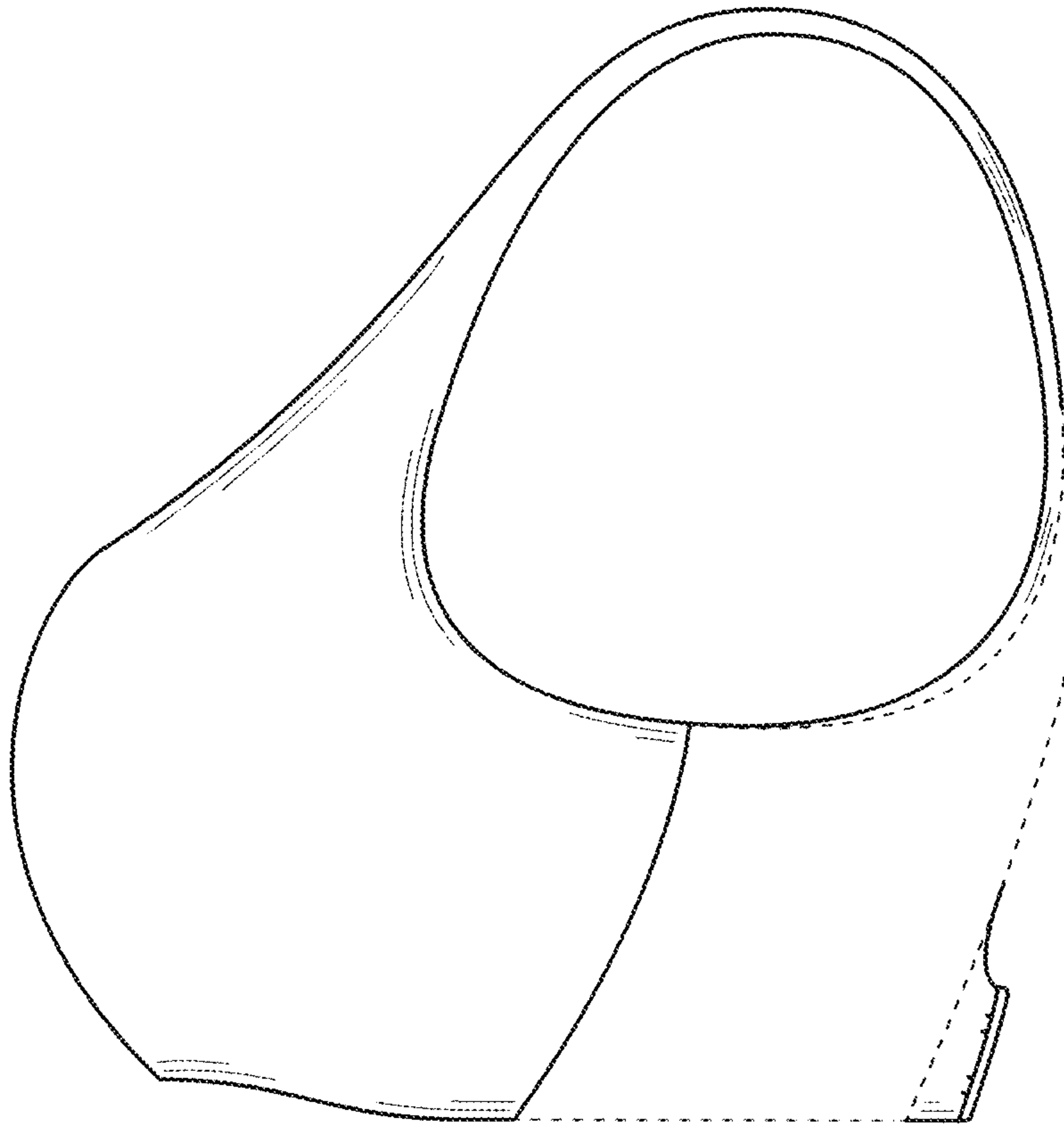


**FIG. 2**





**FIG. 3**



**FIG. 4**

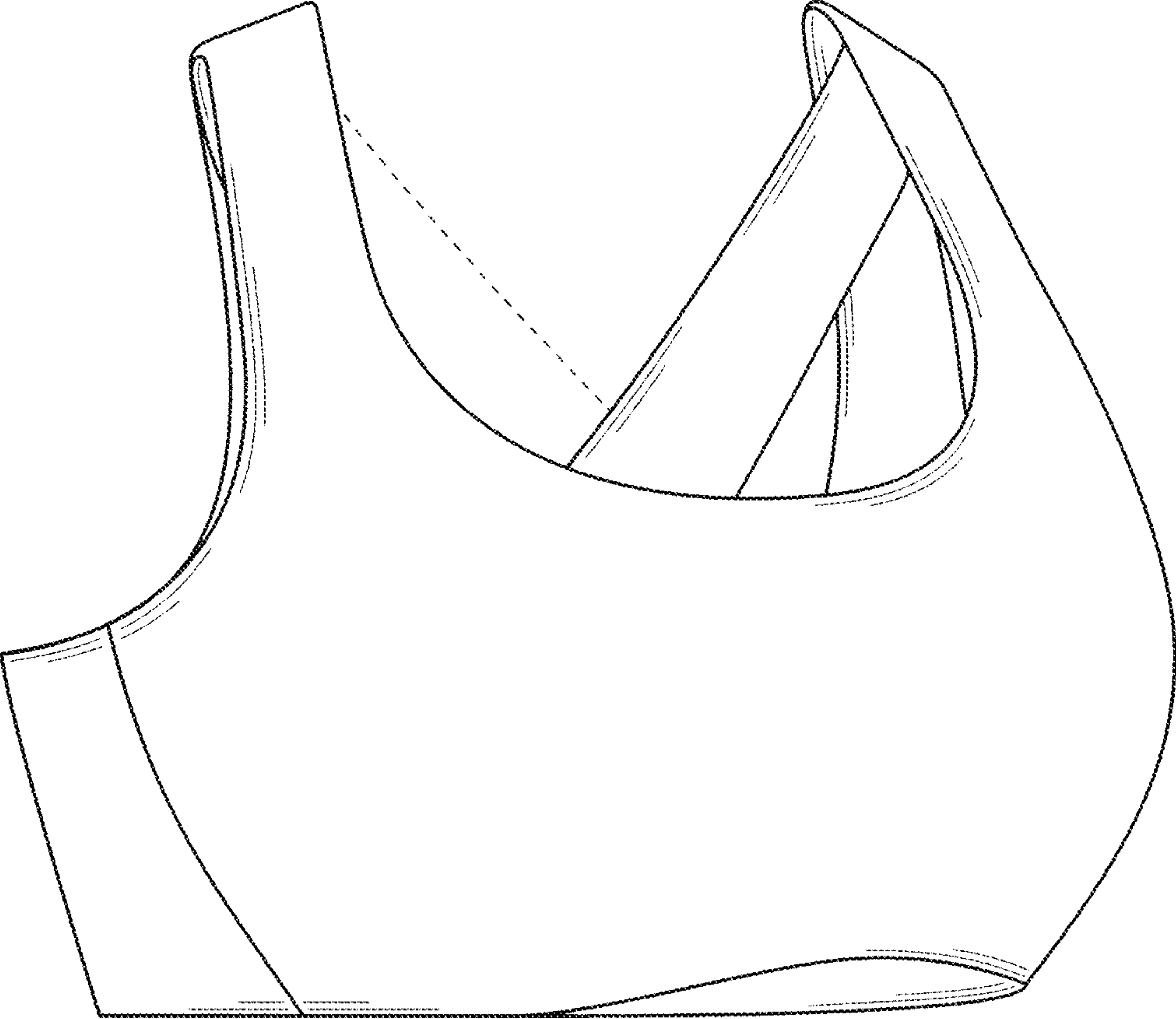


FIG. 5

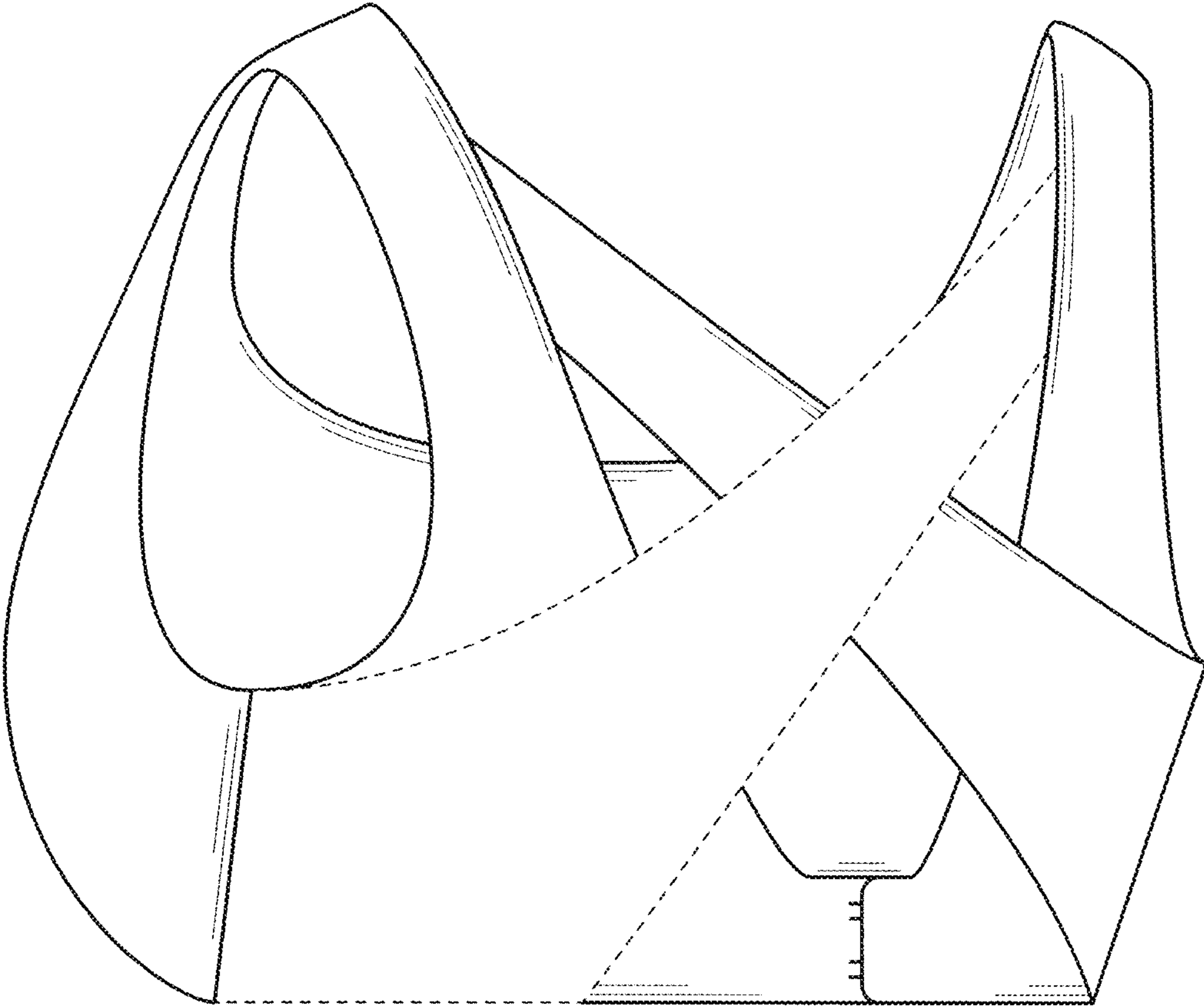
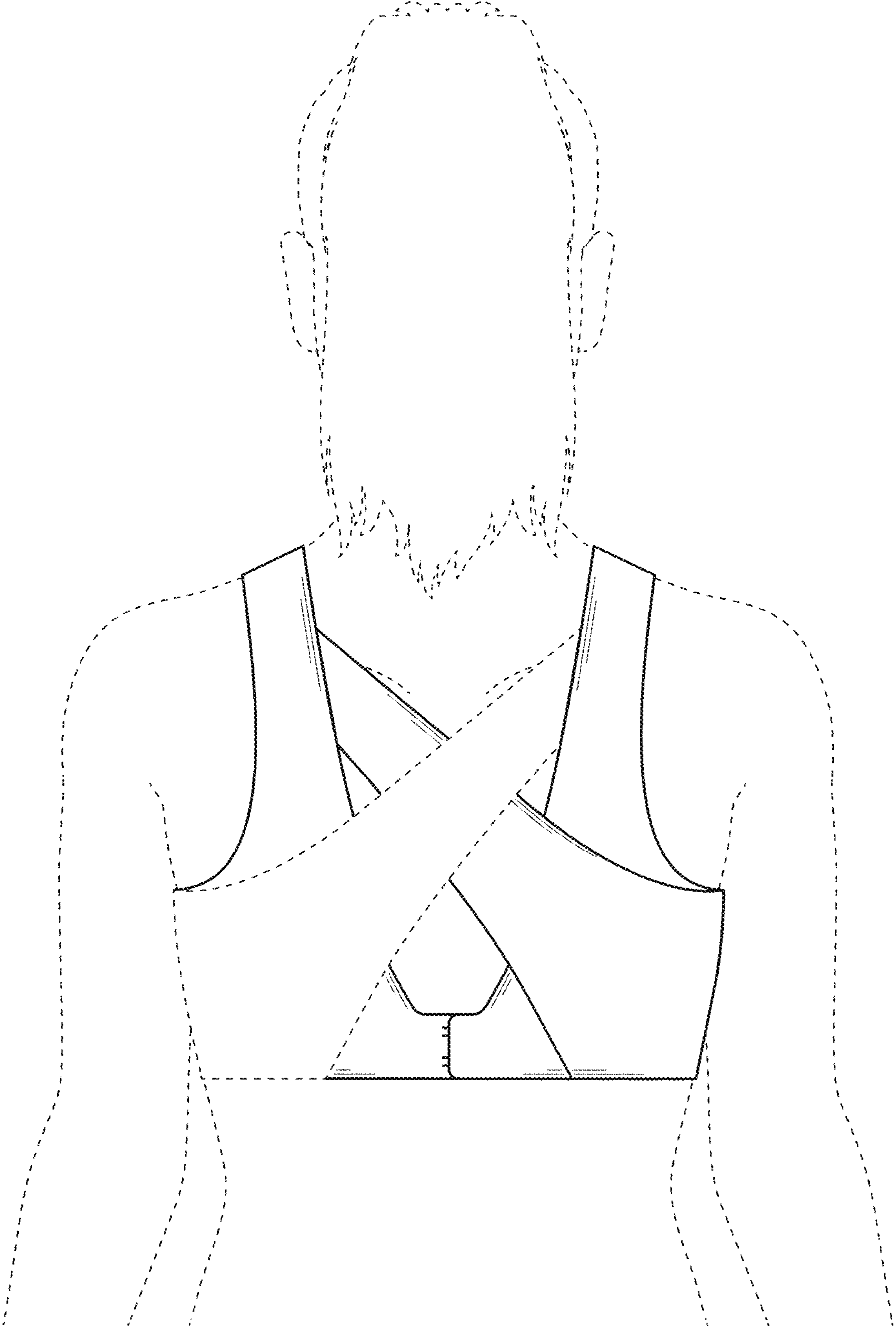


FIG. 6





**FIG. 7**

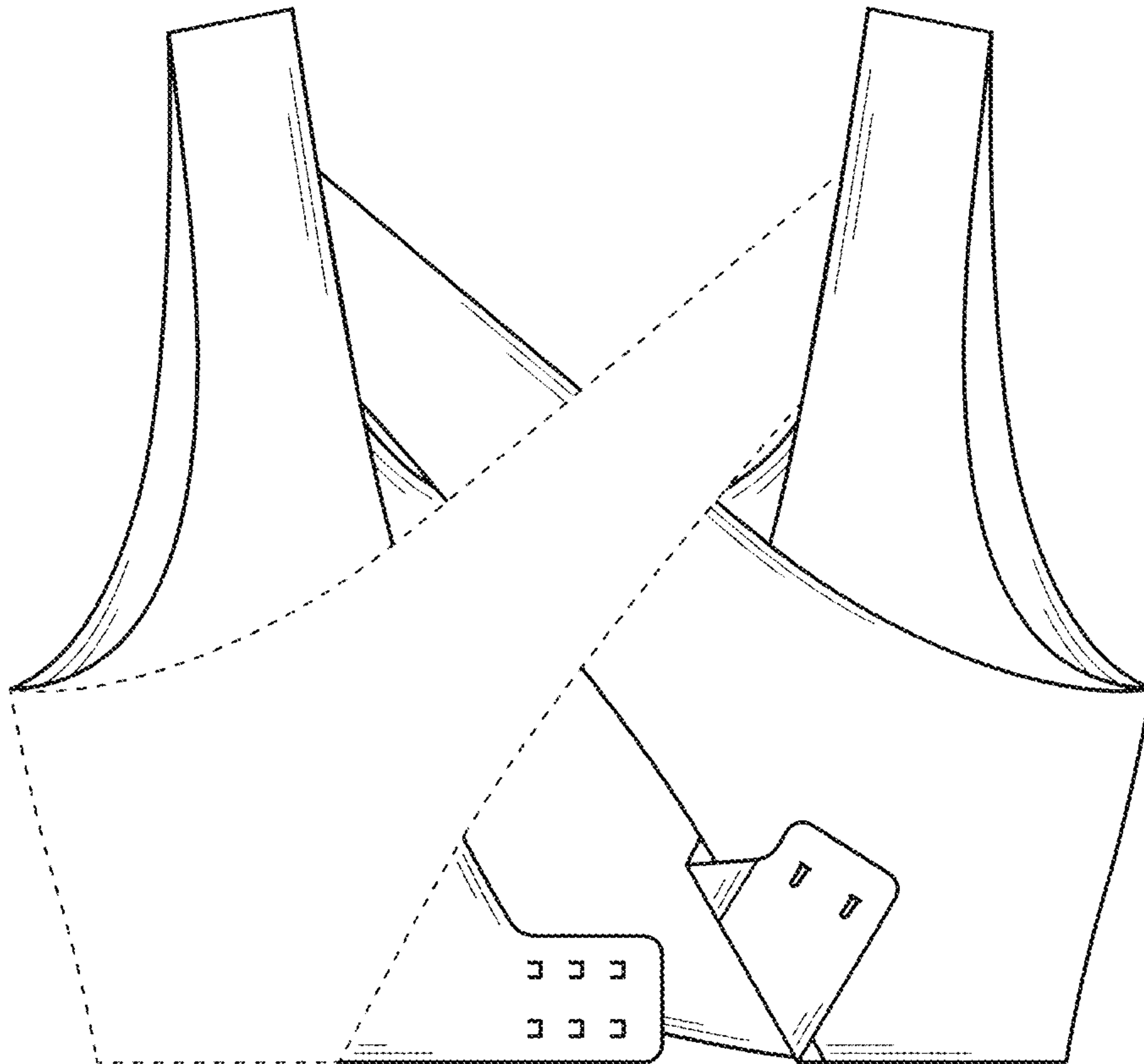
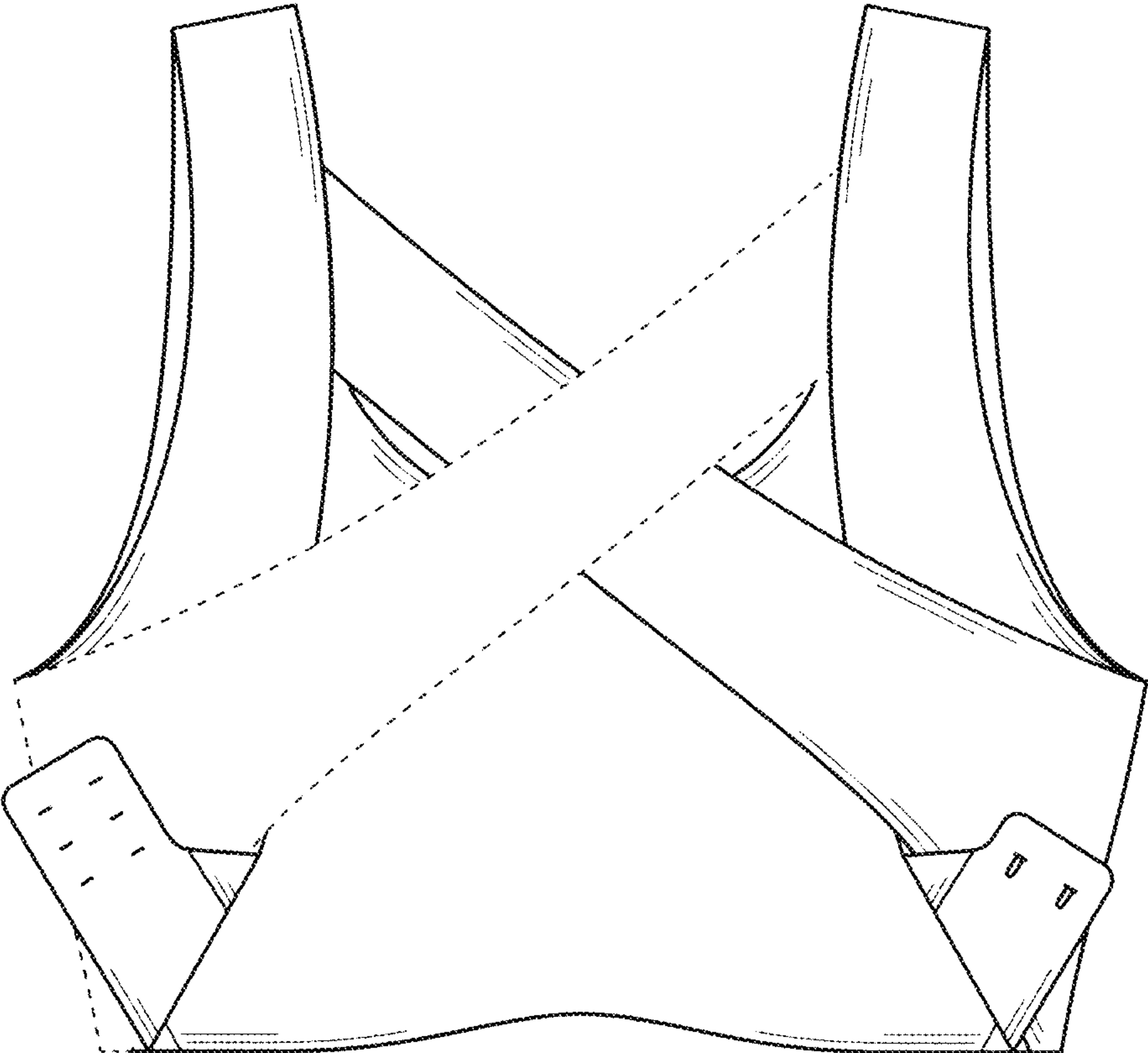


FIG. 8



**FIG. 9**