



US00D916426S

(12) **United States Design Patent** (10) **Patent No.:** **US D916,426 S**
Brooks et al. (45) **Date of Patent:** **** Apr. 20, 2021**

(54) **STOCKING-SHAPED FOODSTUFF**

(71) Applicant: **Kellogg Company**, Battle Creek, MI (US)

(72) Inventors: **Peter Brooks**, Battle Creek, MI (US); **Richard Roach**, Bloomington, MN (US); **Christian Brown**, Battle Creek, MI (US); **Brittany Tomlin Suehr**, Battle Creek, MI (US); **Linnea Marie Riddell**, Commerce Township, MI (US)

(73) Assignee: **KELLOGG COMPANY**, Battle Creek, MI (US)

(**) Term: **15 Years**

(21) Appl. No.: **29/708,913**

(22) Filed: **Oct. 10, 2019**

(51) **LOC (13) Cl.** **01-01**

(52) **U.S. Cl.**
USPC **D1/106; D1/128**

(58) **Field of Classification Search**
USPC D1/100–130, 199; 426/5, 76, 87, 92, 94, 426/95, 99, 101, 103, 108, 138–139, 143, 426/144, 279, 282, 283, 391, 514, 549, 426/660; D24/102; D30/160; D6/598; D11/121, 125, 126, 128; D28/8.1, 8.2
CPC . A23G 3/54; A23G 4/20; A23G 3/343; A23G 3/36; A23G 3/28; A61K 9/2072; A61K 9/2095

See application file for complete search history.

(56) **References Cited**

U.S. PATENT DOCUMENTS

D194,002 S * 11/1962 Pincus D11/126
D306,954 S * 4/1990 Wasserman D7/539
(Continued)

OTHER PUBLICATIONS

Susie. "Peppermint Candy Cane and Stocking Sandwich Cookies— with Video." Impress. Nov. 30, 2017. Web. Oct. 10, 2020. <https://

www.impressbakeware.com/blogs/creative-cookie-press-blog/peppermint-candy-cane-stockings-sandwich-cookies-with-video>.*

Primary Examiner — Katie Jane Stofko

(74) *Attorney, Agent, or Firm* — Honigman LLP; Kathryn D. Doyle, Esq.; Jonathan P. O'Brien

(57) **CLAIM**

The ornamental design for a stocking-shaped foodstuff, as shown and described.

DESCRIPTION

FIG. 1 is a right, front perspective view of a first embodiment of a stocking-shaped foodstuff, showing my new design;

FIG. 2 is a front view thereof;

FIG. 3 is a rear view thereof;

FIG. 4 is a right side view thereof;

FIG. 5 is a left side view thereof;

FIG. 6 is a top plan view thereof

FIG. 7 is a bottom plan view thereof;

FIG. 8 is a cross-sectional view taken along line 8-8 in FIG. 2;

FIG. 9 is a cross-sectional view taken along line 9-9 in FIG. 2;

FIG. 10 is a right, front perspective view of a second embodiment of a stocking-shaped foodstuff, showing my new design;

FIG. 11 is a front view thereof;

FIG. 12 is a rear view thereof;

FIG. 13 is a right side view thereof;

FIG. 14 is a left side view thereof;

FIG. 15 is a top plan view thereof;

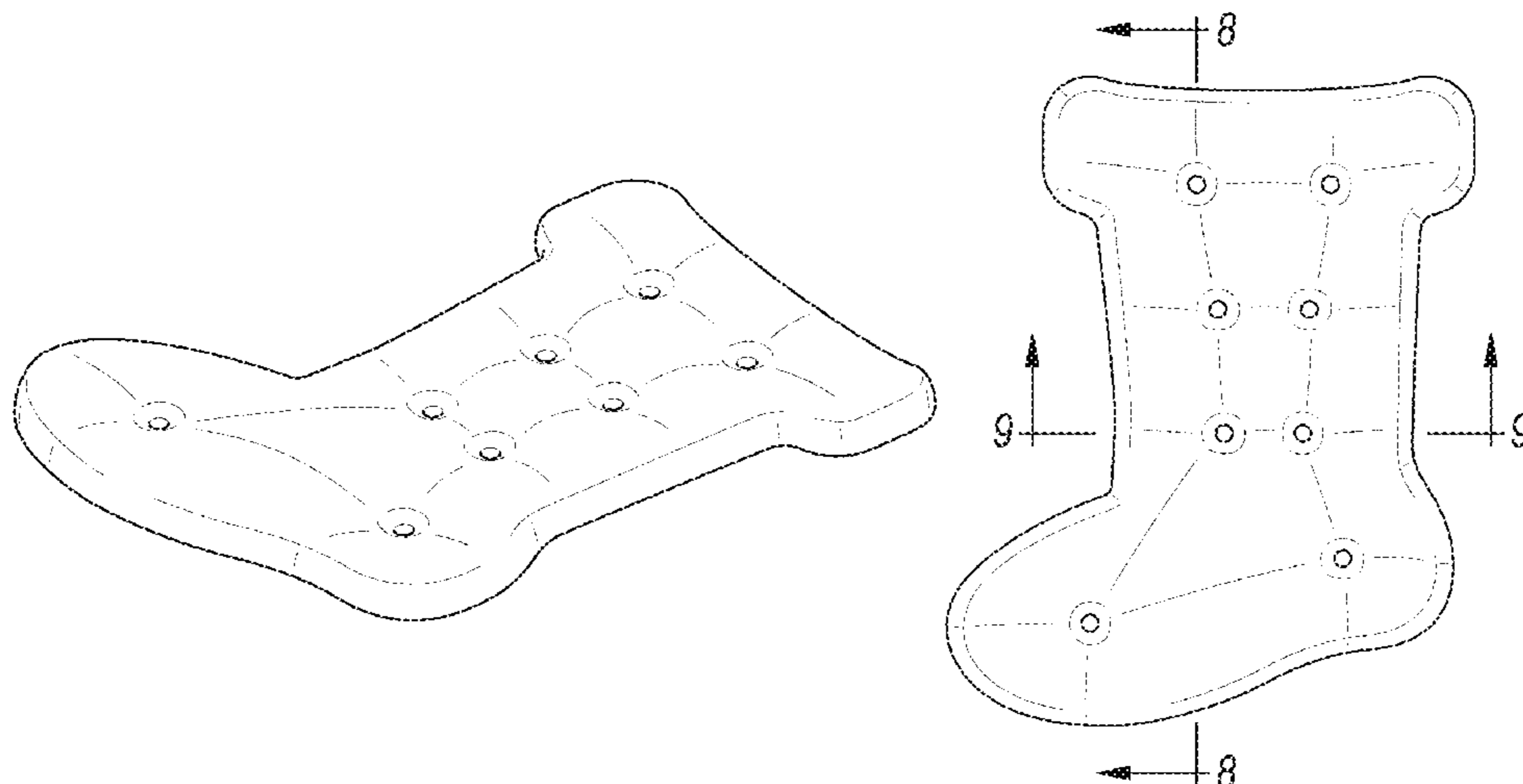
FIG. 16 is a bottom plan view thereof;

FIG. 17 is a cross-sectional view taken along line 17-17 in FIG. 11; and,

FIG. 18 is a cross-sectional view taken along line 18-18 in FIG. 11.

The dashed lines in the drawing views depict portions of the design that form no part of the claim.

1 Claim, 8 Drawing Sheets



(56)

References Cited

U.S. PATENT DOCUMENTS

D352,373	S	*	11/1994	Gonzalez	D1/106
D411,135	S	*	6/1999	Jackson	D11/117
D432,451	S	*	10/2000	Turgeon	D11/126
D432,941	S	*	10/2000	Turgeon	D11/126
D475,607	S	*	6/2003	Kelleghan	D8/356
D498,429	S	*	11/2004	Sotomura	D11/126
D573,059	S	*	7/2008	Laspada	D11/121
D616,931	S	*	6/2010	Staller	D19/4
D636,544	S	*	4/2011	Spurgeon	D30/161
D727,672	S	*	4/2015	Price	D7/301
D886,662	S	*	6/2020	Requate	D11/126

* cited by examiner

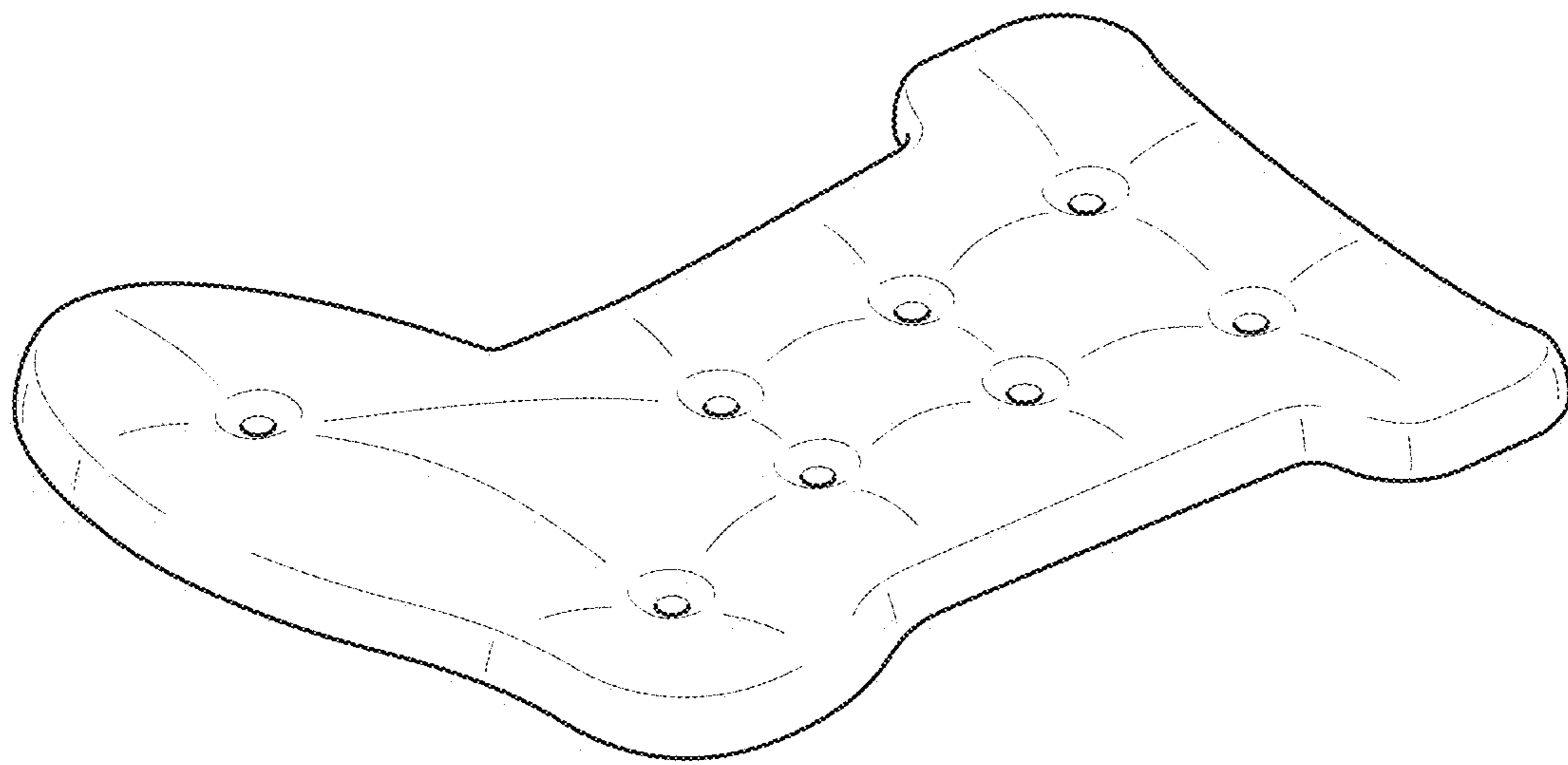


FIG. 1

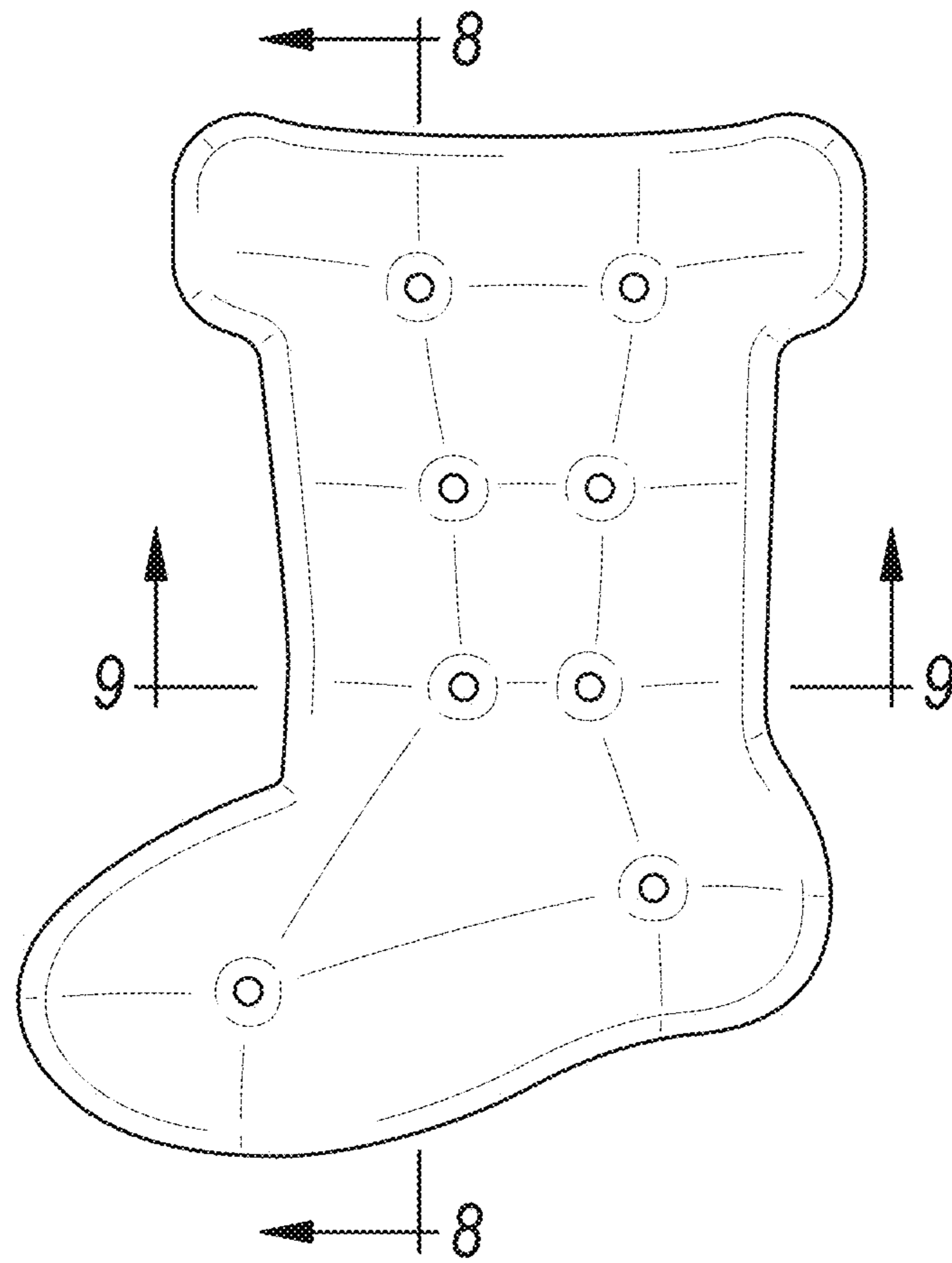


FIG. 2

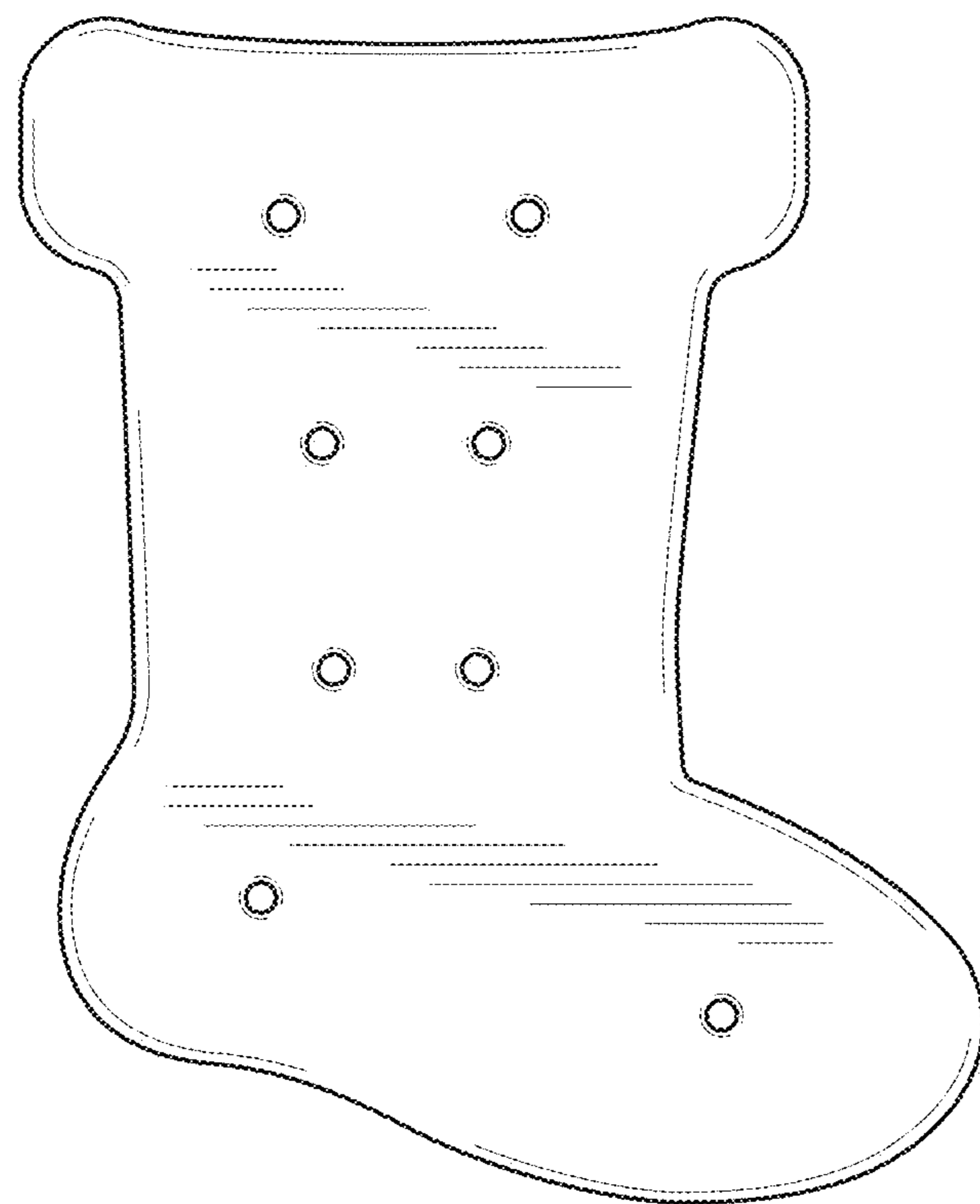


FIG. 3



FIG. 4

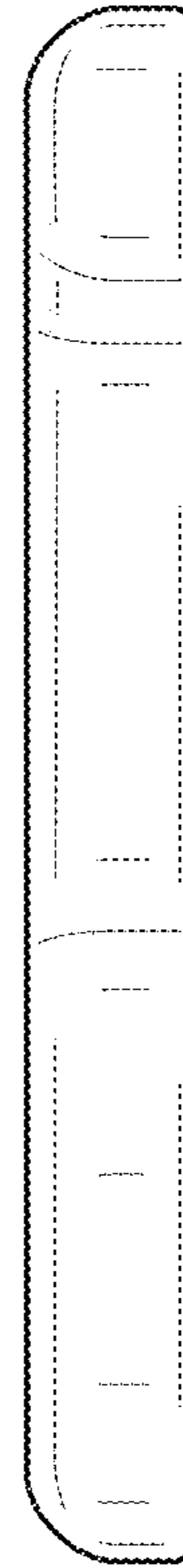


FIG. 5



FIG. 6

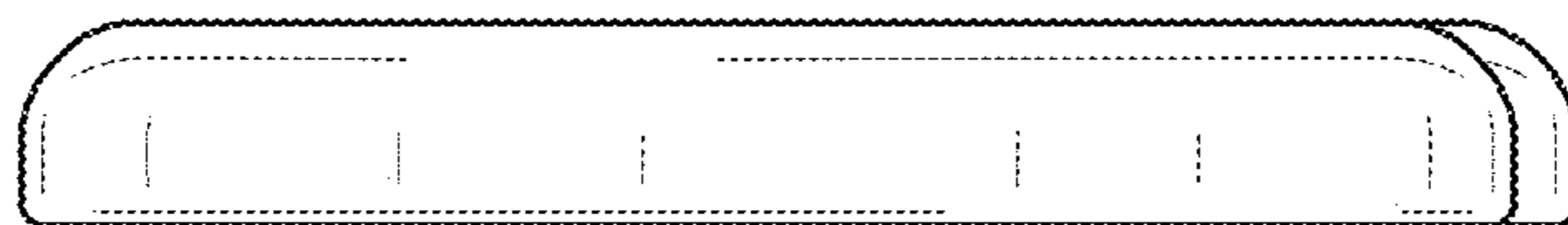


FIG. 7

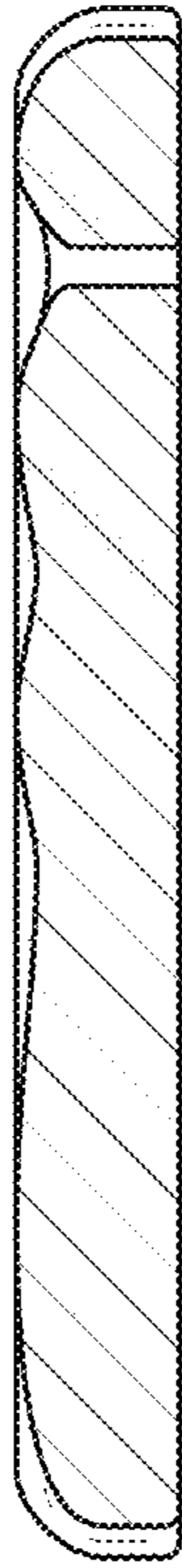


FIG. 8



FIG. 9

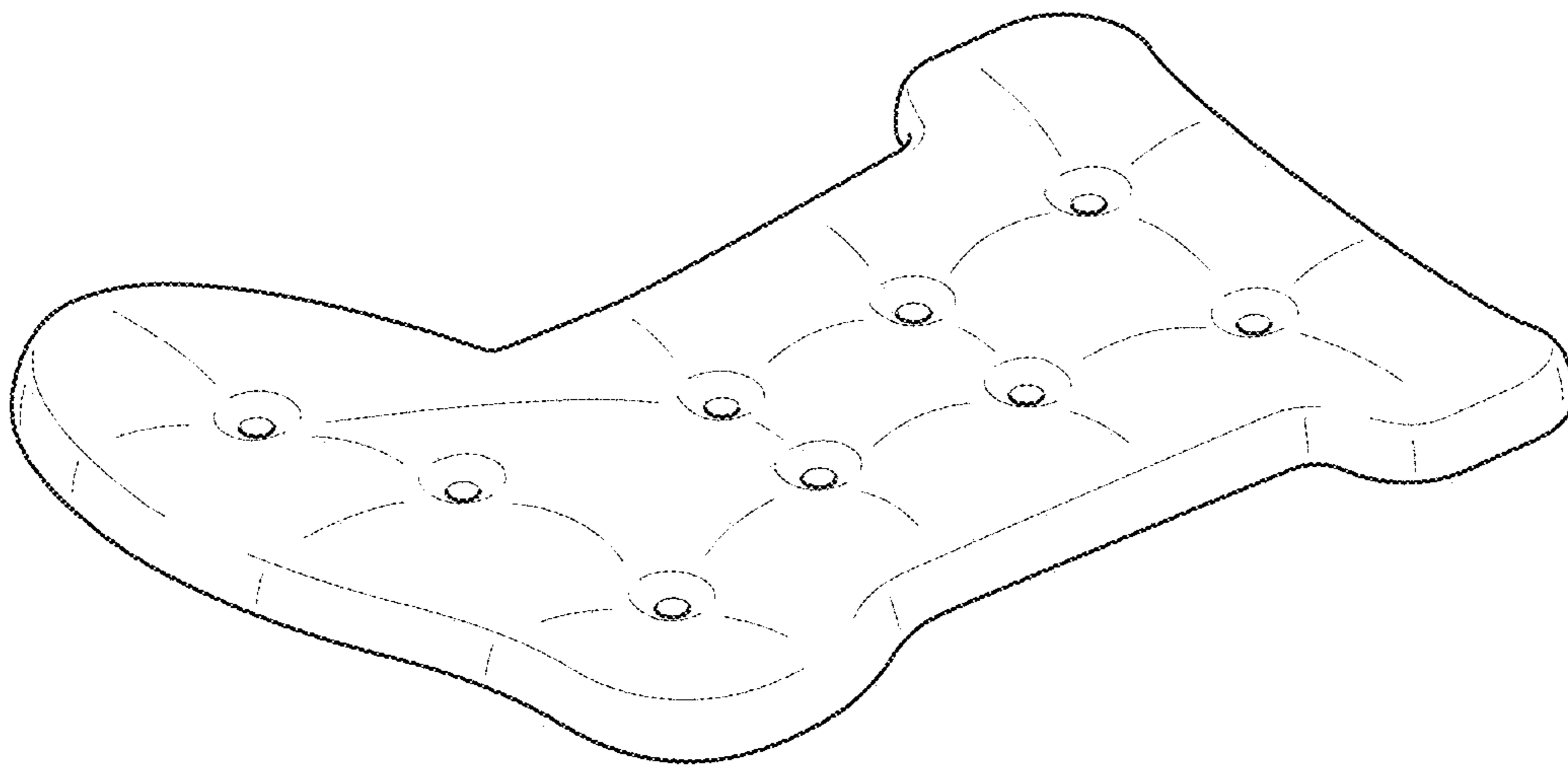


FIG. 10

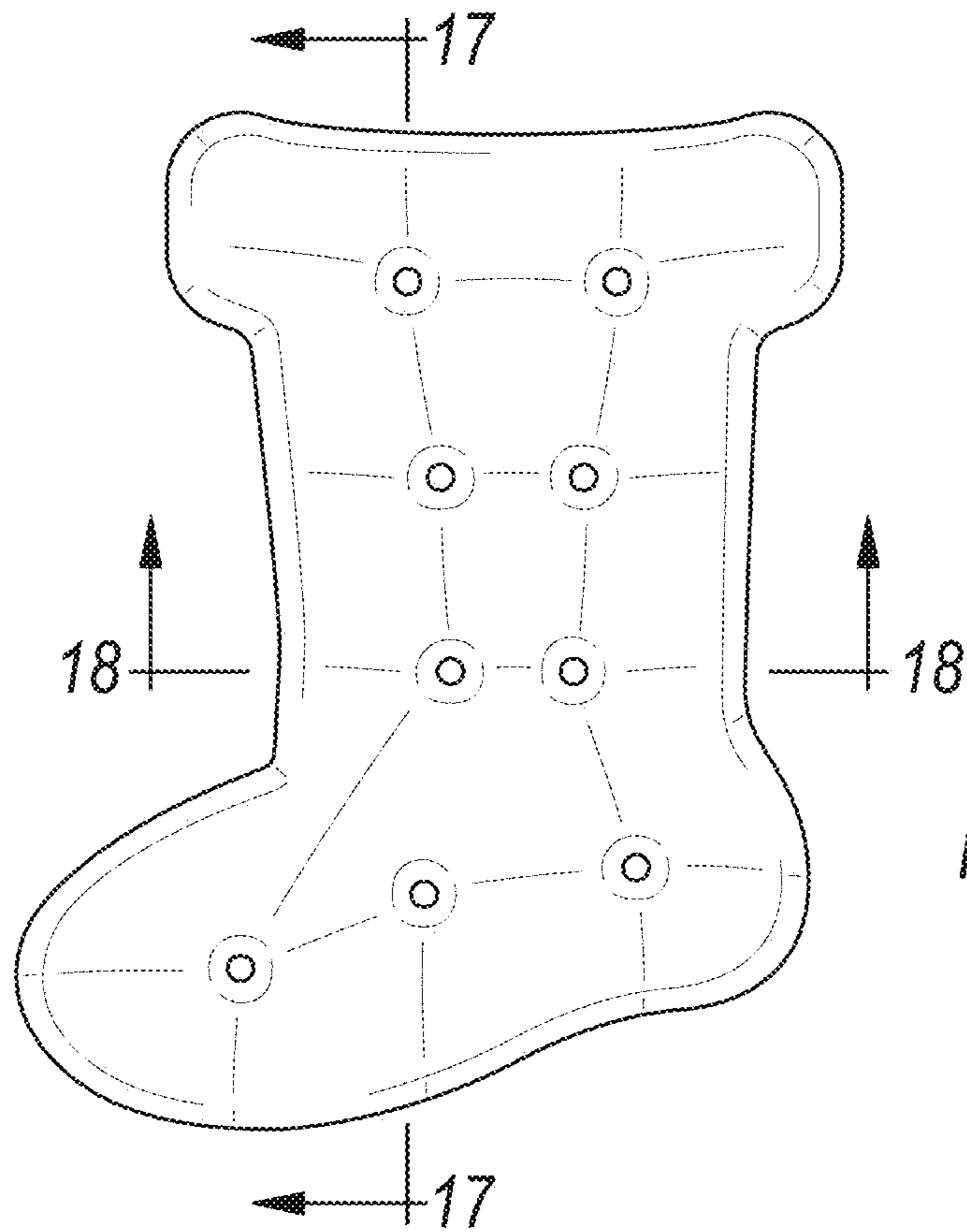


FIG. 11

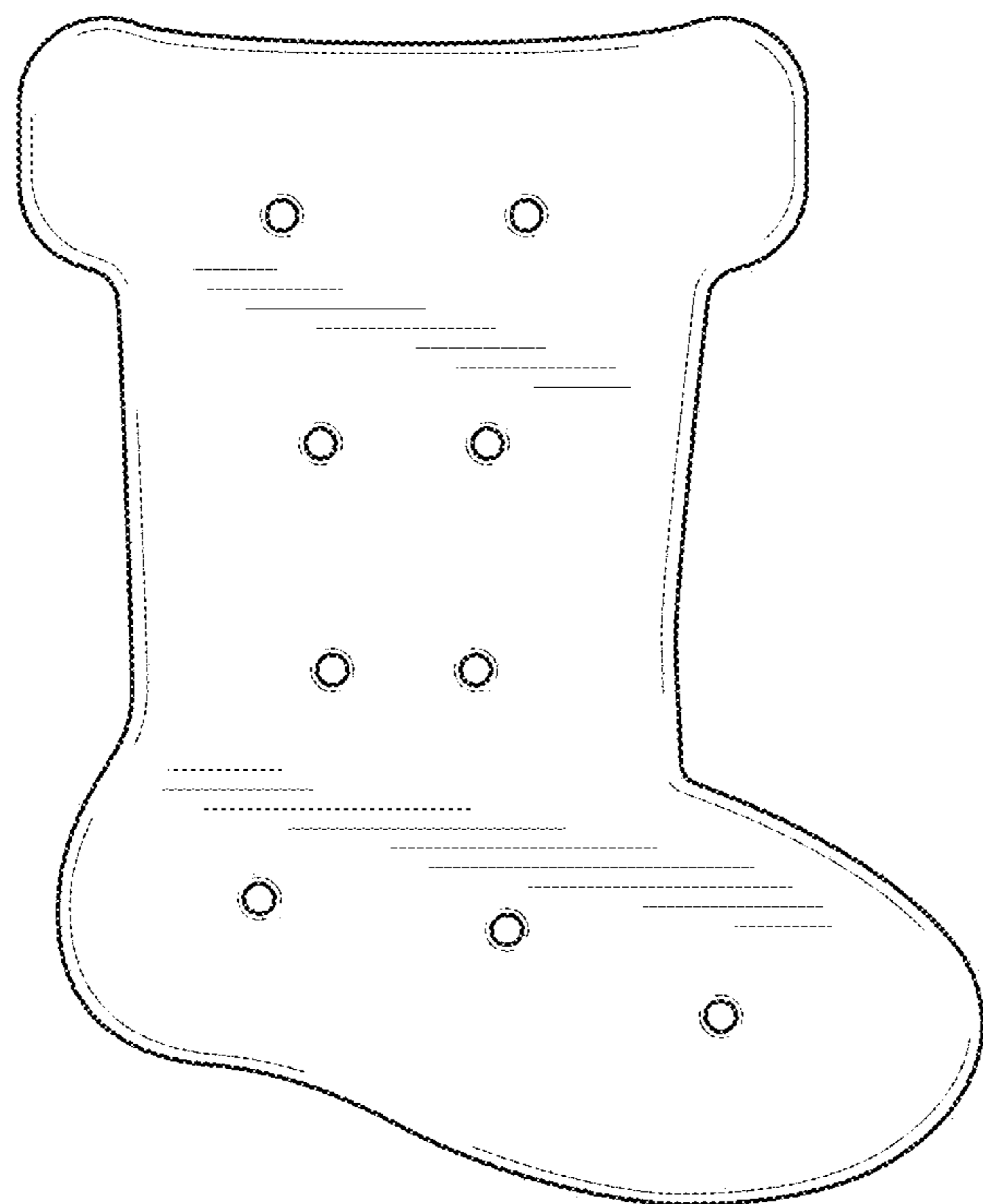


FIG. 12

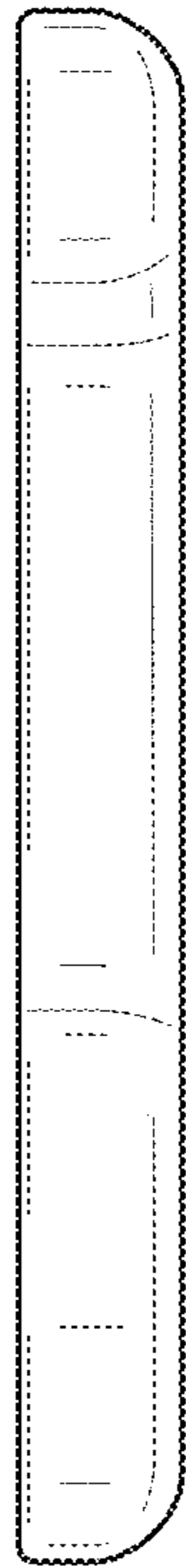


FIG. 13

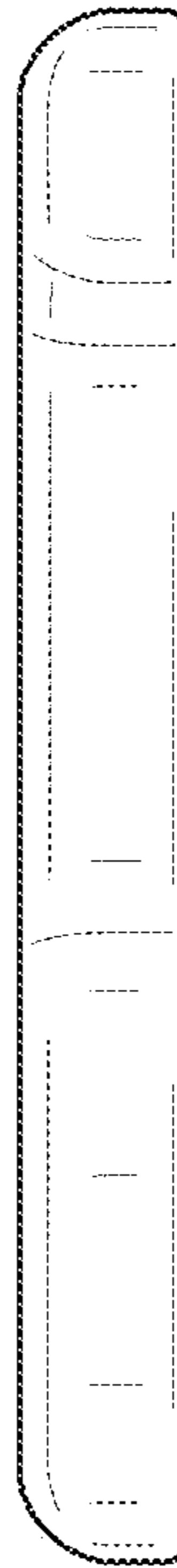


FIG. 14



FIG. 15

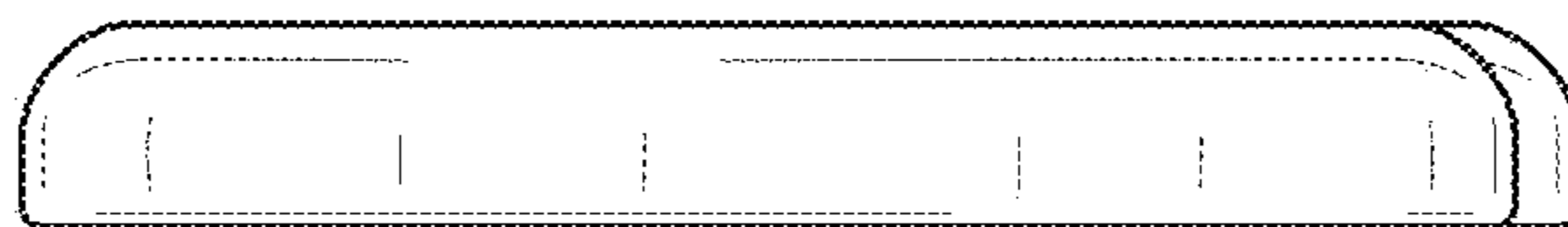


FIG. 16

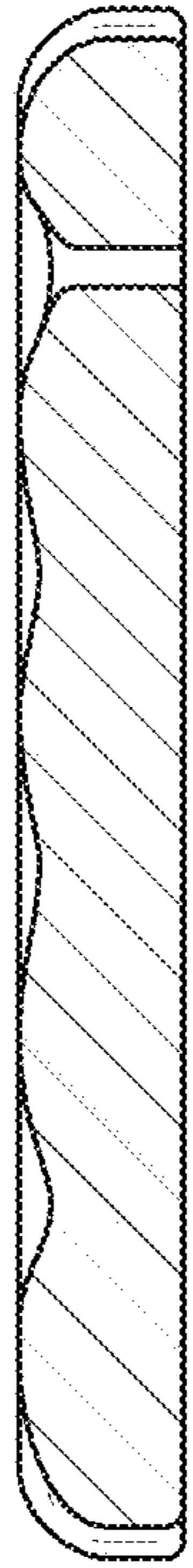


FIG. 17



FIG. 18