



US00D916424S

(12) **United States Design Patent**
Hoag

(10) **Patent No.:** **US D916,424 S**
(45) **Date of Patent:** **** Apr. 13, 2021**

- (54) **CROSS-SHAPED CREMATION URN**
- (71) Applicant: **Living Fully, Inc.**, Dallas, TX (US)
- (72) Inventor: **Elizabeth Ann Hoag**, Dallas, TX (US)
- (73) Assignee: **LIVING FULLY, INC.**, Dallas, TX (US)
- (**) Term: **15 Years**
- (21) Appl. No.: **29/696,943**
- (22) Filed: **Jul. 2, 2019**
- (51) **LOC (13) Cl.** **99-01**
- (52) **U.S. Cl.**
USPC **D99/5; D99/3; D99/27**
- (58) **Field of Classification Search**
USPC D99/3, 5, 27, 25; D9/652; D6/674, 665, D6/559; D11/96, 157, 149, 81; 40/721, 40/489, 732; 52/104; 428/3; 27/1, 2
CPC A61G 17/00; A61G 17/08
See application file for complete search history.

(56) **References Cited**

U.S. PATENT DOCUMENTS

- 600,313 A * 3/1898 Hayes 428/27
- 1,286,911 A * 12/1918 Bakula A44C 1/00
63/1.14
- 1,526,381 A * 2/1925 Slawson E04H 13/003
40/124.5
- 1,612,357 A * 12/1926 Brown E04H 13/003
40/124.5
- D77,084 S * 12/1928 Fox D99/23
- 2,030,356 A * 2/1936 Dibb A45C 1/12
206/0.815
- 2,036,616 A * 4/1936 Asch H01J 61/32
313/312
- 2,246,122 A * 6/1941 Brennan B44C 1/26
428/3

- 2,358,558 A * 9/1944 Brennan A47G 33/02
206/19
- 2,366,377 A * 1/1945 Zois A01G 5/04
47/41.12
- 2,493,991 A * 1/1950 Morrison G02B 6/0091
362/566
- 2,618,901 A * 11/1952 Conrad A01G 5/04
47/41.12
- 2,637,438 A * 5/1953 Menz A44C 23/00
206/19
- D172,380 S * 6/1954 Brasher D99/25
- 2,712,191 A * 7/1955 Hillenbrand A61G 17/045
428/3
- D242,406 S * 11/1976 Romanoff D6/559
- 4,058,929 A * 11/1977 O'Connell A01G 5/04
47/41.12
- D256,398 S * 8/1980 Mitchell D99/25
- D272,374 S * 1/1984 Keegan D21/388
- 4,455,772 A * 6/1984 Miller G09F 15/00
40/124.5

(Continued)

Primary Examiner — Paula Allen Greene
(74) *Attorney, Agent, or Firm* — Foley & Lardner LLP

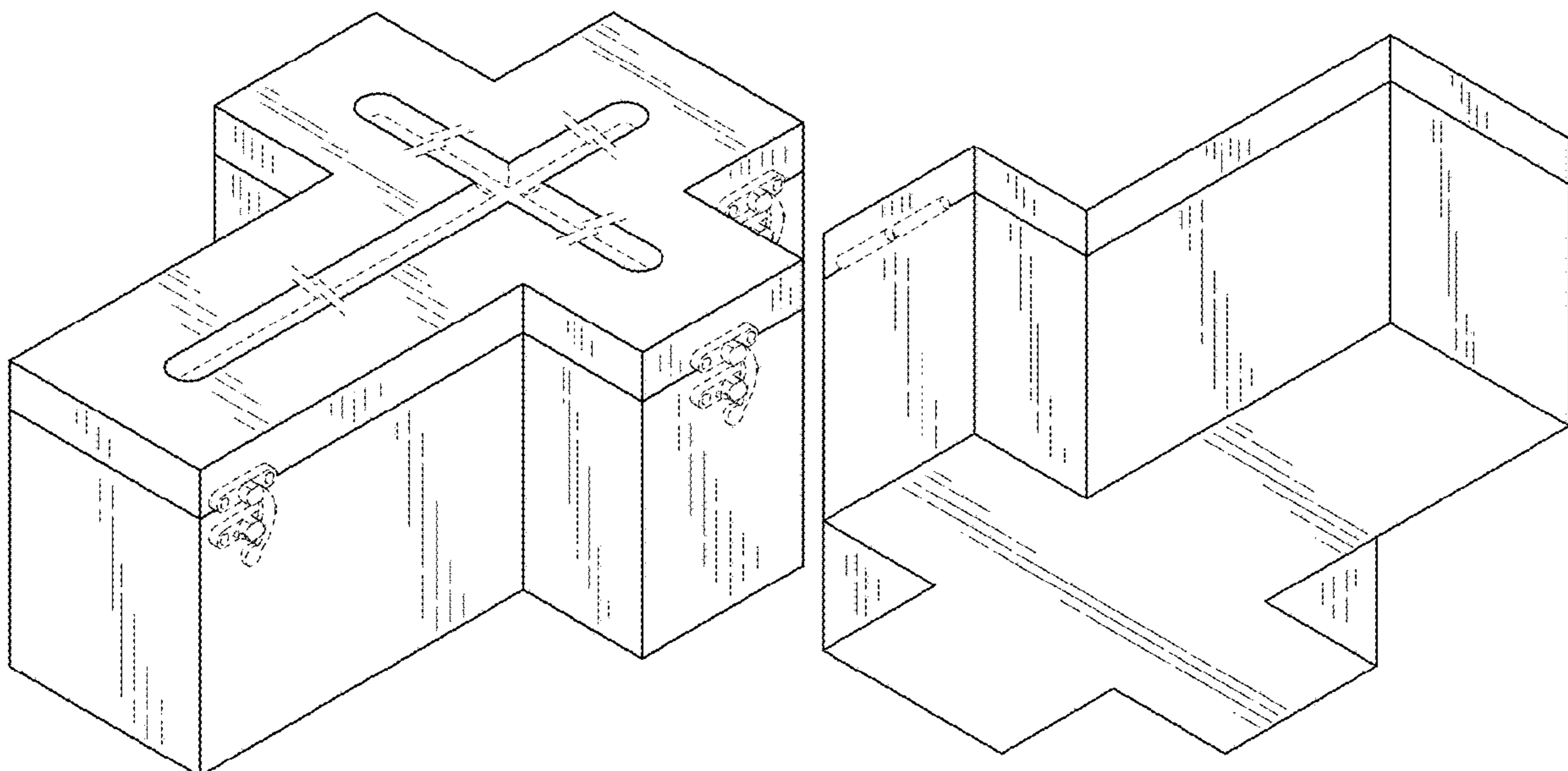
(57) **CLAIM**

The ornamental design for a cross-shaped cremation urn, as shown and described.

DESCRIPTION

FIG. 1 is an upper perspective view of the cross-shaped cremation urn of the present invention. FIG. 2 is a lower perspective view of the urn of FIG. 1. FIG. 3 is a top plan view of the urn of FIG. 1. FIG. 4 is a bottom plan view of the urn of FIG. 1. FIG. 5 is a top side view of the urn of FIG. 1. FIG. 6 is a bottom side view of the urn of FIG. 1. FIG. 7 is a right side view of the urn of FIG. 1; and, FIG. 8 is a left side view of the urn of FIG. 1. The broken lines of FIGS. 1-8 are for illustrative purposes only and for no part of the claimed design.

1 Claim, 8 Drawing Sheets



(56)

References Cited

U.S. PATENT DOCUMENTS

4,463,527 A * 8/1984 Schlosser A01G 27/005
52/103
D356,308 S * 3/1995 Culbertson D14/137
D370,770 S * 6/1996 Cramer D99/27
5,588,253 A * 12/1996 Boodley A01G 5/04
428/3
D385,672 S * 10/1997 Noris D6/674
5,693,380 A * 12/1997 O'Connell A01G 5/04
428/23
6,526,636 B2 * 3/2003 Bernhardt A61G 17/08
27/1
D527,510 S * 8/2006 Thomas D99/25
D540,817 S * 4/2007 Milstein D14/203.2
D555,535 S * 11/2007 Mantor D11/149
D565,296 S * 4/2008 Shanahan D3/271.1
D578,275 S * 10/2008 Shantz D99/17
D611,221 S * 3/2010 Parks D99/5

D639,701 S * 6/2011 Ditty D11/96
D652,764 S * 1/2012 Cadigan D11/157
D653,160 S * 1/2012 Ford D11/149
D658,908 S * 5/2012 Kroll D6/674
D663,095 S * 7/2012 Naimi D99/27
D671,295 S * 11/2012 Anthony D99/5
D671,770 S * 12/2012 Kroll D6/674
D686,083 S * 7/2013 Kaufman D9/652
D688,591 S * 8/2013 Merrell D11/149
D688,594 S * 8/2013 Dunn D11/184
D696,813 S * 12/2013 Odisho D26/125
D706,515 S * 6/2014 Zabarsky D99/25
D752,367 S * 3/2016 Kroll D6/674
D756,590 S * 5/2016 Bialecki D99/27
D768,414 S * 10/2016 Kroll D6/674
D768,416 S * 10/2016 Kroll D6/674
D784,737 S * 4/2017 Kroll D6/674
D785,977 S * 5/2017 Kroll D6/674
D830,663 S * 10/2018 Singh D99/17

* cited by examiner

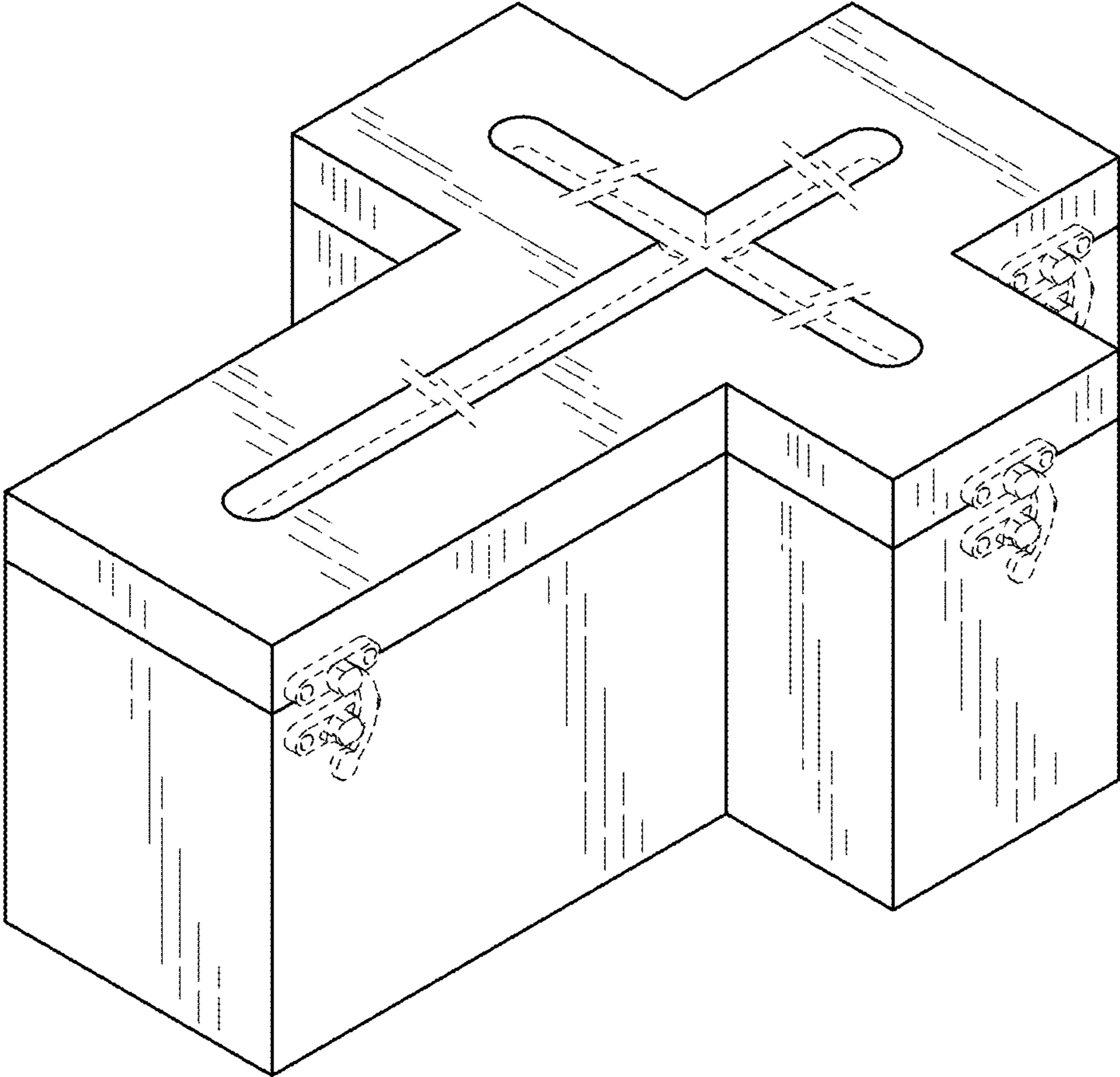


FIG.1

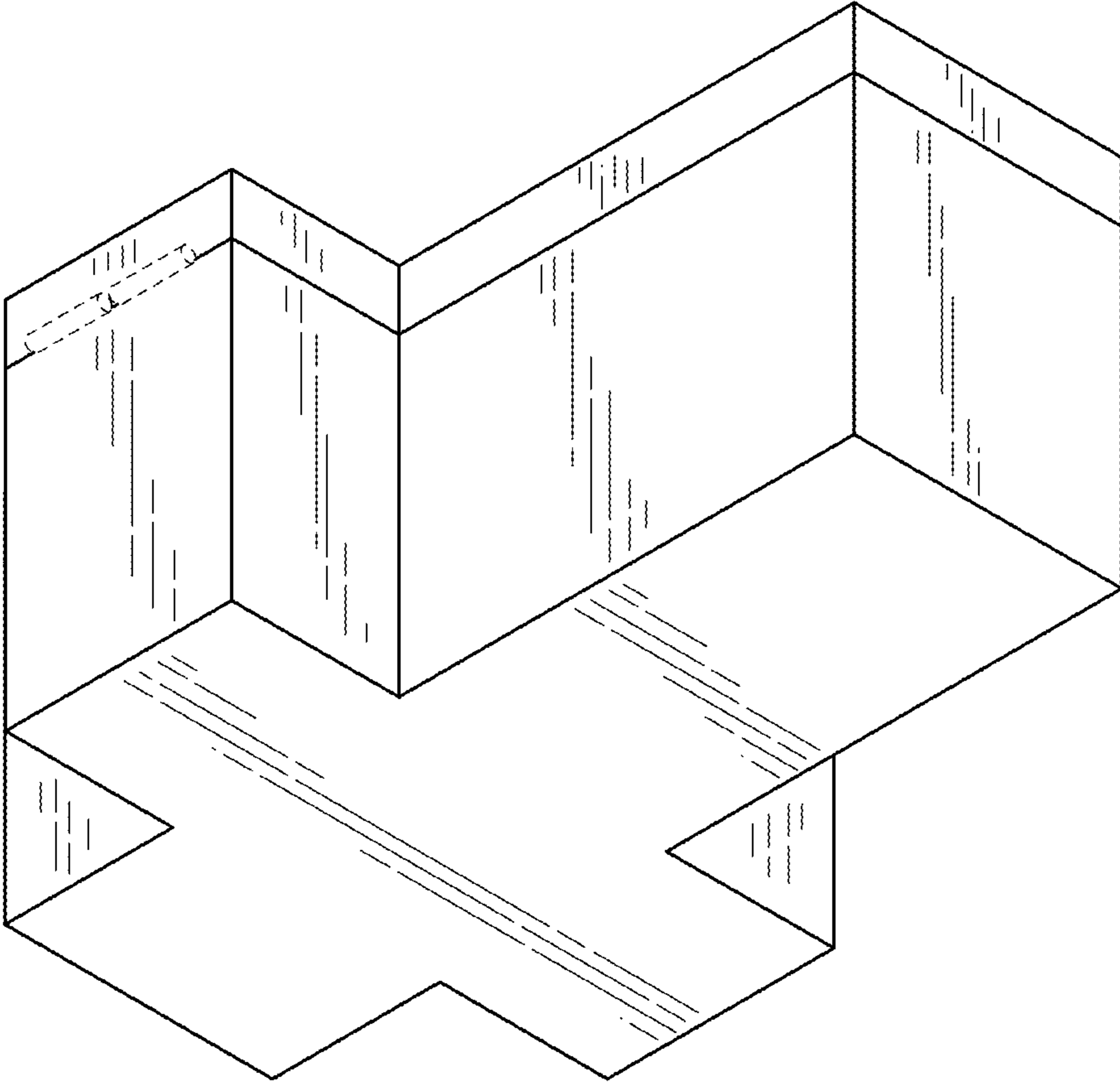


FIG.2

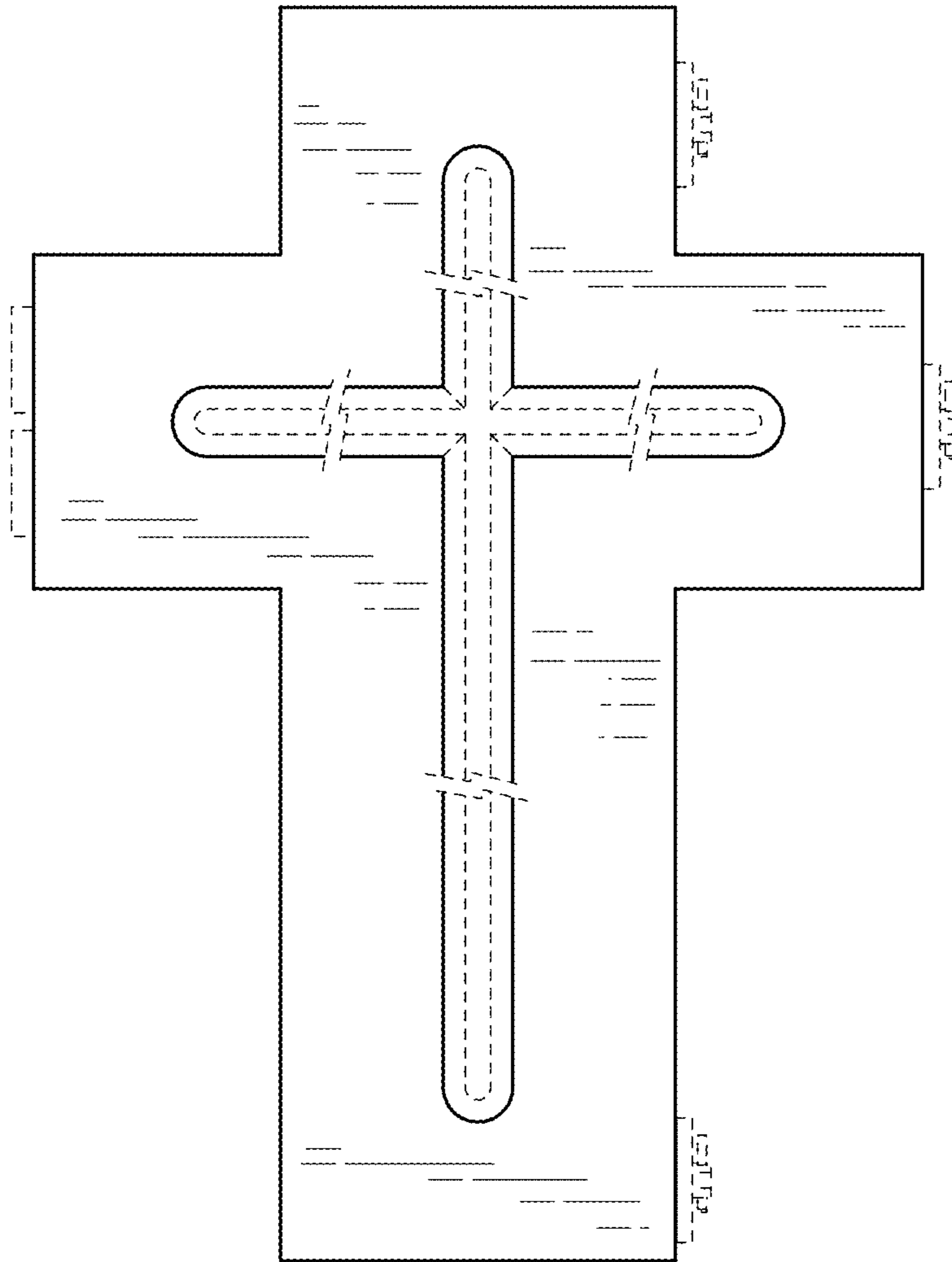


FIG.3



FIG.4

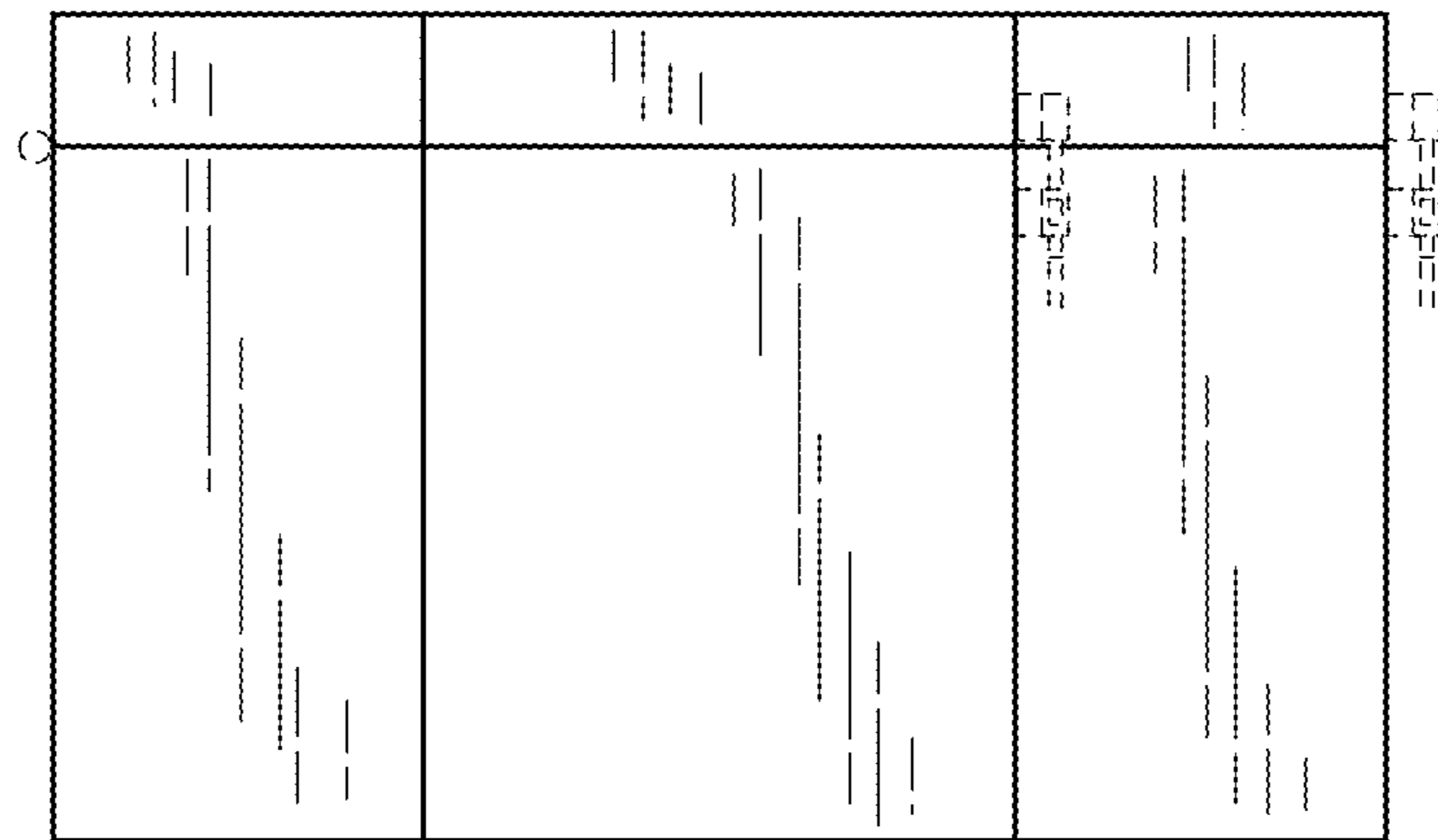


FIG.5

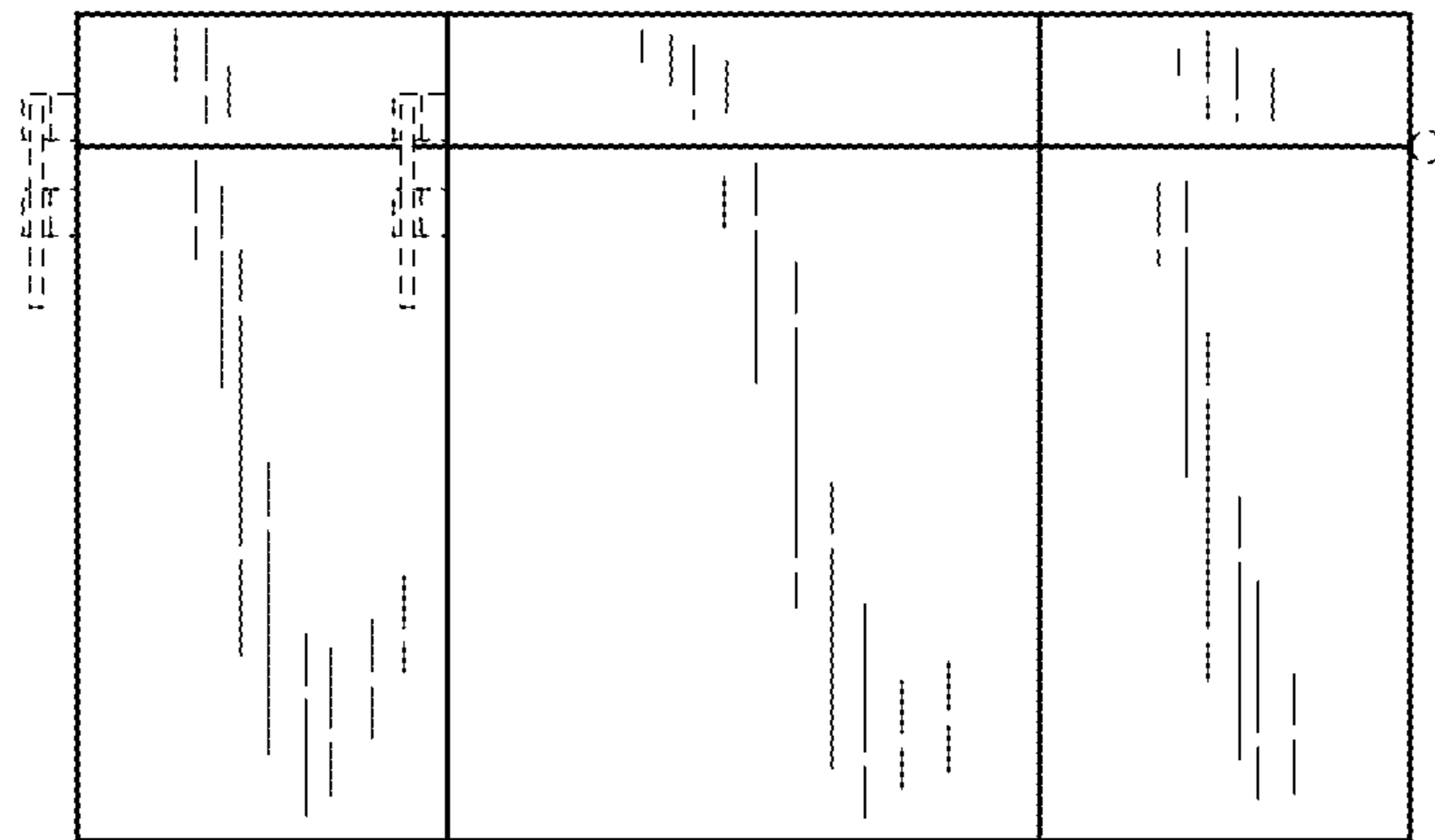


FIG.6

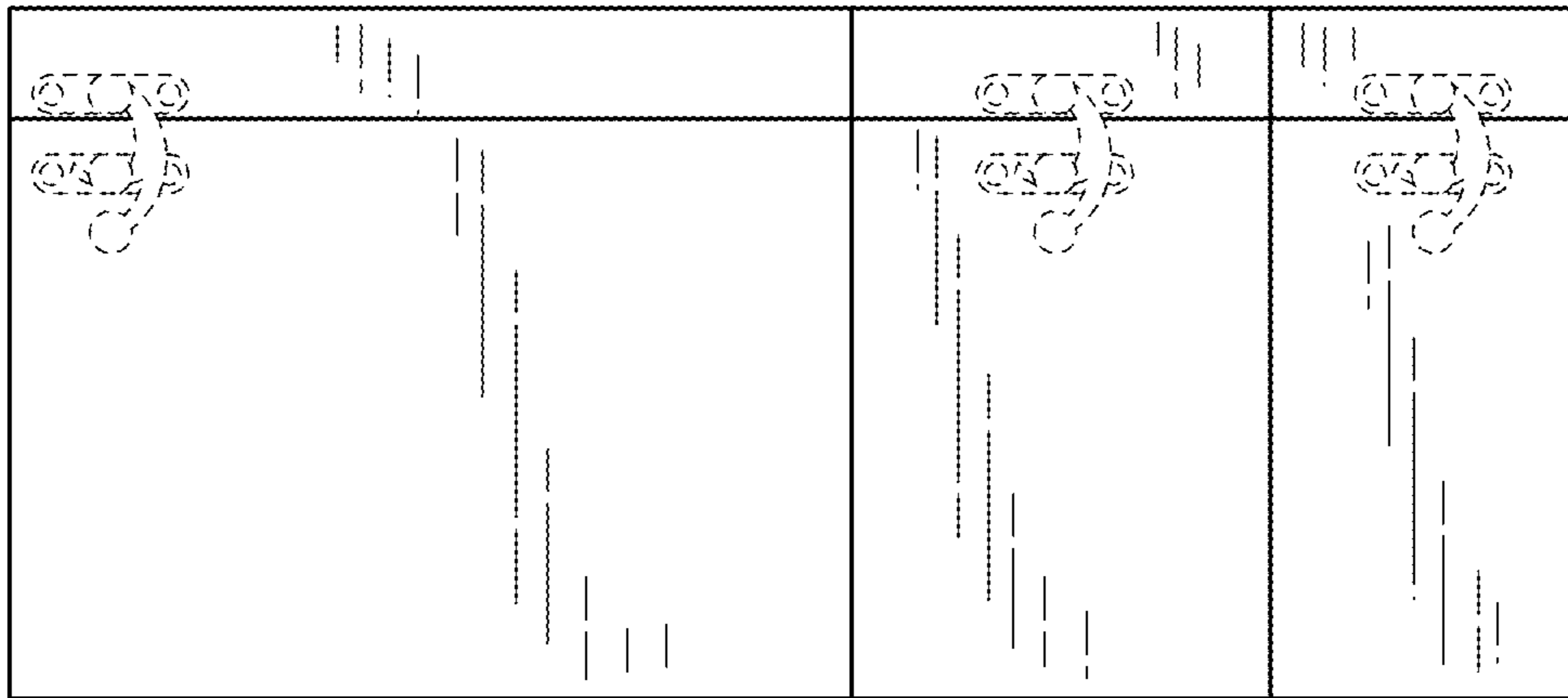


FIG. 7

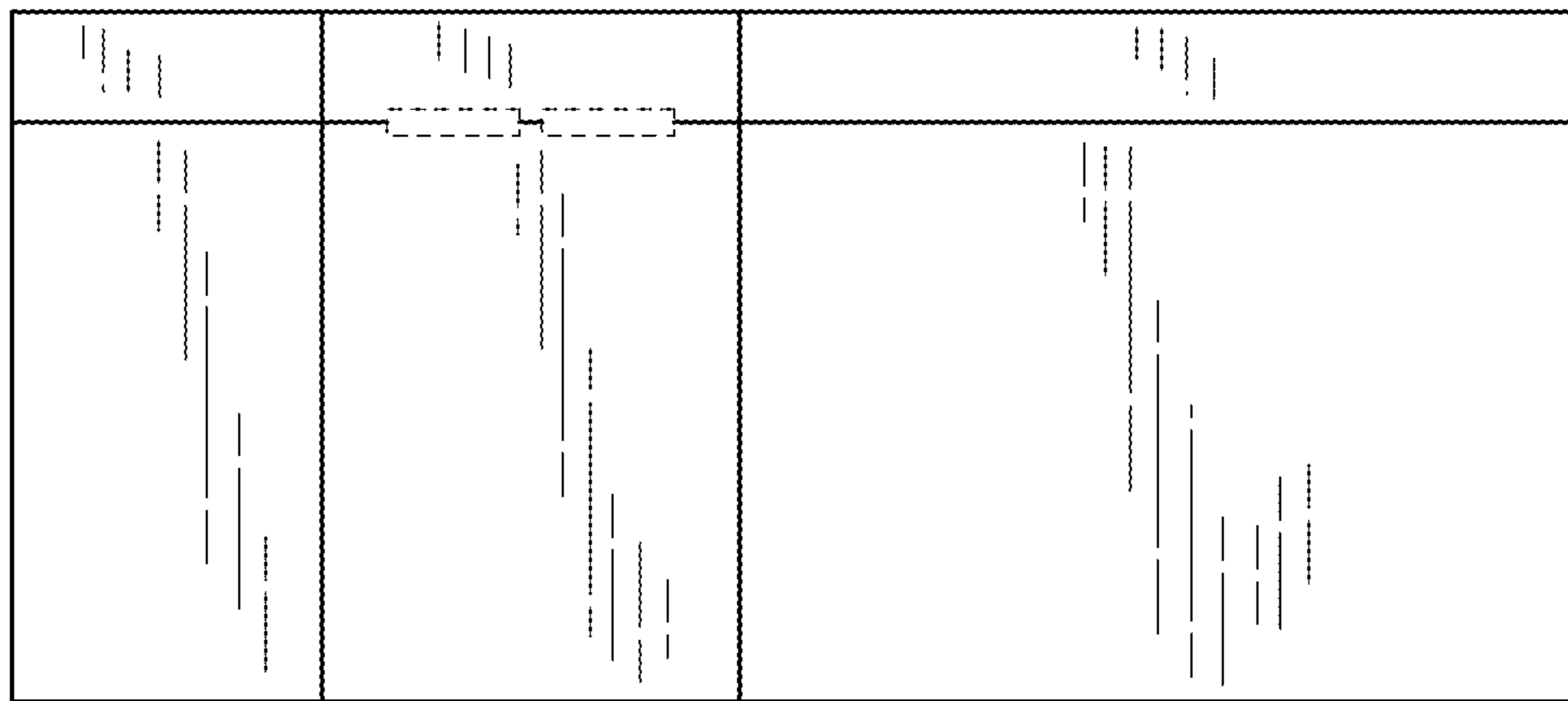


FIG. 8