



US00D916421S

(12) **United States Design Patent** (10) **Patent No.:** **US D916,421 S**
Niebuhr (45) **Date of Patent:** **** Apr. 13, 2021**

(54) **CONTROL CONSOLE FOR AN INDUSTRIAL TRUCK**

(71) Applicant: **JUNGHEINRICH AKTIENGESELLSCHAFT**, Hamburg (DE)

(72) Inventor: **Michael Niebuhr**, Bargteheide (DE)

(73) Assignee: **Jungheinrich Aktiengesellschaft**

(**) Term: **15 Years**

(21) Appl. No.: **29/732,705**

(22) Filed: **Apr. 27, 2020**

Related U.S. Application Data

(62) Division of application No. 35/506,091, filed on Jul. 23, 2018 (U.S. filing date under 35 U.S.C. 384), and having an international filing date of Jul. 23, 2018, now Pat. No. Des. 886,405.

(30) **Foreign Application Priority Data**

Jan. 24, 2018 (EM) 004678522-0004

(51) **LOC (13) Cl.** **12-05**

(52) **U.S. Cl.**
USPC **D34/35; D12/192**
CPC **B60K 37/00** (2013.01)

(58) **Field of Classification Search**

USPC D34/28, 34-37; D15/10, 28; 187/222, 187/234, 226, 238; 180/59.12, 89.12, 180/89.13, 89.17; D12/192, 400, 415
CPC B62B 5/063; B60N 2/00; B60N 2/4693; B66F 9/07531; B60R 1/00; B60K 35/00; B60K 37/00

See application file for complete search history.

(56) **References Cited**

U.S. PATENT DOCUMENTS

3,027,961 A *	4/1962	Rogant	B62D 7/02
				180/315
3,174,576 A *	3/1965	Woofter	H01R 13/62
				180/90
3,645,353 A *	2/1972	Cope	B60R 21/09
				180/90
3,910,371 A *	10/1975	Magrini	B60K 37/00
				180/90
3,946,826 A *	3/1976	Guhl	B60K 37/00
				180/90
4,126,202 A *	11/1978	Hern	B60K 35/00
				180/89.12
D401,718 S *	11/1998	Henshaw	D34/35
D405,150 S	2/1999	Magaline		
6,137,398 A	10/2000	Dunlap et al.		
6,182,778 B1	2/2001	Henshaw et al.		
6,182,797 B1	2/2001	Tebbe et al.		
D440,855 S	4/2001	Wang		
D441,515 S *	5/2001	Brandt	D34/34
6,236,927 B1	5/2001	Sherman		
D448,137 S *	9/2001	Lewis, Jr.	D34/35
6,517,138 B1 *	2/2003	Arthur	B60H 1/00985
				180/90
D471,339 S	3/2003	Mori		

(Continued)

Primary Examiner — Richard E Chilcot

(74) *Attorney, Agent, or Firm* — Barclay Damon LLP

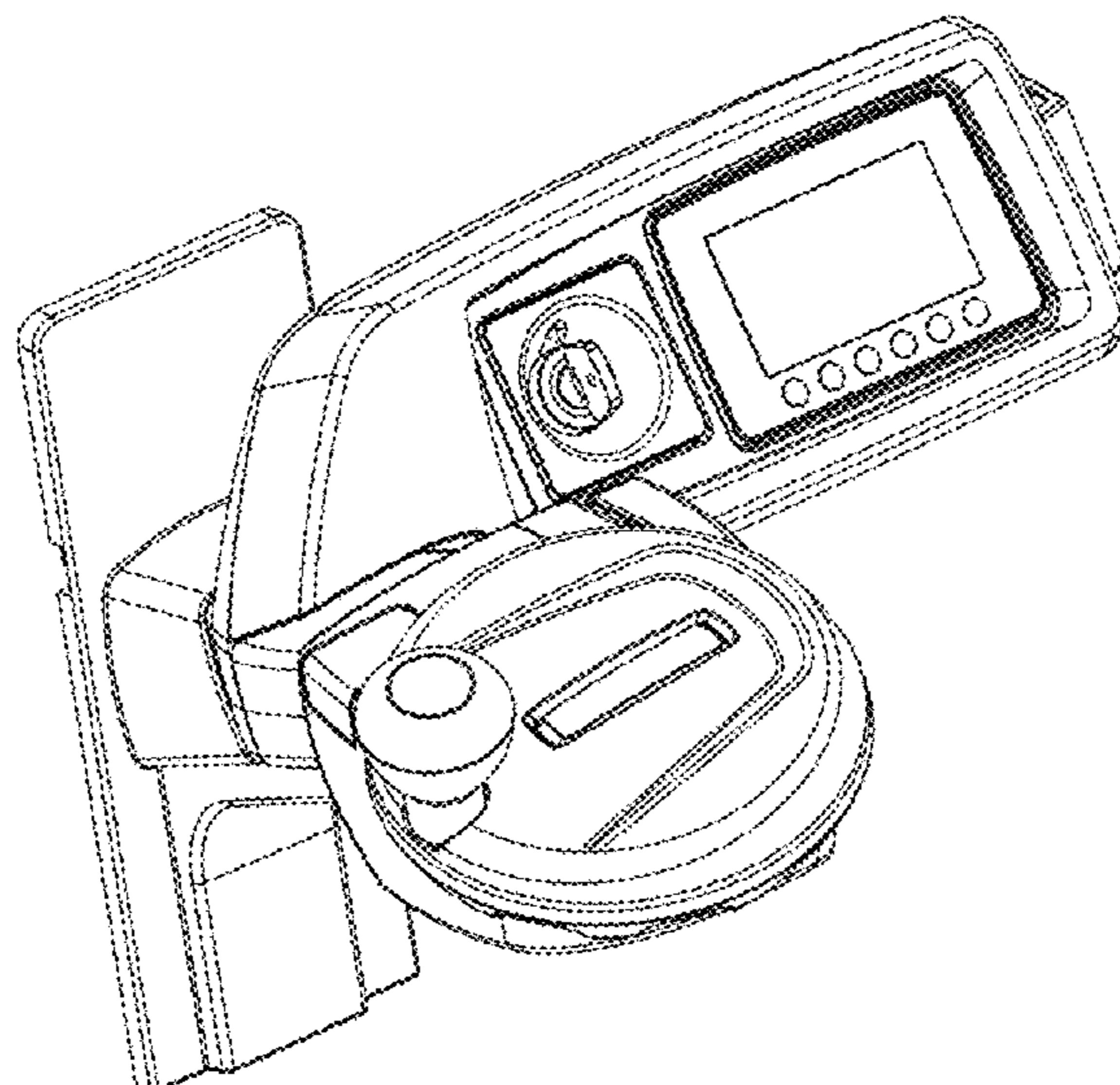
(57) **CLAIM**

An ornamental design for a control console for an industrial truck, as shown and described.

DESCRIPTION

FIG. 1 is a front perspective view of the control console for an industrial truck in accordance with my new design; FIG. 2 is a front facing view thereof; FIG. 3 is a rear facing side view thereof; FIG. 4 is a right side view thereof; FIG. 5 is a left side view thereof; FIG. 6 is a top plan view thereof; and, FIG. 7 is a bottom view thereof.

1 Claim, 7 Drawing Sheets



(56)

References Cited

U.S. PATENT DOCUMENTS

D524,509 S *	7/2006	Cantrill	D12/192
D525,409 S *	7/2006	Cantrill	D12/192
D529,621 S	10/2006	Roberts	
D585,623 S	1/2009	Quinlan, Jr. et al.	
D605,374 S	12/2009	Nishikawa et al.	
D684,333 S	6/2013	Knie	
D717,514 S	11/2014	Miggels et al.	
D720,114 S	12/2014	Stark	
D730,614 S	5/2015	Wu et al.	
D733,389 S	6/2015	Wu et al.	
D733,390 S	6/2015	Wu et al.	
D734,589 S	7/2015	Wu et al.	
D769,567 S	10/2016	Hooock et al.	
D822,938 S	7/2018	Hooock et al.	
D827,244 S	8/2018	Hooock et al.	
D850,336 S *	6/2019	Mariotti	D12/175
D856,227 S *	8/2019	Mariotti	D12/175
D859,775 S	9/2019	Nilsson	
D867,238 S *	11/2019	Mariotti	D12/175

* cited by examiner

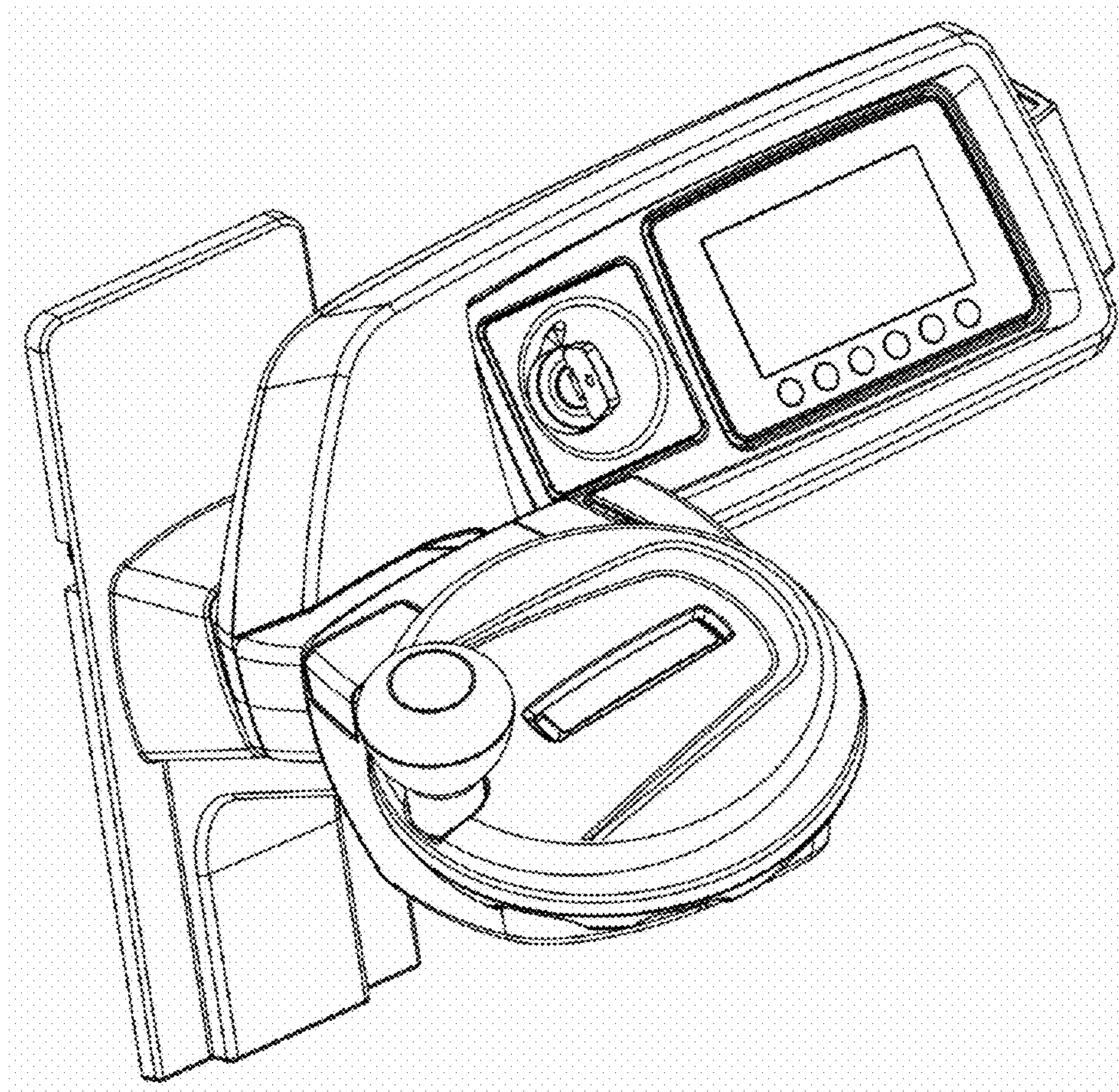


FIG. 1

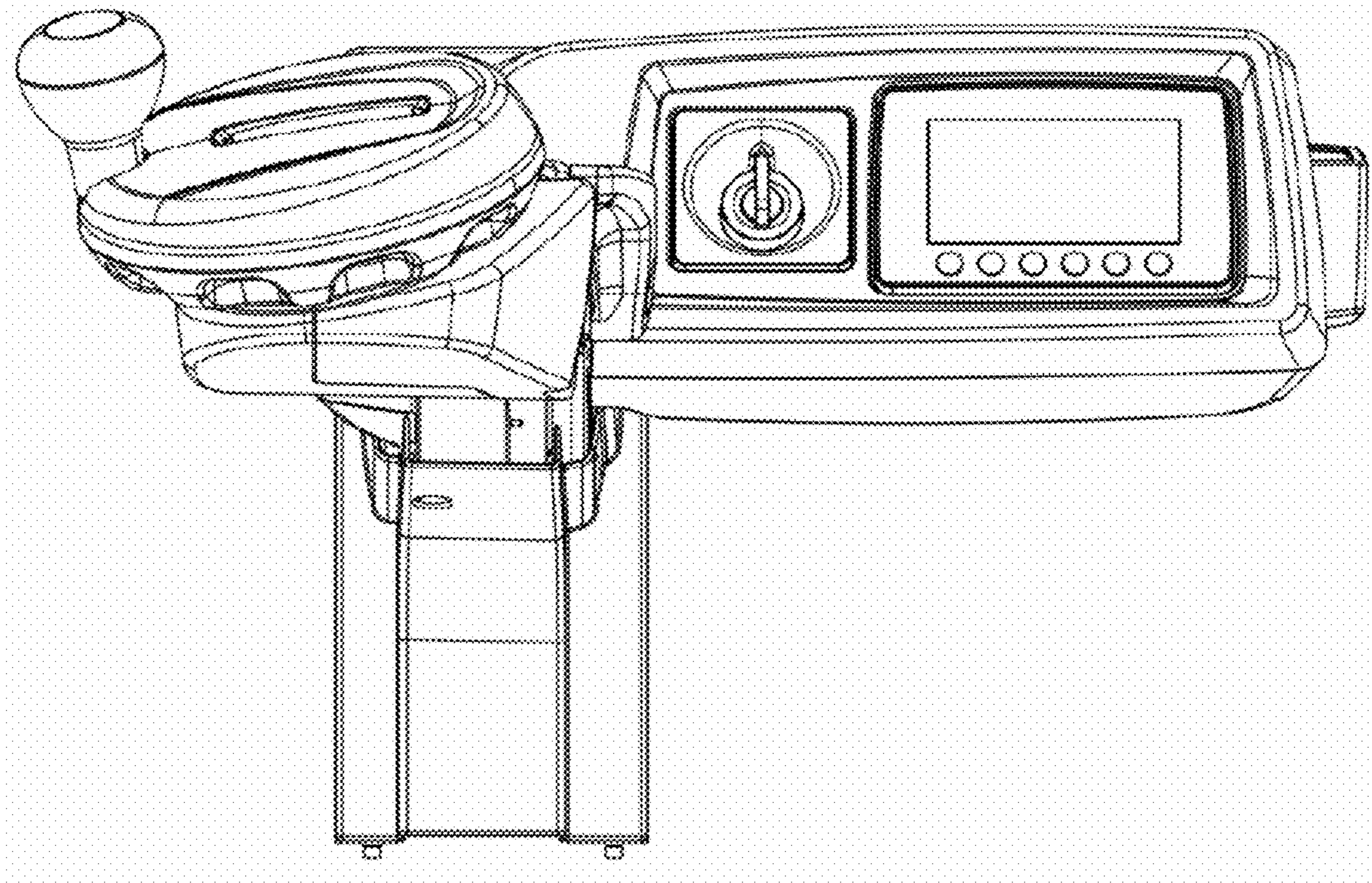


FIG. 2

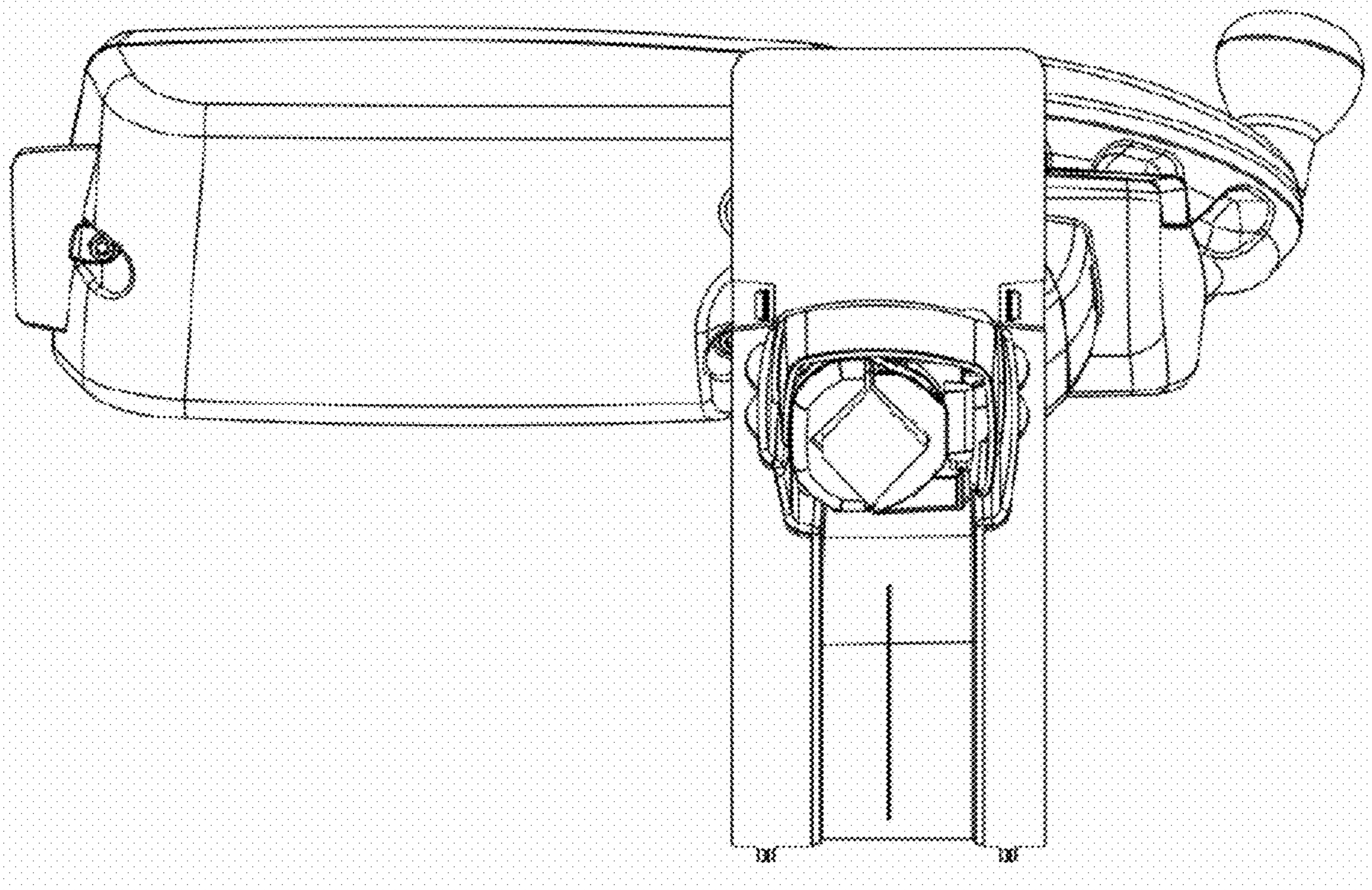


FIG. 3

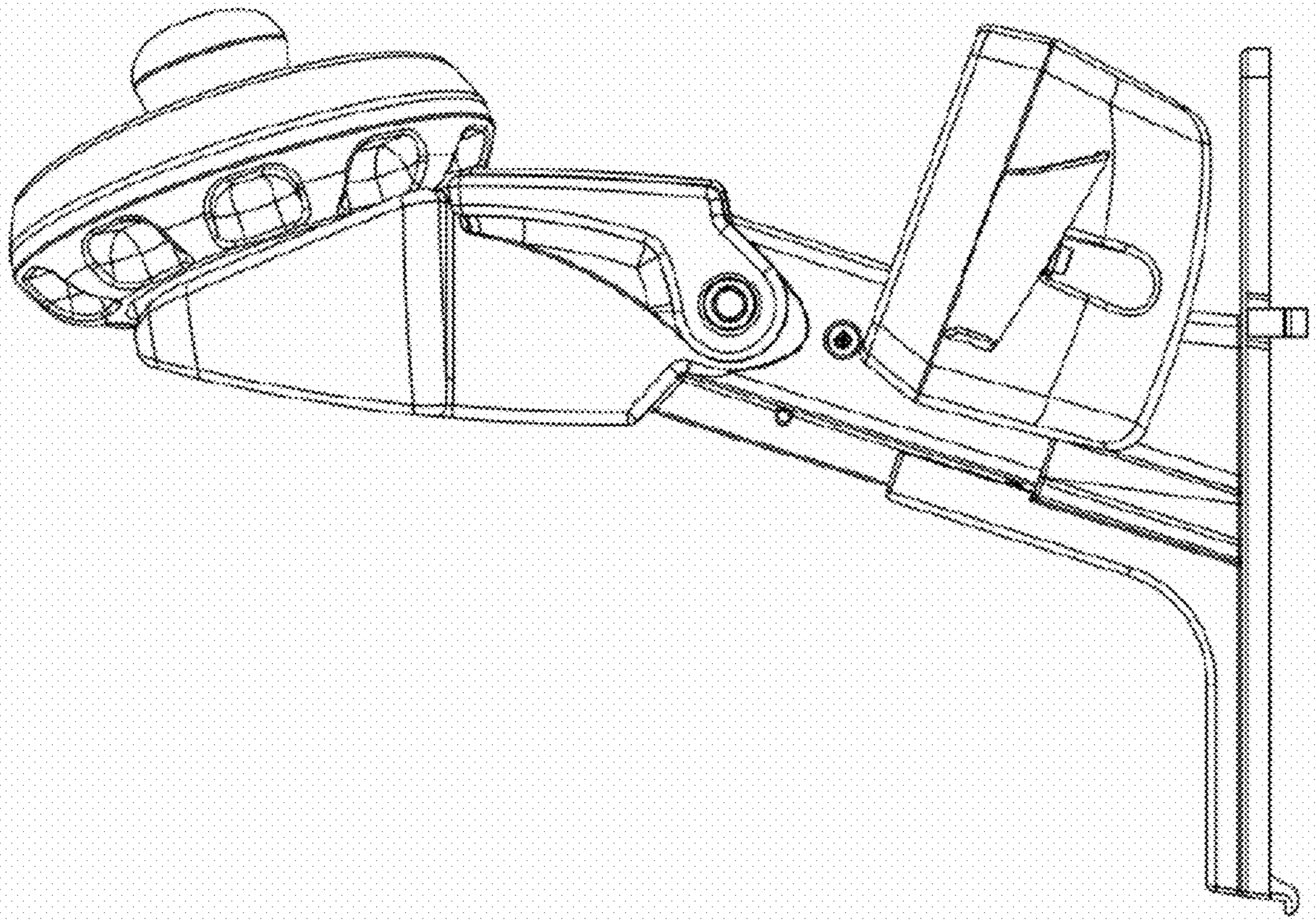


FIG. 4

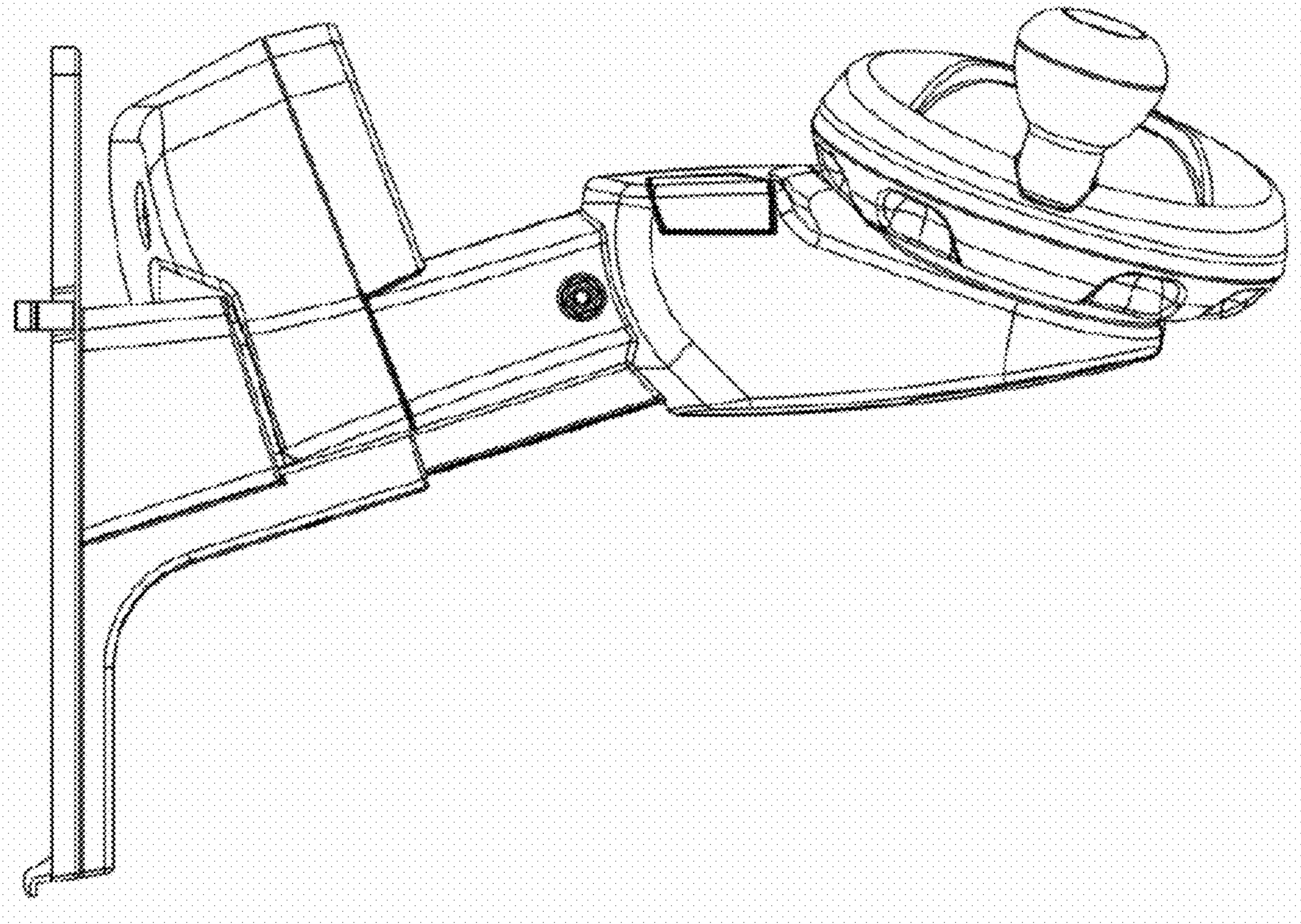


FIG. 5

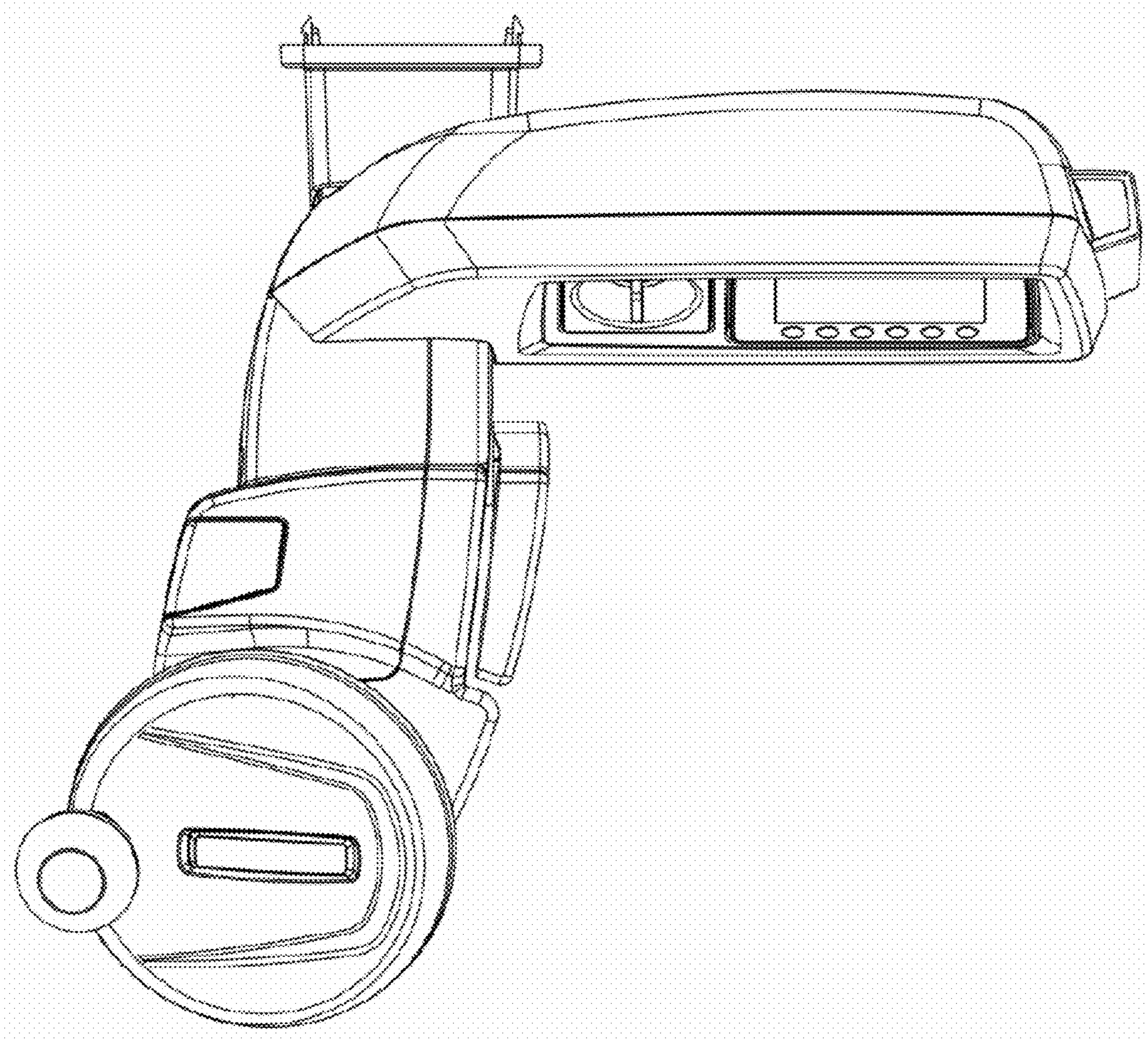


FIG. 6

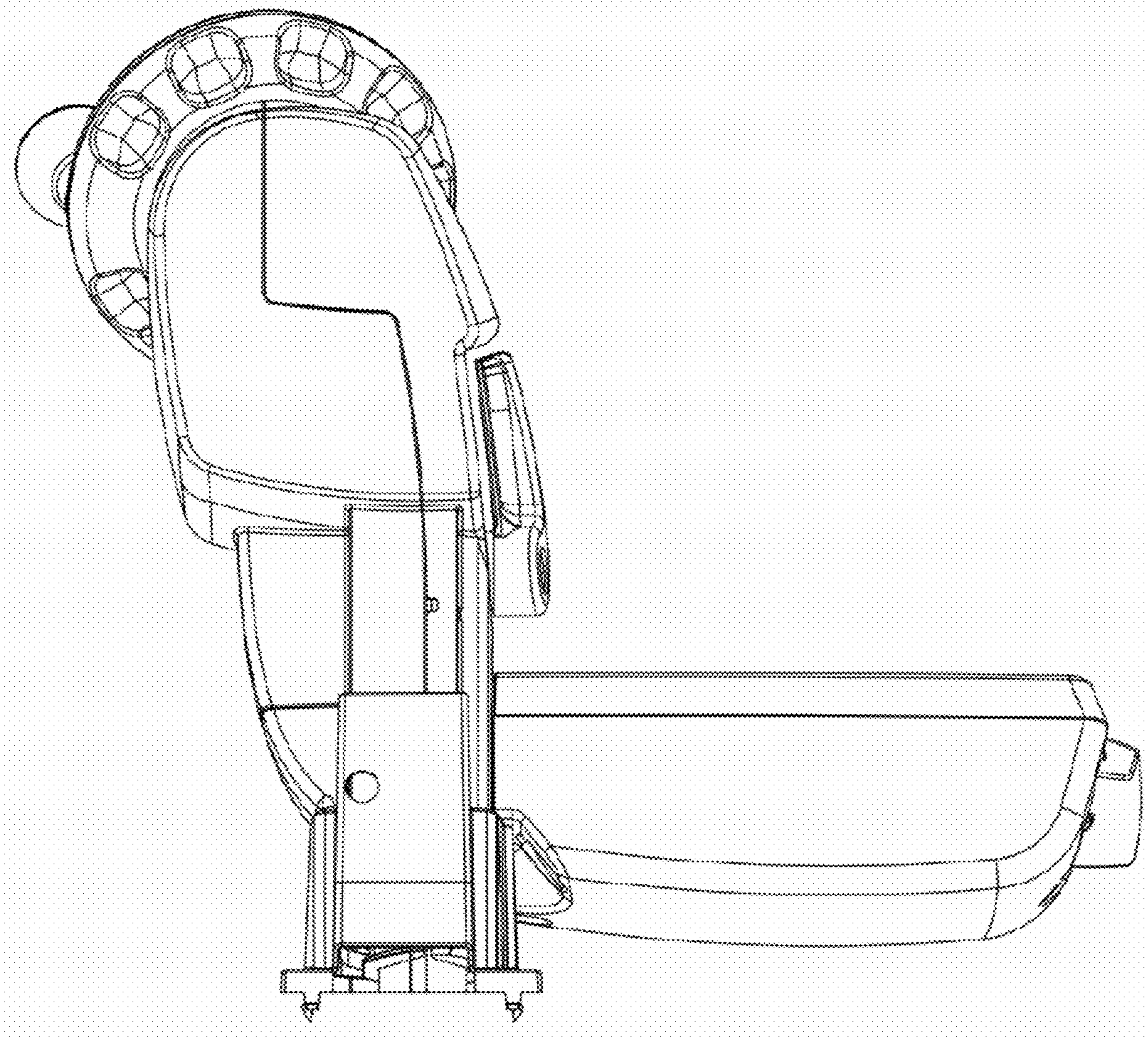


FIG. 7