



US00D916419S

(12) **United States Design Patent** (10) **Patent No.:** **US D916,419 S**
Spronken (45) **Date of Patent:** **** Apr. 13, 2021**

(54) **UNIVERSAL SPREADER BAR**
(71) Applicant: **John Rene Spronken**, Calgary (CA)
(72) Inventor: **John Rene Spronken**, Calgary (CA)
(**) Term: **15 Years**
(21) Appl. No.: **29/676,885**
(22) Filed: **Jan. 15, 2019**

D265,173 S * 6/1982 Brooks D34/35
6,412,649 B1 7/2002 Khachaturian
D503,023 S * 3/2005 Holub D34/28
D506,589 S * 6/2005 Harrah D34/35
D547,524 S * 7/2007 Hansort D34/35
8,382,175 B2 2/2013 DiMartino
9,051,159 B2 * 6/2015 Walker B66C 23/70
D790,797 S * 6/2017 Buell D34/35
D810,382 S * 2/2018 Hiroshima D34/35
D813,140 S * 3/2018 Stent D12/223

(Continued)

Related U.S. Application Data

(62) Division of application No. 29/614,805, filed on Aug. 23, 2017, now Pat. No. Des. 858,026.

Foreign Application Priority Data

(30) Jun. 28, 2017 (CA) 175650

(51) **LOC (13) Cl.** **12-05**

(52) **U.S. Cl.**
USPC **D34/35**

(58) **Field of Classification Search**
USPC D34/28, 35; D8/354, 356
CPC B66C 1/04; B66C 1/22; B66C 1/46; E04B
2001/1957; E04B 1/2403
See application file for complete search history.

References Cited

U.S. PATENT DOCUMENTS

966,562 A * 8/1910 Kroenzer A45F 3/15
224/266
1,472,081 A * 10/1923 Mercer B66C 1/28
294/81.6
1,862,312 A * 6/1932 Kositzky B66C 1/22
294/75
D202,718 S * 11/1965 Kore at al D34/35
3,527,493 A * 9/1970 Phares B66C 1/04
294/74
3,584,909 A * 6/1971 Behnke B66C 1/04
294/65.5
D264,934 S * 6/1982 Brooks D34/35

FOREIGN PATENT DOCUMENTS

CA 2783260 A1 10/2015
CA 2872577 A1 5/2016

OTHER PUBLICATIONS

Sparta Designing Solutions article, Publication date unknown, copyright notation on web page is 2013, <http://www.spartaengineering.com/need-spreader-bar/>.

Primary Examiner — Cynthia Ramirez
(74) *Attorney, Agent, or Firm* — Reichel Stohry Dean LLP; Mark C. Reichel; Natalie J. Dean

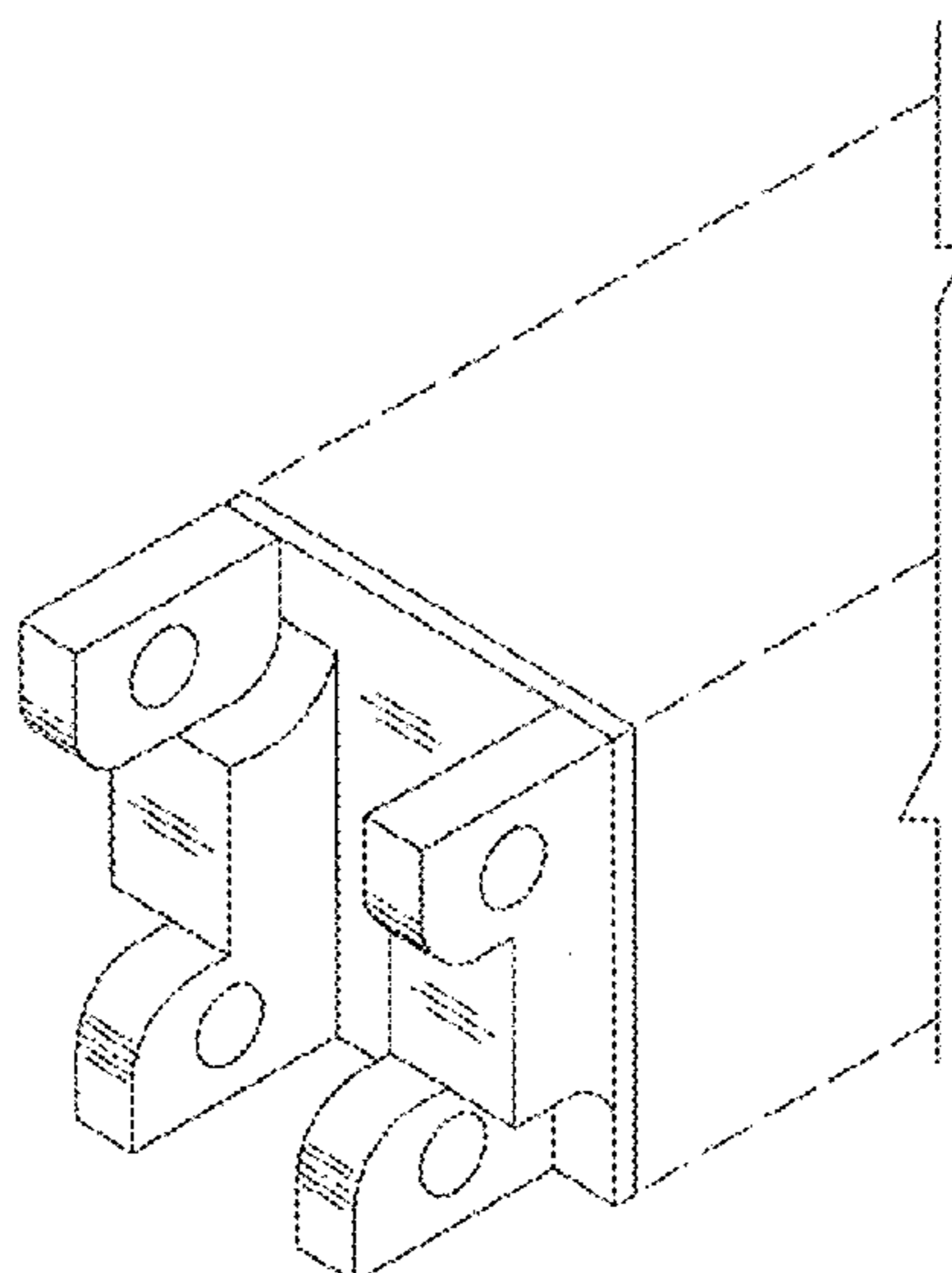
(57) **CLAIM**

The ornamental design for a universal spreader bar, as shown and described.

DESCRIPTION

FIG. 1 is a perspective view of a universal spreader bar showing my new design;
FIG. 2 is a top plan view thereof;
FIG. 3 is a bottom plan view thereof;
FIG. 4 is one side plan view thereof;
FIG. 5 is the other side plan view thereof; and,
FIG. 6 is an end view thereof.
The broken lines illustrate the environment of the claimed design and forms no part thereof.

1 Claim, 3 Drawing Sheets



(56)

References Cited

U.S. PATENT DOCUMENTS

D816,935	S *	5/2018	Maness	D34/28
D816,936	S *	5/2018	Maness	D34/28
D833,702	S *	11/2018	Hogan	D34/35
D858,026	S *	8/2019	Spronken	D34/35
D859,962	S *	9/2019	Fretz	D8/356
10,508,005	B2 *	12/2019	Spronken	E04B 1/1912
2004/0217610	A1 *	11/2004	Hollman	B66C 1/22 294/67.22
2005/0199567	A1	9/2005	Tardiff		
2009/0058117	A1 *	3/2009	Di Martino	B66C 1/22 294/81.5
2011/0260479	A1 *	10/2011	Fillol Vidal	B66C 1/06 294/68.3
2017/0158468	A1 *	6/2017	Nooren	B66C 1/62
2019/0002246	A1 *	1/2019	Spronken	B66C 1/16

* cited by examiner

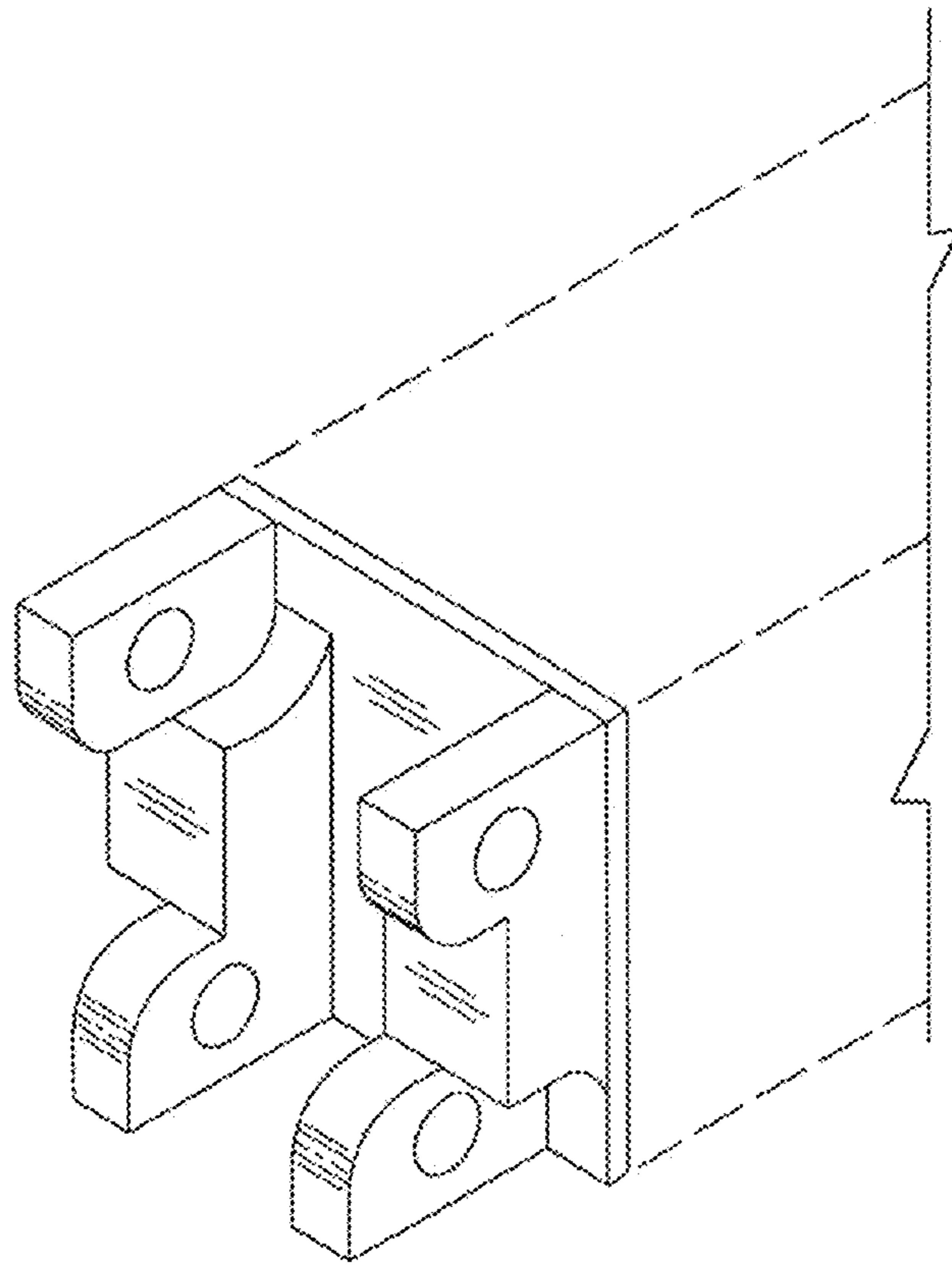


FIG. 1

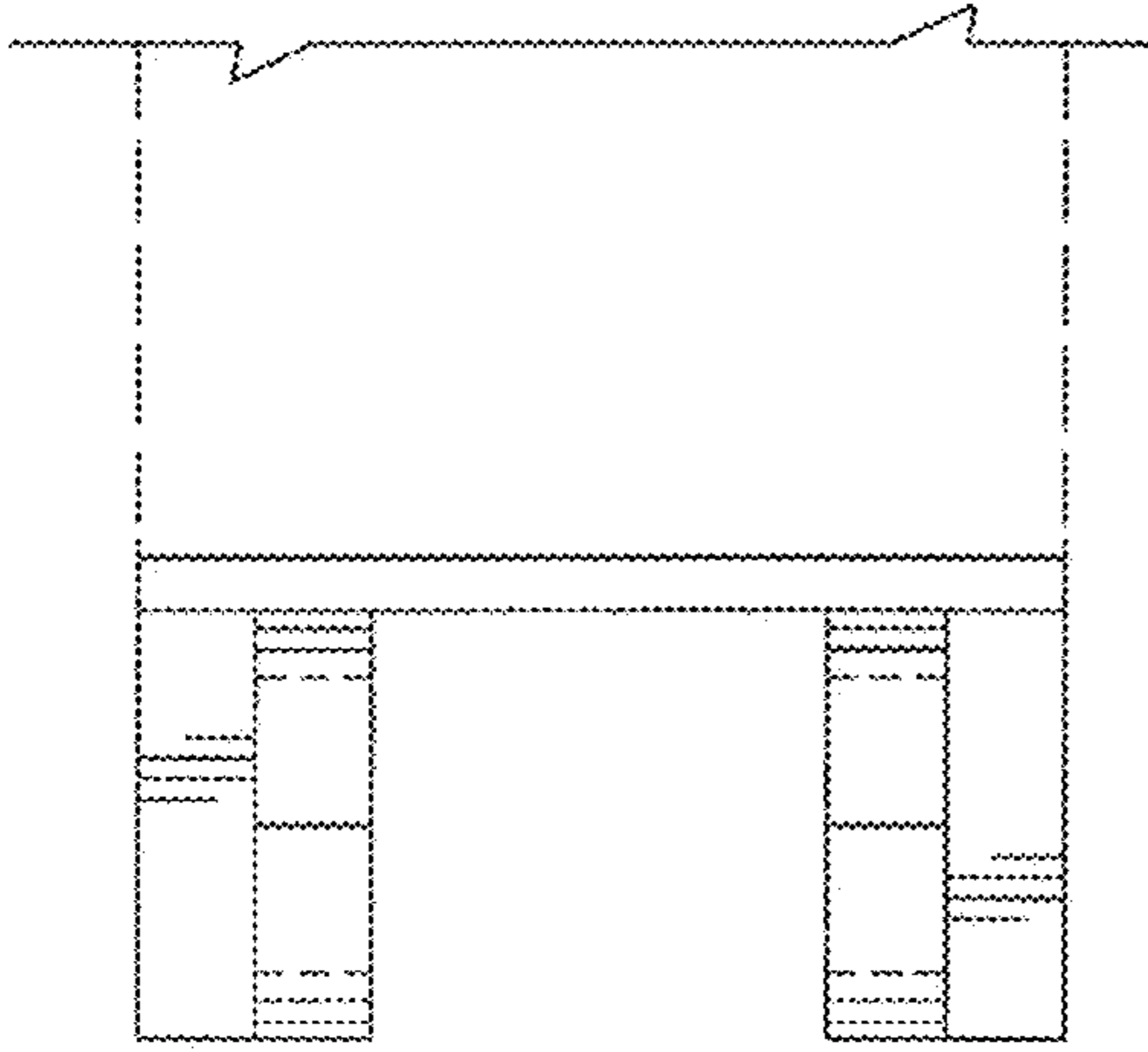


FIG. 2

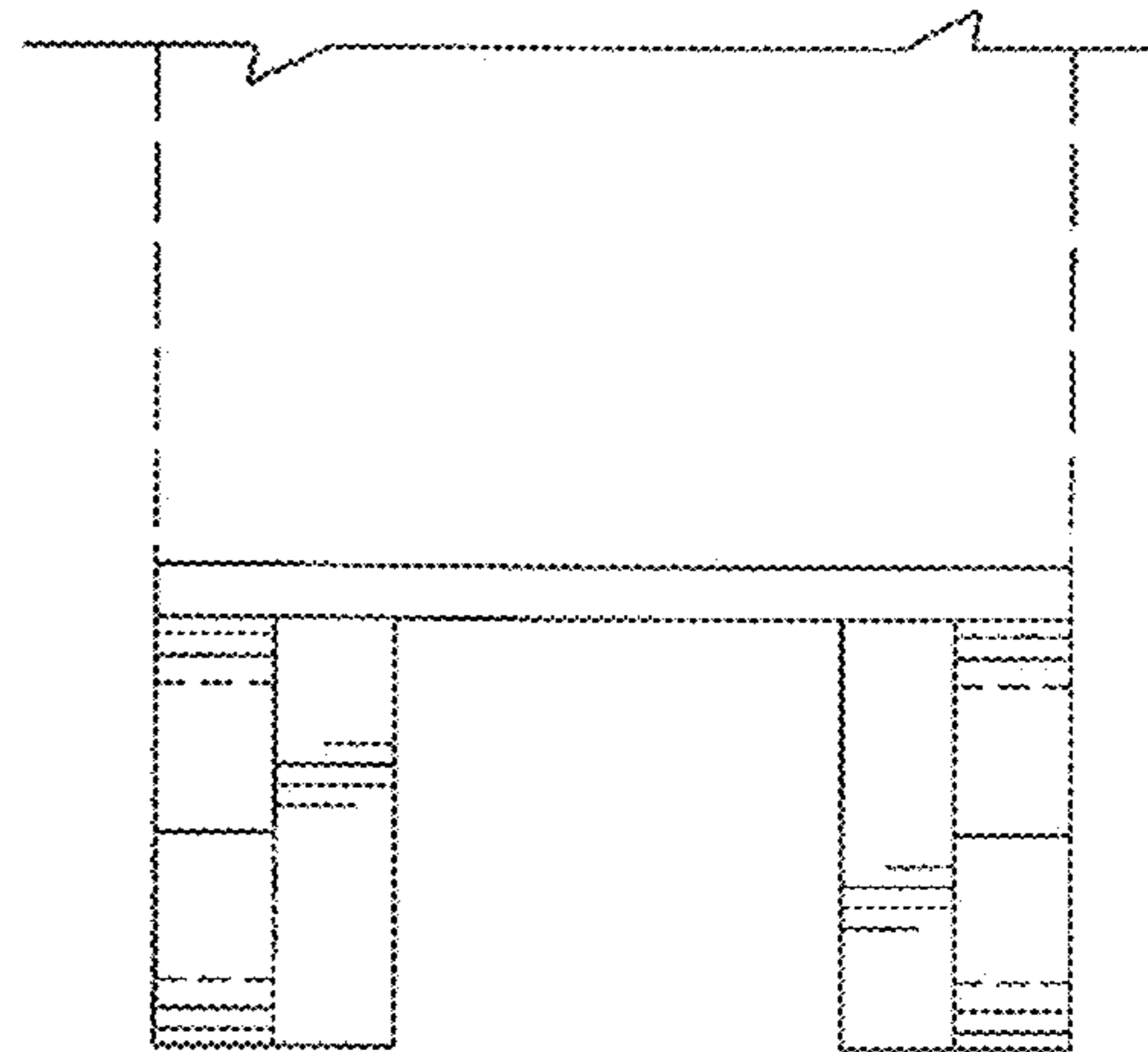


FIG. 3

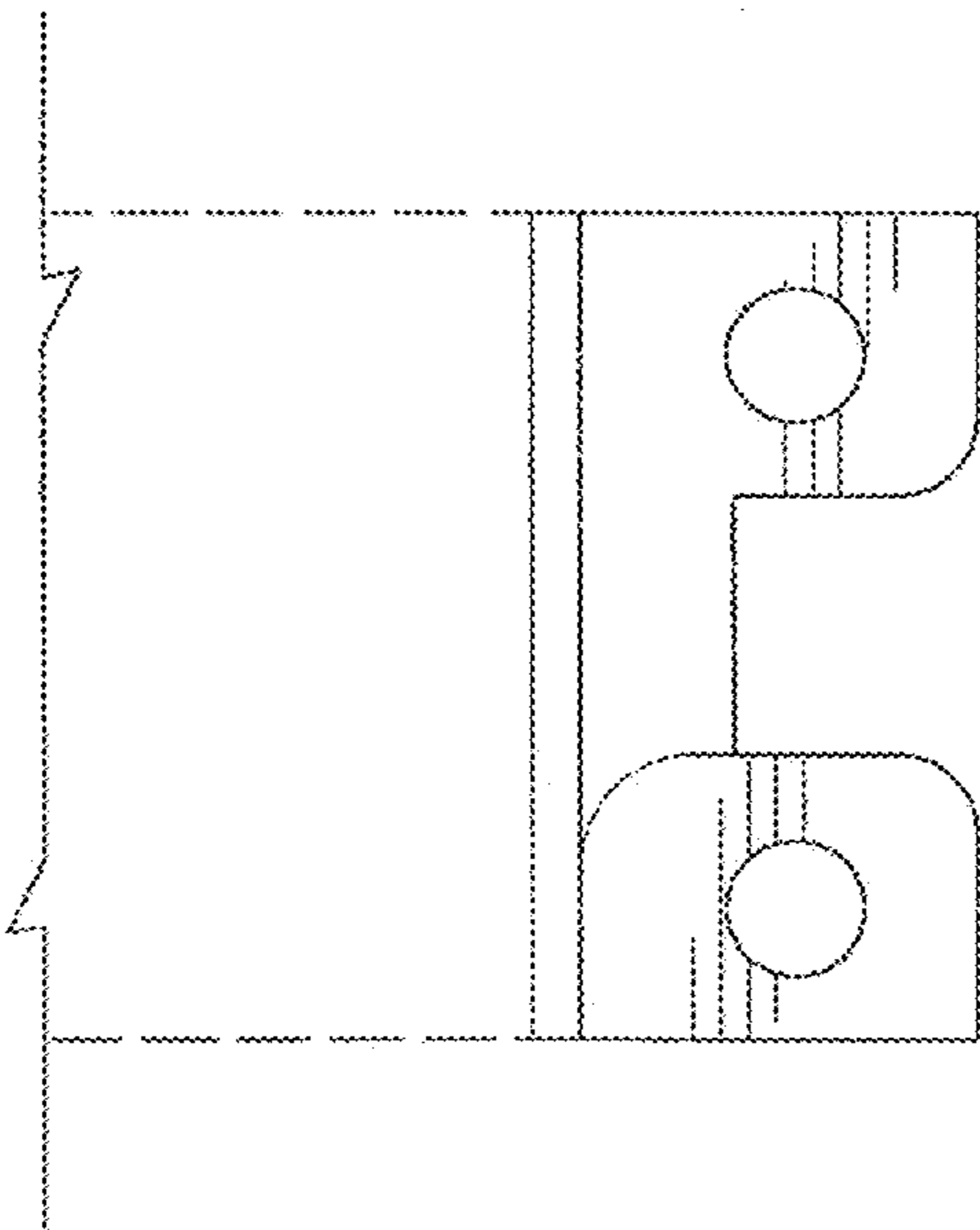


FIG. 4

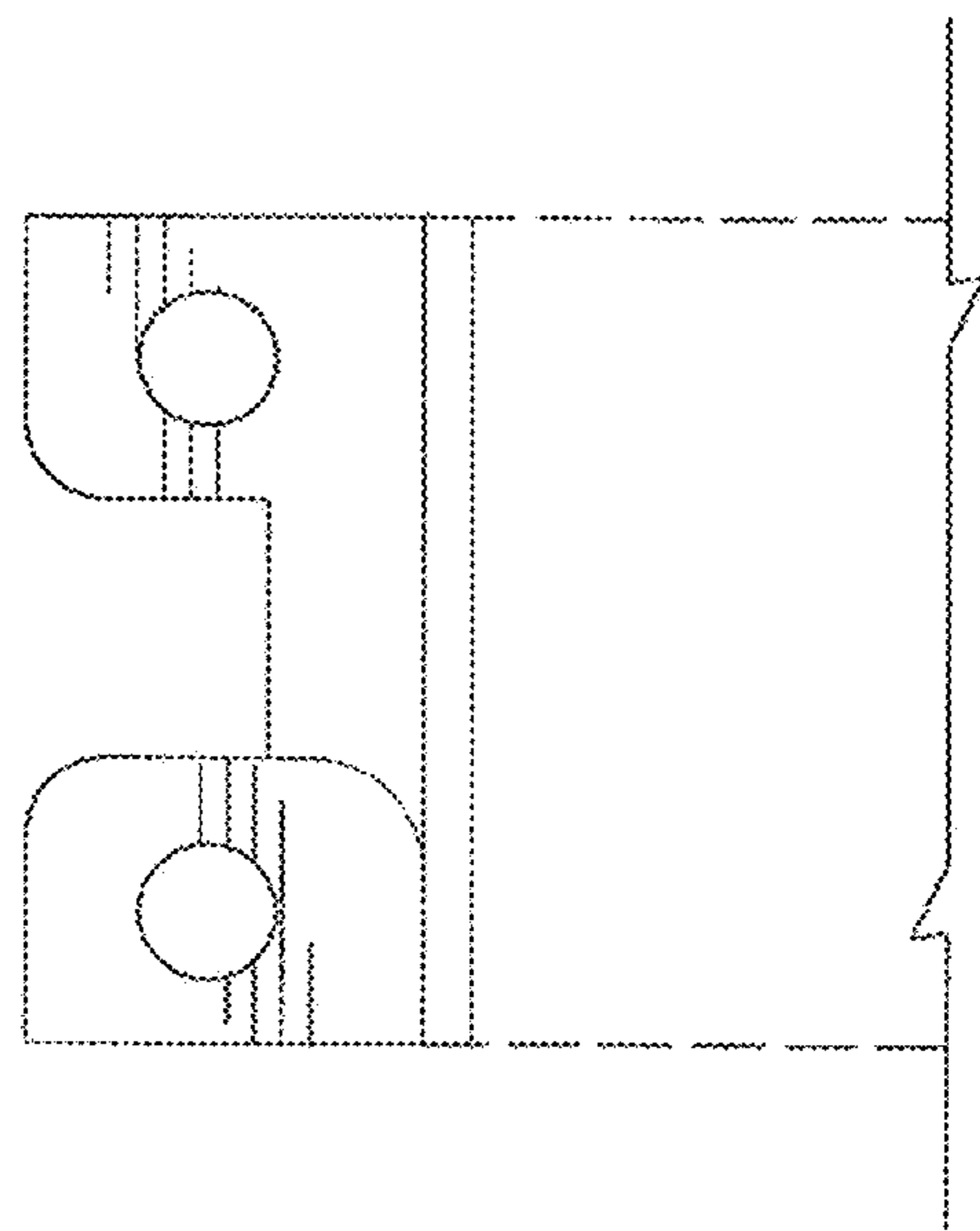


FIG. 5

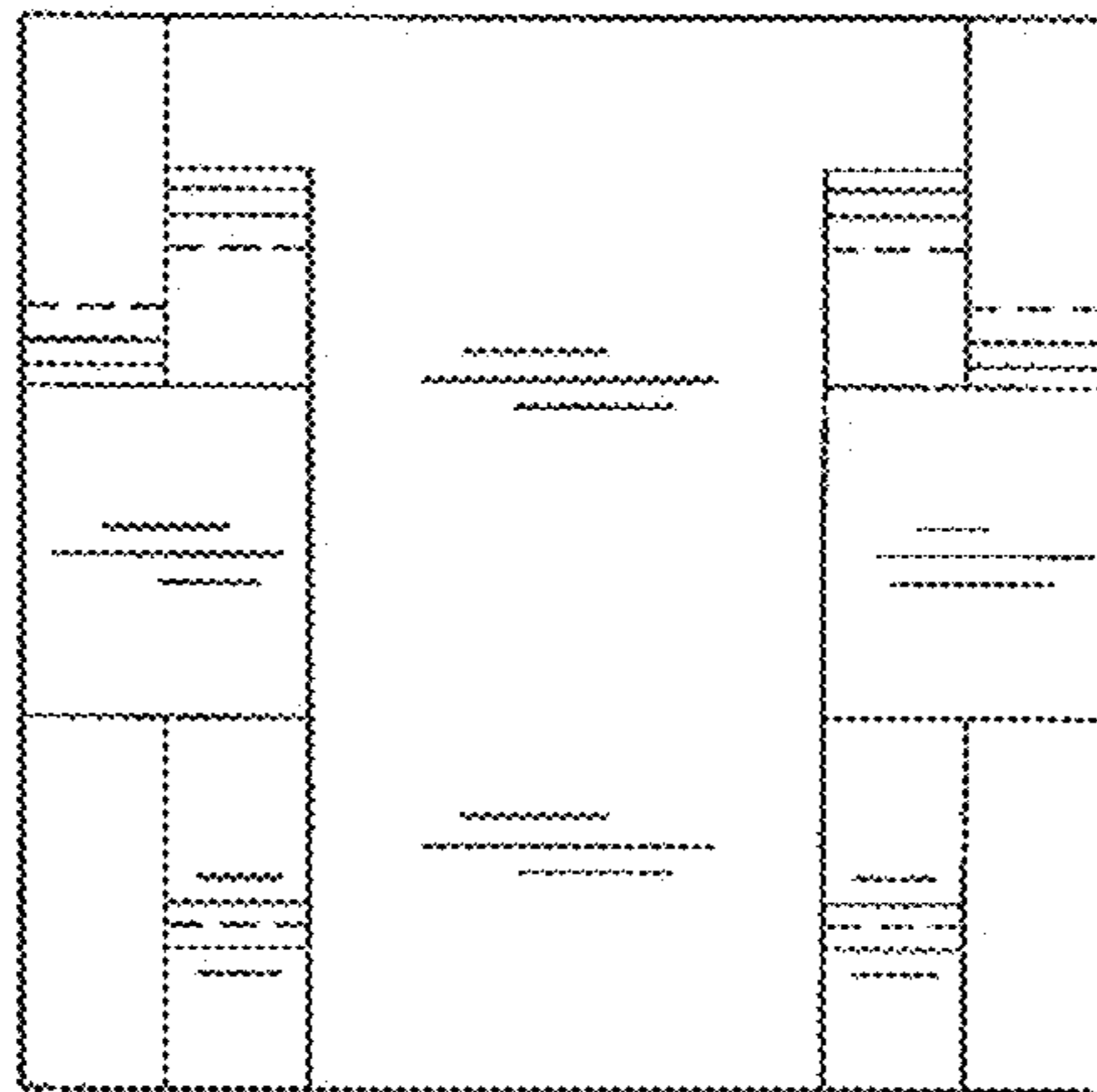


FIG. 6