



US00D916418S

(12) **United States Design Patent**
Ikeuchi et al.

(10) **Patent No.:** **US D916,418 S**
(45) **Date of Patent:** **** Apr. 13, 2021**

(54) **OPERATION DEVICE FOR CRANE**

(71) Applicant: **TADANO LTD.**, Takamatsu (JP)

(72) Inventors: **Nanami Ikeuchi**, Takamatsu (JP);
Kazue Inoshita, Takamatsu (JP);
Makoto Tsuji, Takamatsu (JP);
Kazunori Koishi, Tokyo (JP); **Mami Nagata**, Takamatsu (JP)

(73) Assignee: **TADANO LTD.**, Takamatsu (JP)

(**) Term: **15 Years**

(21) Appl. No.: **29/661,112**

(22) Filed: **Aug. 24, 2018**

(30) **Foreign Application Priority Data**

Feb. 28, 2018 (JP) 2018-004208

Feb. 28, 2018 (JP) 2018-004216

(Continued)

(51) **LOC (13) Cl.** **12-05**

(52) **U.S. Cl.**

USPC **D34/35**; D15/28; D13/164

(58) **Field of Classification Search**

USPC D14/400–418, 426–431, 454–455, 203.3,

D14/218, 300, 356, 358, 383, 388, 399,

(Continued)

(56) **References Cited**

U.S. PATENT DOCUMENTS

D277,795 S * 2/1985 Griffiths D34/35

D283,718 S * 5/1986 Kondo D21/566

(Continued)

FOREIGN PATENT DOCUMENTS

JP D1367861 S 8/2009

JP D1480593 S 9/2013

JP 2017-071481 A 4/2017

OTHER PUBLICATIONS

Commercial Motor, “New Products: Furukawa Unic—Unic Crane G-Force,” Monthly Commercial Motor, Dec. 1, 2016, p. 30, Com-

mercial Motor December Issue No. 13, vol. 47, C-M Publishing Co., Ltd. (Japan Patent Office Design Division Public Document No. HA29001619).

Primary Examiner — Jeffrey D Asch

Assistant Examiner — Rebekah A Caruso

(74) *Attorney, Agent, or Firm* — Manabu Kanesaka

(57) **CLAIM**

The ornamental design for an operation device for crane, as shown and described.

DESCRIPTION

FIG. 1 is a first perspective view of an operation device for crane showing a first embodiment of our new design;

FIG. 2 is a second perspective view thereof;

FIG. 3 is a front view thereof;

FIG. 4 is a rear view thereof;

FIG. 5 is a right side view thereof;

FIG. 6 is a left side view thereof;

FIG. 7 is a top view thereof;

FIG. 8 is a bottom view thereof;

FIG. 9 is a first perspective view of an operation device for crane showing a second embodiment of our new design;

FIG. 10 is a second perspective view thereof;

FIG. 11 is a front view thereof;

FIG. 12 is a rear view thereof;

FIG. 13 is a right side view thereof;

FIG. 14 is a left side view thereof;

FIG. 15 is a top view thereof;

FIG. 16 is a bottom view thereof;

FIG. 17 is a first perspective view of an operation device for crane showing a third embodiment of our new design;

FIG. 18 is a second perspective view thereof;

FIG. 19 is a front view thereof;

FIG. 20 is a rear view thereof;

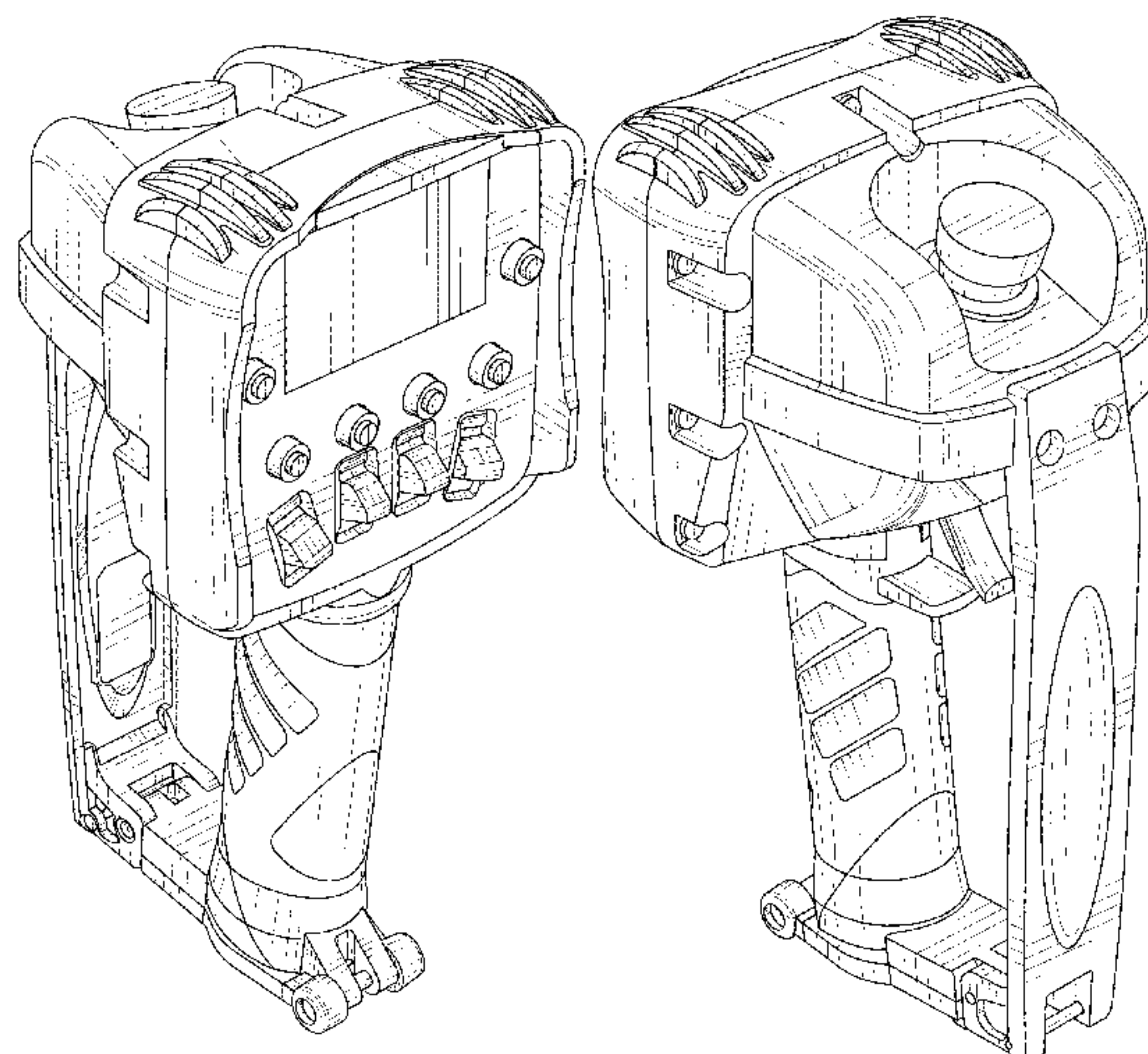
FIG. 21 is a right side view thereof;

FIG. 22 is a left side view thereof;

FIG. 23 is a top view thereof; and,

FIG. 24 is a bottom view thereof.

1 Claim, 21 Drawing Sheets



(30) Foreign Application Priority Data

Feb. 28, 2018 (JP) 2018-004217
 Feb. 28, 2018 (JP) 2018-004219

(58) Field of Classification Search

USPC D14/432; D21/324, 328, 331, 333, 566;
 D13/162-164, 168-172; D15/19, 28, 30;
 D34/28, 33, 35; D12/174, 192; D10/78,
 D10/104.1, 121
 CPC .. A63F 9/02; A63F 9/24; A63F 9/0291; A63F
 9/0252; A63F 13/00; A63F 13/23; A63F
 13/24; A63F 13/26; A63F 13/98; A63F
 13/02; A63F 13/12; B60K 37/00; B60K
 37/06; B60K 26/00; B66C 13/40; B66C
 13/44; B66C 13/16; B66C 13/18; B66C
 13/42

See application file for complete search history.

(56) References Cited

U.S. PATENT DOCUMENTS

D361,288 S * 8/1995 Chandwick D10/78
 D363,092 S * 10/1995 Hung D14/412

D374,535 S * 10/1996 Feider D13/168
 D394,855 S * 6/1998 Ahearn D14/429
 D399,774 S * 10/1998 Noble D10/78
 D444,091 S * 6/2001 Furmidge D10/78
 D544,485 S * 6/2007 Chen D14/428
 D558,624 S * 1/2008 Perez D10/104.1
 D594,361 S * 6/2009 Miller D10/104.1
 D659,343 S * 5/2012 Saitou D34/35
 D659,939 S * 5/2012 Saitou D34/35
 D668,567 S * 10/2012 Dunkin D10/78
 D680,011 S * 4/2013 Chen D10/97
 D727,179 S * 4/2015 Stancato D10/46
 D727,756 S * 4/2015 Stancato D10/46
 D763,261 S * 8/2016 Choi D14/426
 10,414,635 B2 * 9/2019 Hayashi B66C 23/70
 10,532,916 B2 * 1/2020 Hayashi B66C 13/44
 D886,652 S * 6/2020 Morris D10/78
 2002/0144970 A1 * 10/2002 Seith B66C 1/447
 212/285
 2016/0075538 A1 * 3/2016 Johansson B66C 13/18
 74/491
 2018/0148303 A1 5/2018 Hayashi
 2018/0282131 A1 * 10/2018 Hayashi B66C 23/70

* cited by examiner

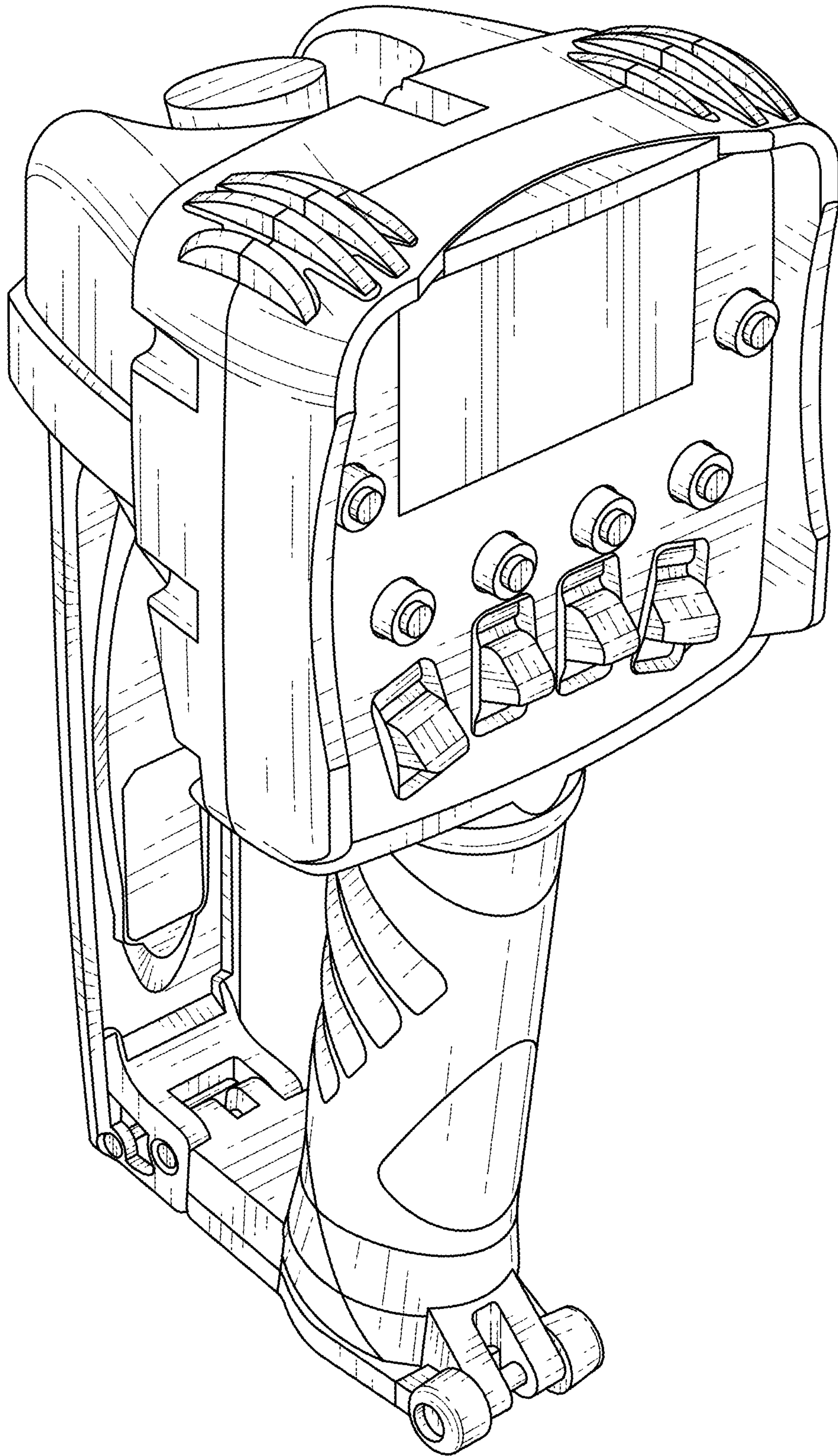


FIG. 1

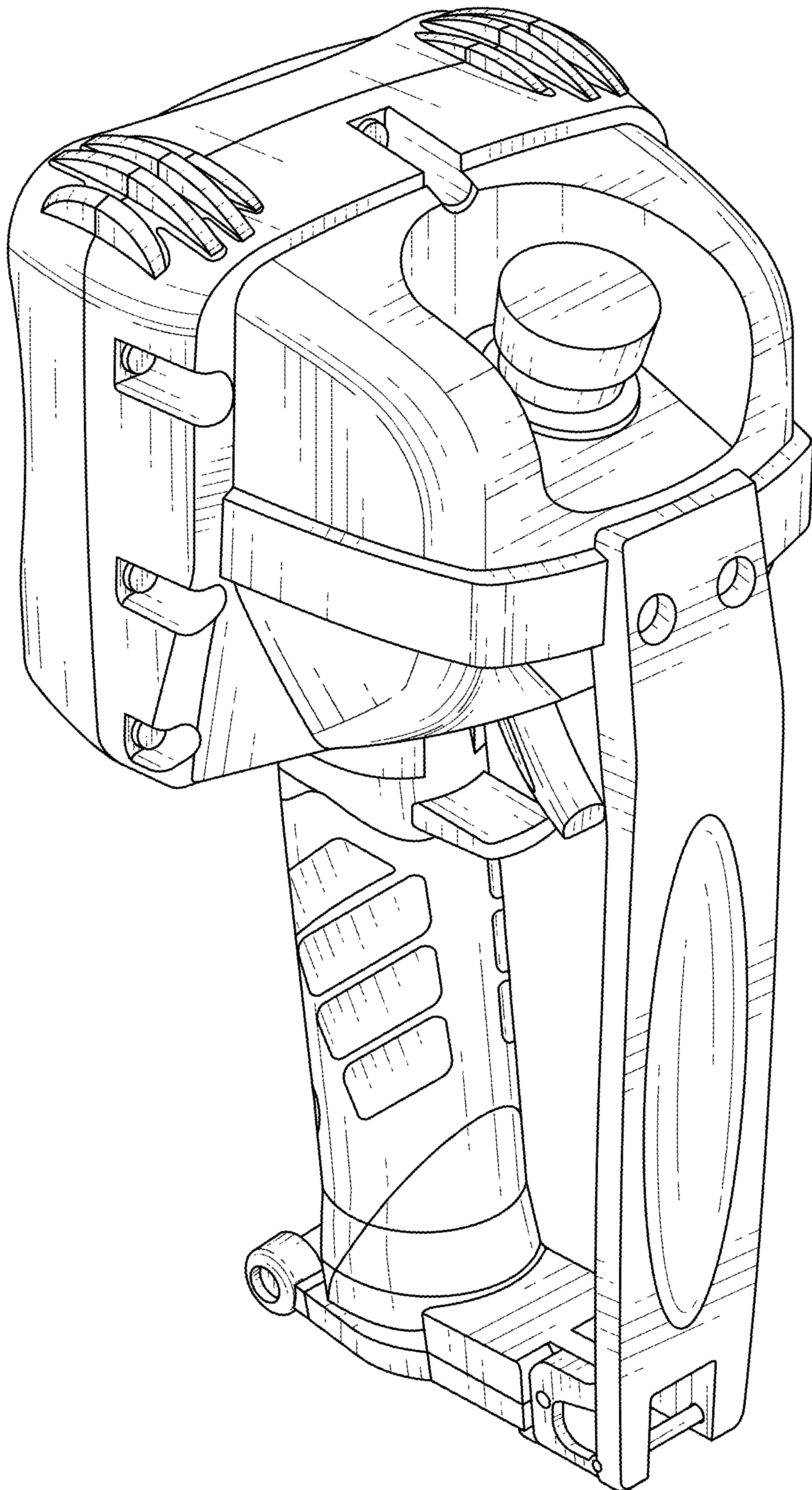


FIG. 2

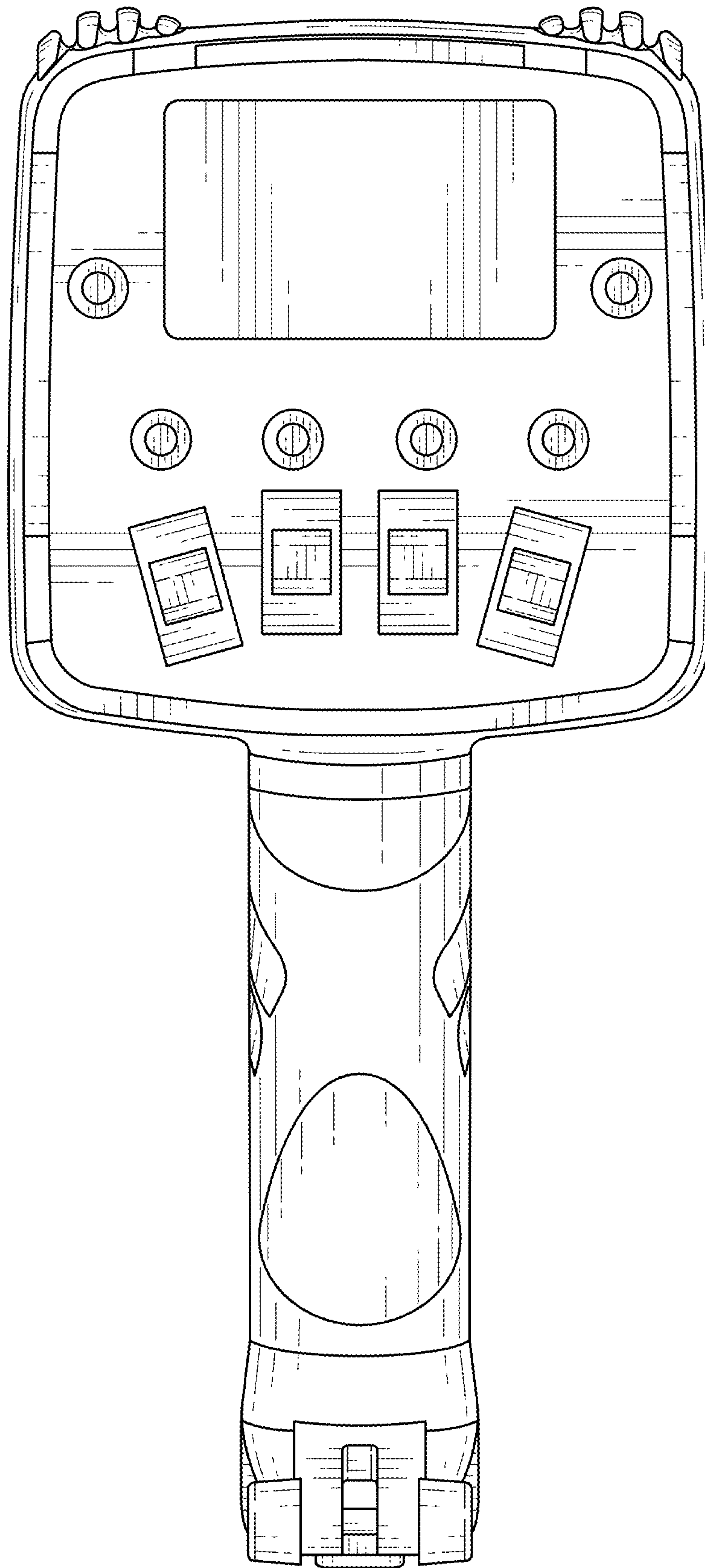


FIG. 3

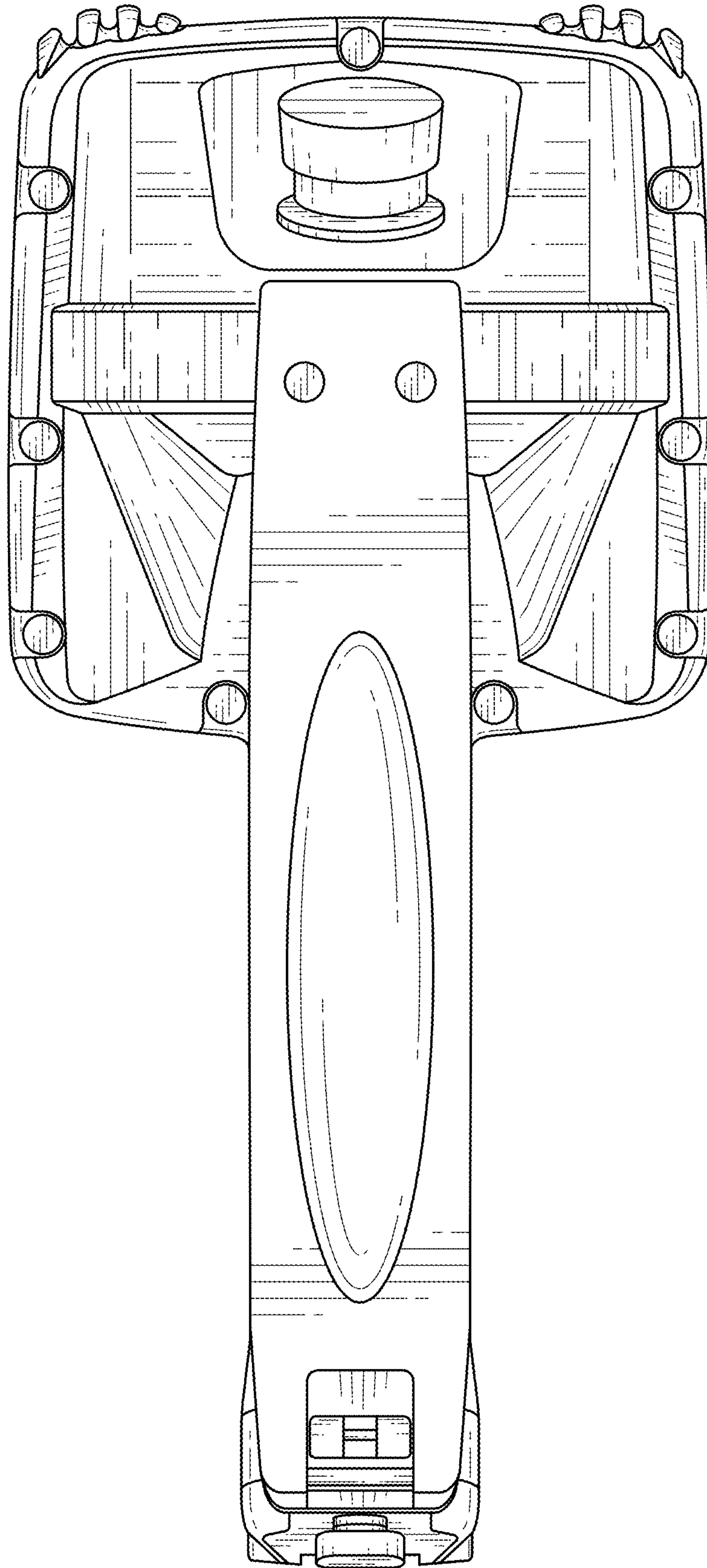


FIG. 4

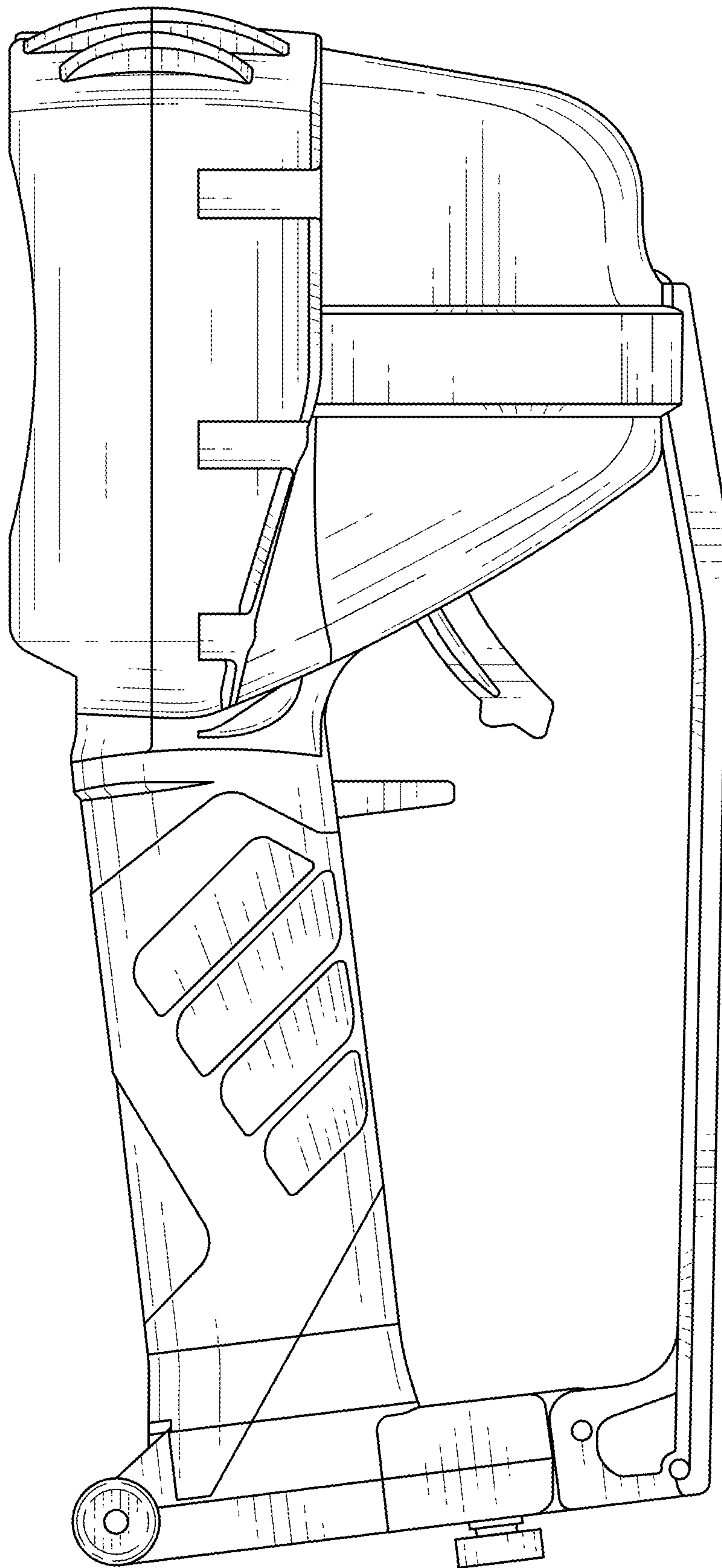


FIG. 5

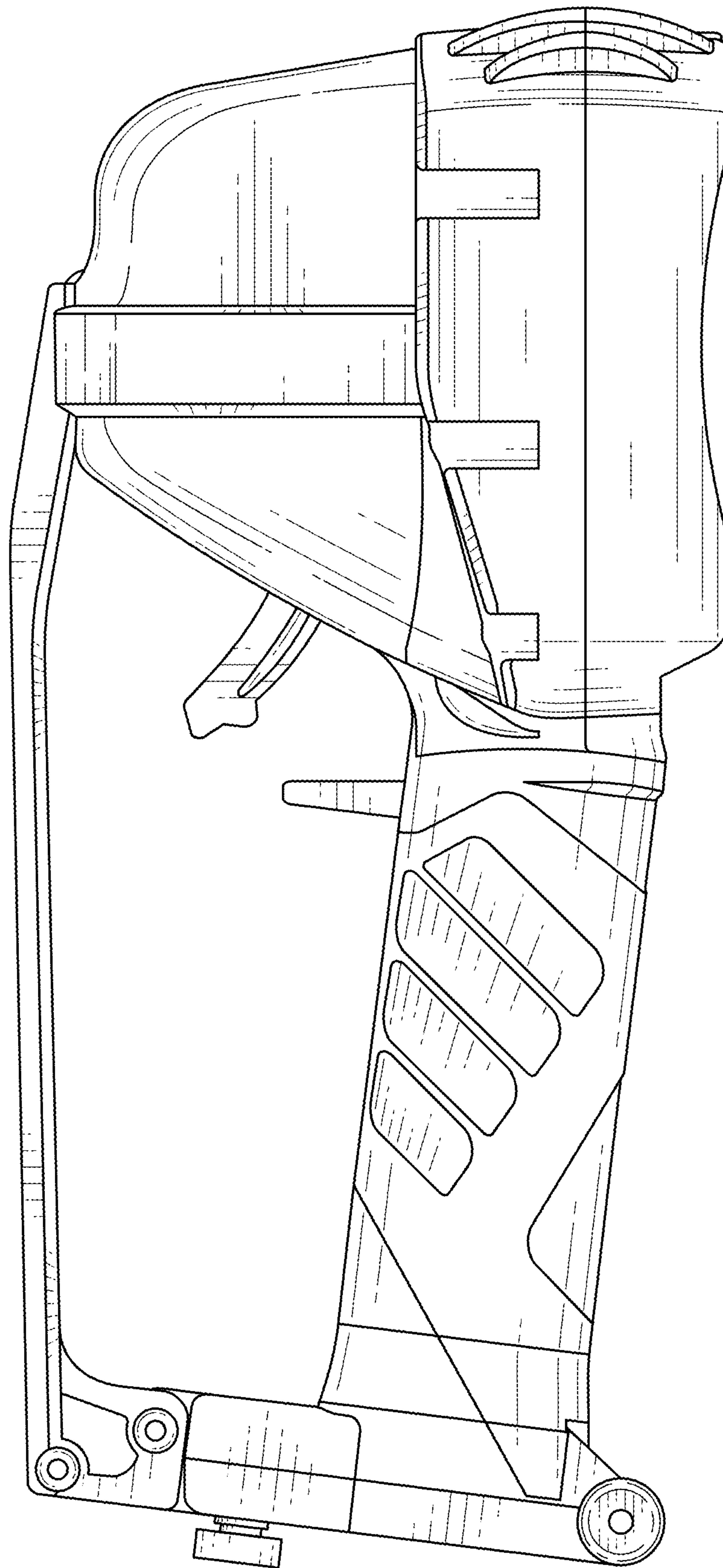


FIG. 6

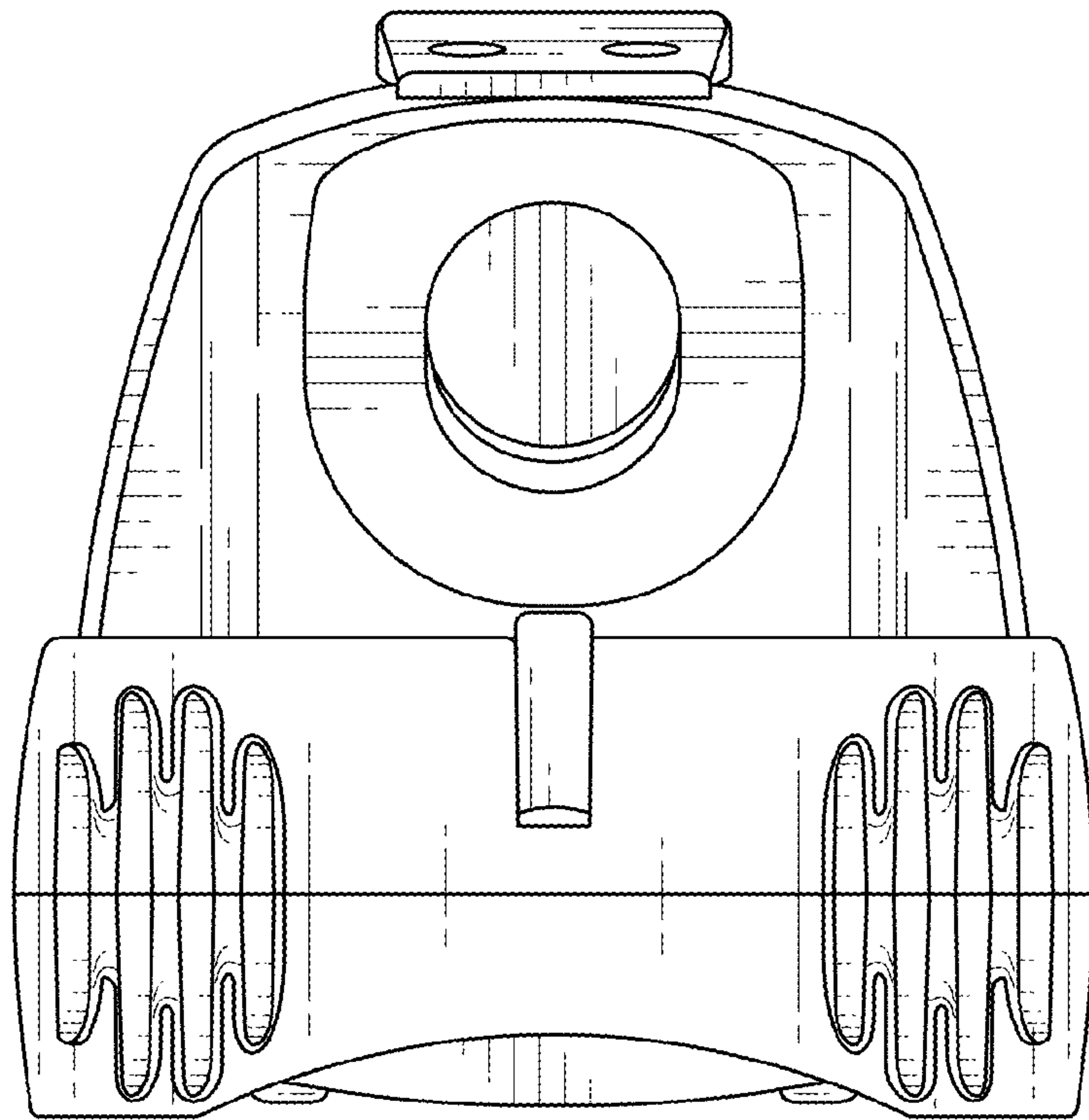


FIG. 7

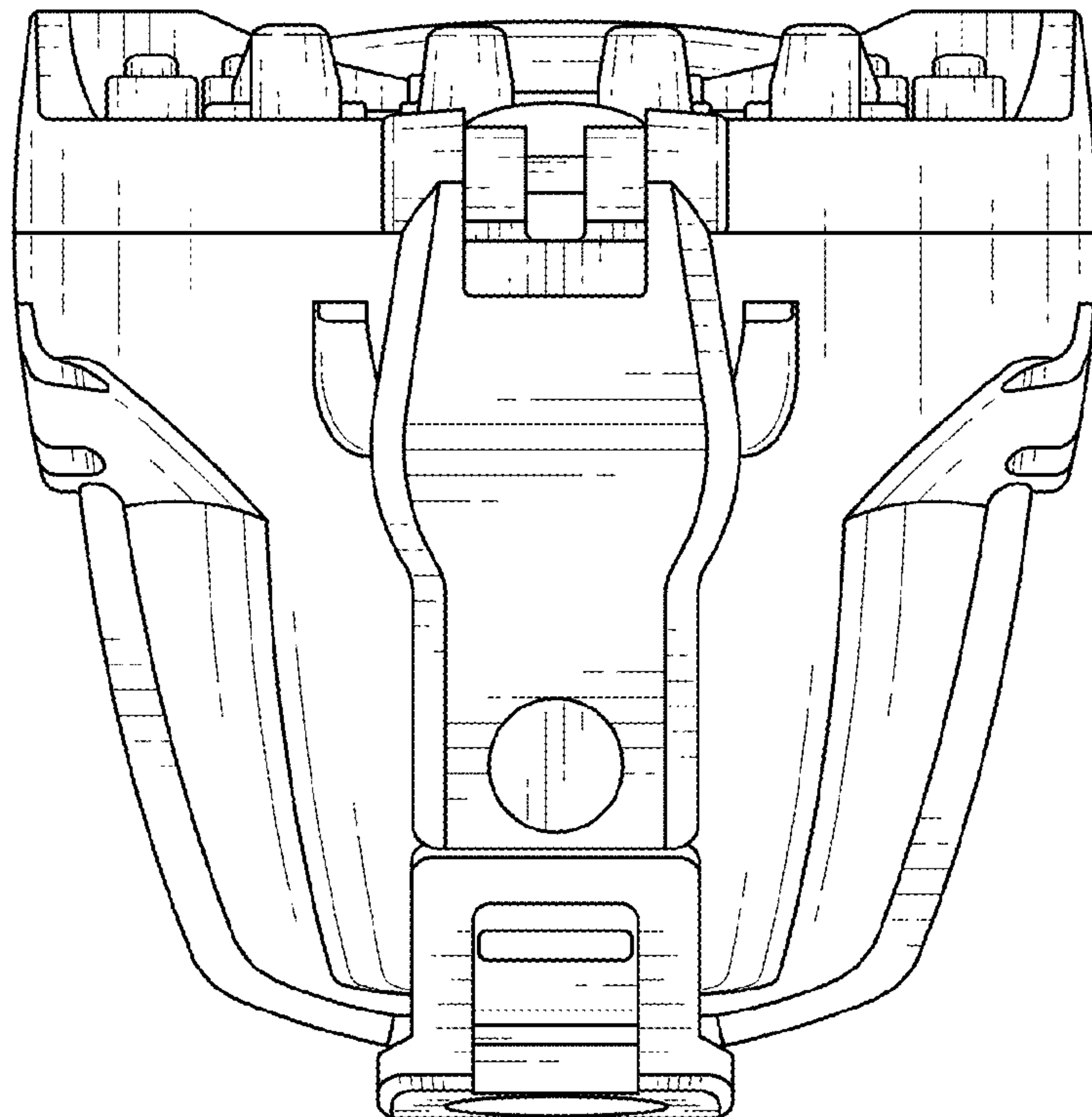


FIG. 8

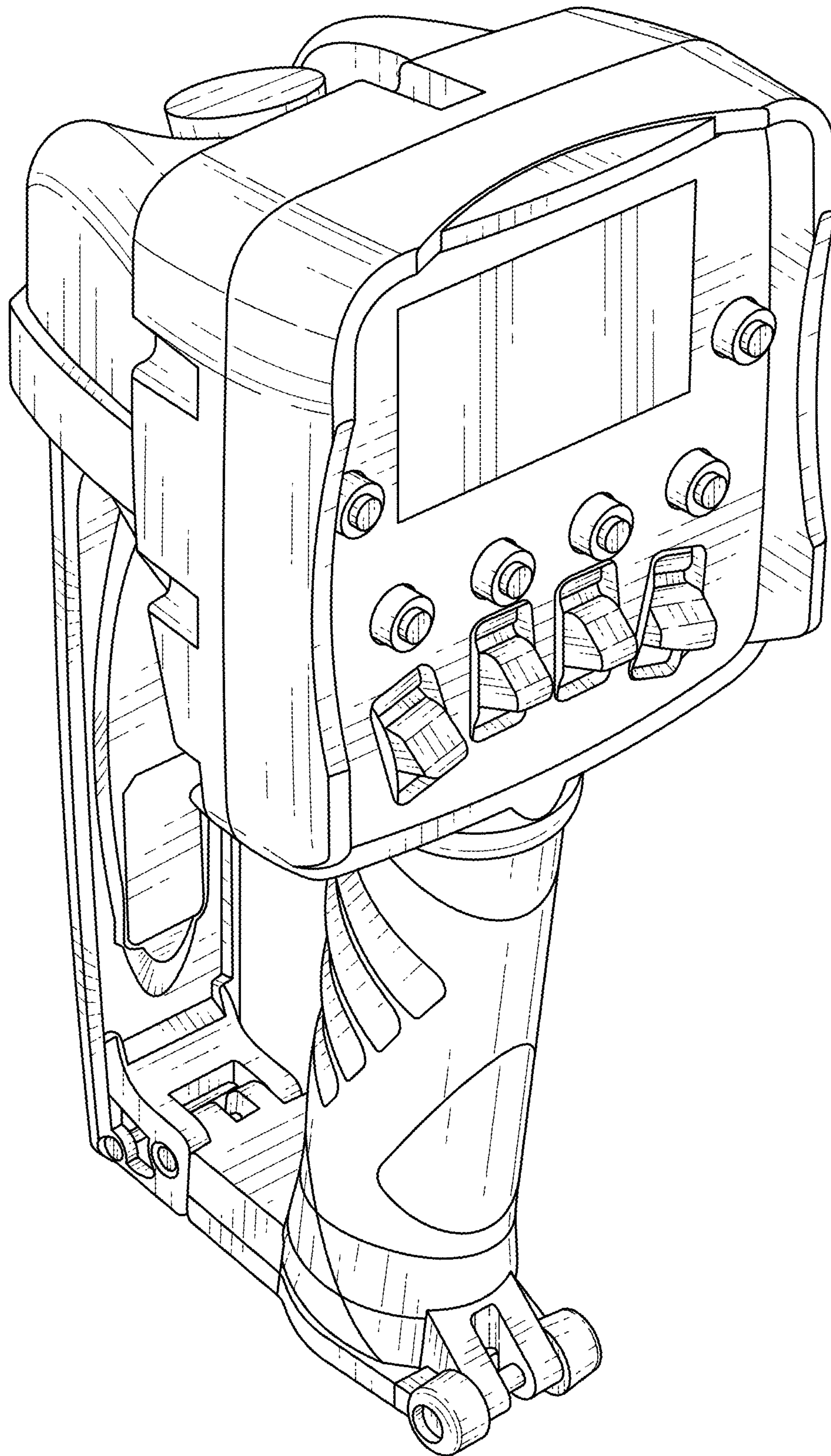


FIG. 9

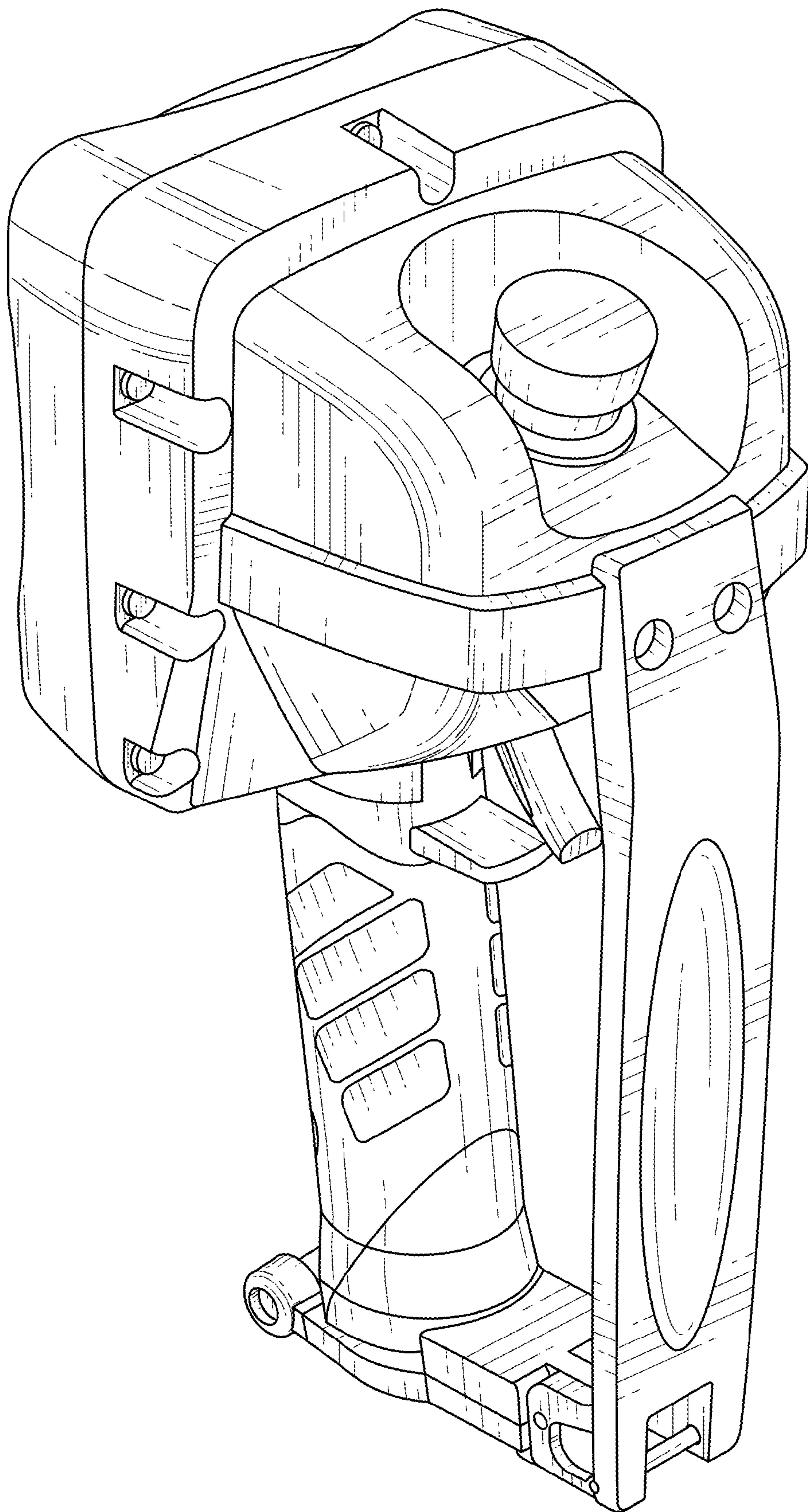


FIG. 10

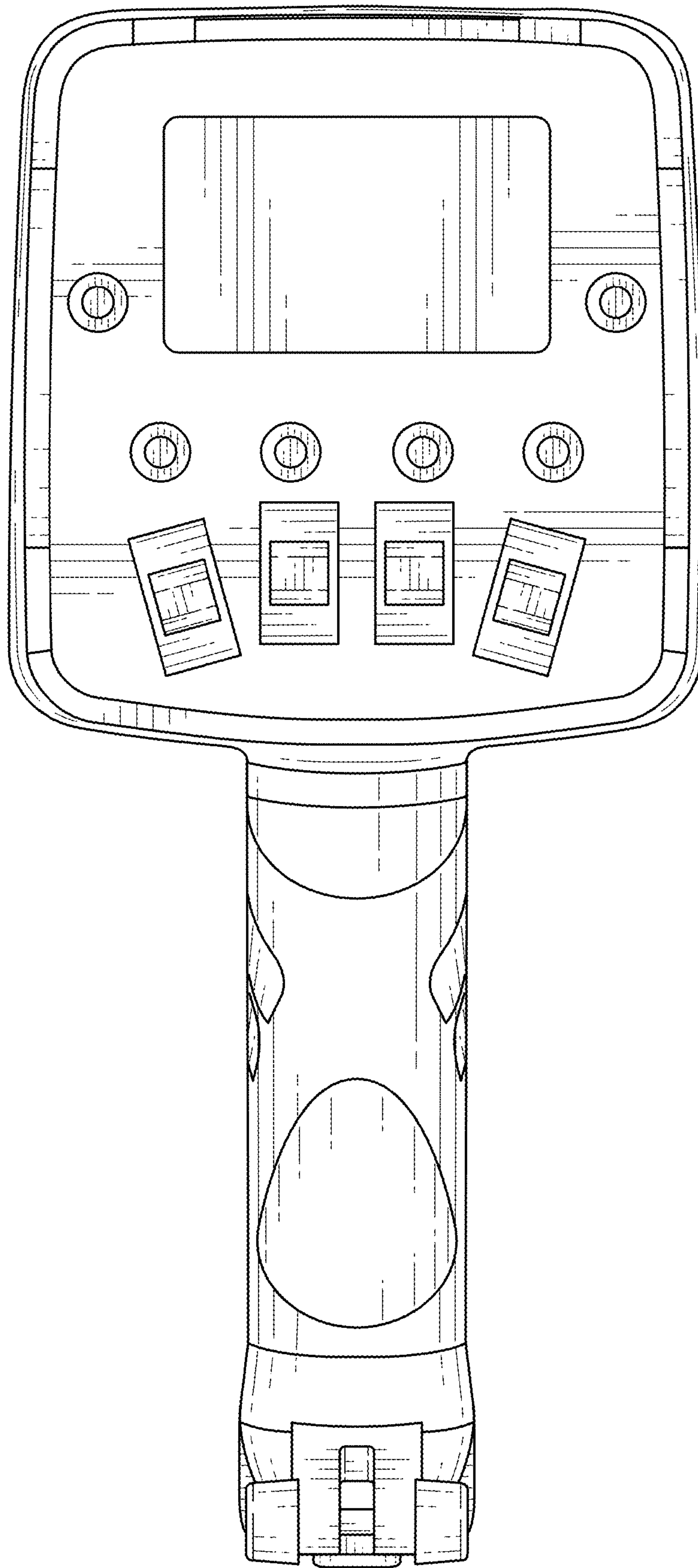


FIG. 11

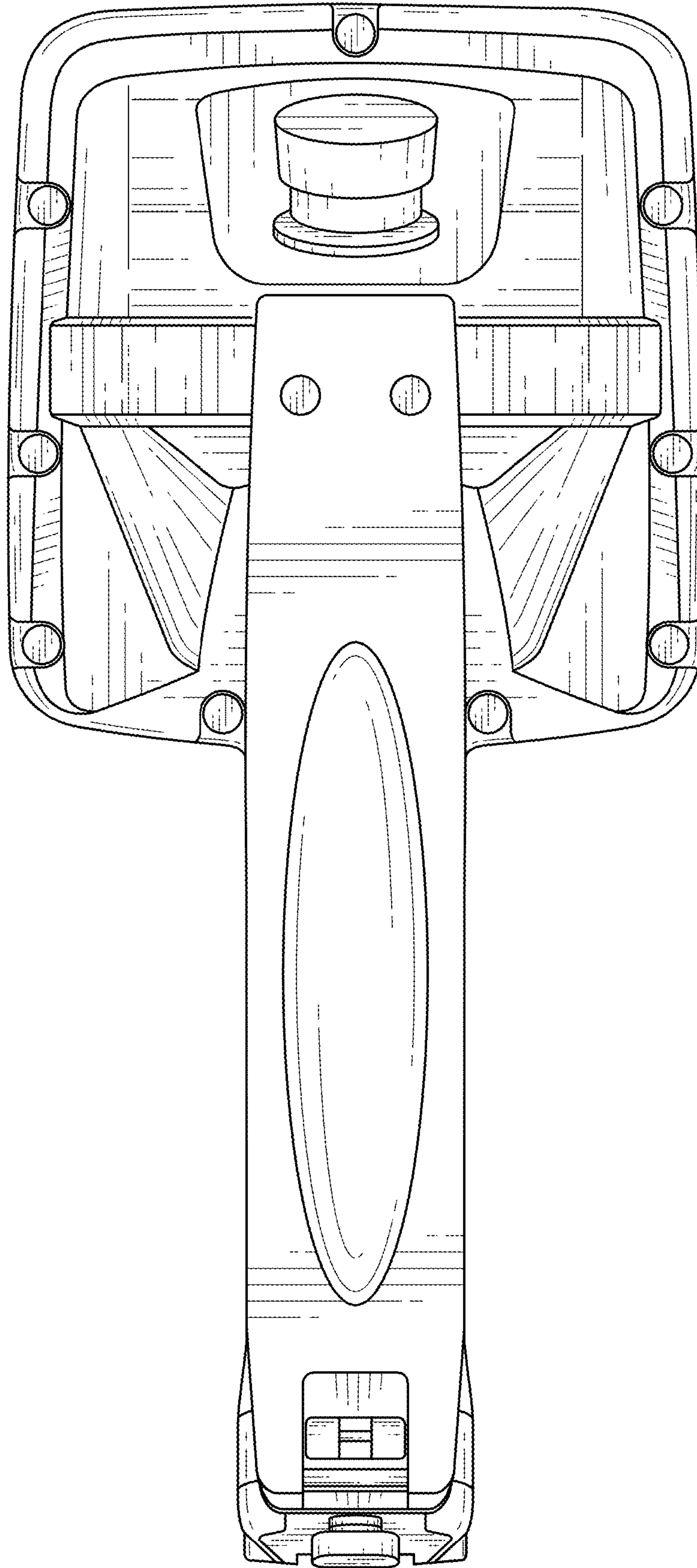


FIG. 12

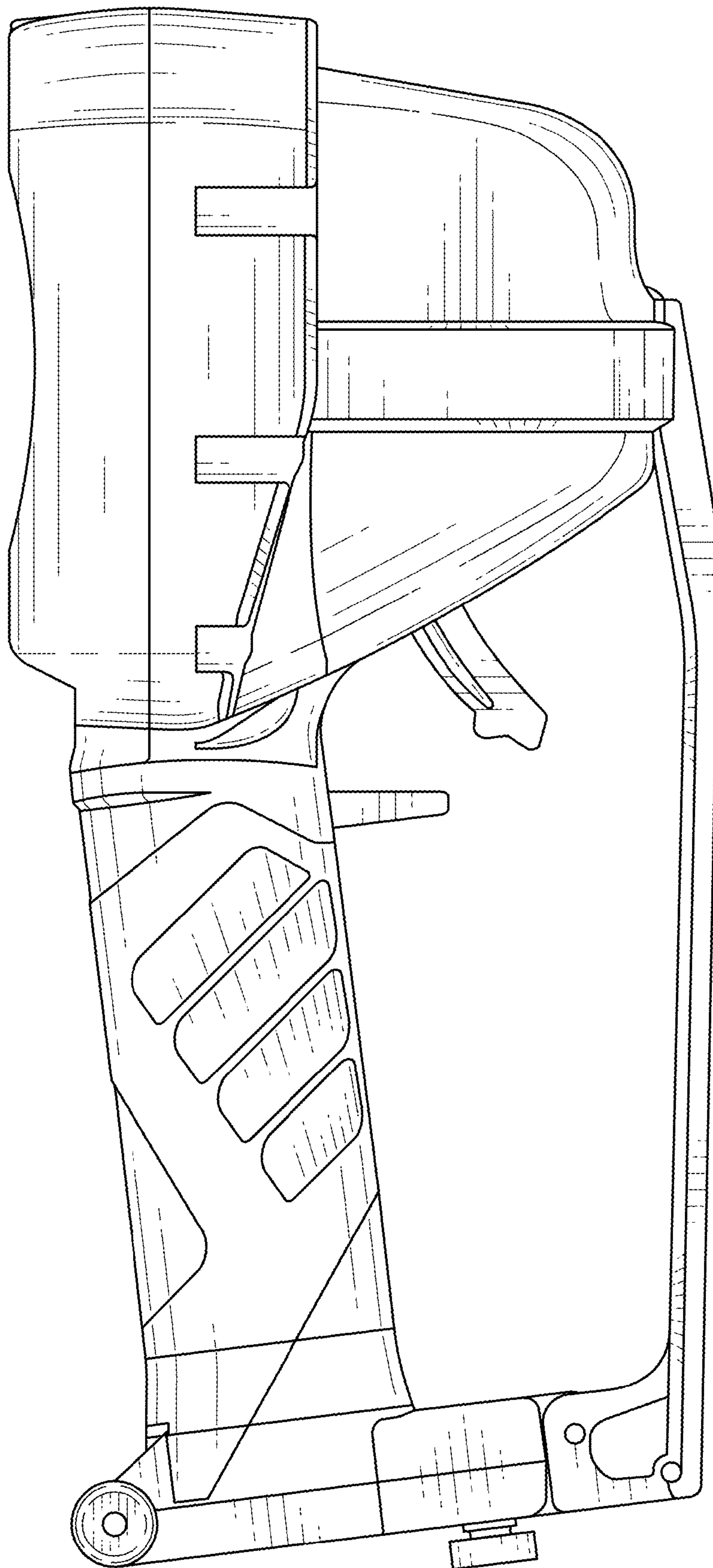


FIG. 13

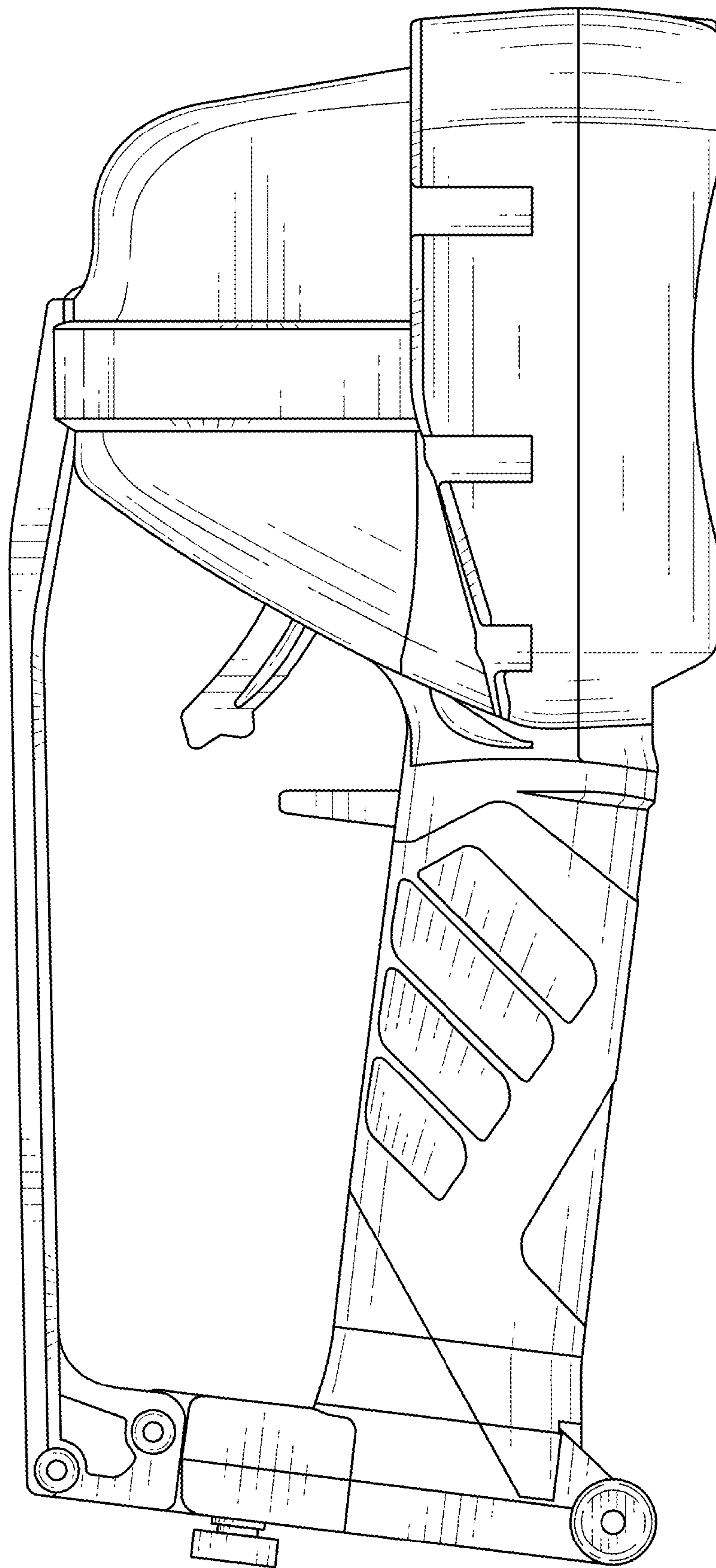


FIG. 14

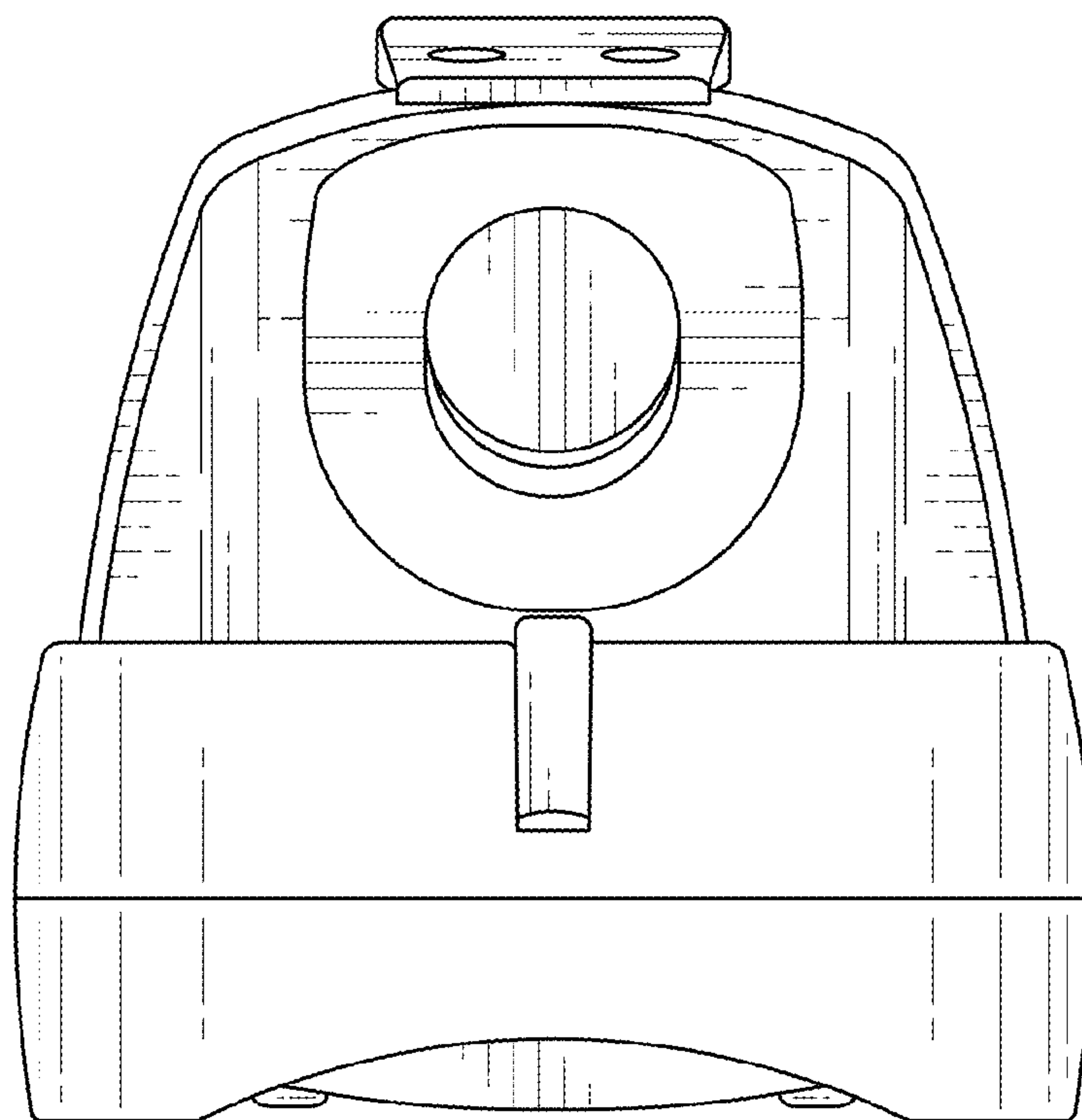


FIG. 15

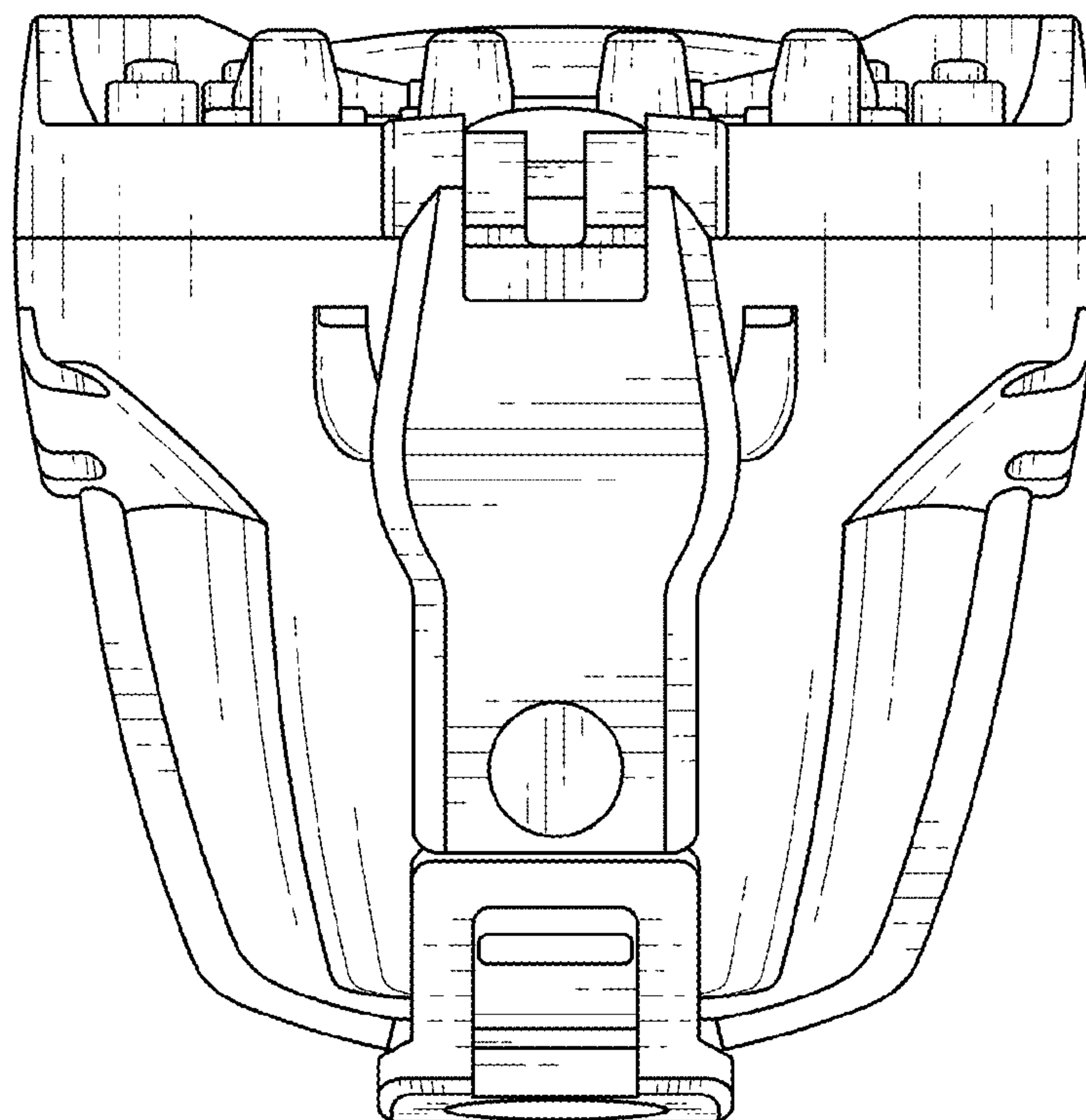


FIG. 16

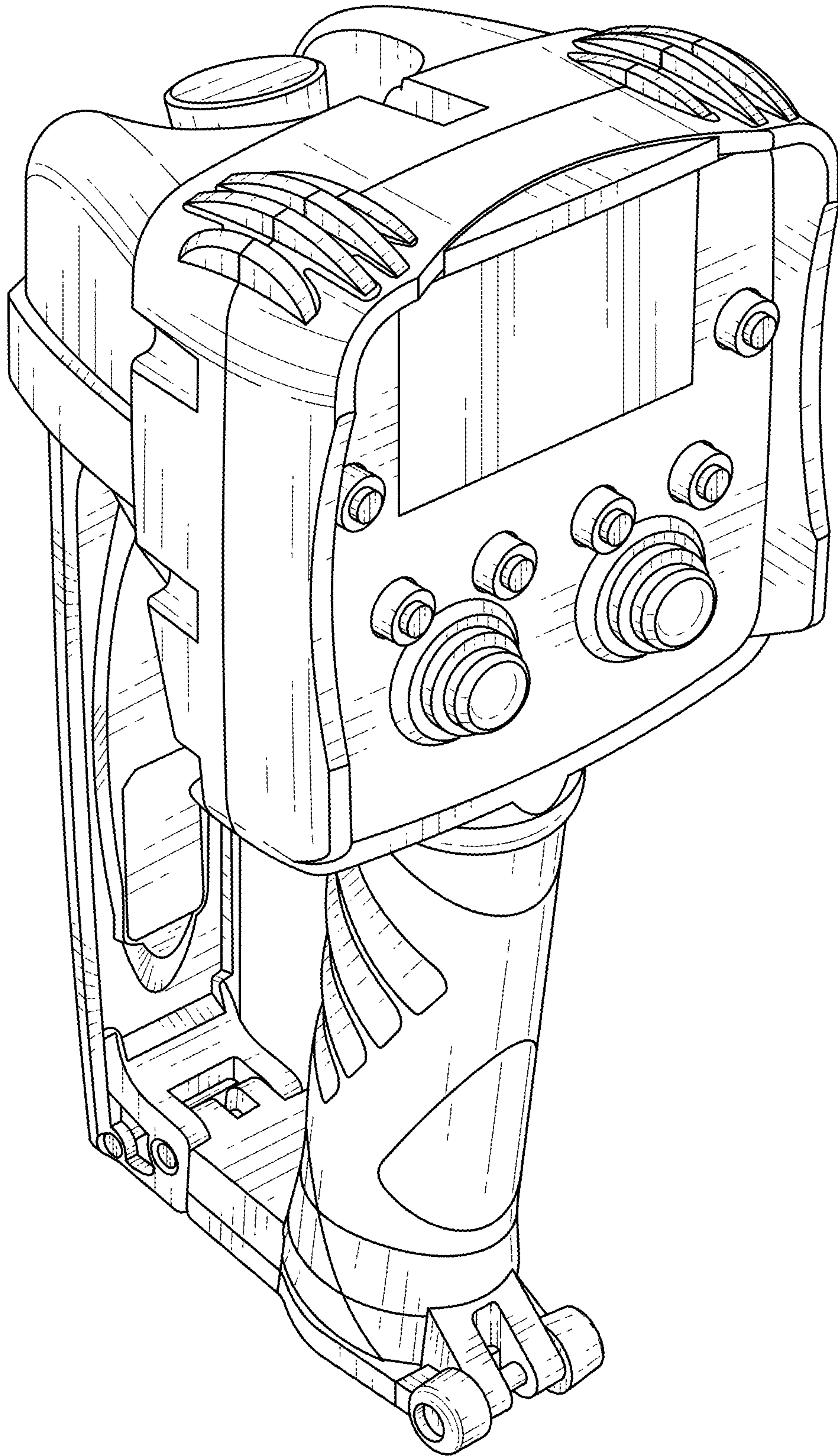


FIG. 17

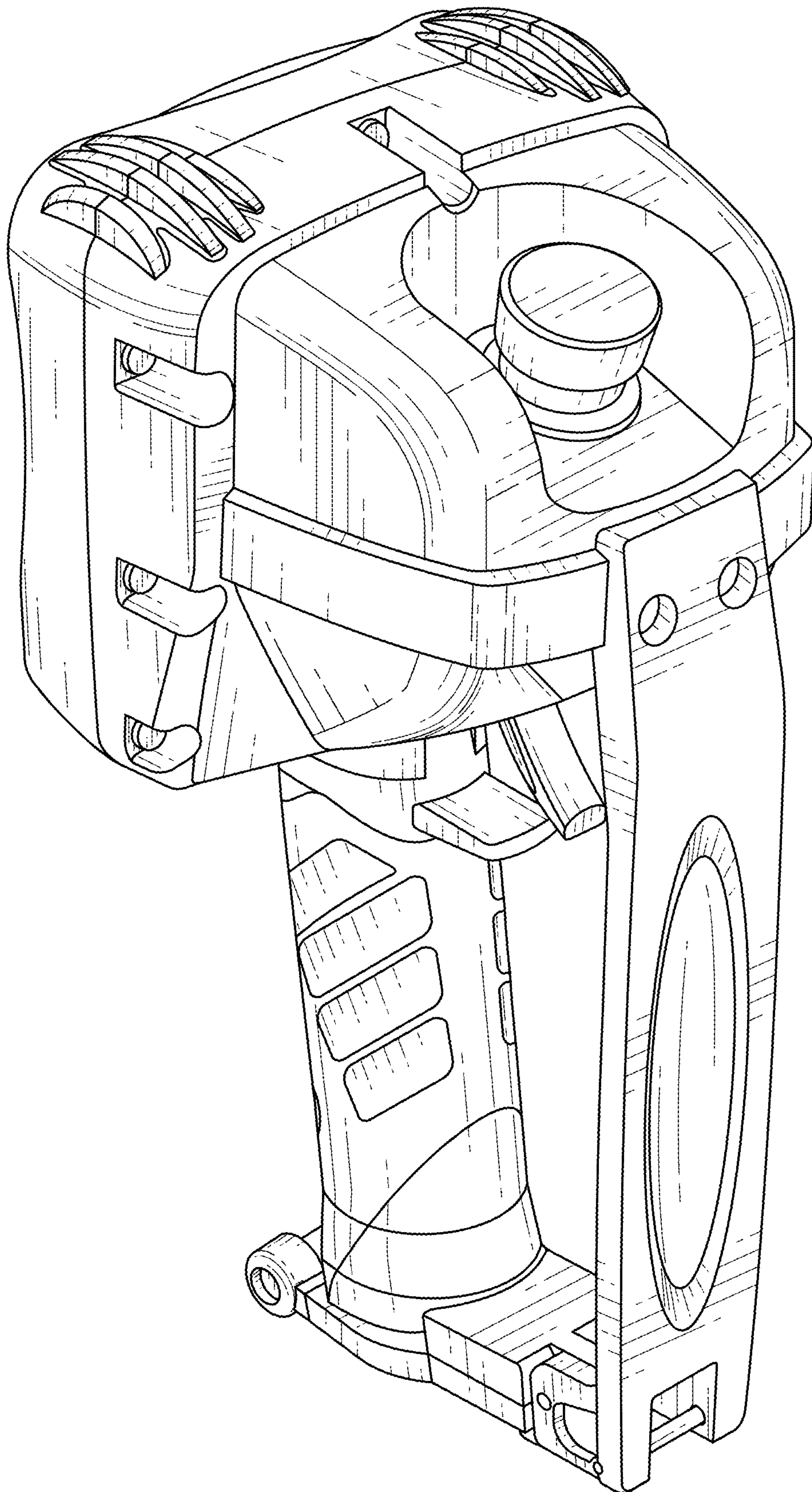


FIG. 18

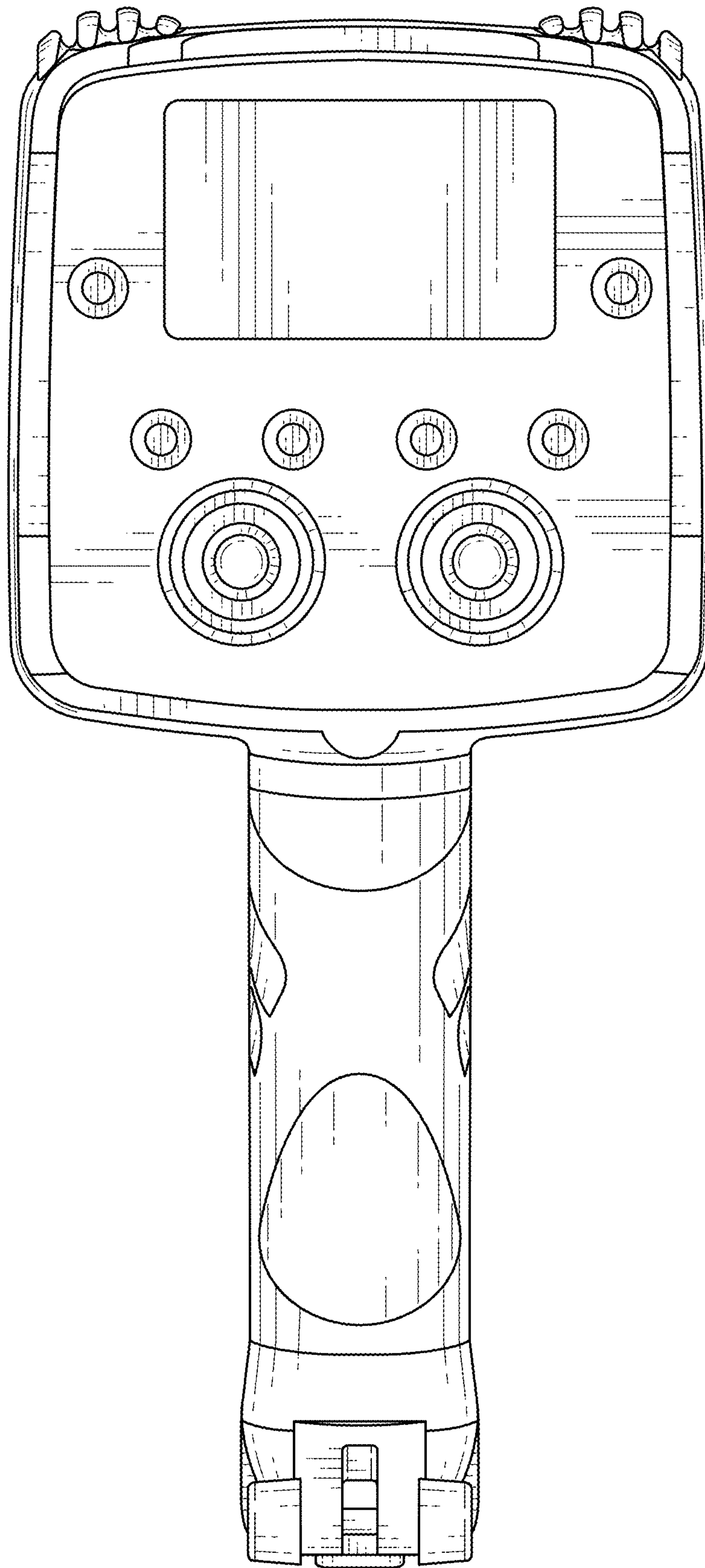


FIG. 19

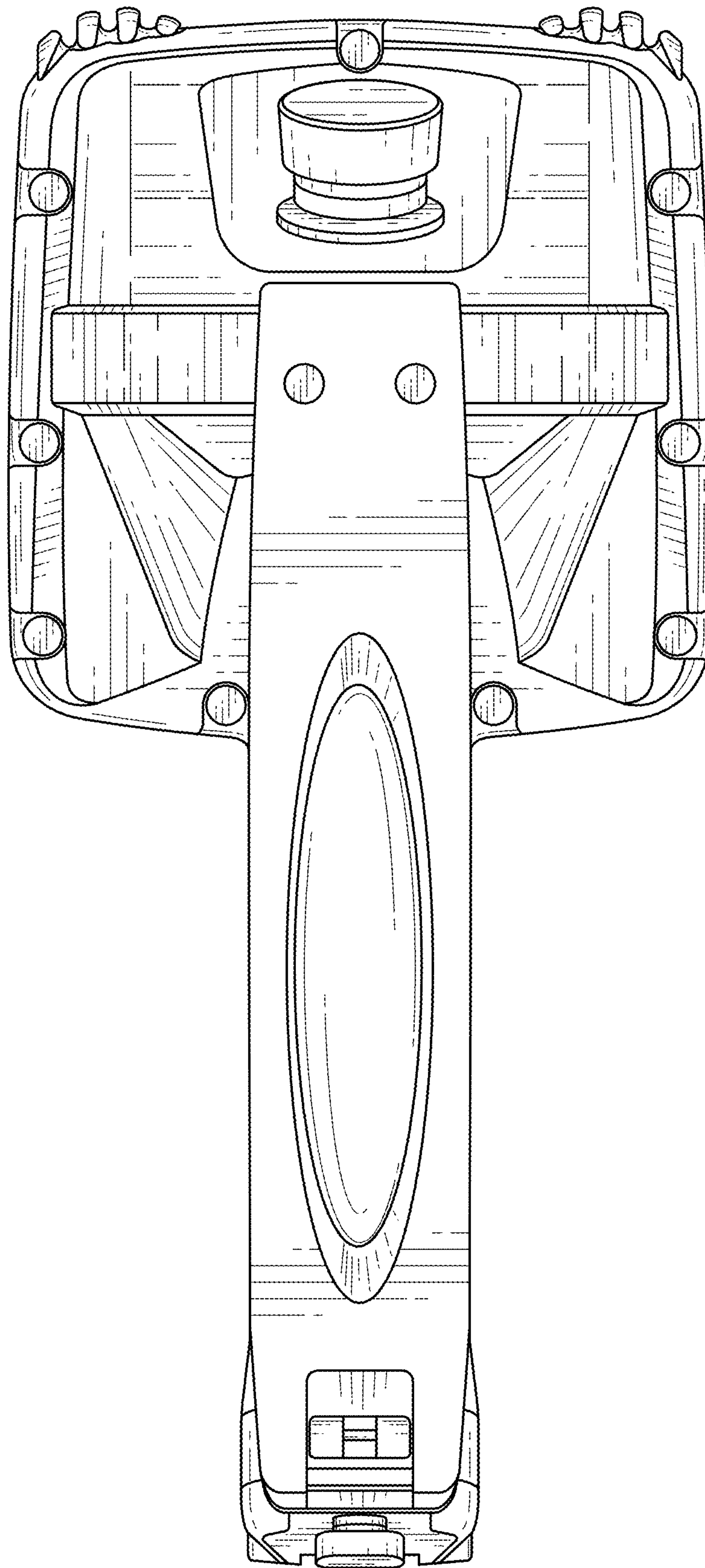


FIG. 20

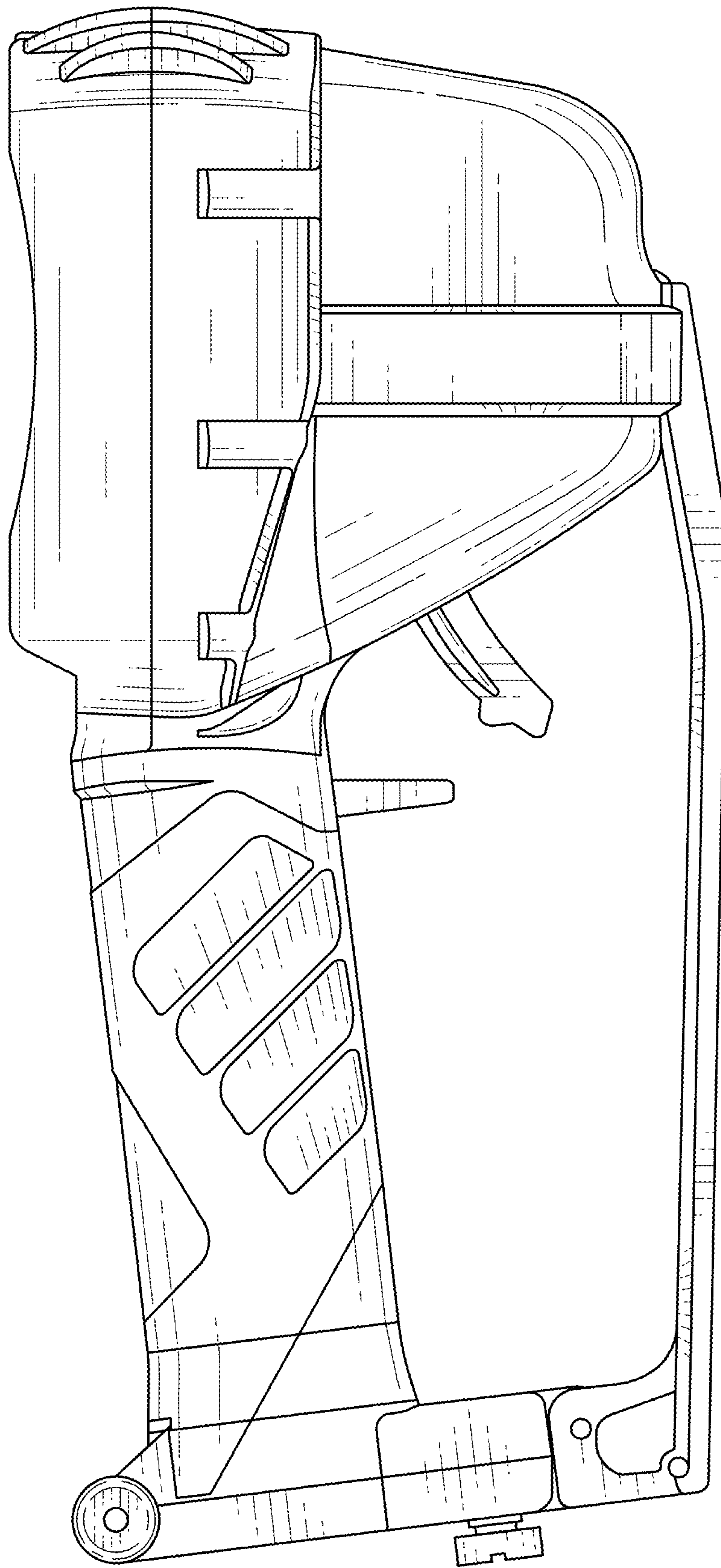


FIG. 21

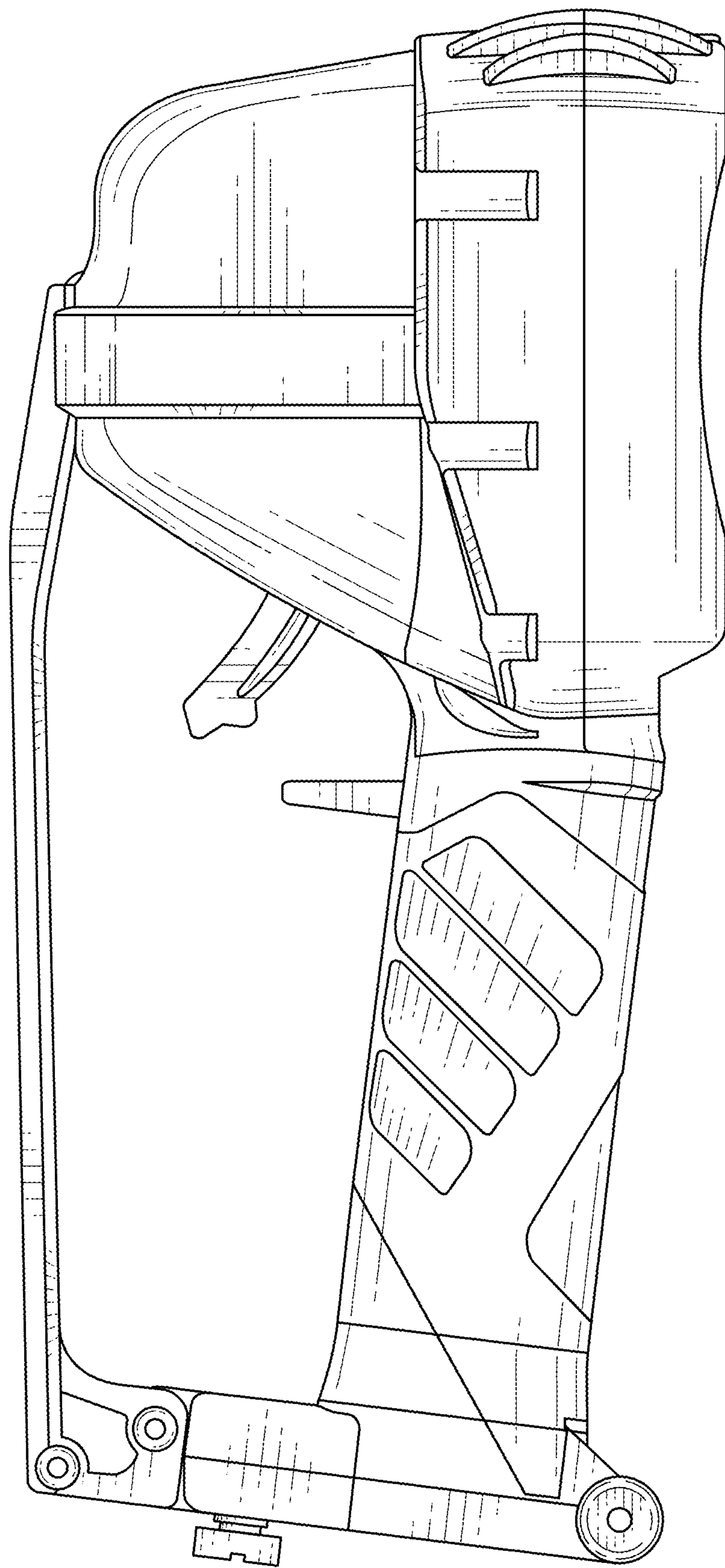


FIG. 22

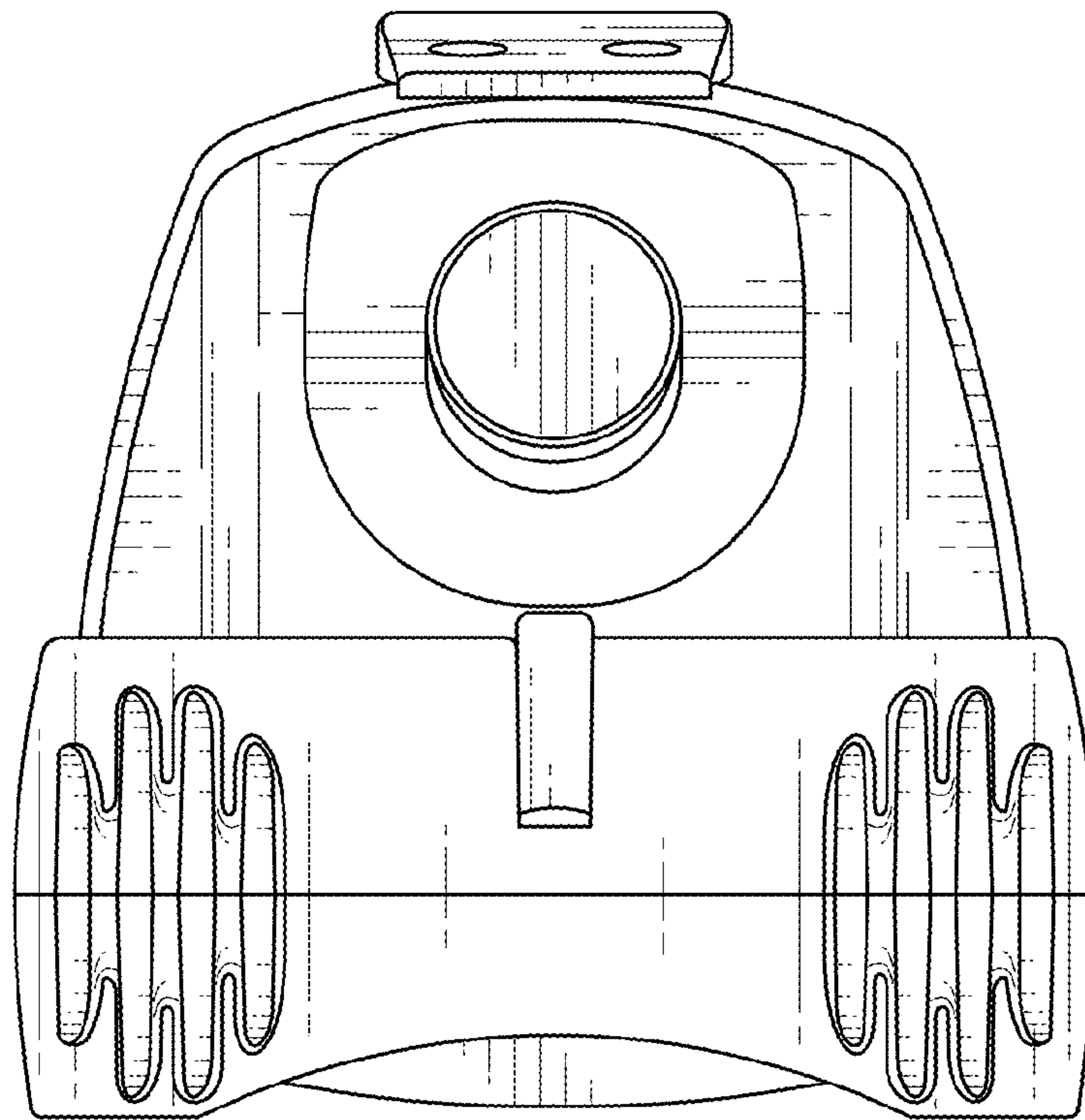


FIG. 23

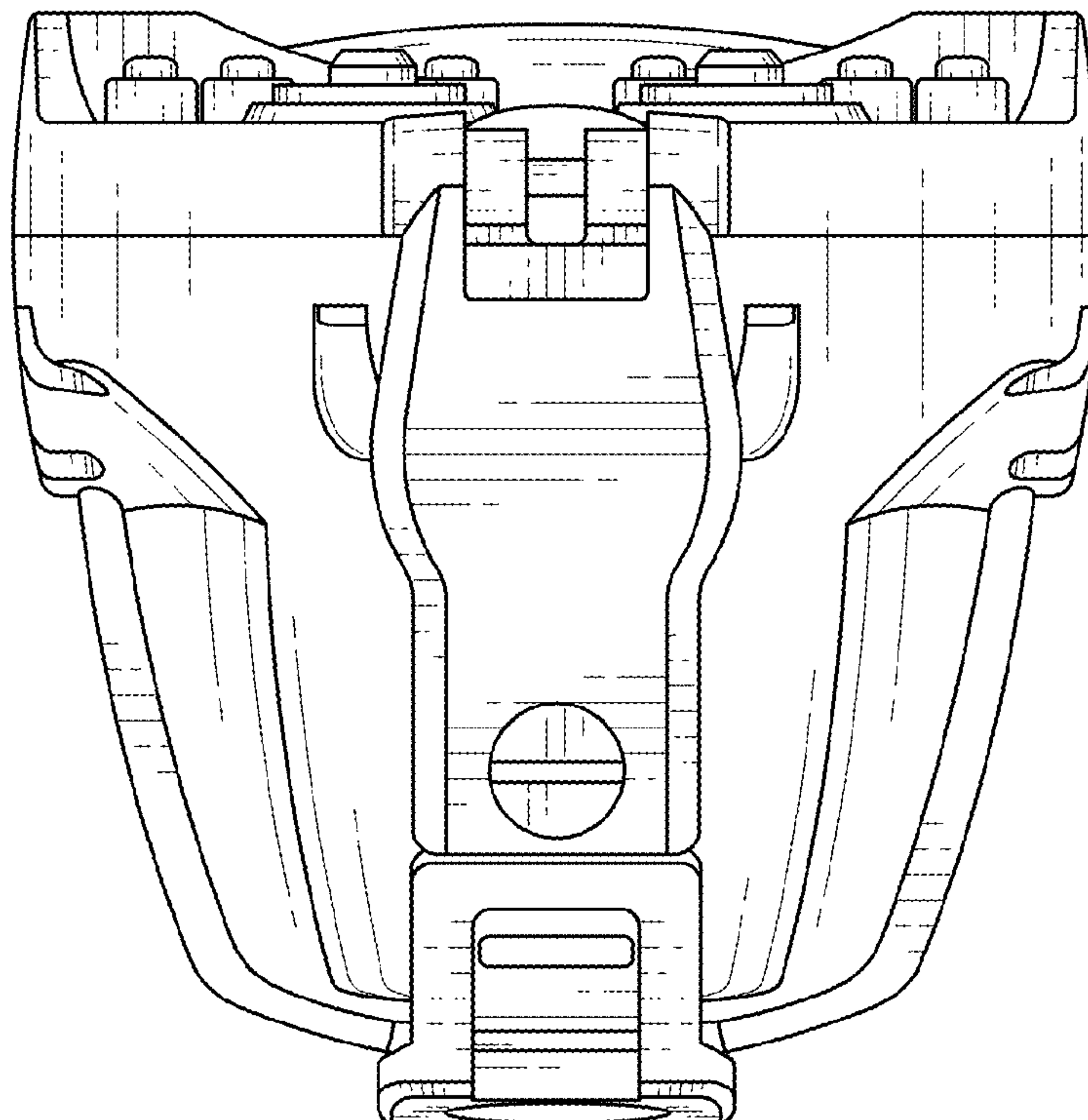


FIG. 24