



US00D916417S

(12) **United States Design Patent**
Zhao

(10) **Patent No.:** **US D916,417 S**

(45) **Date of Patent:** **** Apr. 13, 2021**

(54) **ELECTRIC HYDRAULIC JACK**

(71) Applicant: **Wei Zhao**, Hangzhou (CN)

(72) Inventor: **Wei Zhao**, Hangzhou (CN)

(**) Term: **15 Years**

(21) Appl. No.: **29/716,938**

(22) Filed: **Dec. 13, 2019**

(51) **LOC (13) Cl.** **12-05**

(52) **U.S. Cl.**
USPC **D34/31**

(58) **Field of Classification Search**
USPC D34/28-37; D32/17-18
CPC B66F 3/24; B66F 3/42; B66F 3/00; B66F
5/00

See application file for complete search history.

(56) **References Cited**

U.S. PATENT DOCUMENTS

D552,309 S *	10/2007	Houghton	D32/18
D827,231 S *	8/2018	Ward	D32/18
D873,522 S *	1/2020	Jin	D34/31
D874,757 S *	2/2020	Chei	D32/18
2016/0113455 A1 *	4/2016	Horvath	A47L 9/165 15/344

OTHER PUBLICATIONS

Alibaba Car Jack, announced Apr. 2020 [online], [site visited Jan. 12, 2021]. Available from internet, URL: <https://www.alibaba.com/>

product-detail/High-Quality-Portable-5T-DC12V-155_62377930270.html?fullFirstScreen=true&mark=google_shopping (Year: 2020).*

* cited by examiner

Primary Examiner — George A Bugg
Assistant Examiner — Tamara L Hahn
(74) *Attorney, Agent, or Firm* — ZANIP

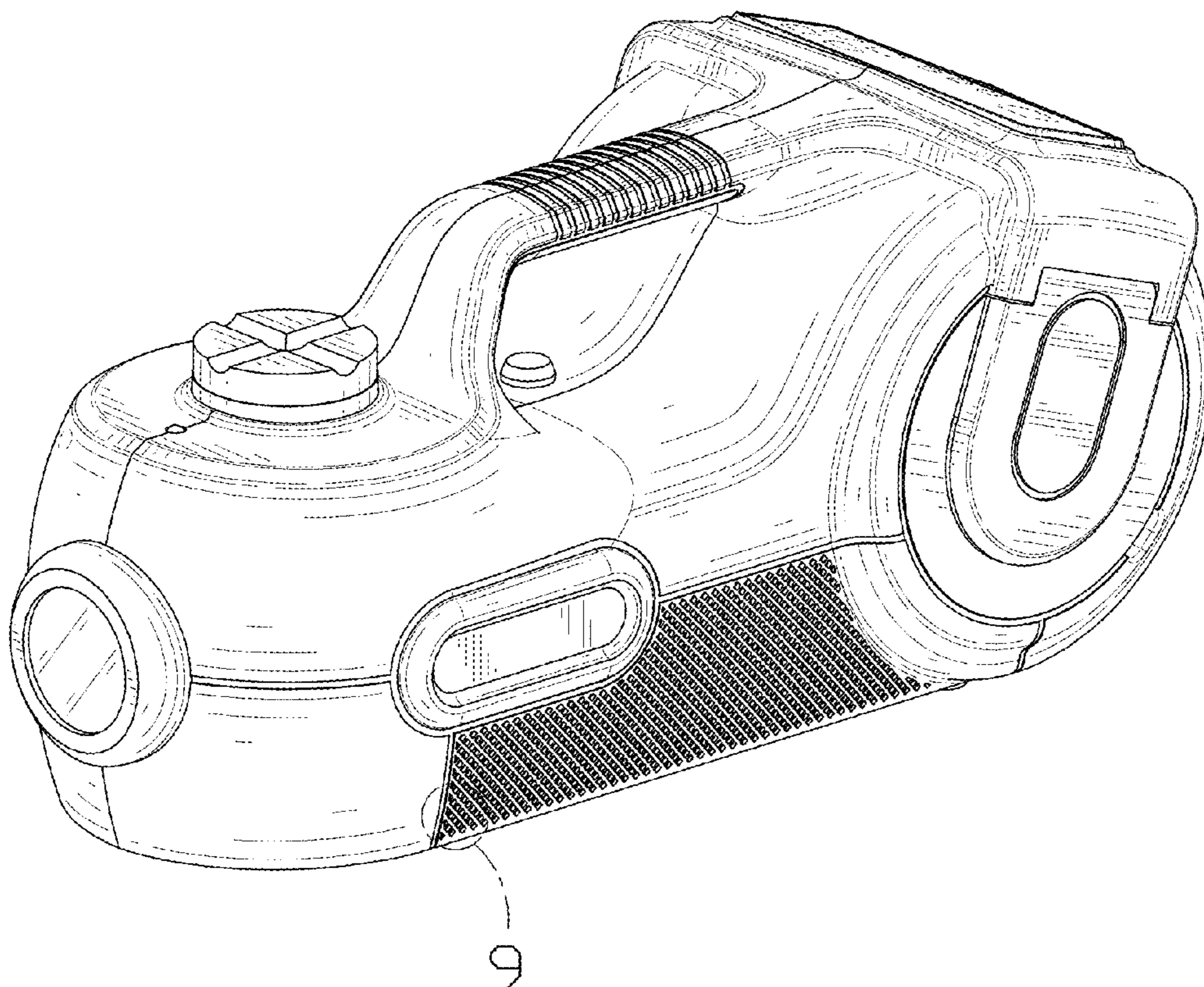
(57) **CLAIM**

The ornamental design for an electric hydraulic jack, as shown and described.

DESCRIPTION

FIG. 1 is a front and top perspective view of an electric hydraulic jack, showing my new design;
FIG. 2 is a rear and bottom perspective view thereof;
FIG. 3 is a front elevational view thereof;
FIG. 4 is a rear elevational view thereof;
FIG. 5 is a left side elevational view thereof;
FIG. 6 is a right side elevational view thereof;
FIG. 7 is a top plan view thereof;
FIG. 8 is a bottom plan view thereof; and,
FIG. 9 is an enlarged view of a portion indicated in FIG. 1. The broken lines in the figures illustrate portions of the electric hydraulic jack that form no part of the claimed design. The dot-dash lines shown in FIG. 9 are to show an enlarged area and form no part of the claimed design.

1 Claim, 9 Drawing Sheets



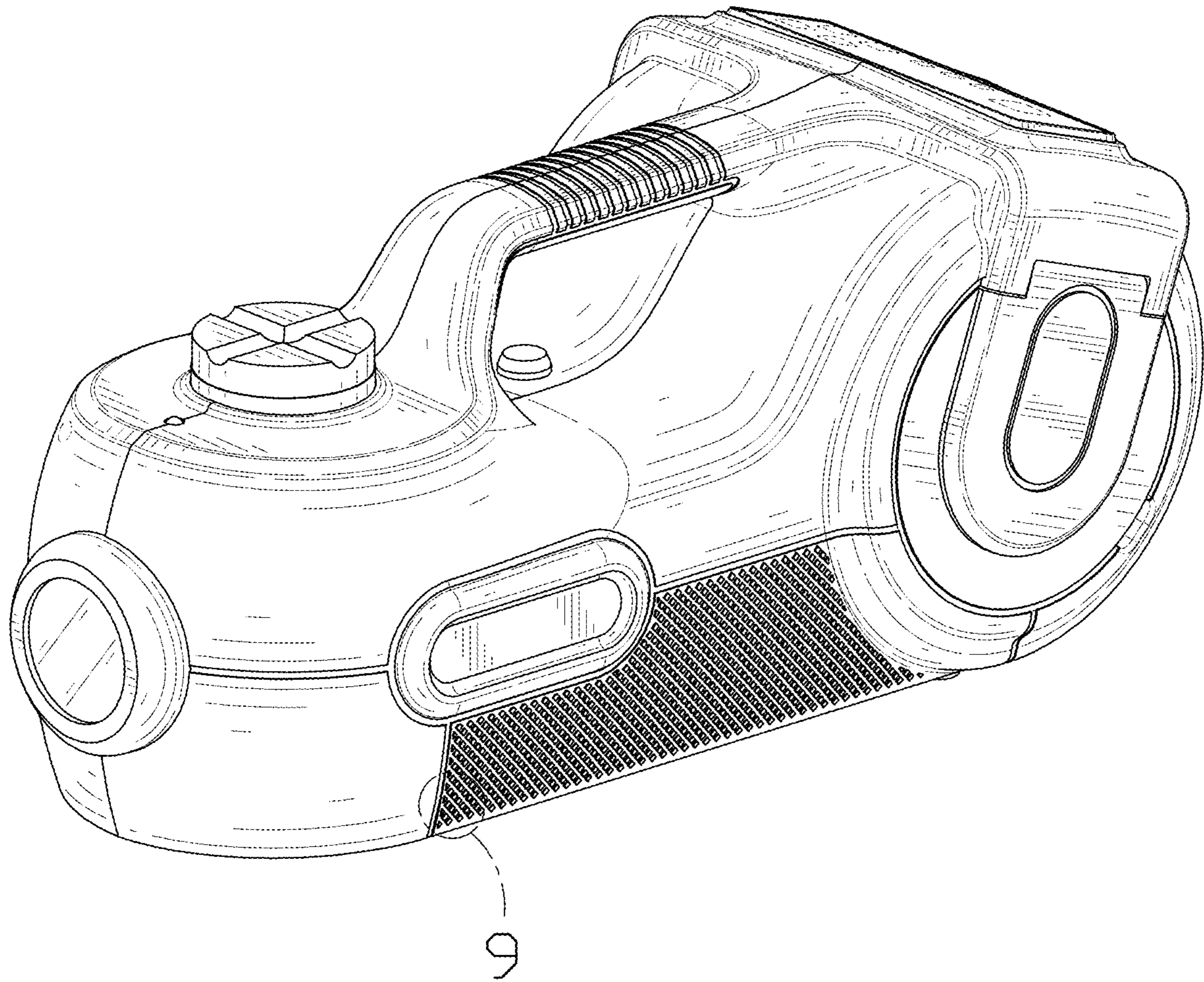


FIG. 1

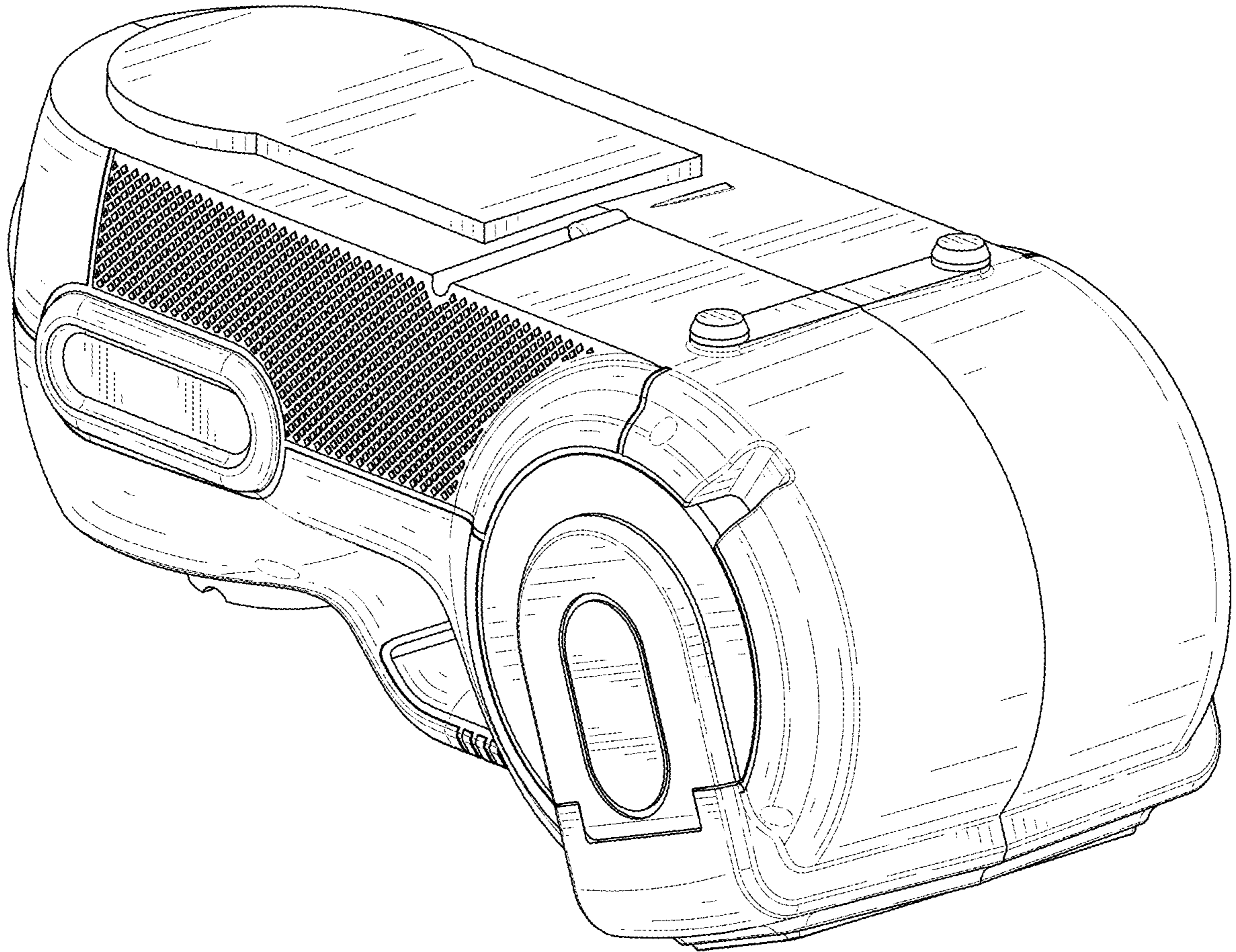


FIG. 2

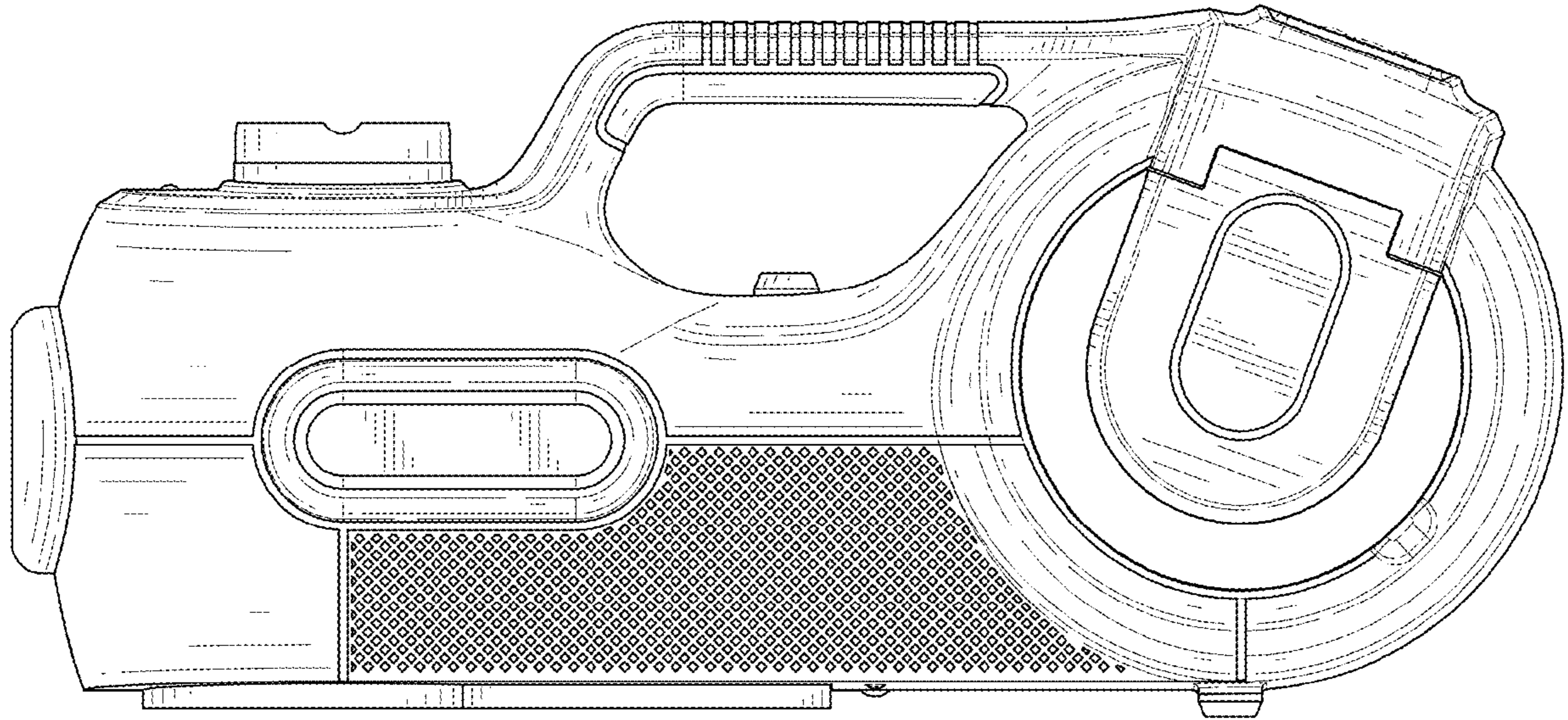


FIG. 3

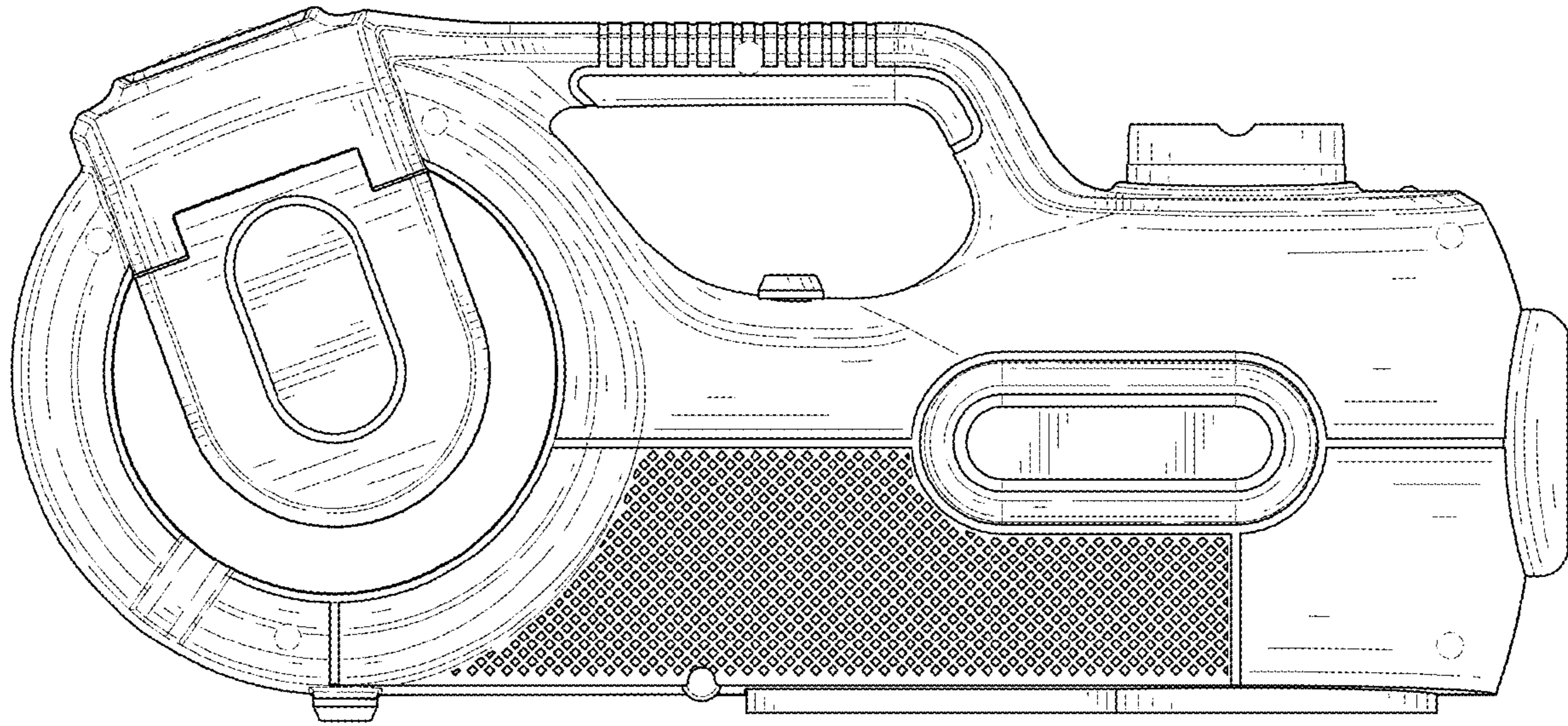


FIG. 4

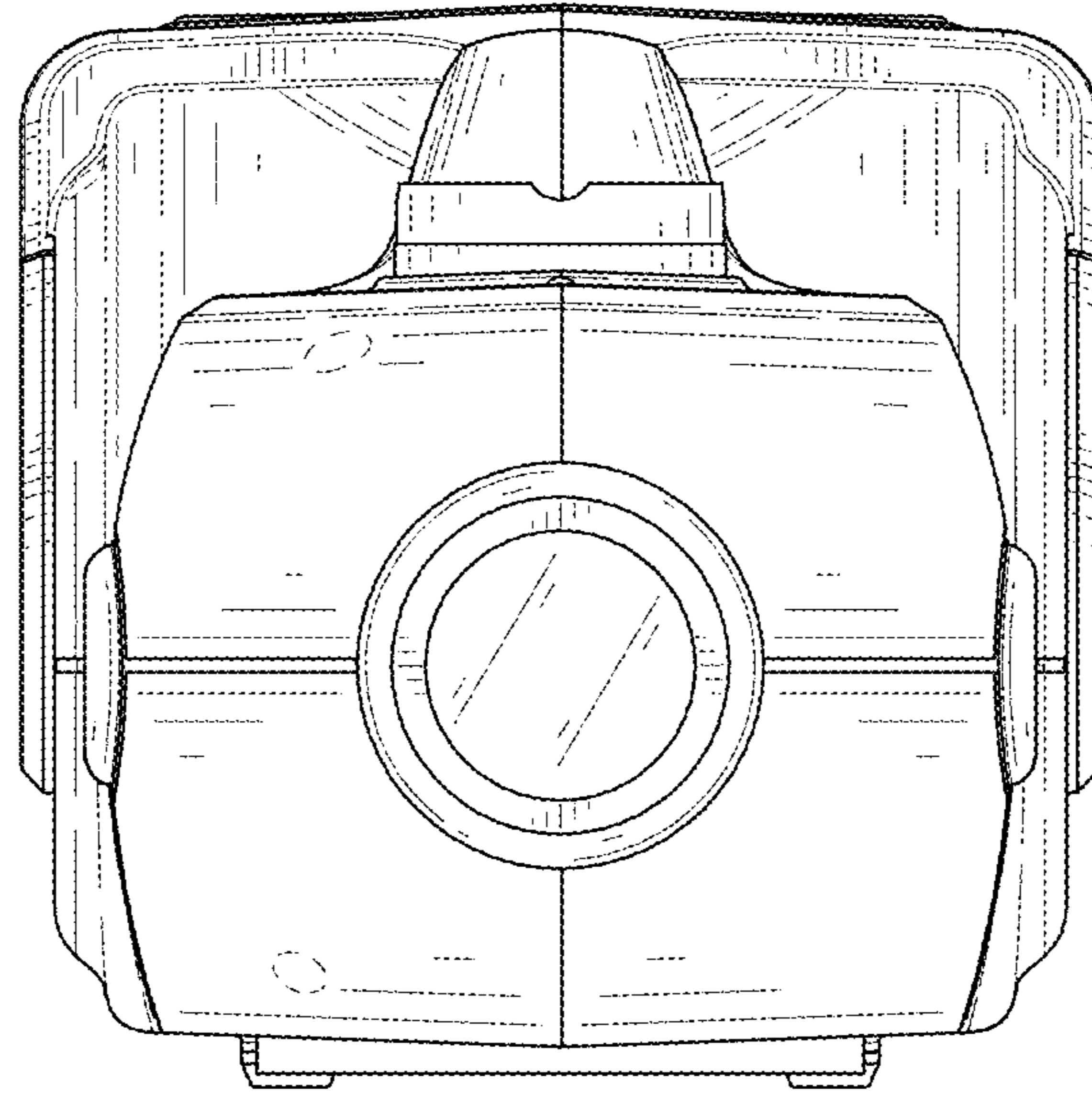


FIG. 5

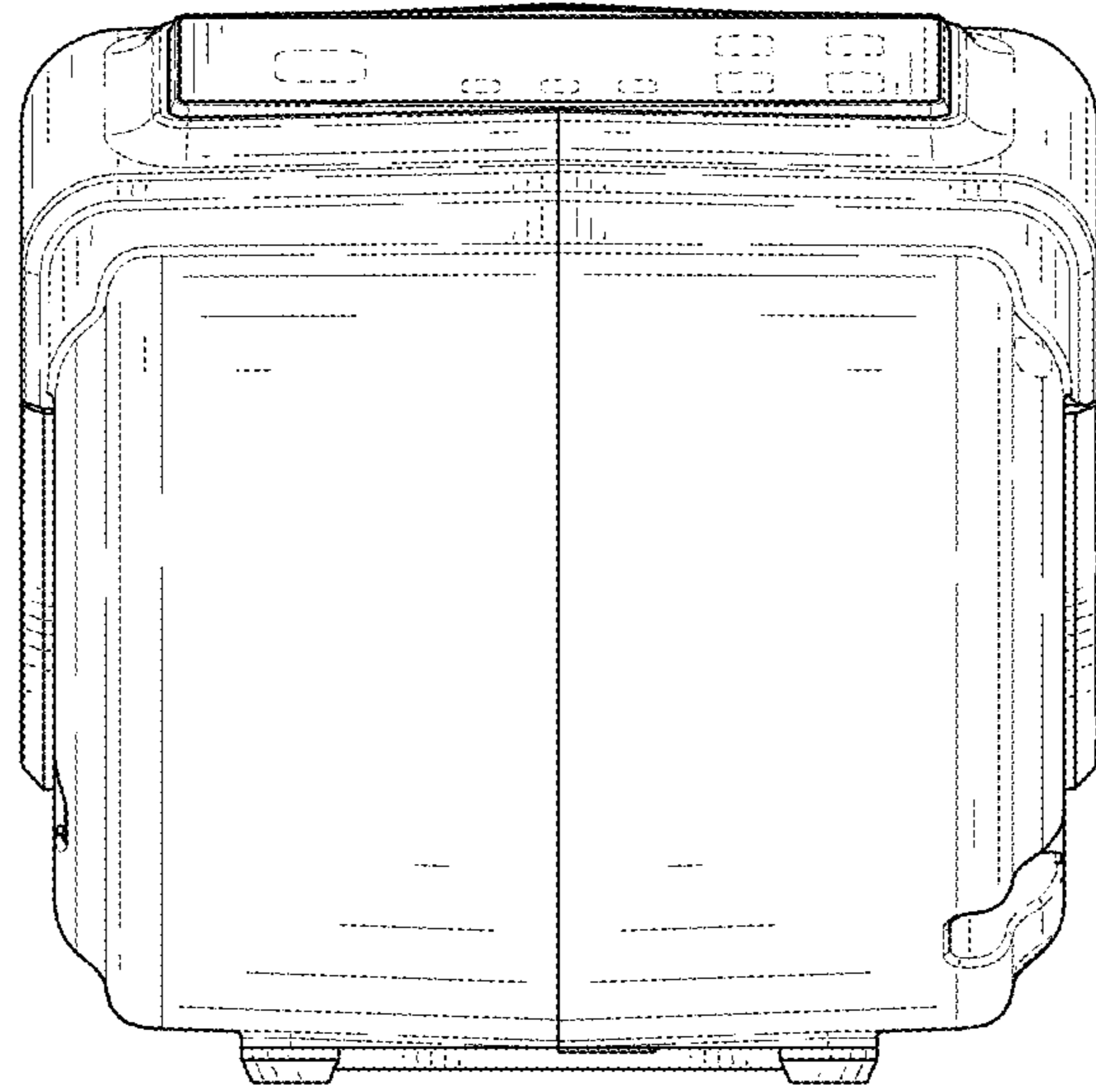


FIG. 6

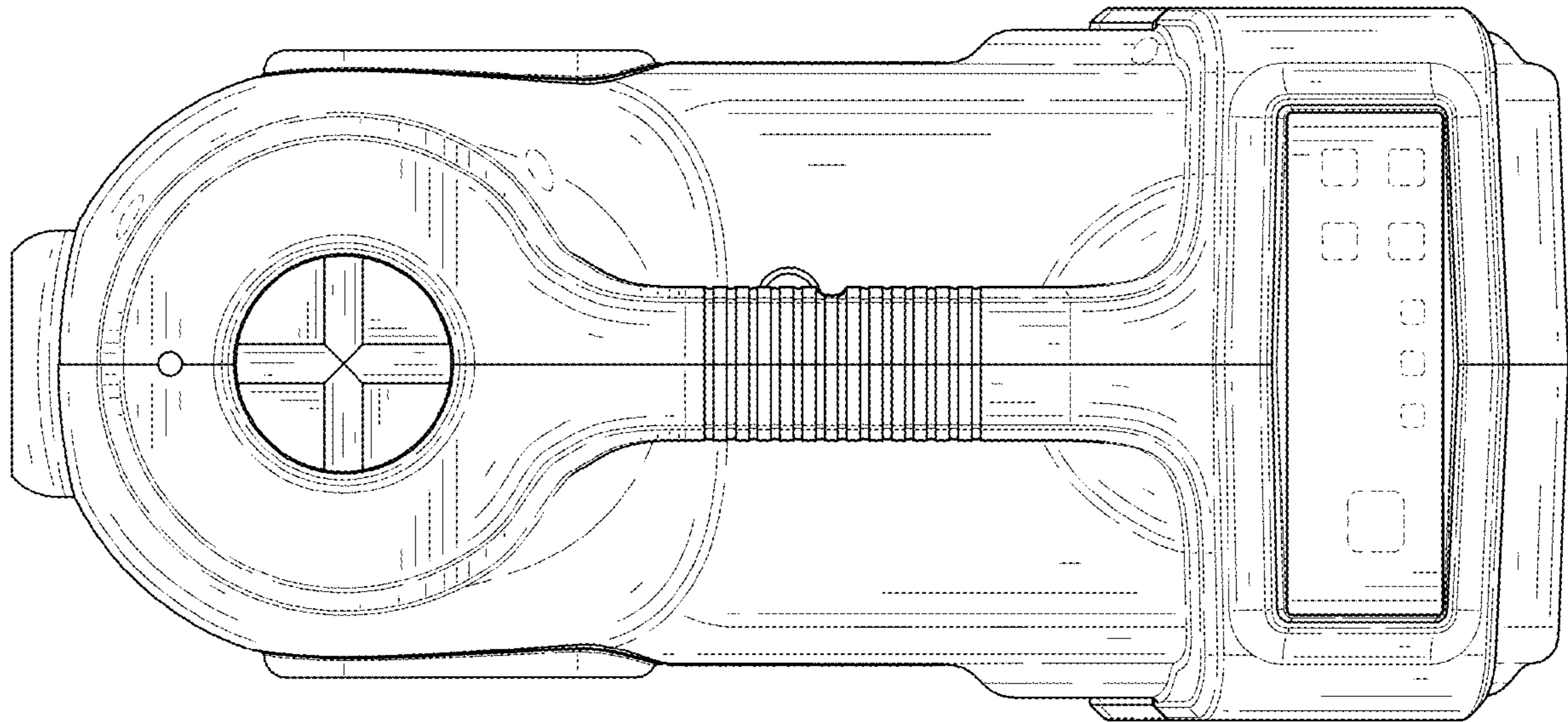


FIG. 7

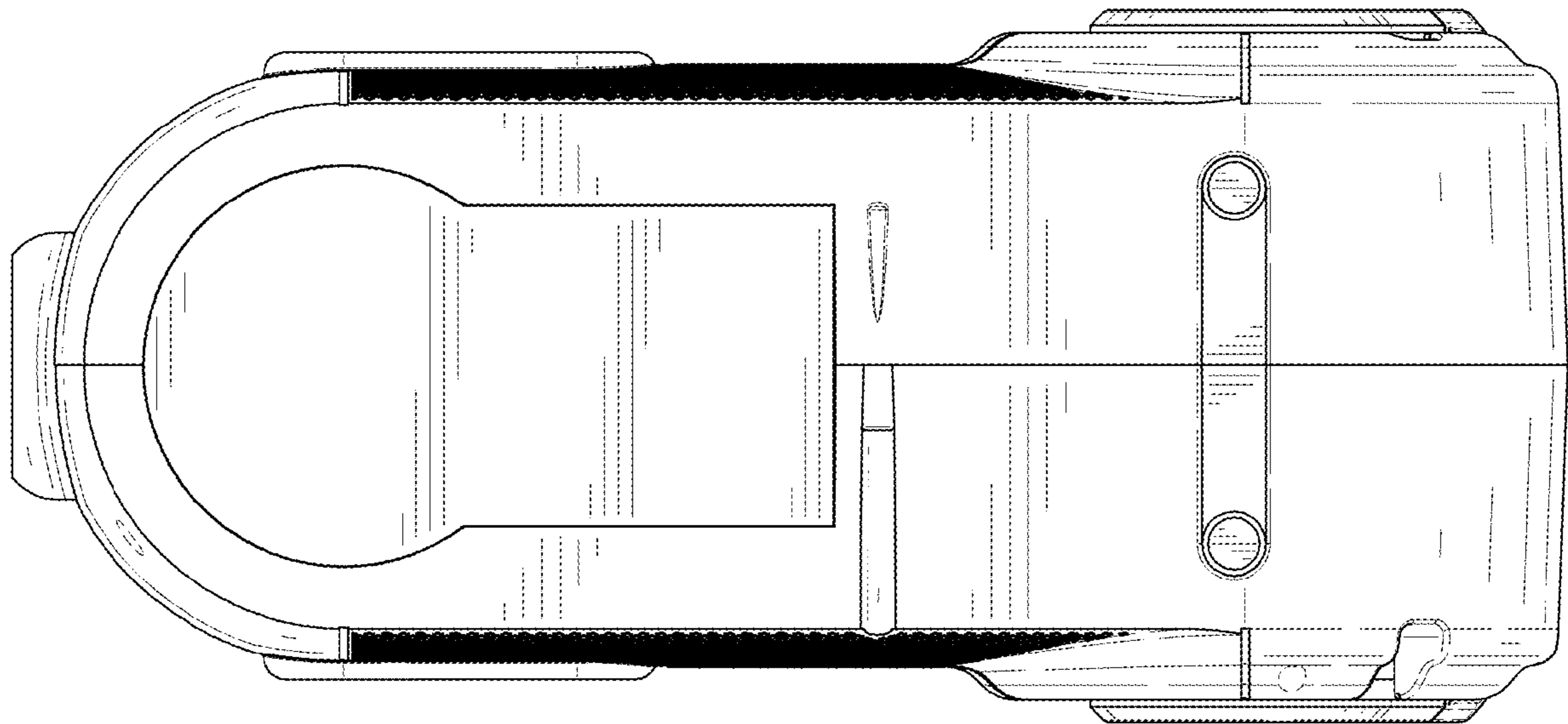


FIG. 8

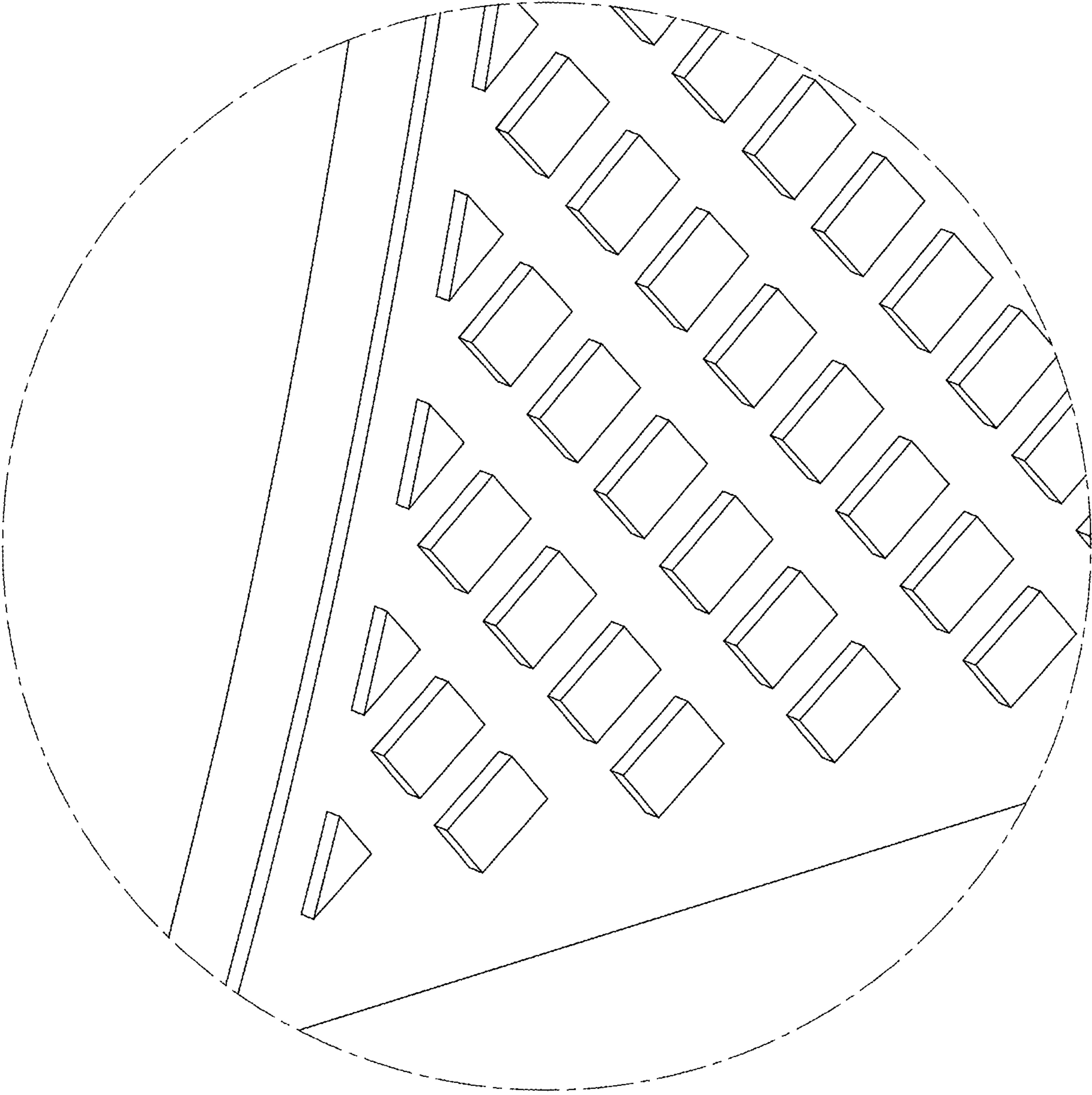


FIG. 9