



US00D916416S

(12) **United States Design Patent** (10) **Patent No.:** **US D916,416 S**  
**Hung** (45) **Date of Patent:** **\*\* Apr. 13, 2021**

(54) **JACK STAND BASE**  
(71) Applicant: **Shinn Fu Corporation**, Taipei (TW)  
(72) Inventor: **Victor Hung**, Taipei (TW)  
(73) Assignee: **SHINN FU CORPORATION**, Taipei (TW)  
(\*\*) Term: **15 Years**  
(21) Appl. No.: **29/691,500**  
(22) Filed: **May 16, 2019**  
(51) **LOC (13) Cl.** ..... **12-05**  
(52) **U.S. Cl.**  
USPC ..... **D34/31**  
(58) **Field of Classification Search**  
USPC ..... D34/31

(56) **References Cited**  
U.S. PATENT DOCUMENTS  
1,894,293 A \* 1/1933 Green ..... F16M 11/046  
248/352  
1,909,023 A \* 5/1933 Statz ..... B66F 13/00  
254/7 B

**OTHER PUBLICATIONS**  
Google image searches, <http://www.shinnfuamerica.com/ProductDetails/Pro-Lift/3TonStampedJackStand/T-6903/257>, 2.5 ton magic lift service jack, Oct. 27, 2020 (Year: 2020).\*

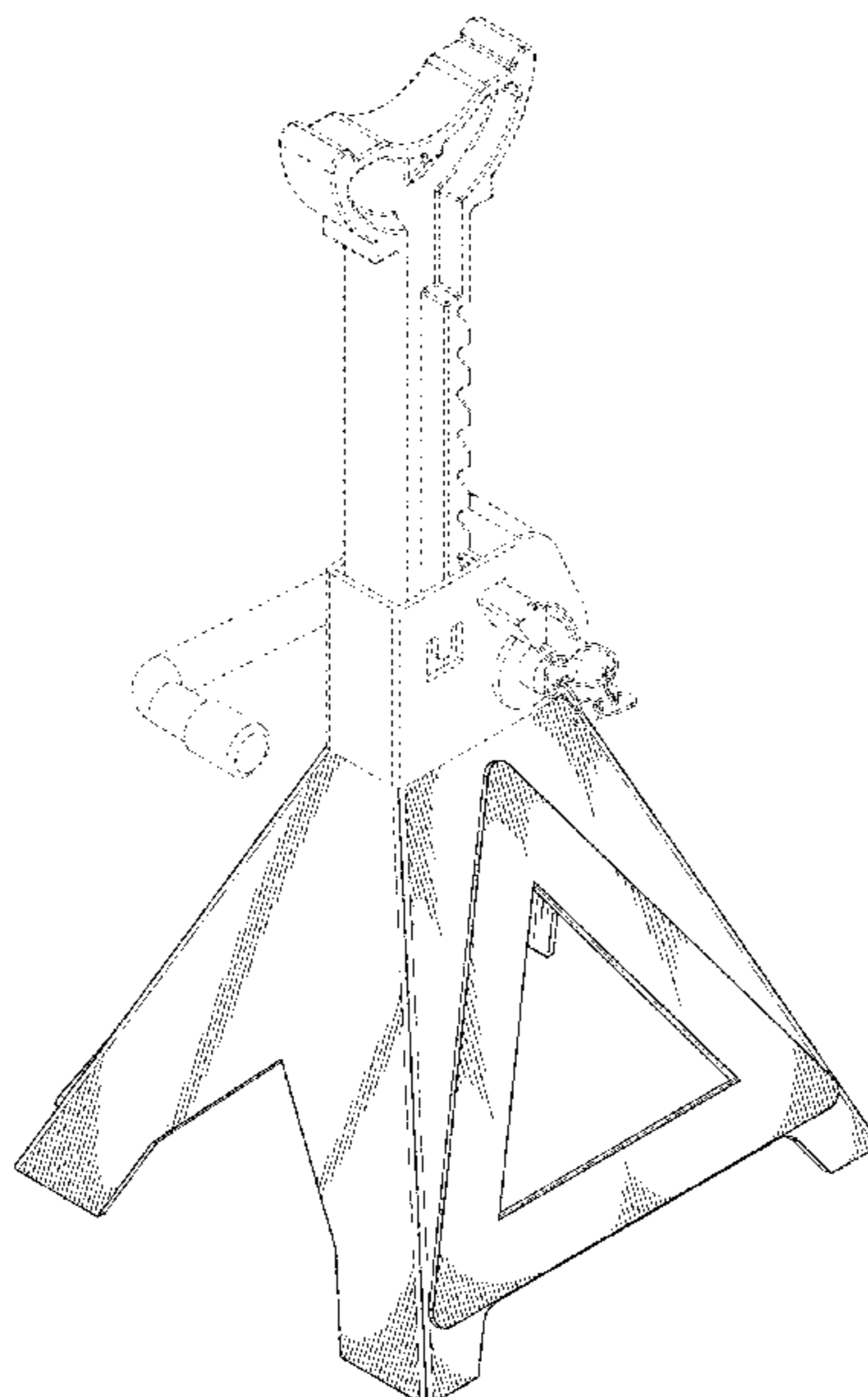
*Primary Examiner* — Cynthia Ramirez

(74) *Attorney, Agent, or Firm* — Christensen O'Connor Johnson Kindness PLLC

(57) **CLAIM**  
The ornamental design for a jack stand base, as shown and described.

**DESCRIPTION**  
FIG. 1 is a perspective view of a jack stand base showing a first embodiment of our new design;  
FIG. 2 is a front view of the jack stand base of FIG. 1;  
FIG. 3 is a rear view of the jack stand base of FIG. 1;  
FIG. 4 is a top view of the jack stand base of FIG. 1;  
FIG. 5 is a right side view of the jack stand base of FIG. 1;  
FIG. 6 is a left side view of the jack stand base of FIG. 1;  
FIG. 7 is a perspective view of a jack stand base showing a second embodiment of our new design;  
FIG. 8 is a front view of the jack stand base of FIG. 7;  
FIG. 9 is a rear view of the jack stand base of FIG. 7;  
FIG. 10 is a top view of the jack stand base of FIG. 7;  
FIG. 11 is a right side view of the jack stand base of FIG. 7;  
FIG. 12 is a left side view of the jack stand base of FIG. 7;  
FIG. 13 is a perspective view of a jack stand base showing a third embodiment of our new design;  
FIG. 14 is a front view of the jack stand base of FIG. 13;  
FIG. 15 is a rear view of the jack stand base of FIG. 13;  
FIG. 16 is a top view of the jack stand base of FIG. 13;  
FIG. 17 is a right side view of the jack stand base of FIG. 13;  
FIG. 18 is a left side view of the jack stand base of FIG. 13;  
FIG. 19 is a perspective view of a jack stand base showing a fourth embodiment of our new design;  
FIG. 20 is a front view of the jack stand base of FIG. 19;  
FIG. 21 is a rear view of the jack stand base of FIG. 19;  
FIG. 22 is a top view of the jack stand base of FIG. 19;  
FIG. 23 is a right side view of the jack stand base of FIG. 19; and,  
FIG. 24 is a left side view of the jack stand base of FIG. 19.  
The broken lines shown in the figures represent portions of the jack stand base that form no part of the claimed design.

**1 Claim, 24 Drawing Sheets**



# US D916,416 S

Page 2

(58) **Field of Classification Search**

CPC .... B66F 13/00; B66F 3/42; B66F 3/30; B66F 3/24; B66F 1/04; F16M 11/18; F16M 11/20; F16M 11/28

See application file for complete search history.

(56) **References Cited**

U.S. PATENT DOCUMENTS

3,493,209 A \* 2/1970 Brammer ..... B66F 13/00  
248/352  
4,540,147 A \* 9/1985 Lincourt ..... B66F 13/00  
248/351  
4,856,747 A \* 8/1989 Gano ..... F16M 11/046  
248/354.7  
5,180,131 A \* 1/1993 Few ..... F16M 11/046  
248/352  
D456,975 S \* 5/2002 Ji ..... D34/31  
6,443,413 B1 \* 9/2002 Hawkins ..... B66F 1/06  
248/352  
6,644,615 B1 \* 11/2003 Liu ..... B66F 13/00  
248/346.07  
7,207,548 B1 \* 4/2007 Howe ..... B66F 3/00  
254/98  
7,878,482 B2 \* 2/2011 Hernandez, Jr. .... B66F 3/30  
254/93 H

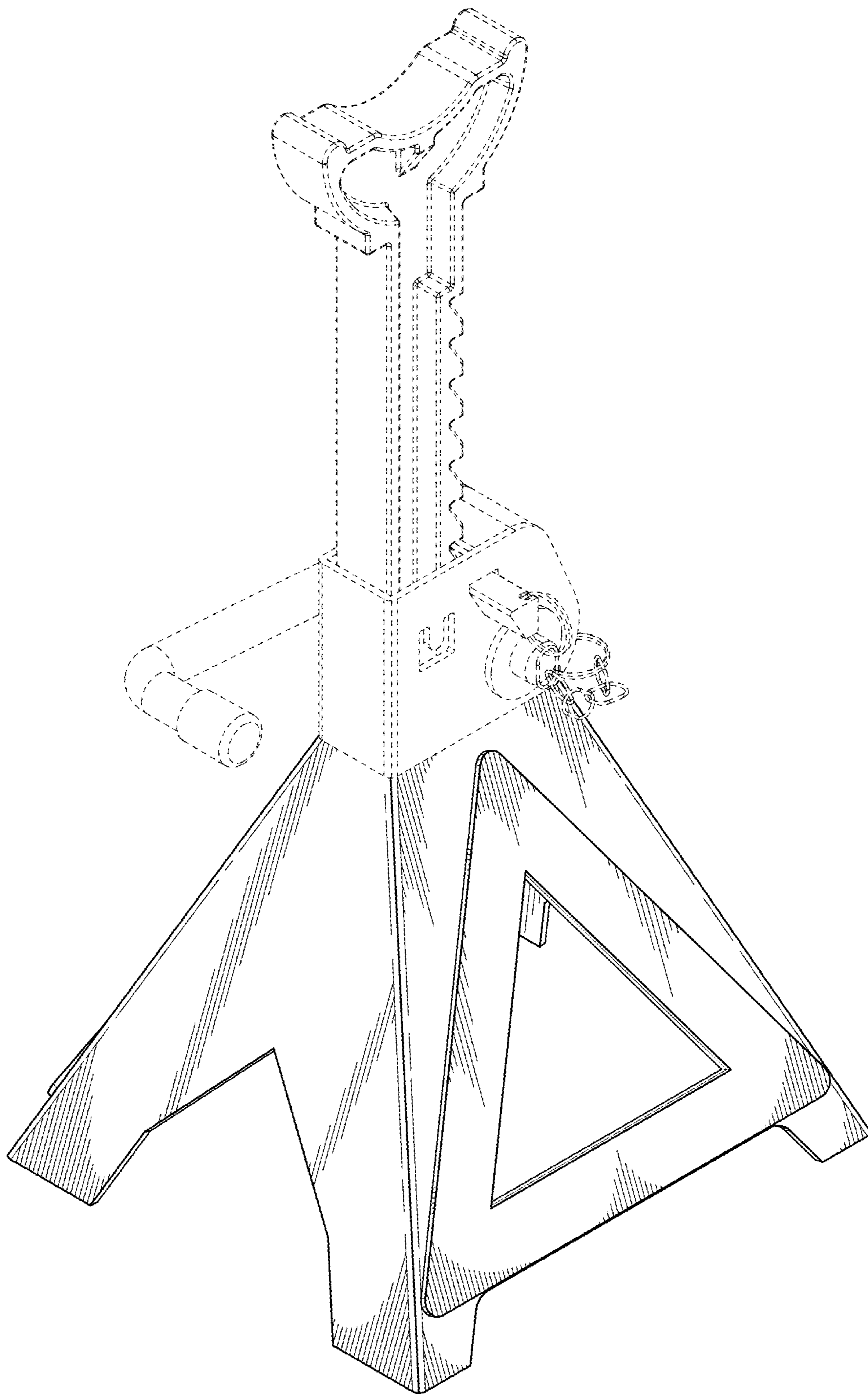
8,201,807 B2 \* 6/2012 Hernandez, Jr. .... B66F 3/24  
254/93 H  
8,807,506 B2 \* 8/2014 Hanlon ..... F16M 11/18  
248/354.4  
D732,787 S \* 6/2015 Chen ..... D34/31  
2007/0114500 A1 \* 5/2007 Hernandez, Jr. .... B66F 3/24  
254/1  
2008/0203265 A1 \* 8/2008 Zhang ..... B25H 1/0007  
248/352  
2009/0200528 A1 \* 8/2009 Seber ..... B66F 1/06  
254/131  
2010/0258775 A1 \* 10/2010 Zhengwei ..... B66F 3/42  
254/93 H  
2015/0308612 A1 \* 10/2015 Chen ..... F16M 11/18  
248/352

OTHER PUBLICATIONS

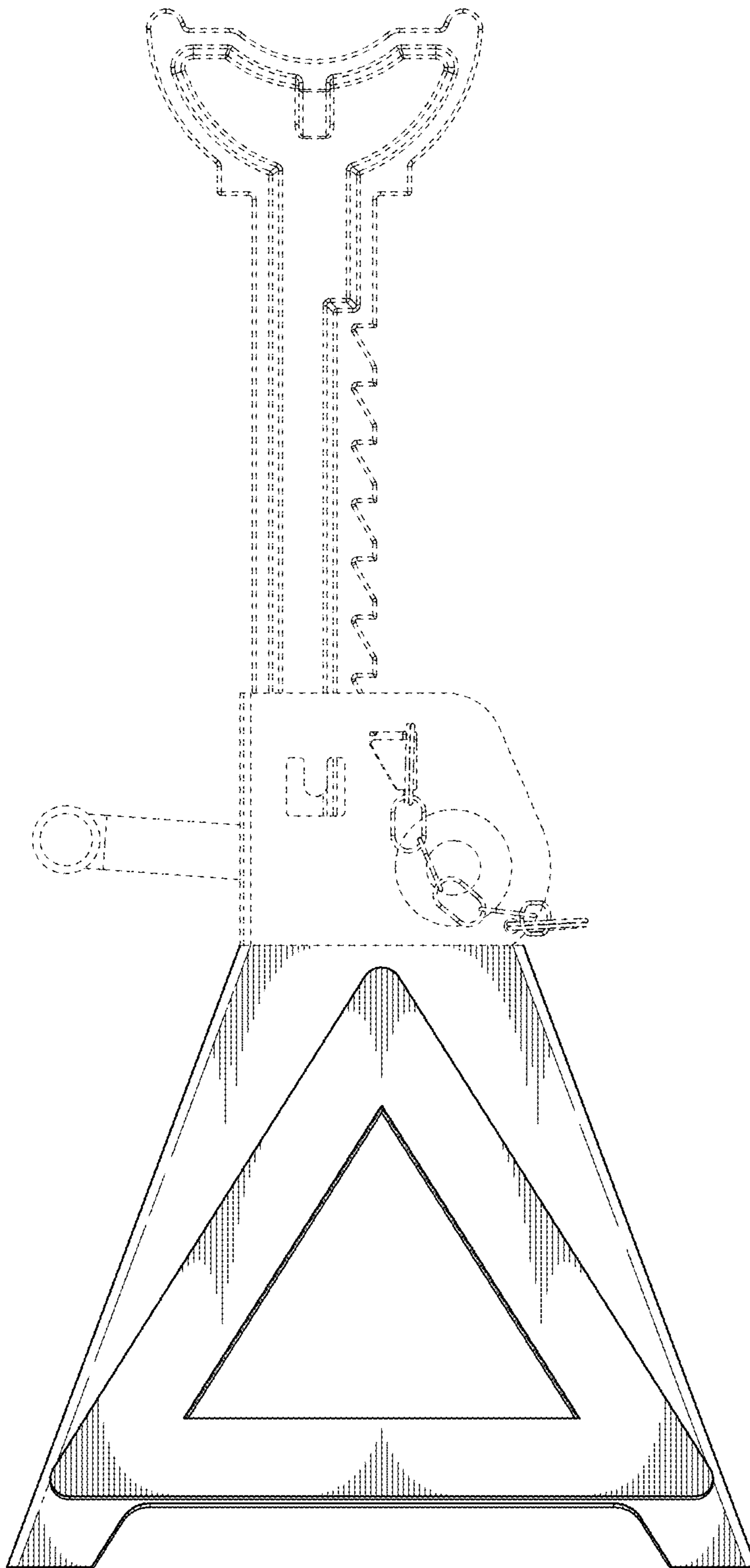
Google search, Arcan Aluminum Jack Stands, [www.thetruthaboutcars.com/products/best-jack-stands/](http://www.thetruthaboutcars.com/products/best-jack-stands/), Oct. 27, 2020 (Year: 2020).\*

Google search, [https://www.amazon.com/NAJS3T-3-Ton-Aluminum-Ratchet-2-Pack/dp/B00A3ZE1R0/ref=pd\\_sbs\\_263\\_6/144-4647508-5713108](https://www.amazon.com/NAJS3T-3-Ton-Aluminum-Ratchet-2-Pack/dp/B00A3ZE1R0/ref=pd_sbs_263_6/144-4647508-5713108), NOS NAJS3T 3 ton aluminum jack stand ratchet style, Oct. 27, 2020 (Year: 2020).\*

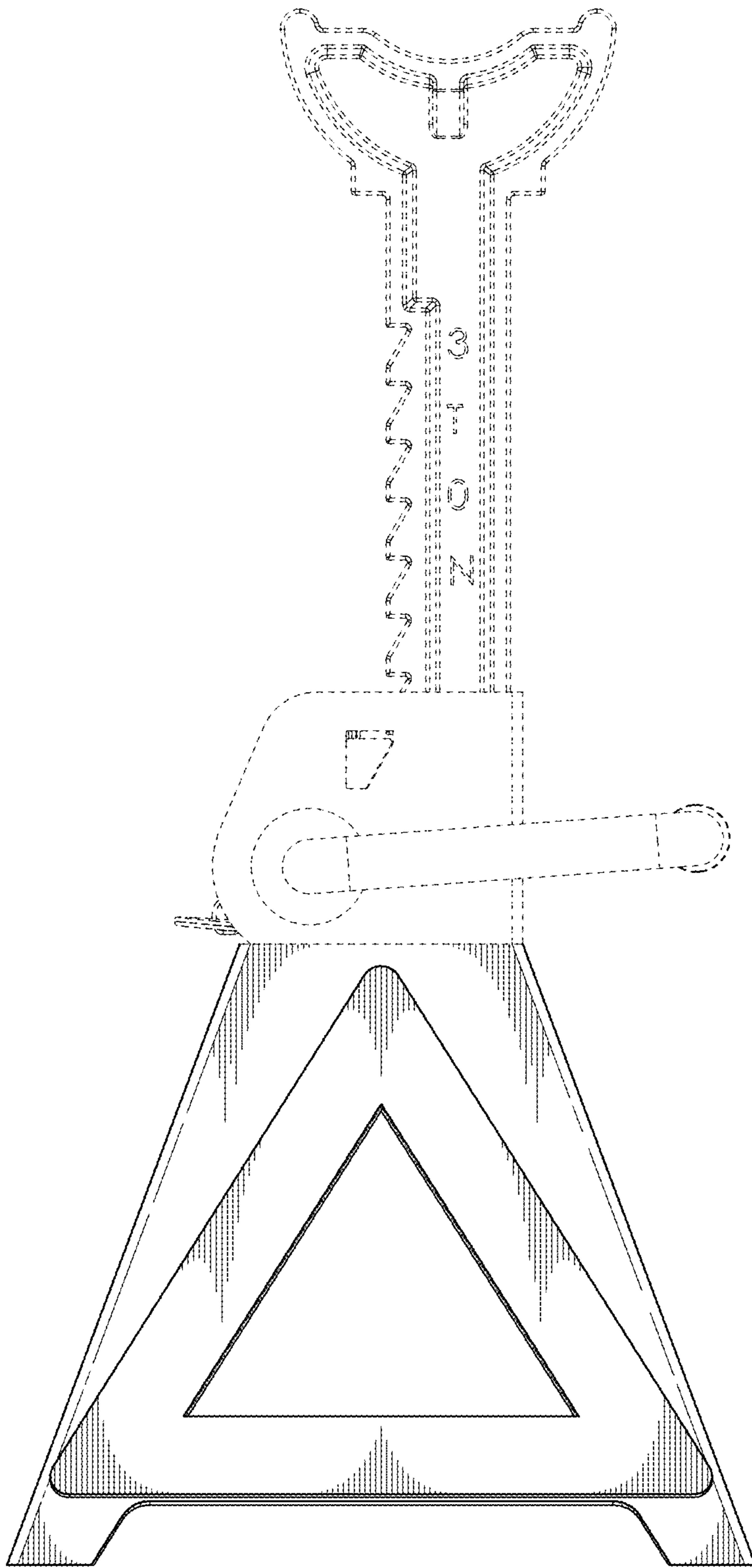
\* cited by examiner



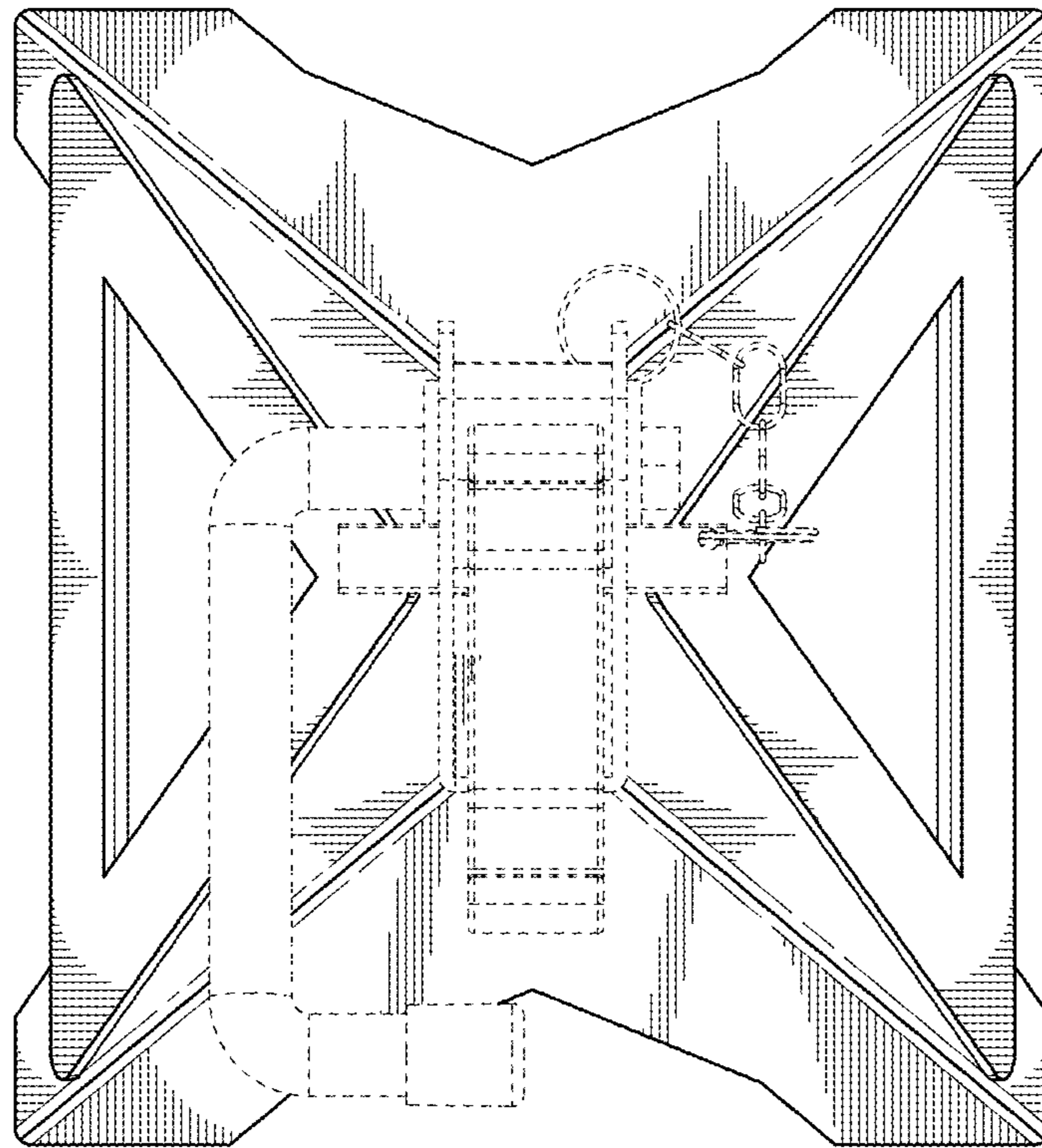
*Fig. 1*



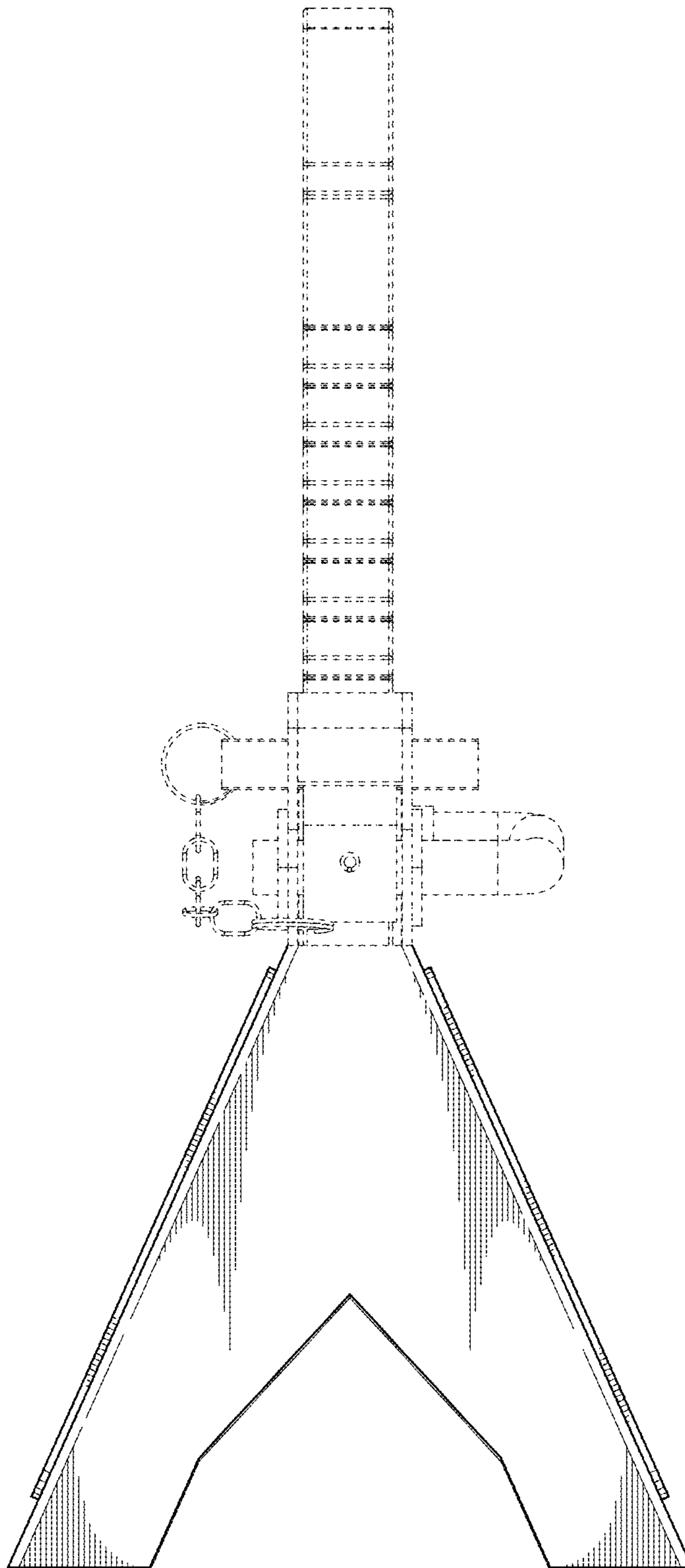
*Fig. 2*



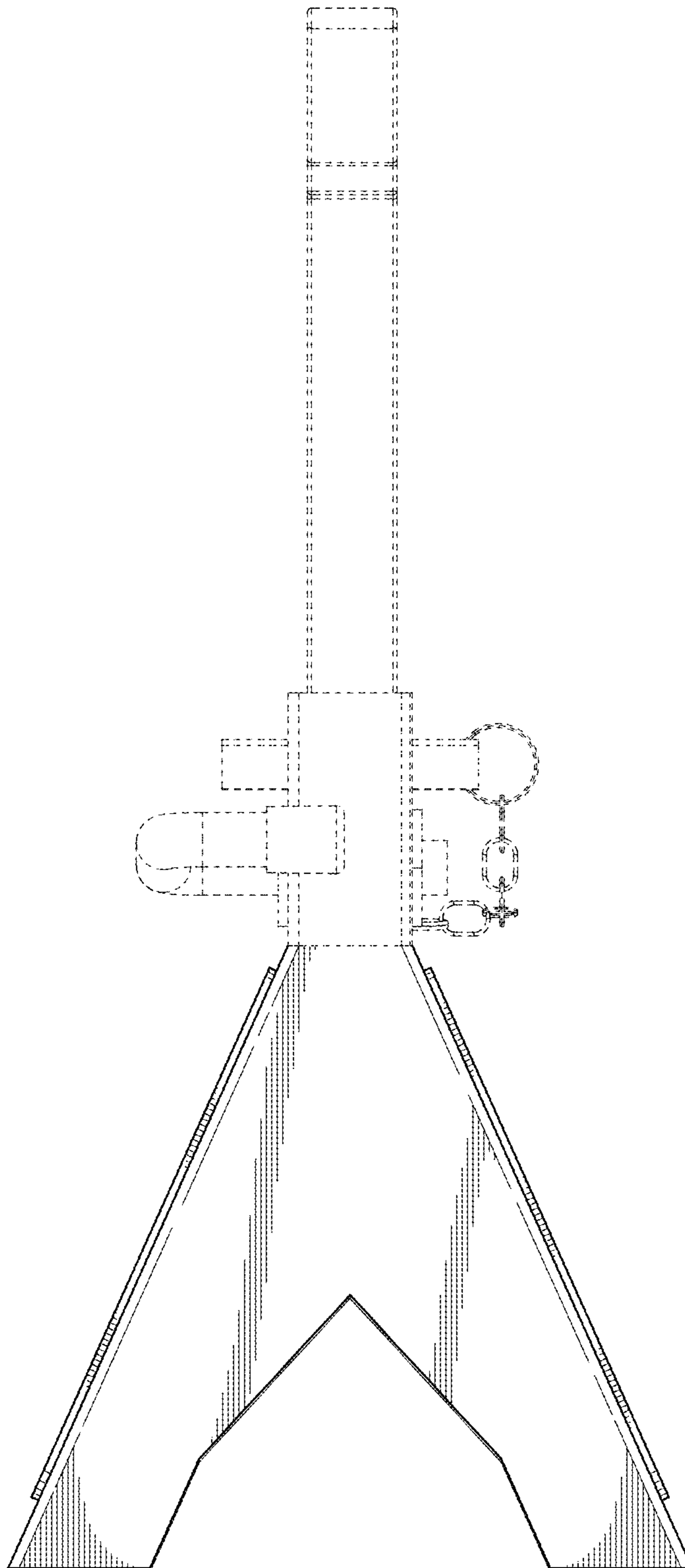
*Fig. 3*



*Fig. 4*

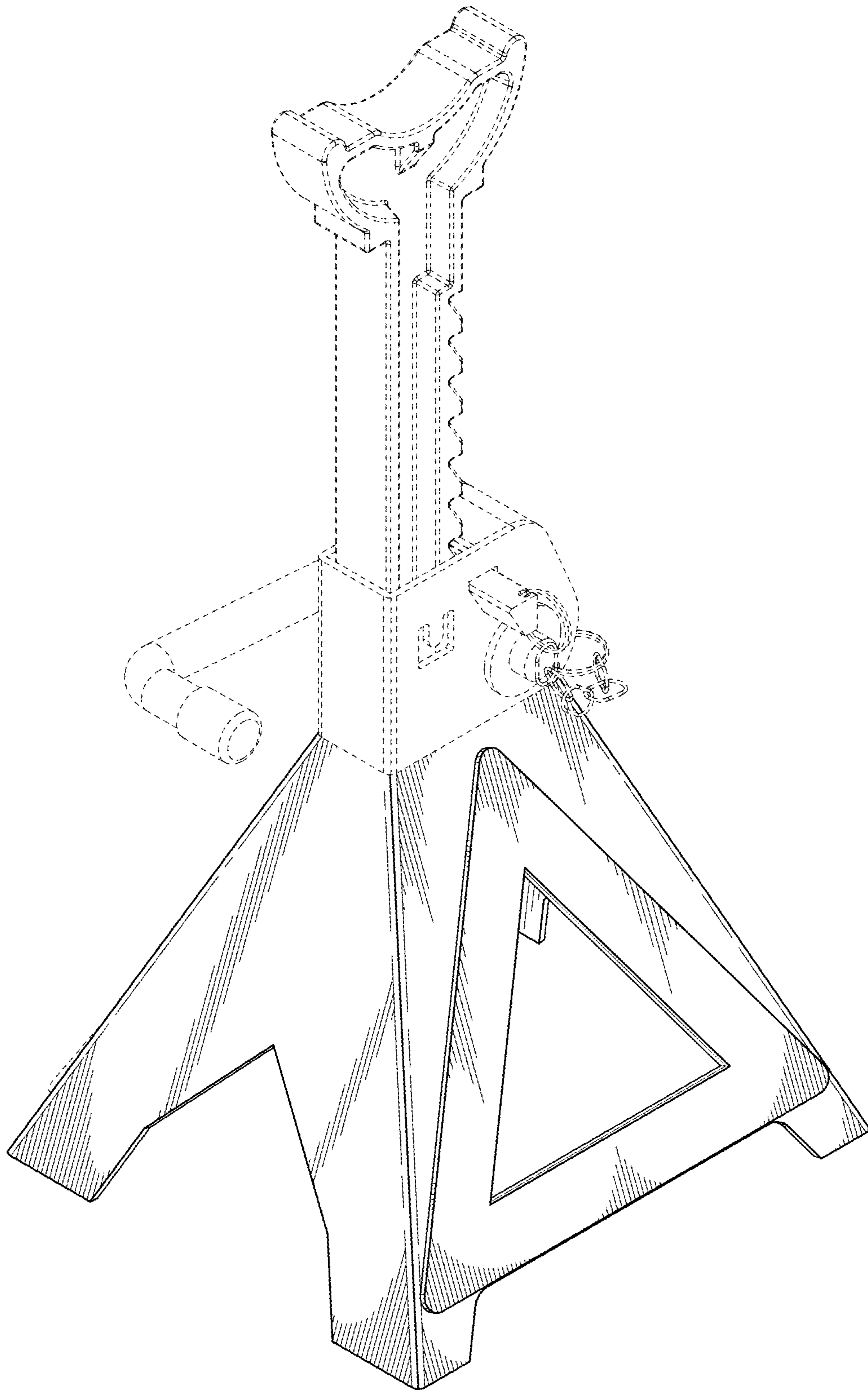


*Fig. 5*

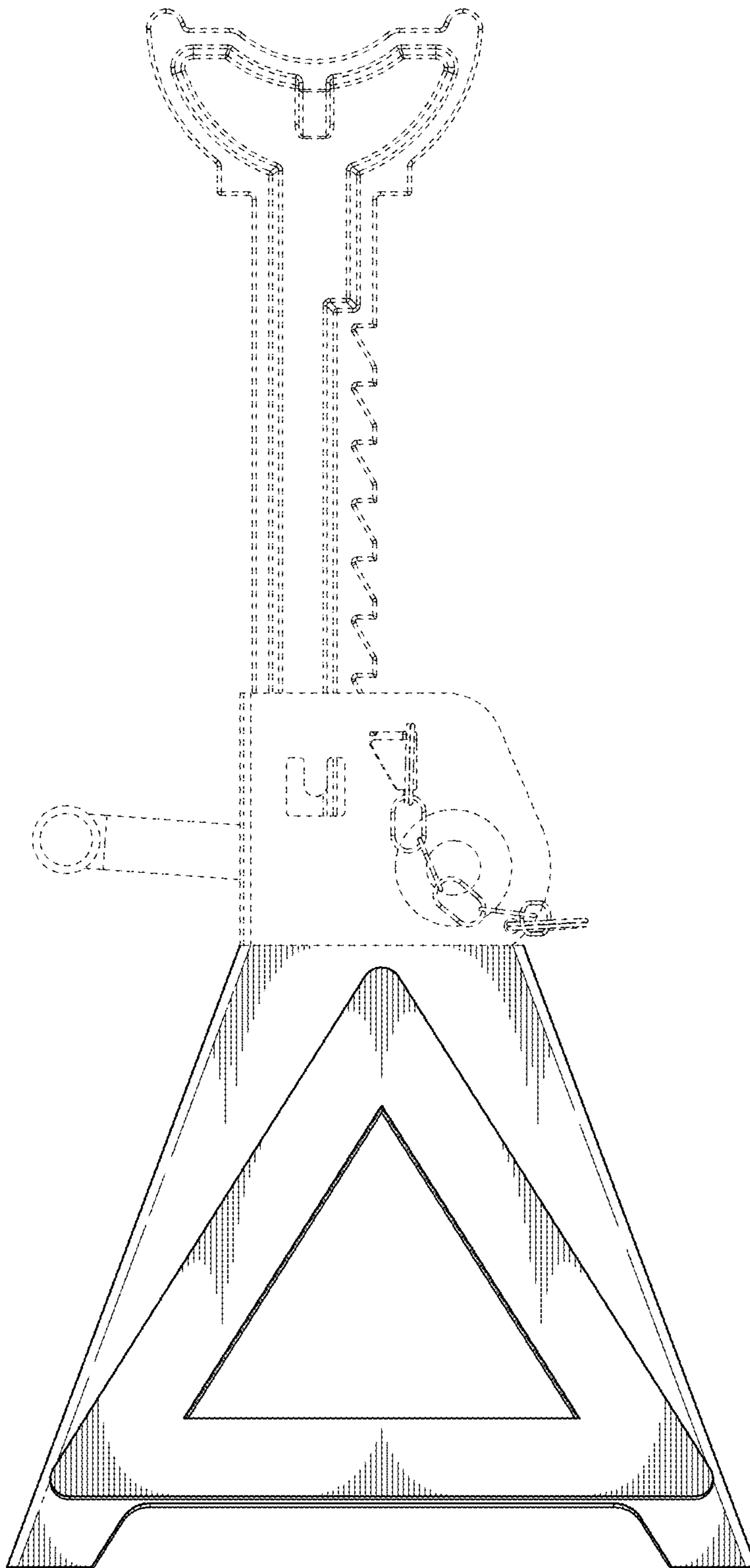


*Fig. 6*

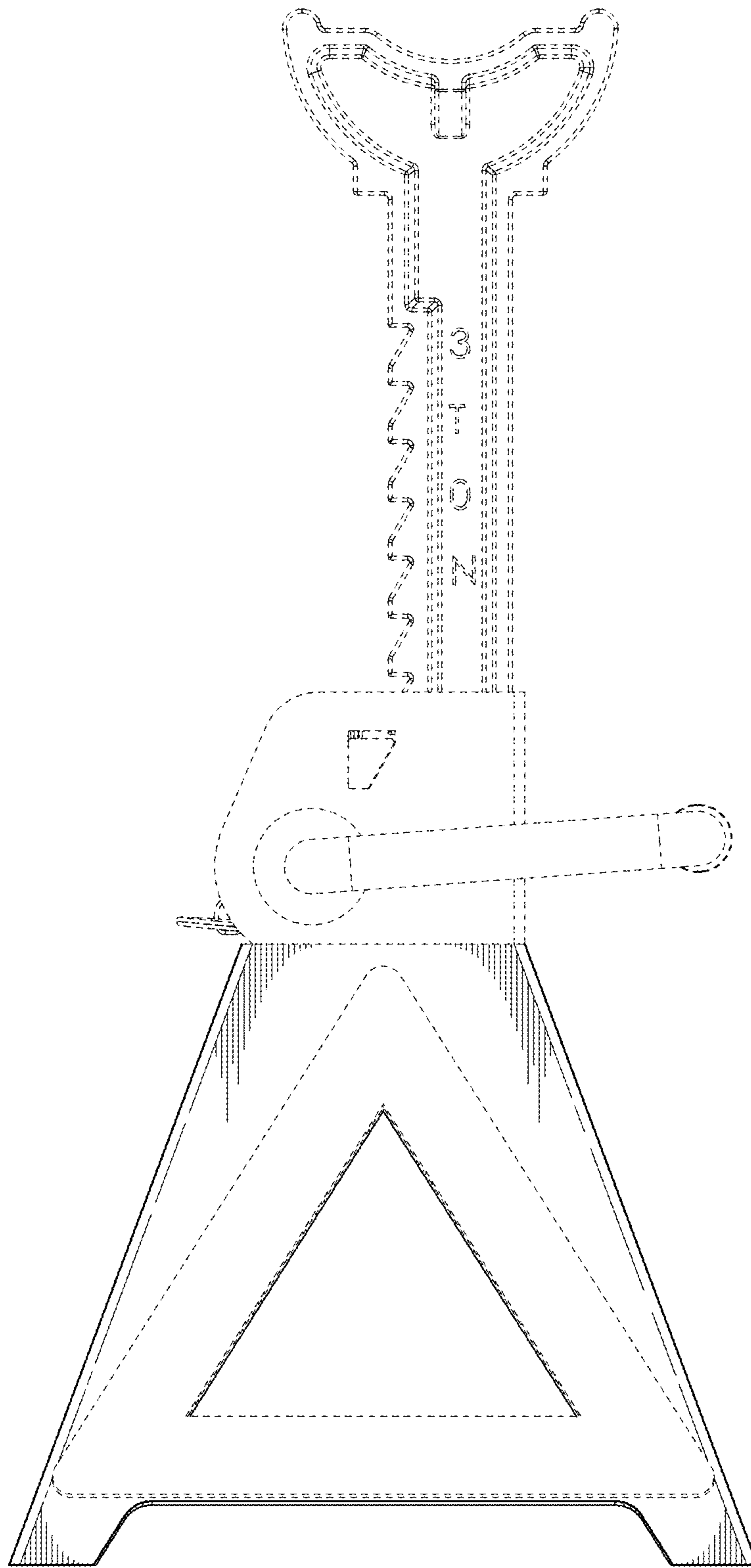




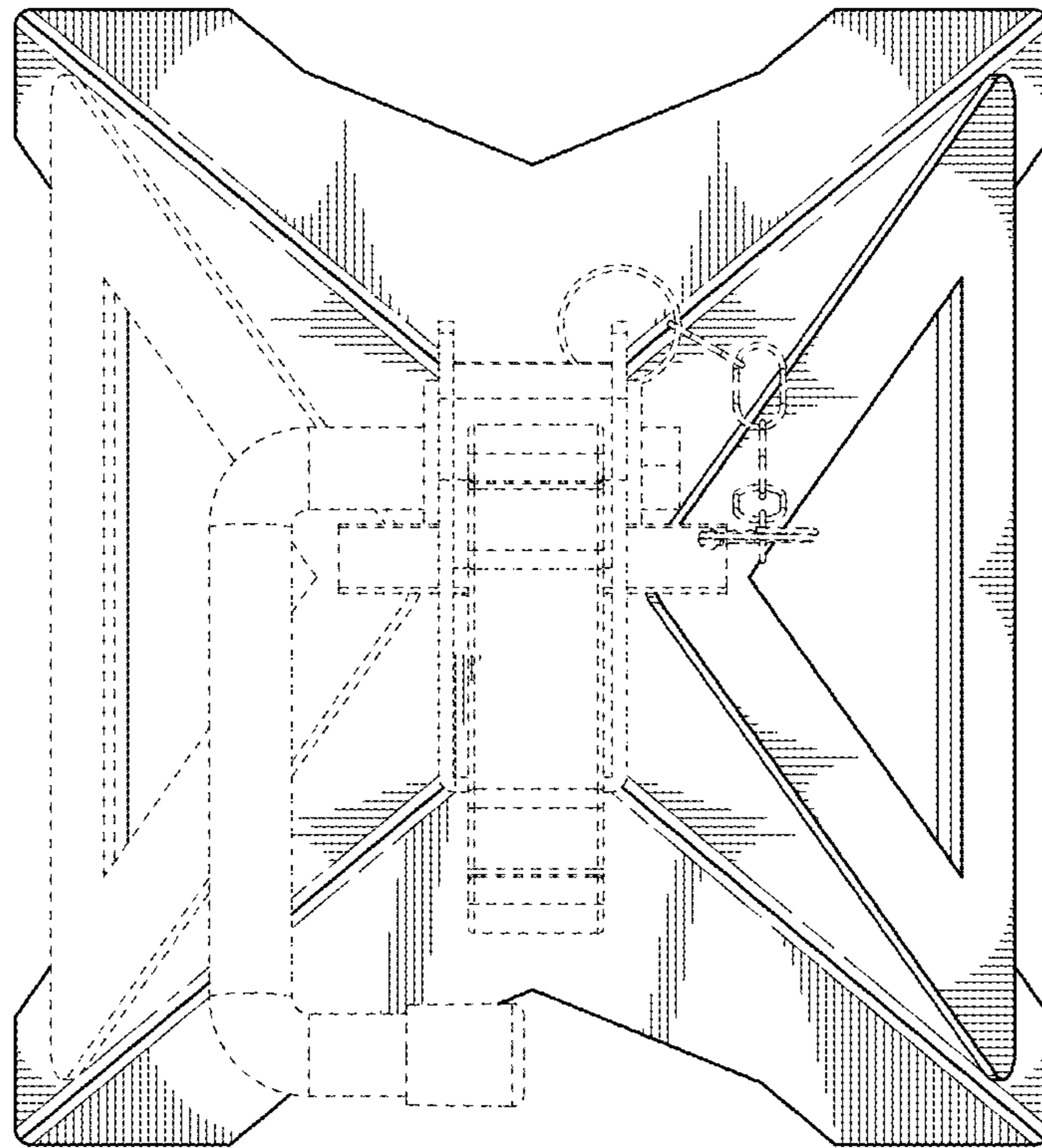
*Fig. 7*



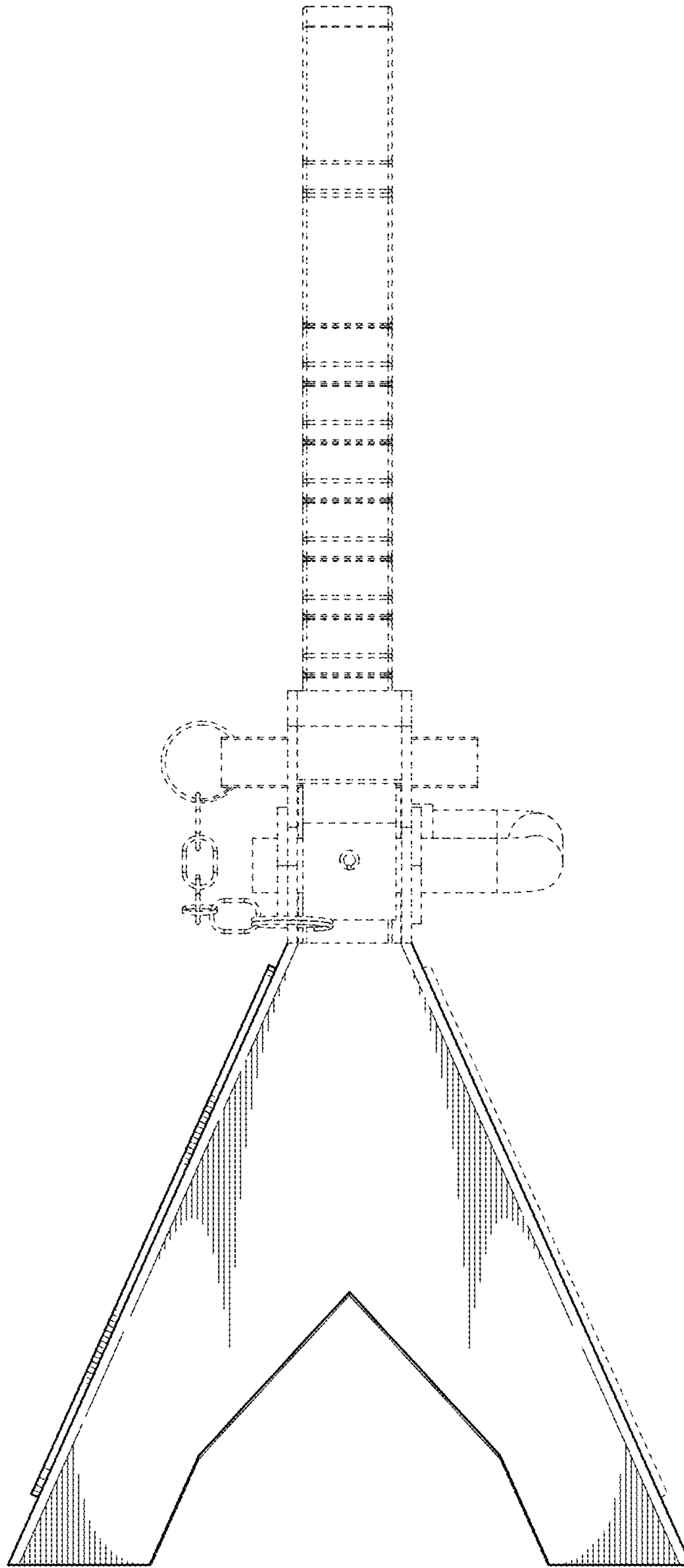
*Fig. 8*



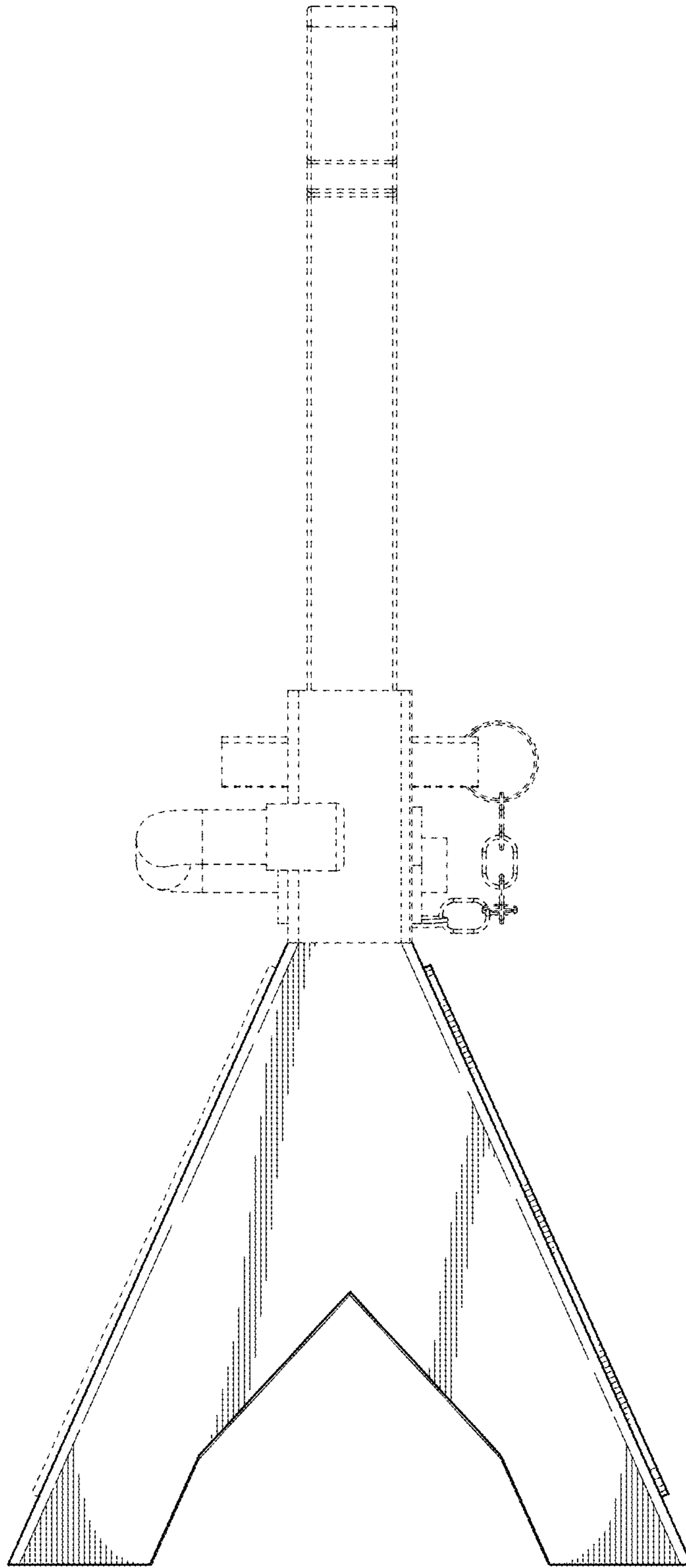
*Fig. 9*



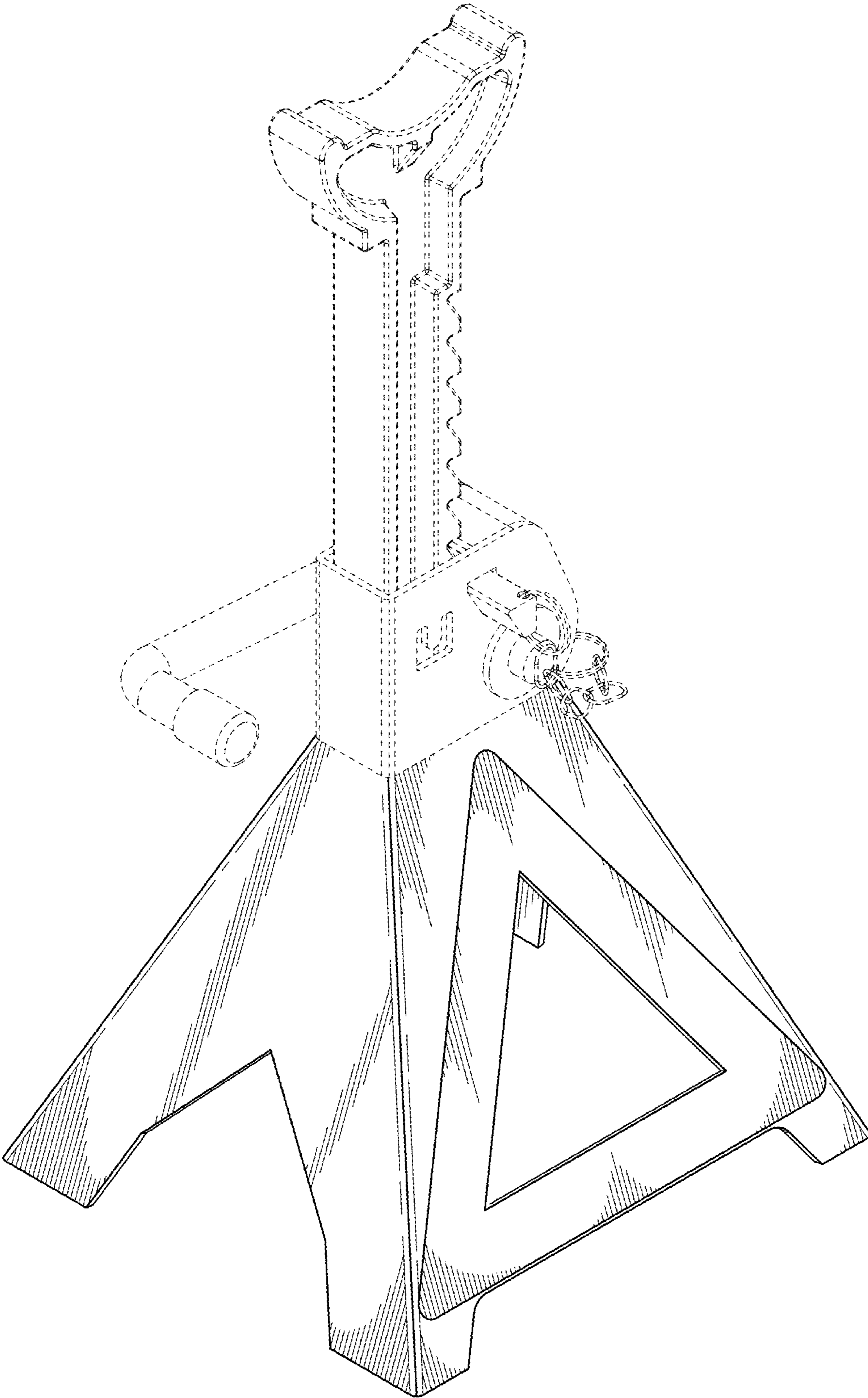
*Fig. 10*



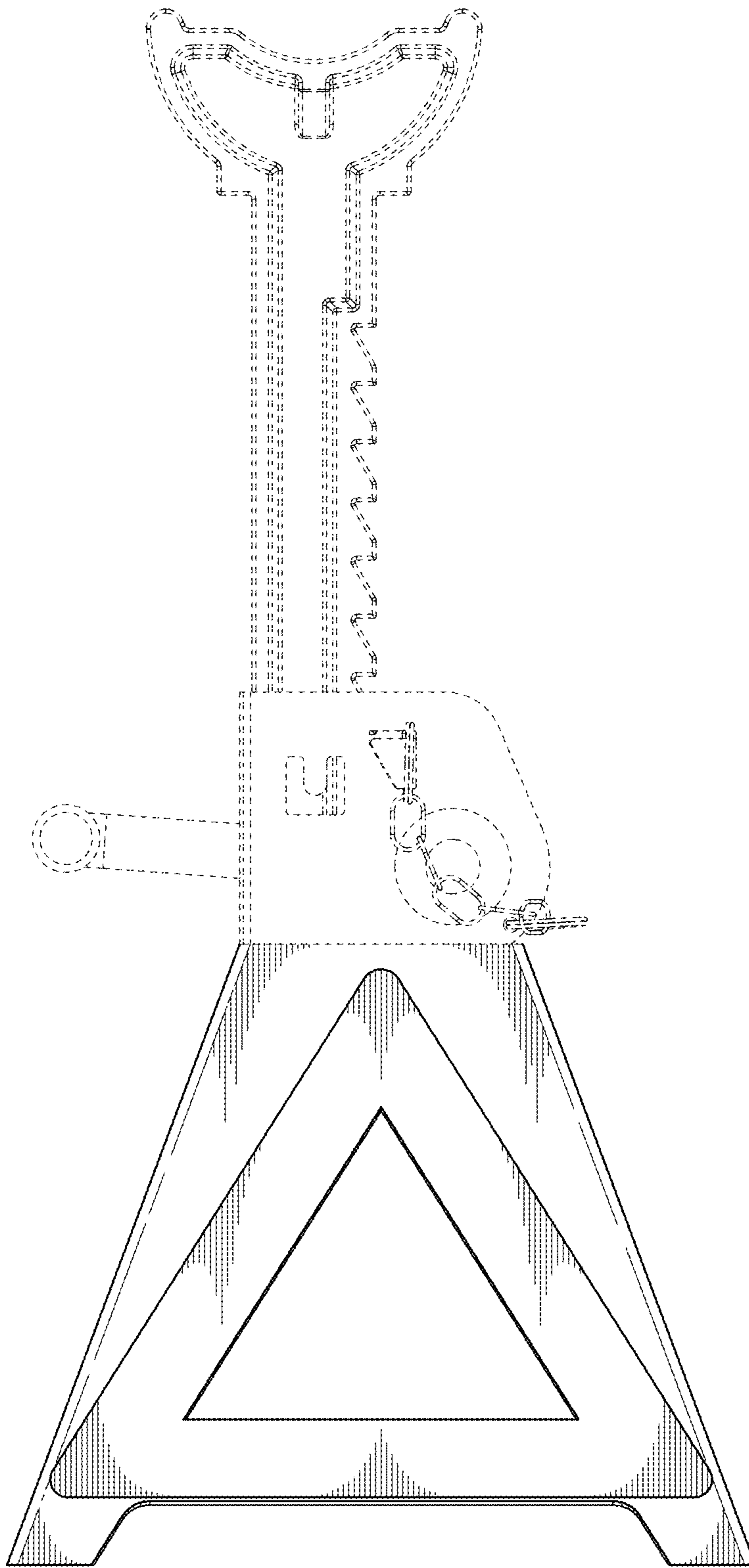
*Fig. 11*



*Fig. 12*

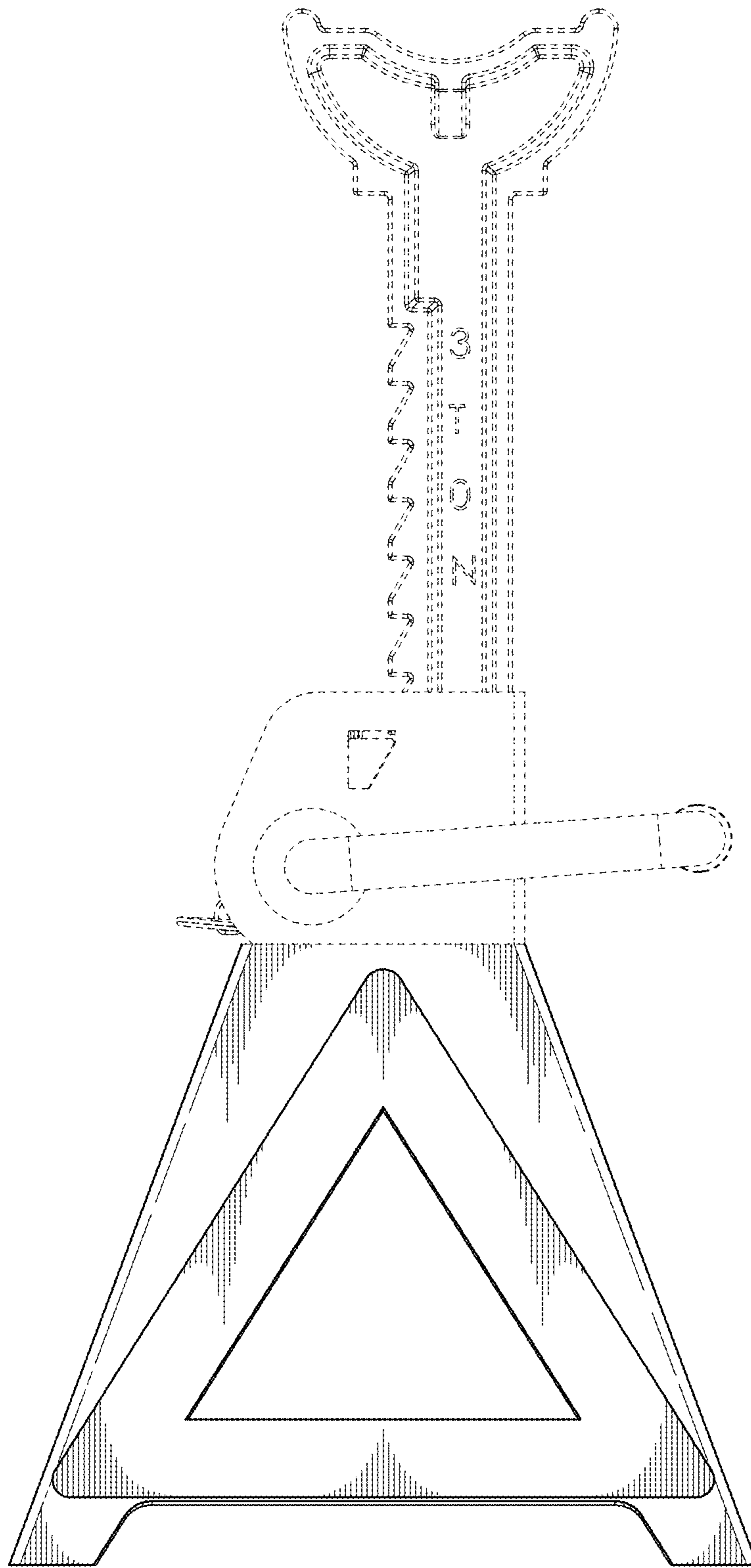


*Fig. 13*

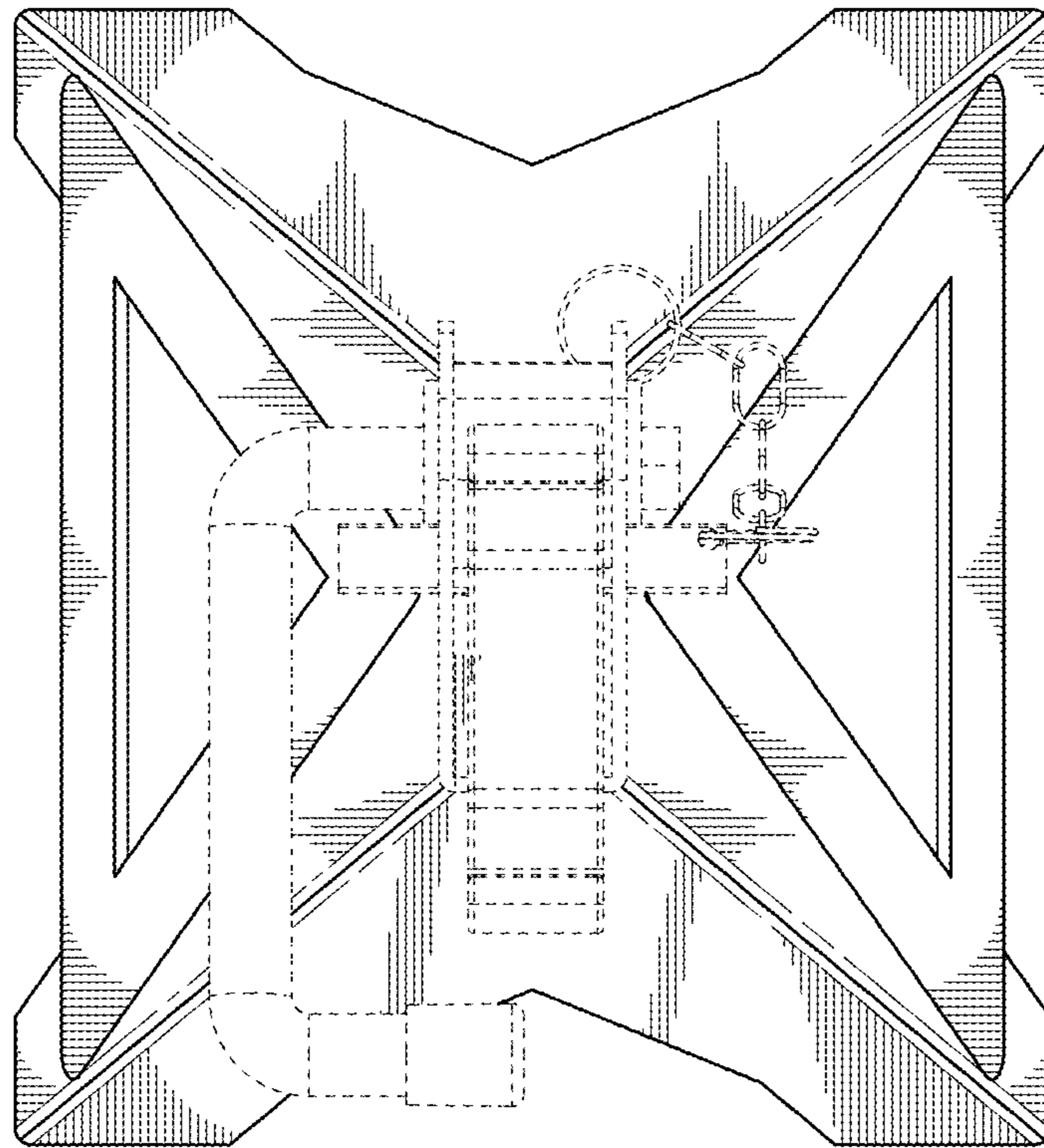


*Fig. 14*

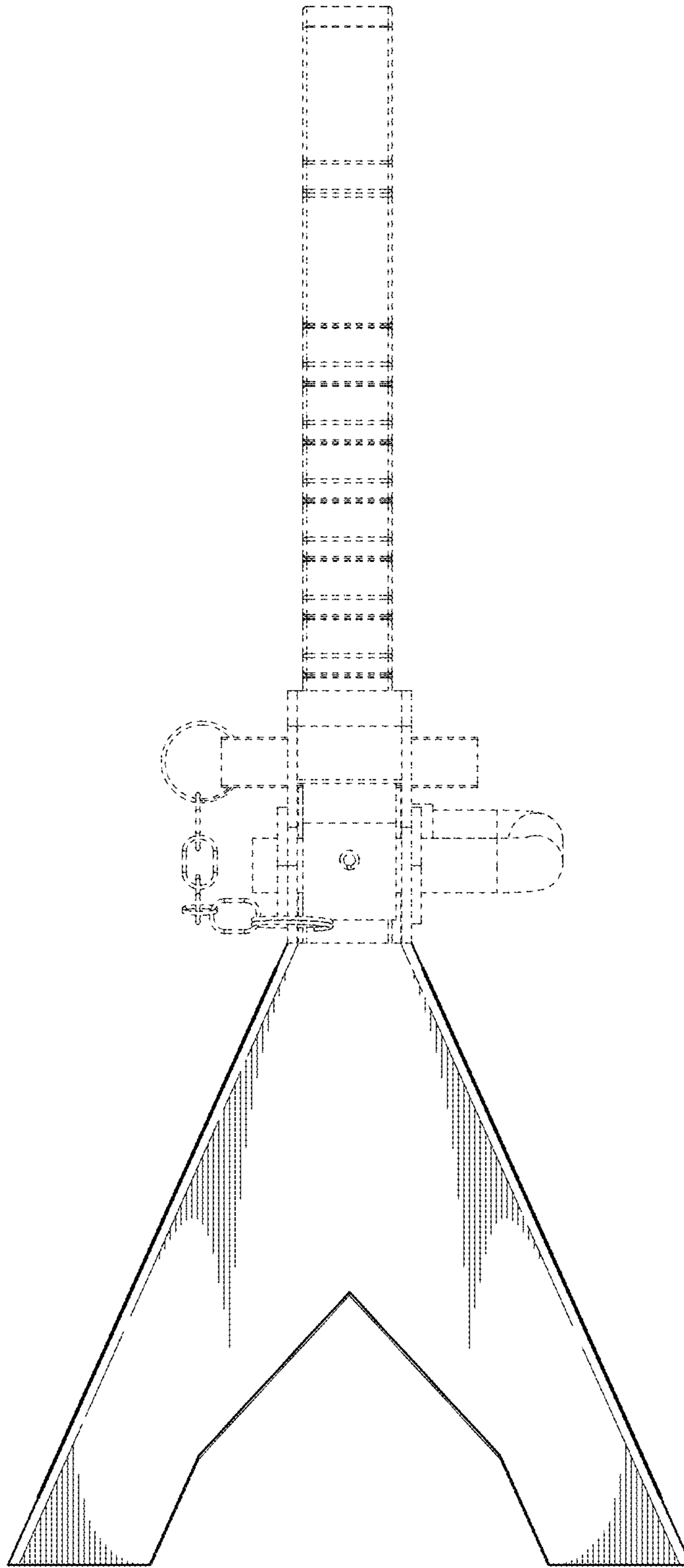




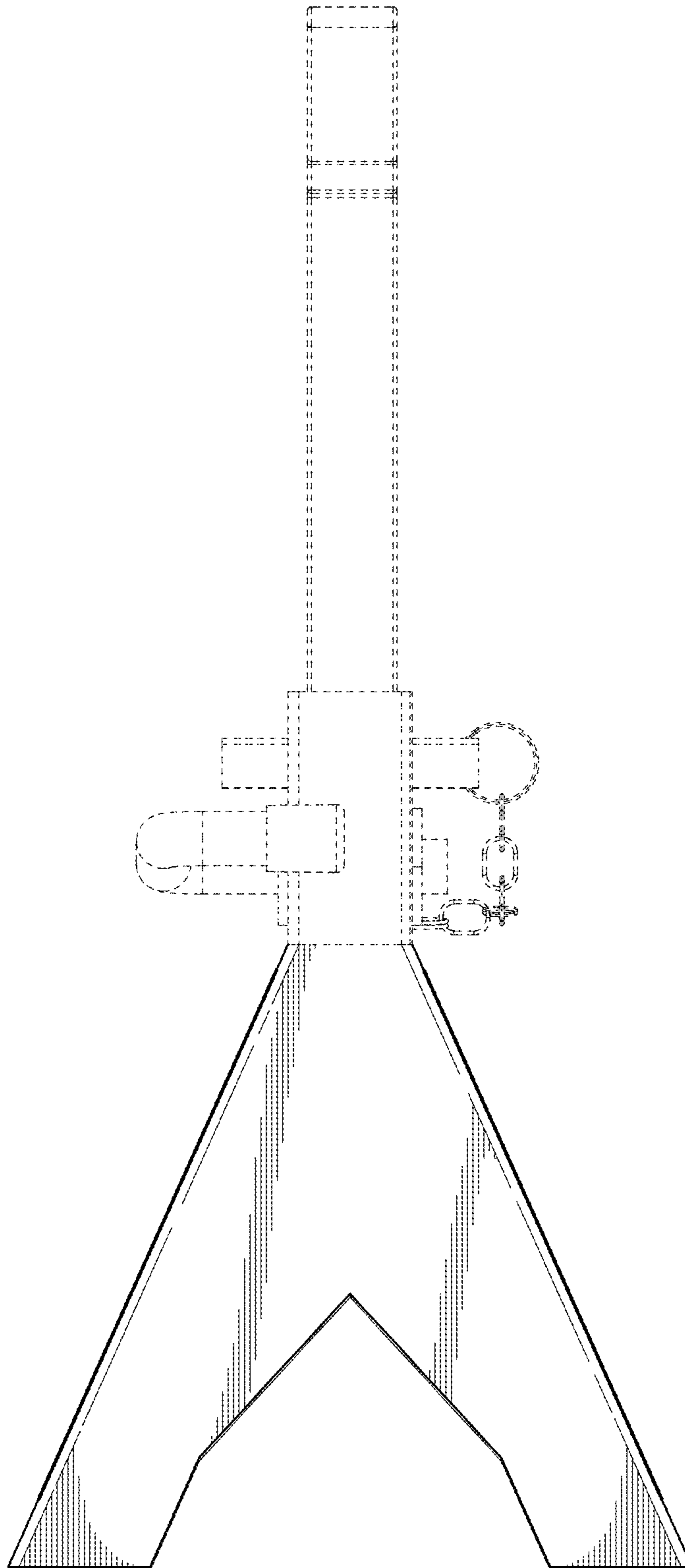
*Fig. 15*



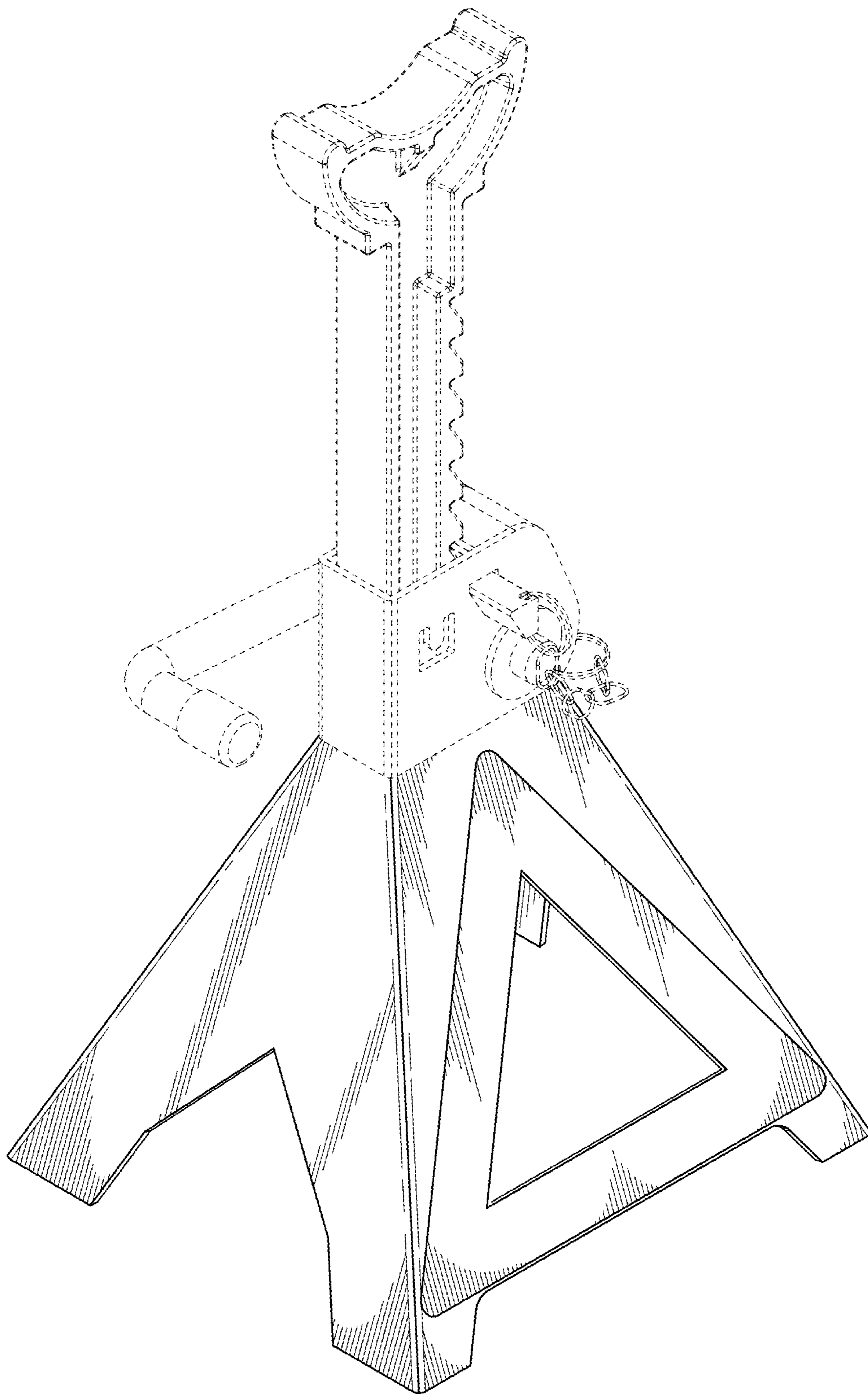
*Fig. 16*



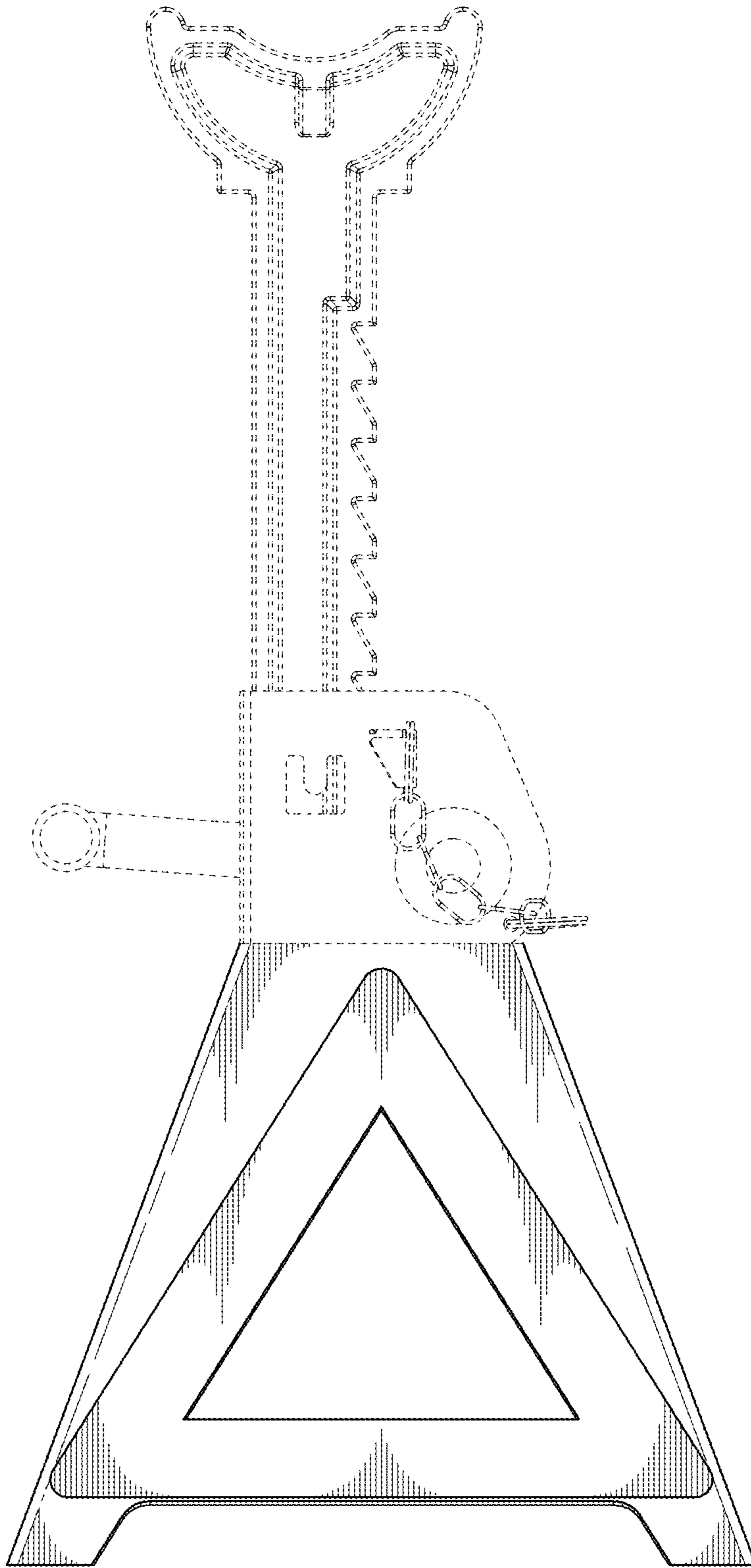
*Fig. 17*



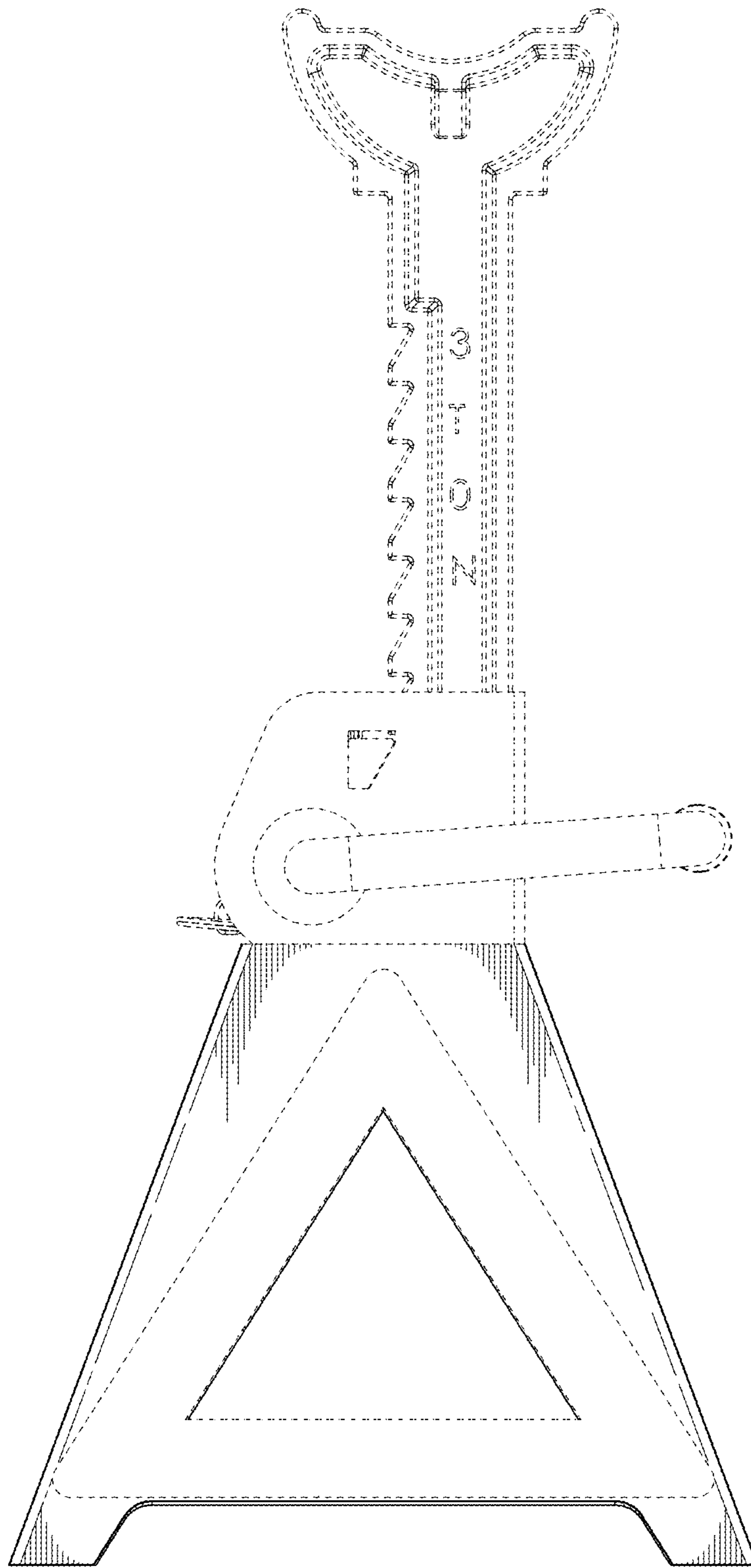
*Fig. 18*



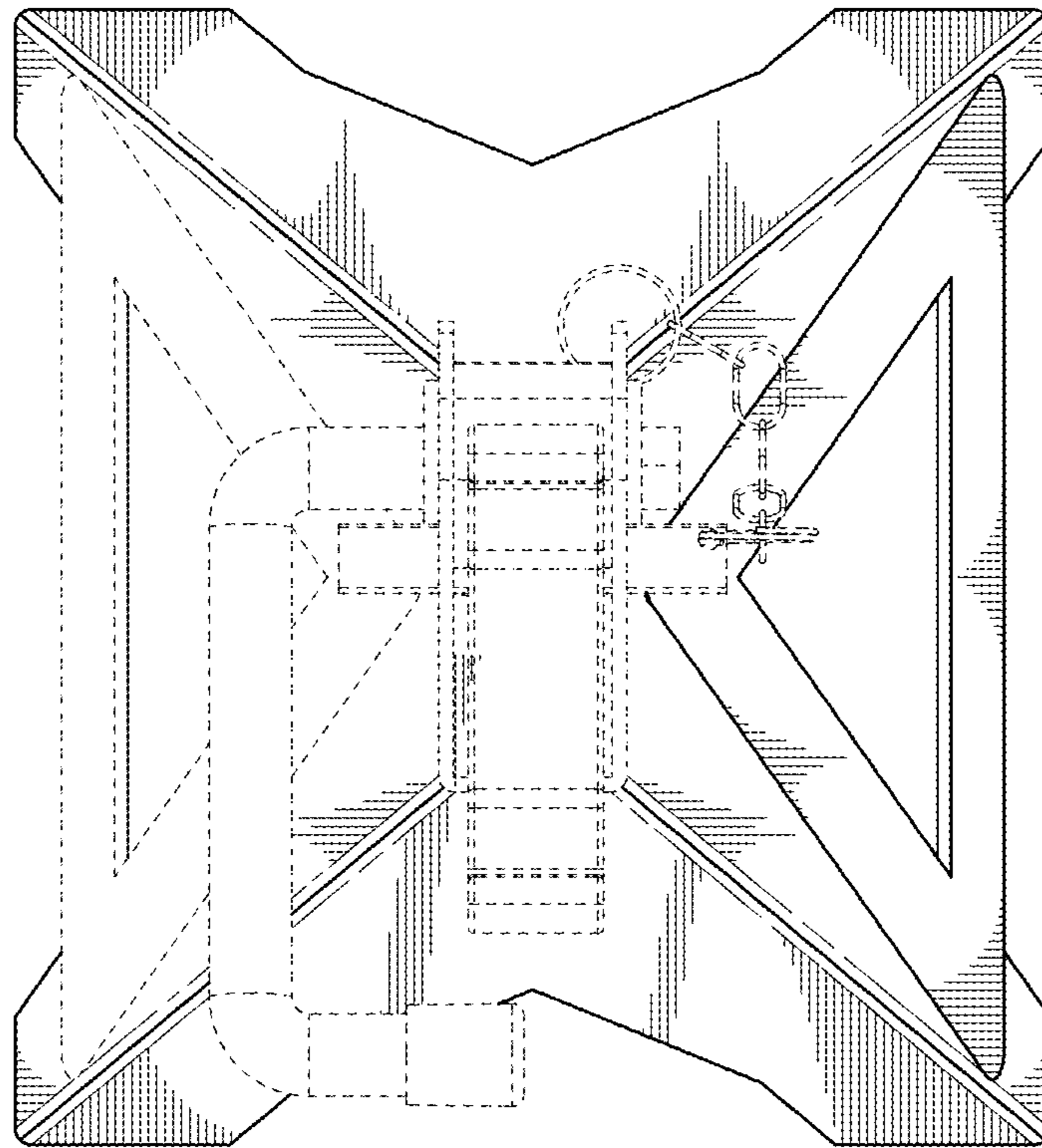
*Fig. 19*



*Fig. 20*

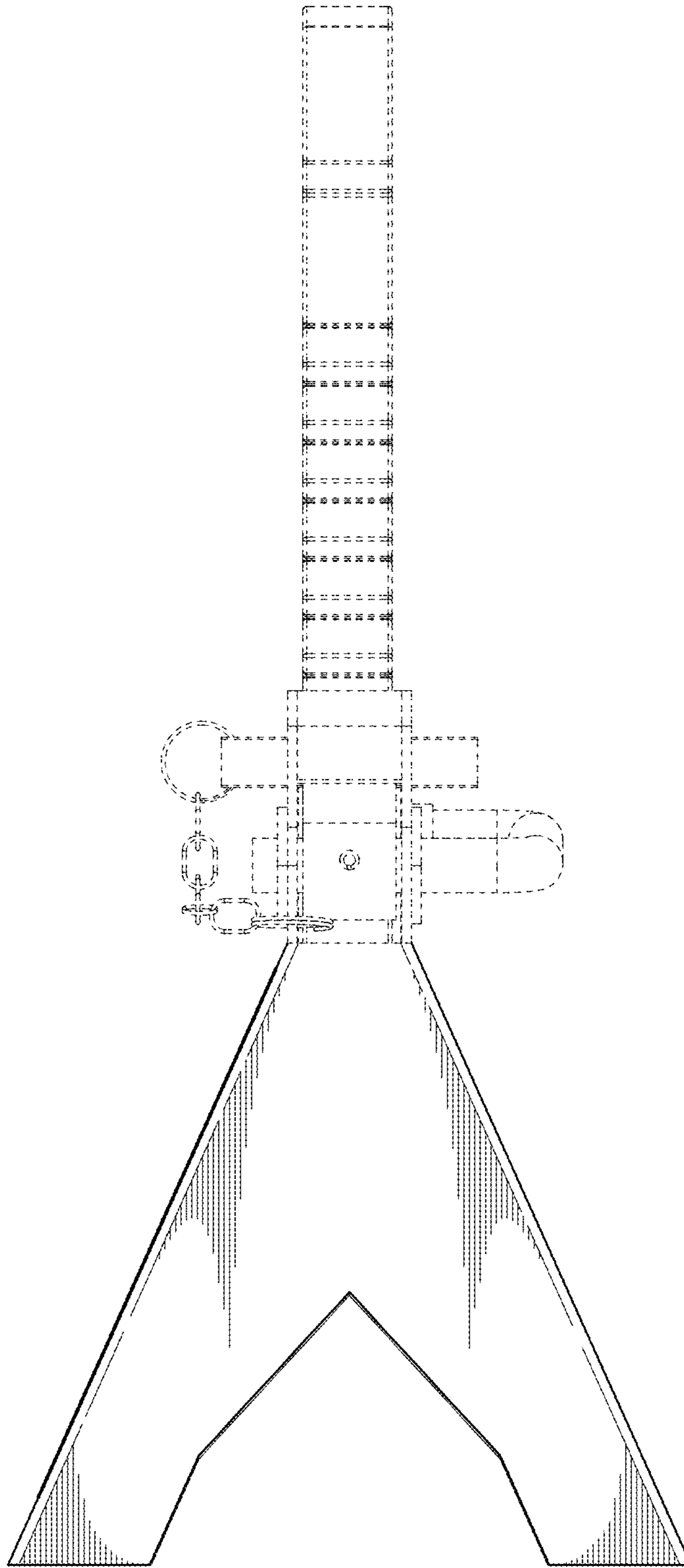


*Fig. 21*

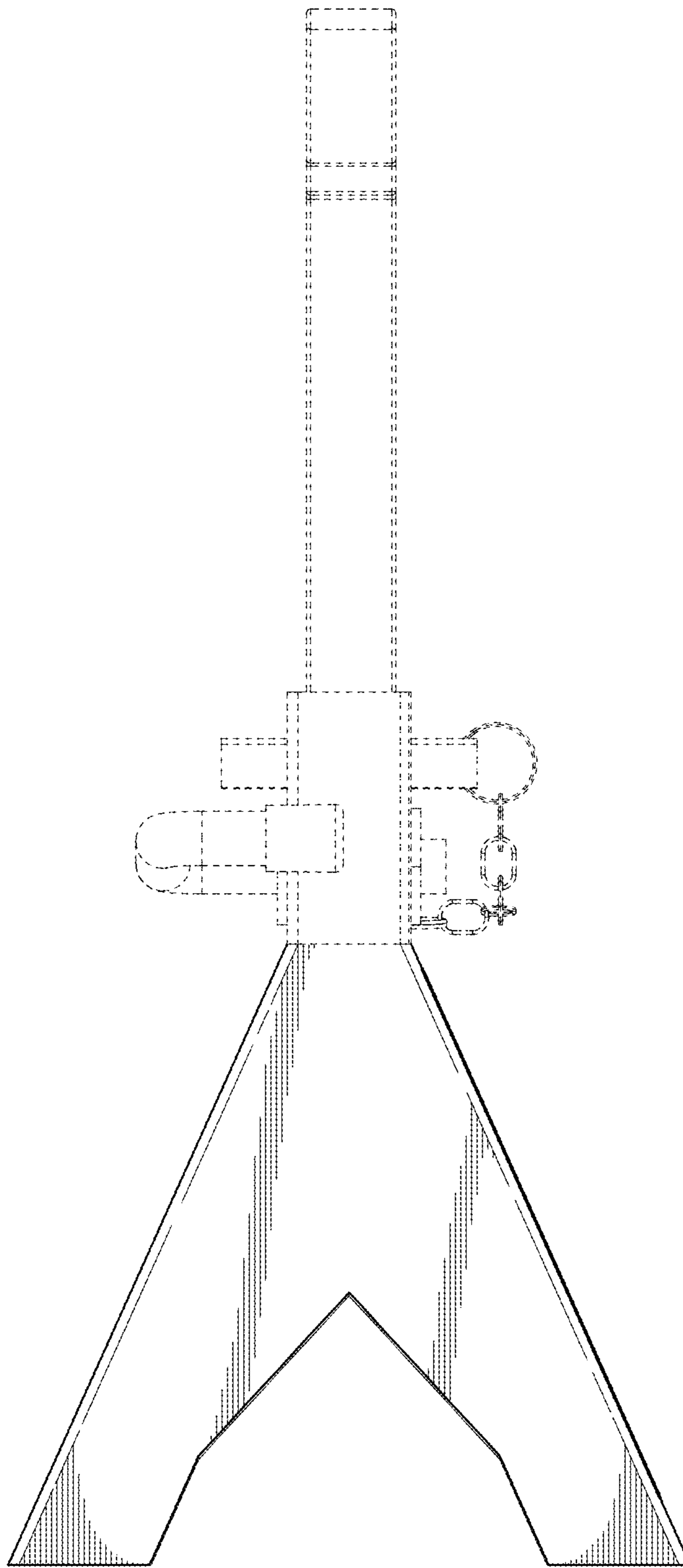


*Fig. 22*





*Fig. 23*



*Fig. 24*