



US00D916415S

(12) **United States Design Patent** (10) **Patent No.:** **US D916,415 S**
Rantanen (45) **Date of Patent:** **** Apr. 13, 2021**

(54) **PAPER ROLL CONVEYOR MODULE**

(71) Applicant: **Mikko Rantanen**, Porvoo (FI)

(72) Inventor: **Mikko Rantanen**, Porvoo (FI)

(73) Assignee: **MoveRoll Oy**, Porvoo (FI)

(**) Term: **15 Years**

(21) Appl. No.: **29/669,646**

(22) Filed: **Nov. 9, 2018**

Related U.S. Application Data

(63) Continuation-in-part of application No. 29/410,873, filed on Jan. 12, 2012, now abandoned.

(51) **LOC (13) Cl.** **12-05**

(52) **U.S. Cl.**
USPC **D34/29**

(58) **Field of Classification Search**
USPC D34/29

CPC B65G 17/08; B65G 43/08; B65G 43/43;
B65G 43/02; B65G 2207/30; B65G
2207/0283; B65G 2207/042; B65G
2203/0283; B65G 2203/042; B65G
2203/045; B65G 2203/0208; B65G 17/24;
B65G 13/02; B65G 13/11

See application file for complete search history.

(56) **References Cited**

U.S. PATENT DOCUMENTS

D312,718	S	*	12/1990	McIlwain	D34/29
5,131,531	A	*	7/1992	Chambers	B65G 21/02 198/841
D333,544	S	*	2/1993	Uehara	D34/29
D353,701	S	*	12/1994	Beavers	D34/28
D422,393	S	*	4/2000	Agtuca	D34/23
D423,748	S	*	4/2000	Neuwirth	D34/29
D502,585	S	*	3/2005	Damkjaer	D34/29
D503,841	S	*	4/2005	Damkjaer	D34/29

7,575,113	B2	*	8/2009	Sedlacek	B01D 33/04 198/850
D665,144	S	*	8/2012	Pedersen	D34/29
8,474,607	B2	*	7/2013	Hall	B65G 17/083 198/851
D828,673	S	*	9/2018	Vroom	D34/29
D867,711	S	*	11/2019	Immerz	D34/29
2007/0221472	A1	*	9/2007	Fourney	B65G 17/24 198/370.03
2012/0217138	A1	*	8/2012	Bogle	A23L 3/003 198/810.01
2014/0008187	A1	*	1/2014	Cornelissen	B65G 15/32 198/853
2014/0326584	A1	*	11/2014	Visconti	B65G 17/08 198/853
2015/0344228	A1	*	12/2015	Westergaard Andersen	B65G 17/18 198/836.1

(Continued)

Primary Examiner — Cynthia Ramirez

(74) *Attorney, Agent, or Firm* — Bay State IP, LLC

(57) **CLAIM**

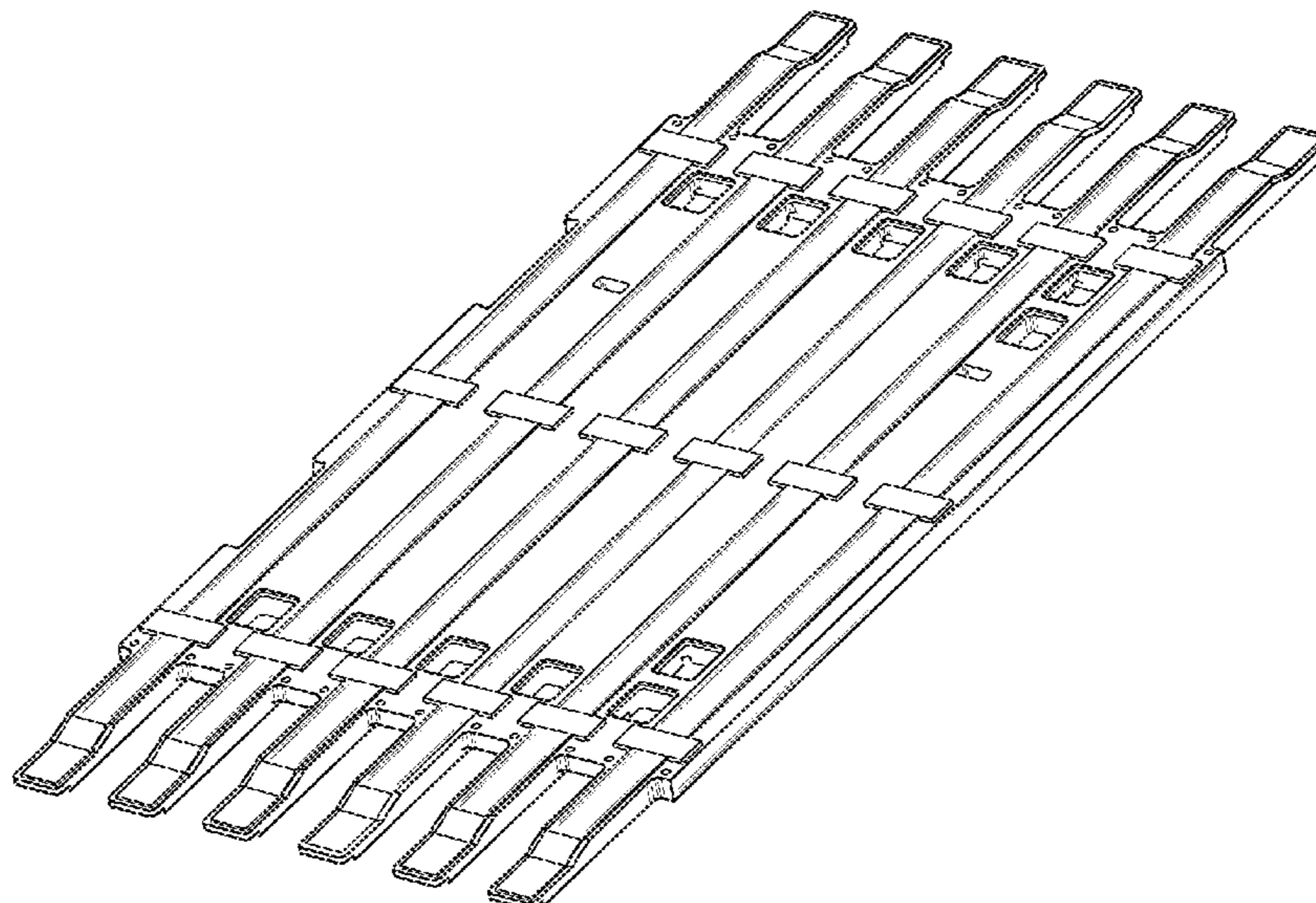
I claim the ornamental design for a paper roll conveyor module, as shown and described.

DESCRIPTION

FIG. 1 is a front top left perspective view showing my new design;
FIG. 2 is a back top left perspective view thereof;
FIG. 3 is a back top right perspective view thereof;
FIG. 4 is a top view thereof;
FIG. 5 is a bottom view thereof;
FIG. 6 is a left side view thereof;
FIG. 7 is a right side view thereof;
FIG. 8 is a front view thereof; and,
FIG. 9 is a back view thereof.

The broken lines shown in the figures are included for the purpose of illustrating portions of the paper roll conveyor module that form no part of the claimed design.

1 Claim, 5 Drawing Sheets



(56)

References Cited

U.S. PATENT DOCUMENTS

2018/0354726 A1* 12/2018 Kleczewski G01L 1/146
2019/0135545 A1* 5/2019 Felix B65G 17/34
2020/0079592 A1* 3/2020 Messick, Jr. B65G 17/06

* cited by examiner

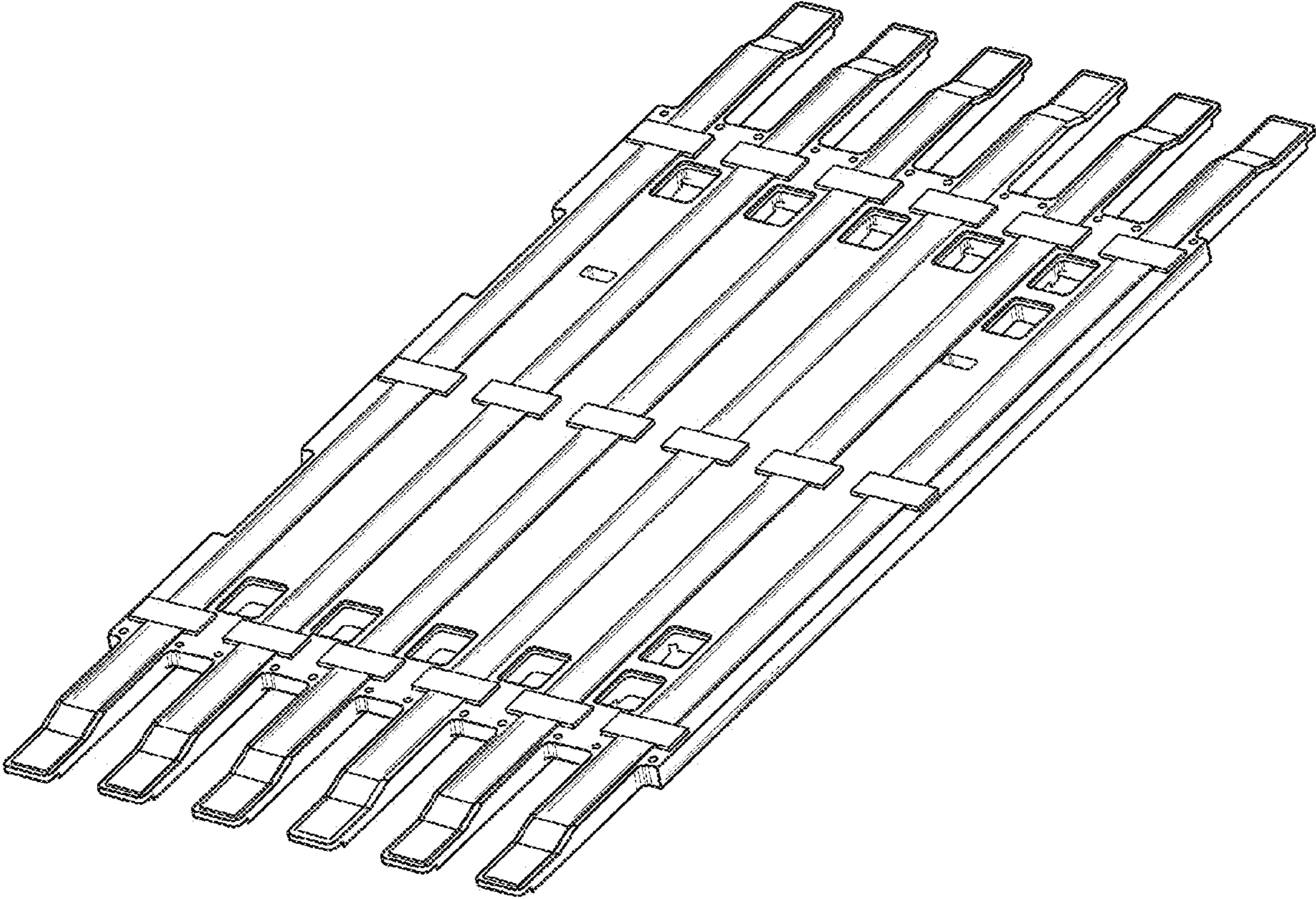


Fig. 1

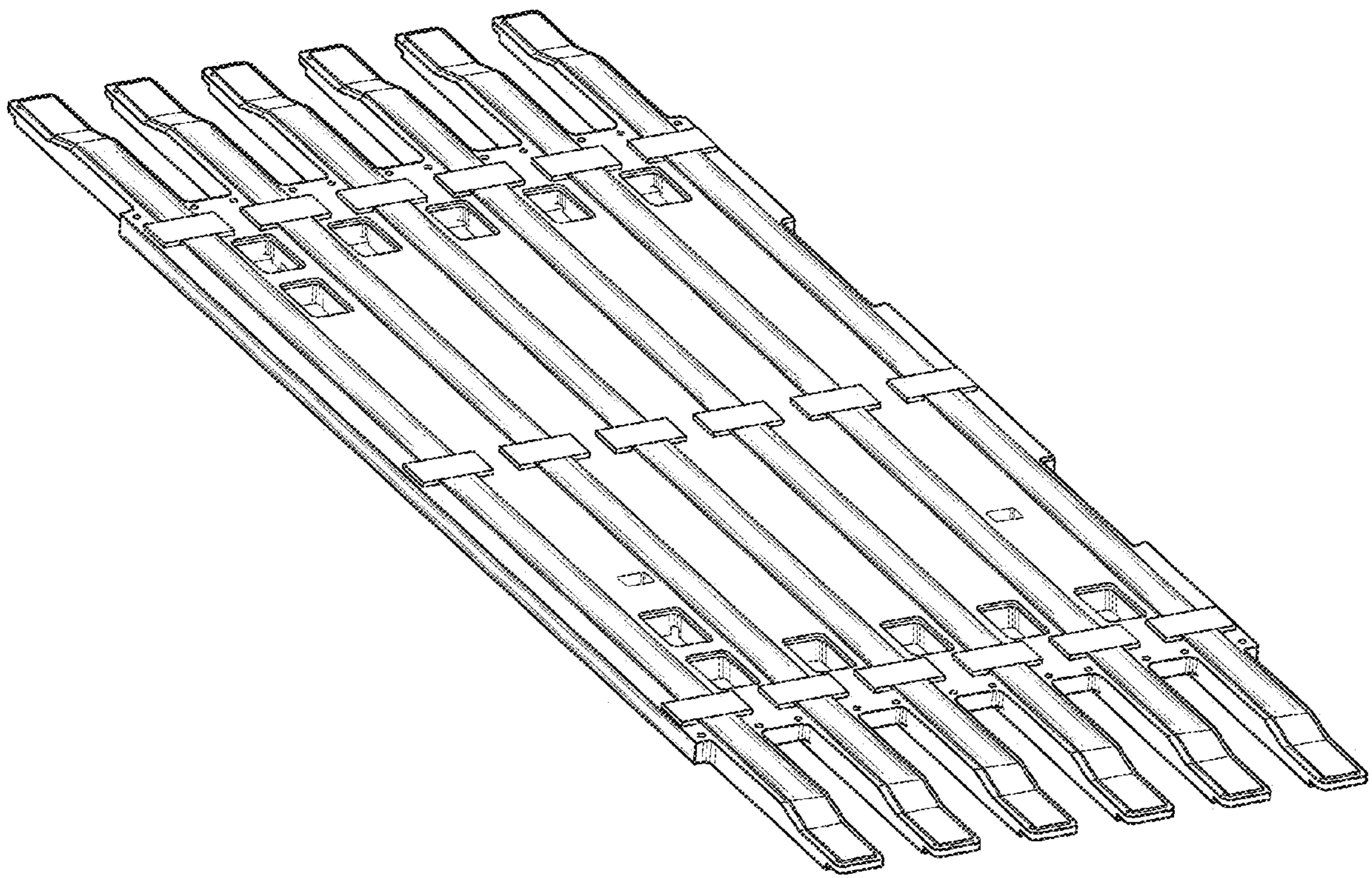


Fig. 2

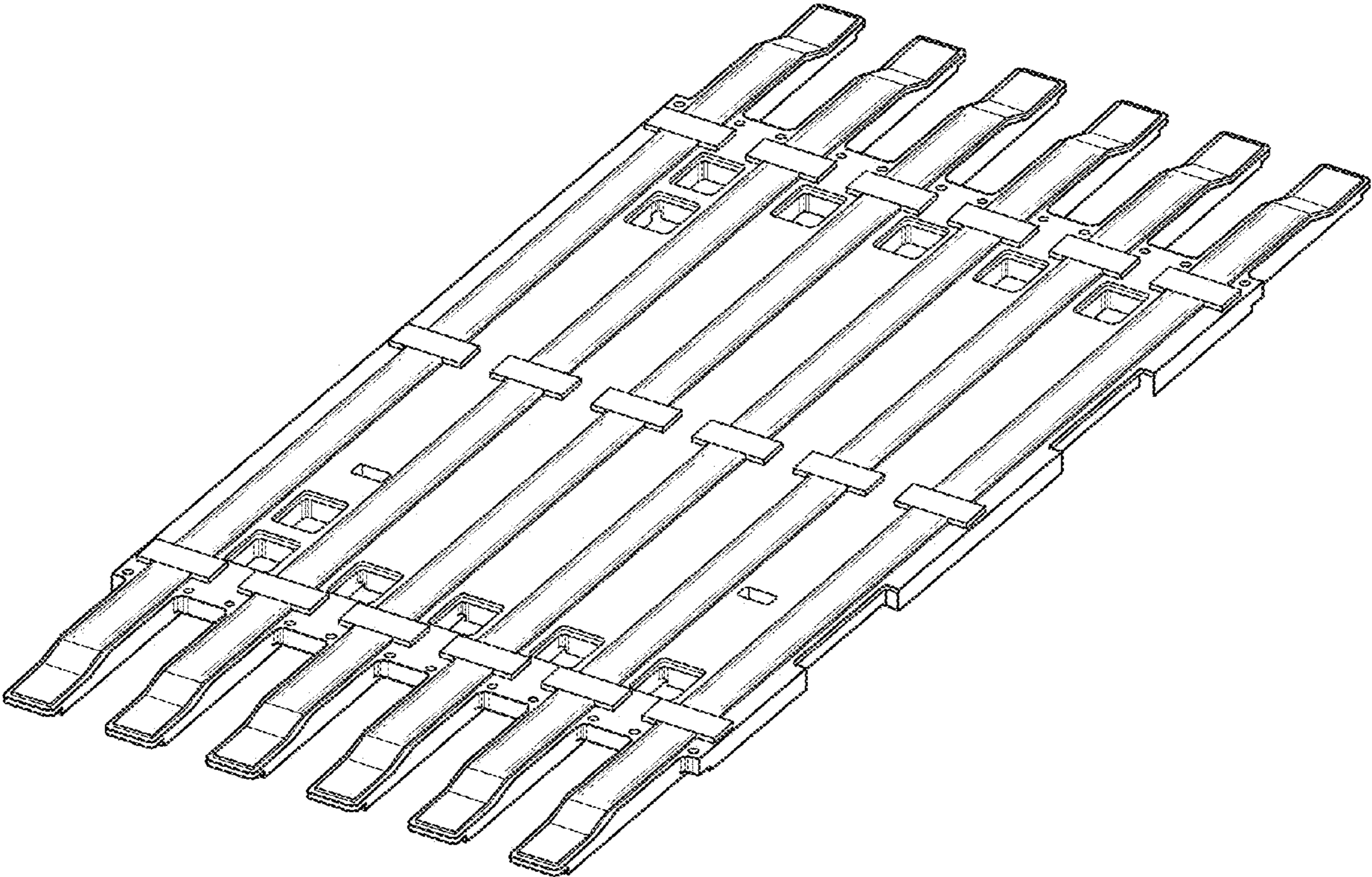


Fig. 3

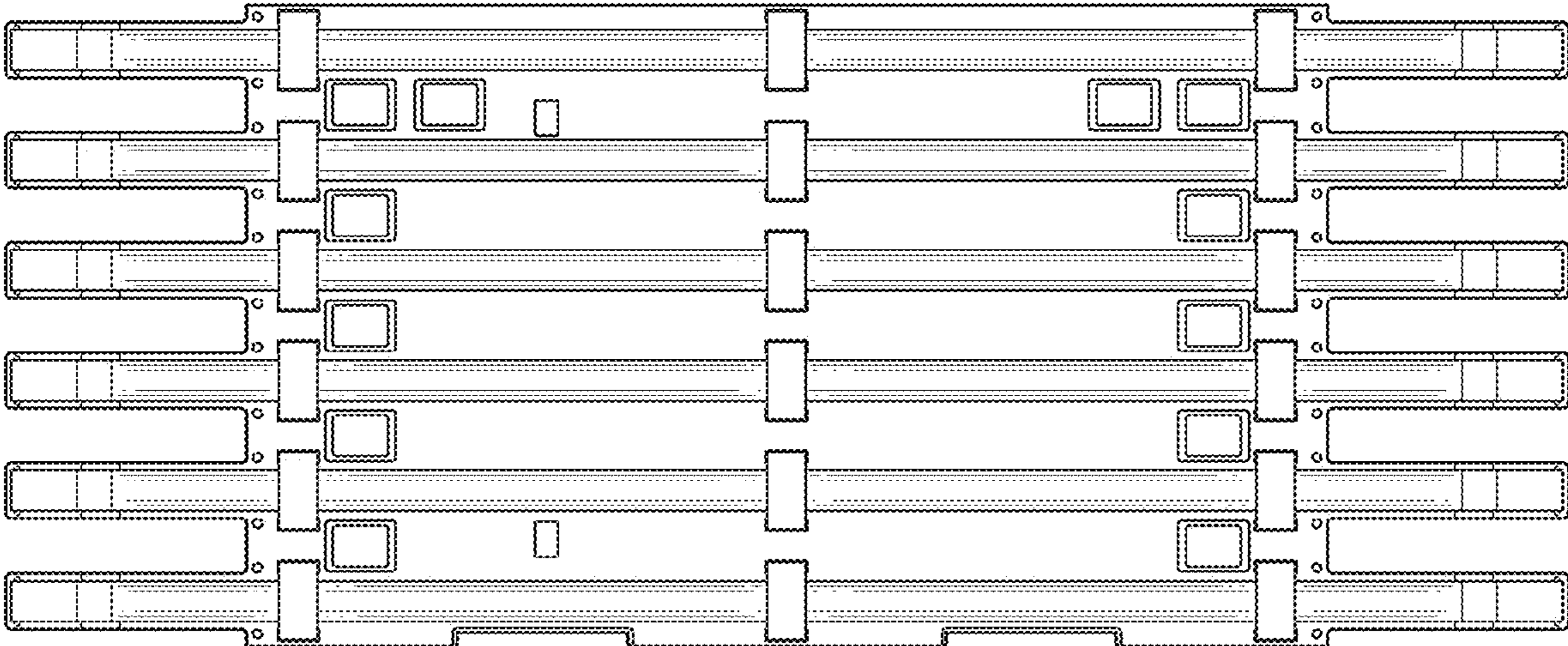


Fig. 4

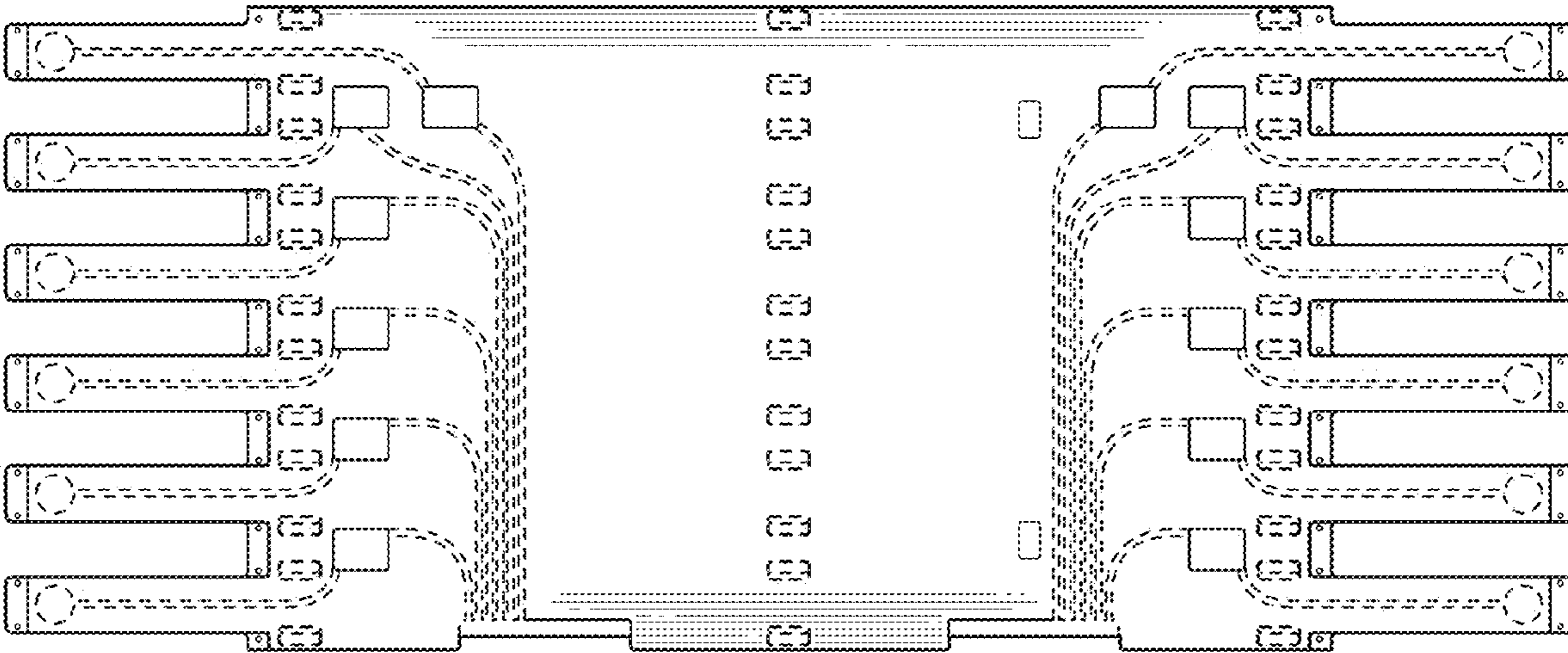


Fig. 5



Fig. 6

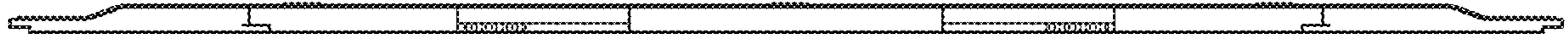


Fig. 7

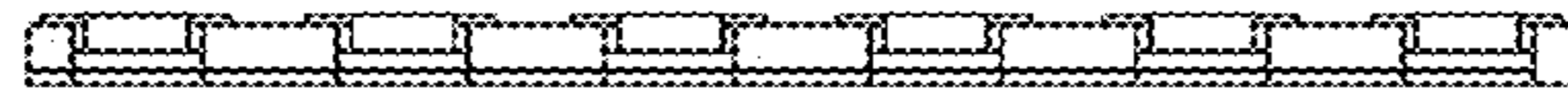


Fig. 8



Fig. 9