



US00D916414S

(12) **United States Design Patent** (10) **Patent No.:** **US D916,414 S**
Barness (45) **Date of Patent:** **** *Apr. 13, 2021**

(54) **PROTECTIVE LINER FOR SHOPPING CART**

Primary Examiner — Cynthia Ramirez

(71) Applicant: **Safe Products LLC**, Scottsdale, AZ
(US)

(74) *Attorney, Agent, or Firm* — Thomas W. Galvani,
P.C.; Thomas W. Galvani

(72) Inventor: **Andrea L. Barness**, Scottsdale, AZ
(US)

(57) **CLAIM**

(*) Notice: This patent is subject to a terminal disclaimer.

The ornamental design for a protective liner for shopping cart, as shown and described.

(**) Term: **15 Years**

DESCRIPTION

(21) Appl. No.: **29/741,344**

(22) Filed: **Jul. 12, 2020**

Related U.S. Application Data

(63) Continuation-in-part of application No. 29/731,939,
filed on Apr. 20, 2020, now Pat. No. Des. 890,465,
(Continued)

(51) **LOC (13) Cl.** **12-02**

(52) **U.S. Cl.**
USPC **D34/27**

(58) **Field of Classification Search**
USPC D34/27

(Continued)

(56) **References Cited**

U.S. PATENT DOCUMENTS

3,578,380 A 5/1971 Jacobus
5,238,293 A 8/1993 Gibson

(Continued)

FOREIGN PATENT DOCUMENTS

DE 202013004899 U1 10/2013
FR 2758119 A1 7/1998

OTHER PUBLICATIONS

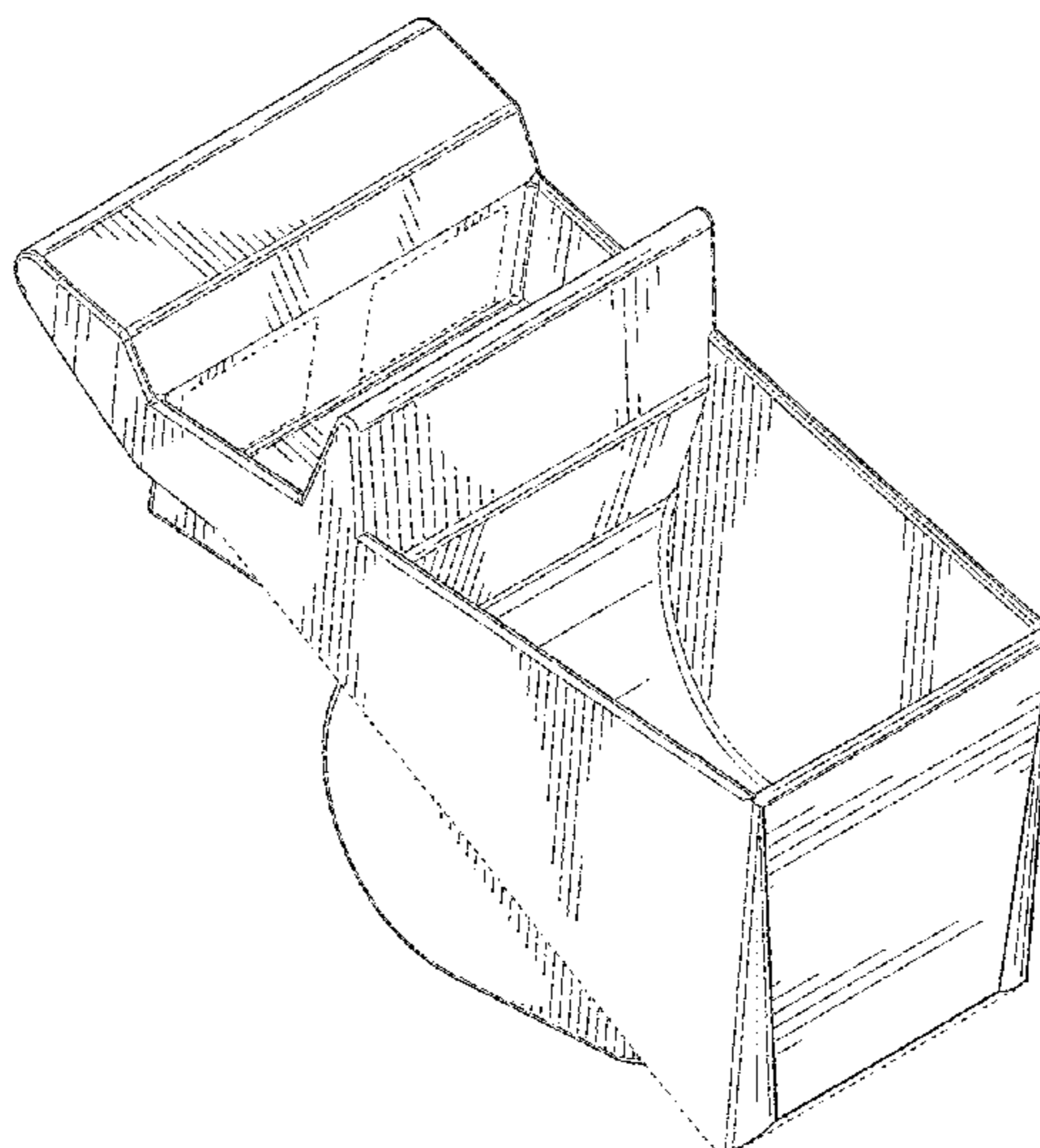
Babygadget_ Buggy Bagg (http://www.babygadget.net/2006/08/buggy_bagg.php).

(Continued)

FIG. 1 is a front top perspective view of a protective liner for shopping cart shown in accordance with my new design; FIG. 2 is a front bottom perspective view of the protective liner for shopping cart shown in FIG. 1; FIG. 3 is a rear top perspective view of the protective liner for shopping cart shown in FIG. 1; FIG. 4 is a rear bottom perspective view of the protective liner for shopping cart shown in FIG. 1; FIG. 5 is another rear bottom perspective view of the protective liner for shopping cart shown in FIG. 1; FIG. 6 is a front elevation view of the protective liner for shopping cart shown in FIG. 1; FIG. 7 is a rear elevation view of the protective liner for shopping cart shown in FIG. 1; FIG. 8 is a left side elevation view of the protective liner for shopping cart shown in FIG. 1; FIG. 9 is a right side elevation view of the protective liner for shopping cart shown in FIG. 1; FIG. 10 is a top plan view of the protective liner for shopping cart shown in FIG. 1; FIG. 11 is a bottom plan view of the protective liner for shopping cart shown in FIG. 1; and, FIG. 12 is a front top perspective view of the protective liner for shopping cart shown in FIG. 1, applied to a shopping cart.

The broken lines in the figures define the bounds of the claimed design and form no part thereof. The cart shown in broken lines in FIG. 12 show environment and form no part of the claimed design.

1 Claim, 9 Drawing Sheets



Related U.S. Application Data

and a continuation-in-part of application No. 29/731, 790, filed on Apr. 17, 2020, now Pat. No. Des. 890,464.

(58) **Field of Classification Search**

CPC B62B 5/069; B62B 5/0013; B62B 3/1448; B62B 3/1436; B62B 3/1416

See application file for complete search history.

(56) **References Cited**

U.S. PATENT DOCUMENTS

5,678,888	A	10/1997	Sowell et al.	
D398,128	S	9/1998	Laivins et al.	
5,829,835	A	11/1998	Rogers et al.	
6,129,417	A	10/2000	Cohen-Fyffe	
6,237,998	B1	5/2001	Aprile	
6,491,996	B2	12/2002	Digangi	
6,517,155	B1	2/2003	Landine	
D477,717	S	7/2003	Gillenwater	
D484,665	S	12/2003	Richardson	
6,702,381	B2	3/2004	Endicott et al.	
D492,830	S	7/2004	Rogers	
6,848,743	B1	2/2005	Collins	
6,851,750	B2	2/2005	Sampson et al.	
7,100,982	B2	9/2006	Lundgren	
7,367,621	B1	5/2008	Han-Dressor et al.	
7,374,182	B2	5/2008	Gurley et al.	
D582,451	S *	12/2008	Davies D15/199	
D590,567	S	4/2009	Latham	
8,042,869	B2	10/2011	McClintock et al.	
8,113,580	B1	2/2012	Pusateri	
D672,932	S	12/2012	Fredendall et al.	
D672,933	S	12/2012	Fredendall et al.	

D677,851	S	3/2013	Harris	
D681,900	S	5/2013	Fredendall et al.	
8,807,578	B1	8/2014	Huguley	
D732,784	S	6/2015	Halsted	
D748,884	S	2/2016	Evans et al.	
D852,451	S	6/2019	Falato	
D882,970	S	5/2020	Matsuyama	
D890,464	S *	7/2020	Barness D34/27	
D890,465	S *	7/2020	Barness D34/27	
2004/0160097	A1	8/2004	Magnusdottir	
2008/0258528	A1	10/2008	Bush et al.	
2010/0001480	A1	1/2010	Forde	
2011/0012404	A1	1/2011	Cariera	
2011/0285098	A1	11/2011	Fragale	
2016/0129927	A1	5/2016	Russell et al.	
2017/0129521	A1	5/2017	Conroy et al.	
2017/0291627	A1	10/2017	Grimmond-Schultz	

OTHER PUBLICATIONS

Balboa Baby Shopping Cart Cover (<https://goodbuygear.com/collections/shop-all/products/balboa-baby-shopping-cart-cover-2>).

Clean Cart Cover grocery cart liner protect you and your family _ Clean Cart Cover—A Safer Way to Shop (<https://cleancartcover.com/products/clean-cart-cover>).

McCall's M5409 Infant's Shopping Cart Liner Size_ One Uncut Sewing Pattern (<https://pattern-walk.com/product/mccalls-m5409-infants-shopping-cart-liner-size-one-uncut-sewing-pattern/>).

Nylon Basket Liner for R&B Wire Large Capacity Laundry Cart (<https://www.rehabmart.com/product/nylon-basket-liner-for-large-capacity-laundry-cart-28897.html>).

Shopping_ Etsy (<https://www.etsy.com/il-en/listing/569981687/on-salesshopping-trolley-coverrolley>).

* cited by examiner

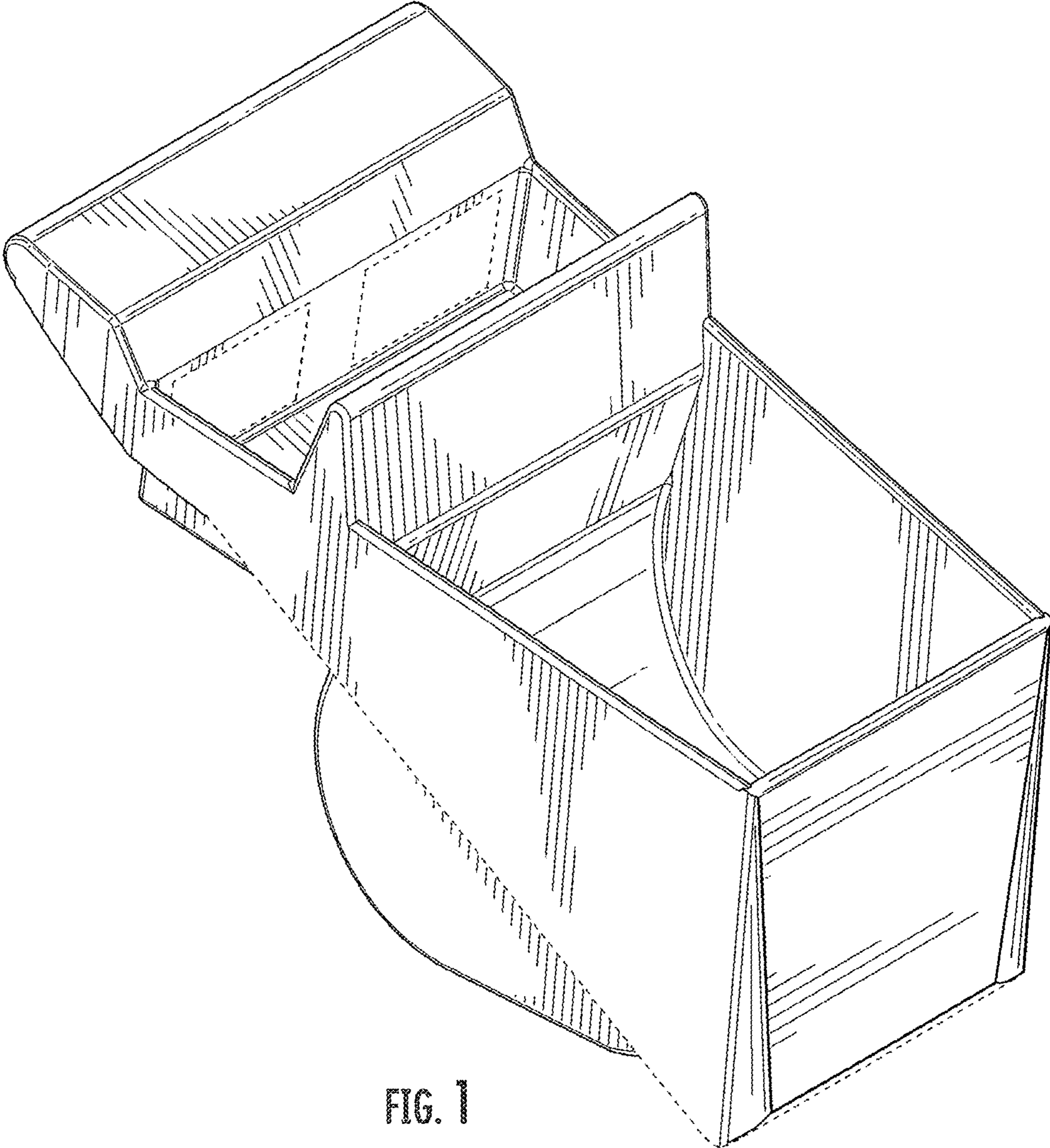


FIG. 1

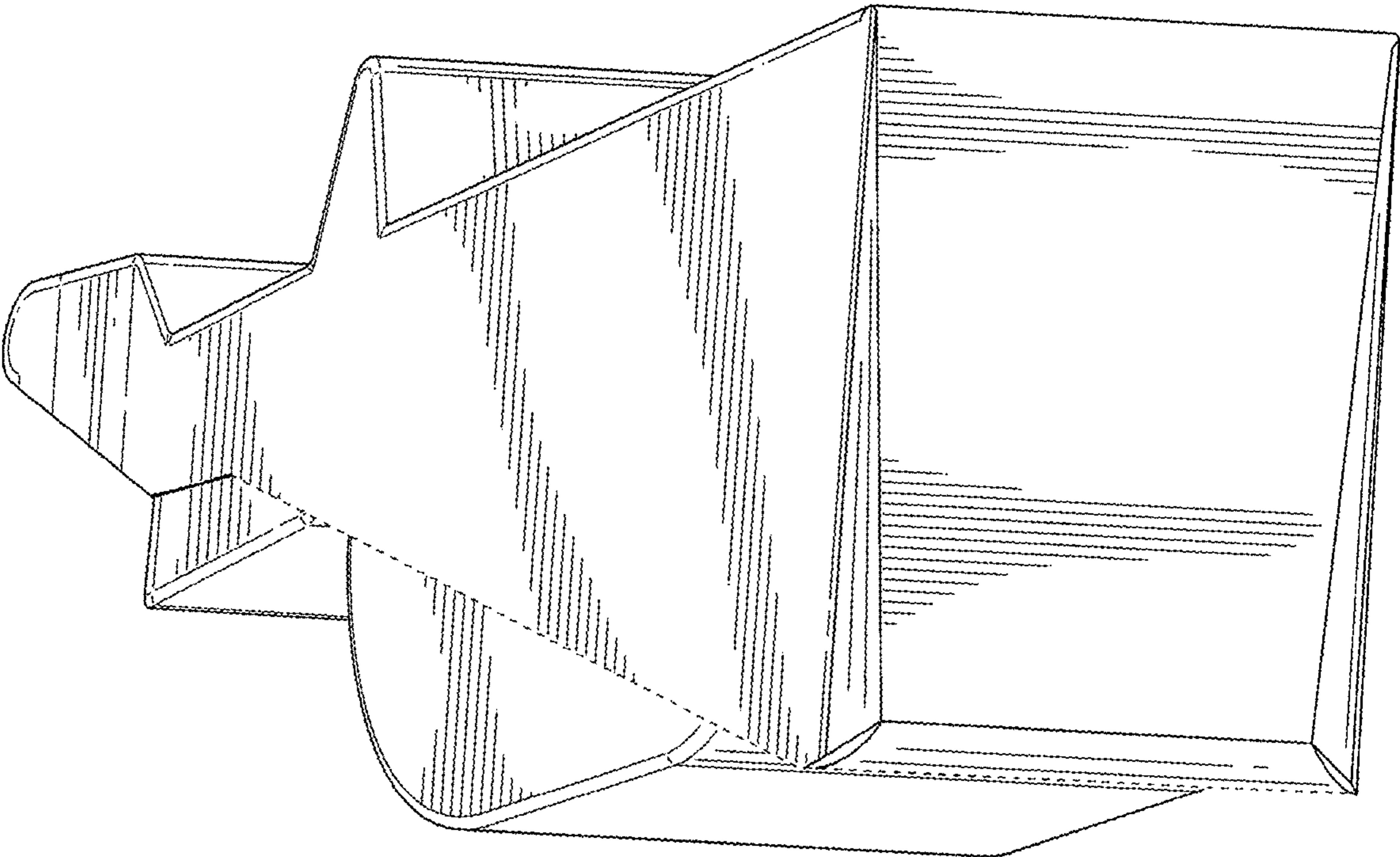


FIG. 2

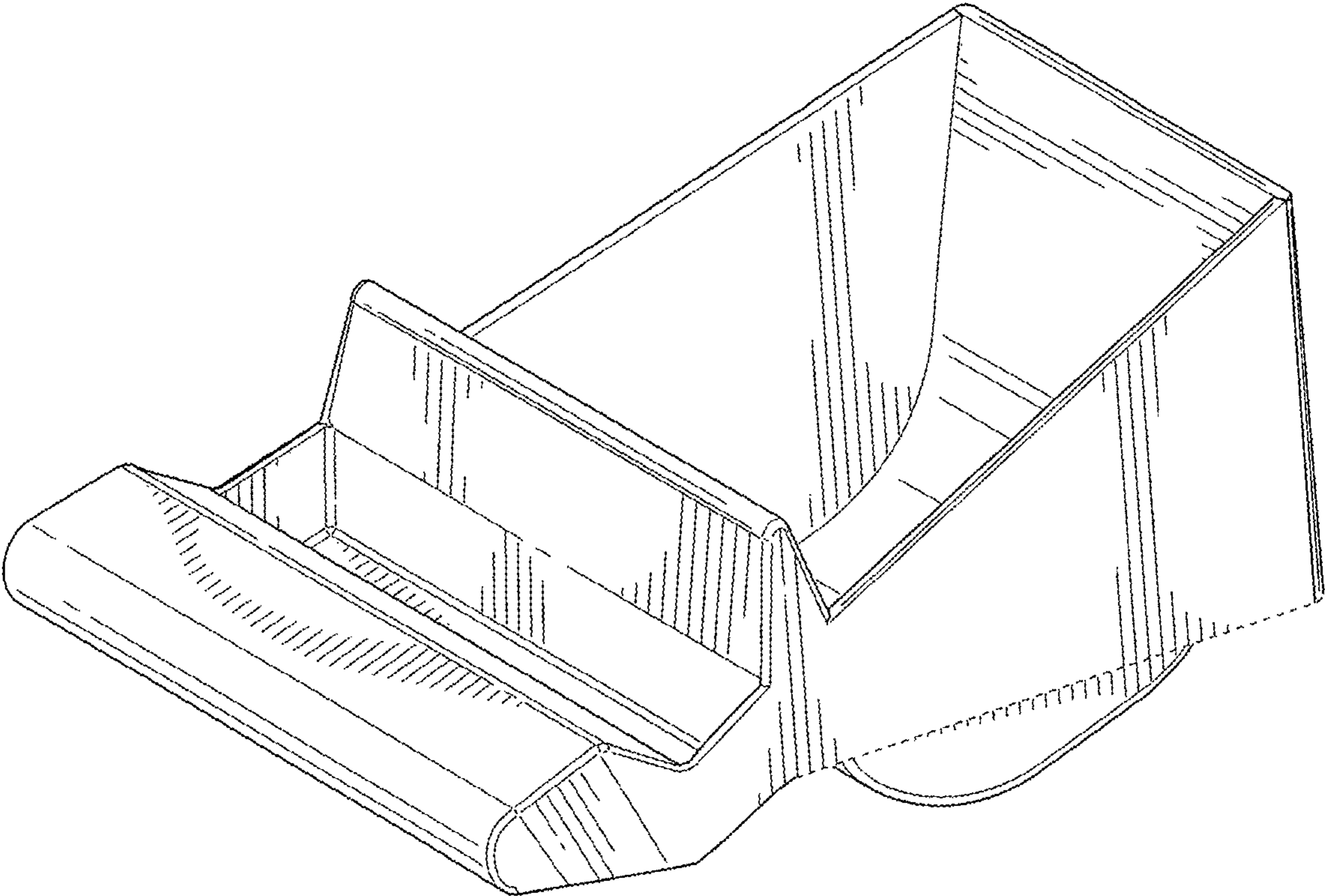


FIG. 3

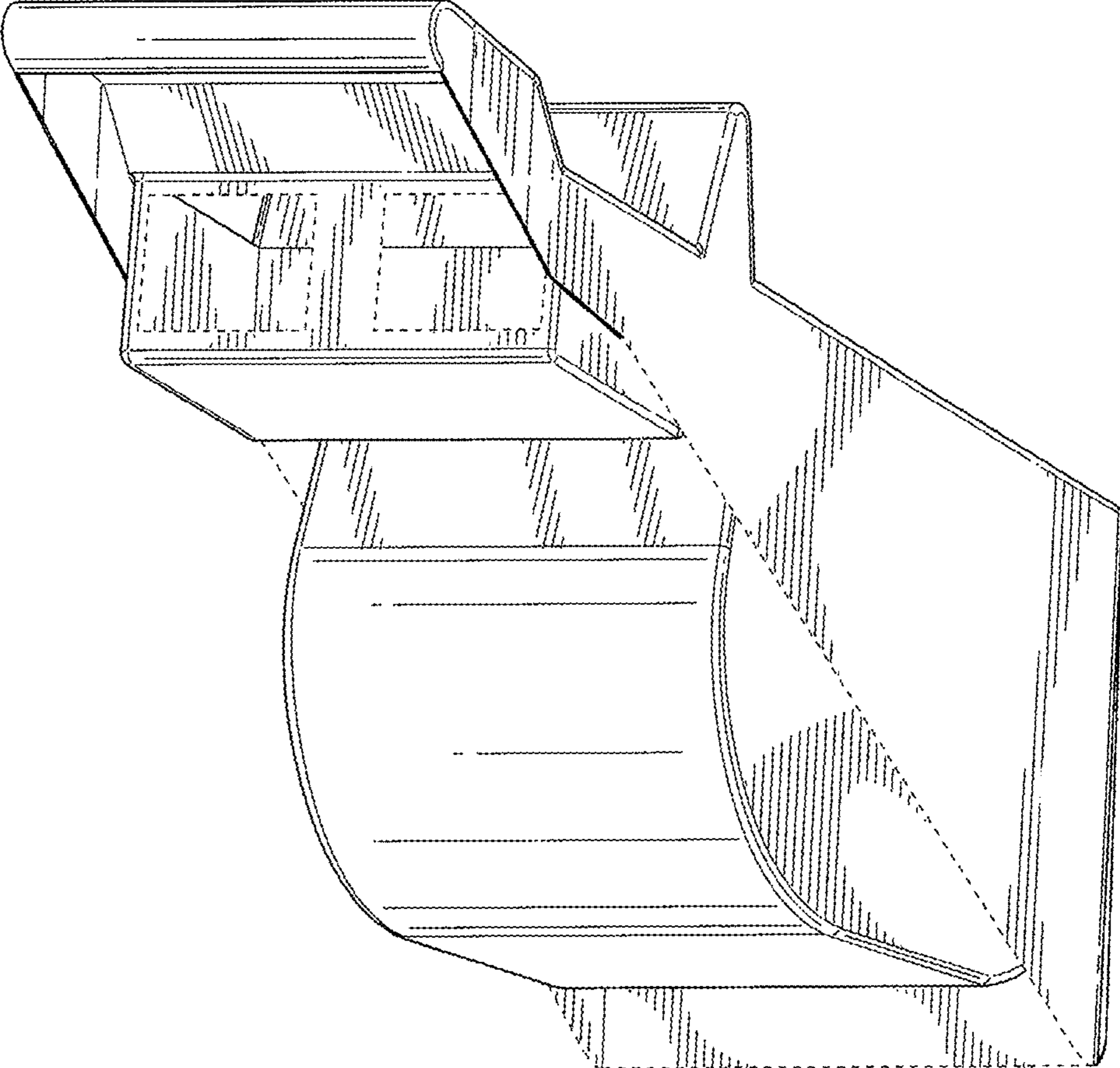


FIG. 4

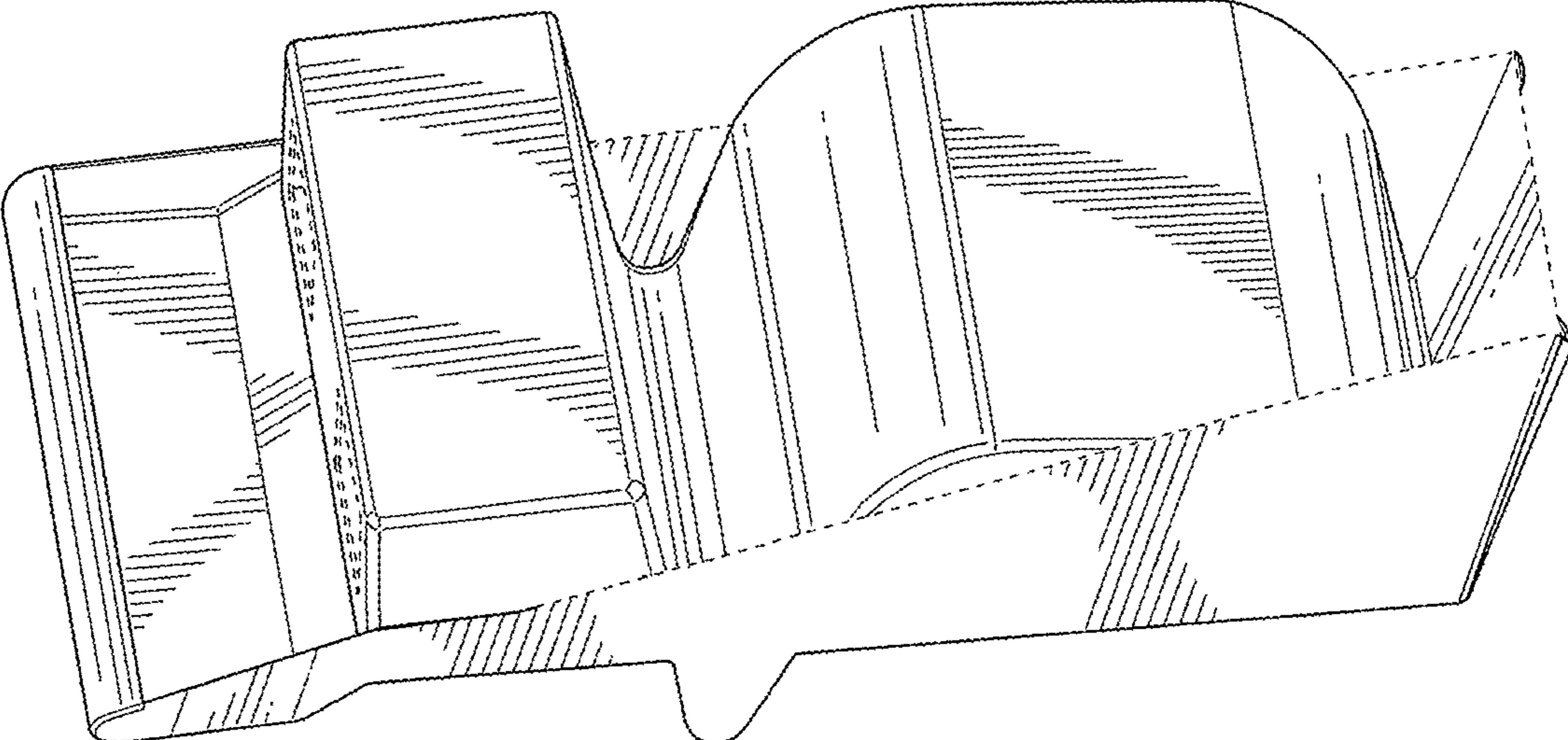


FIG. 5

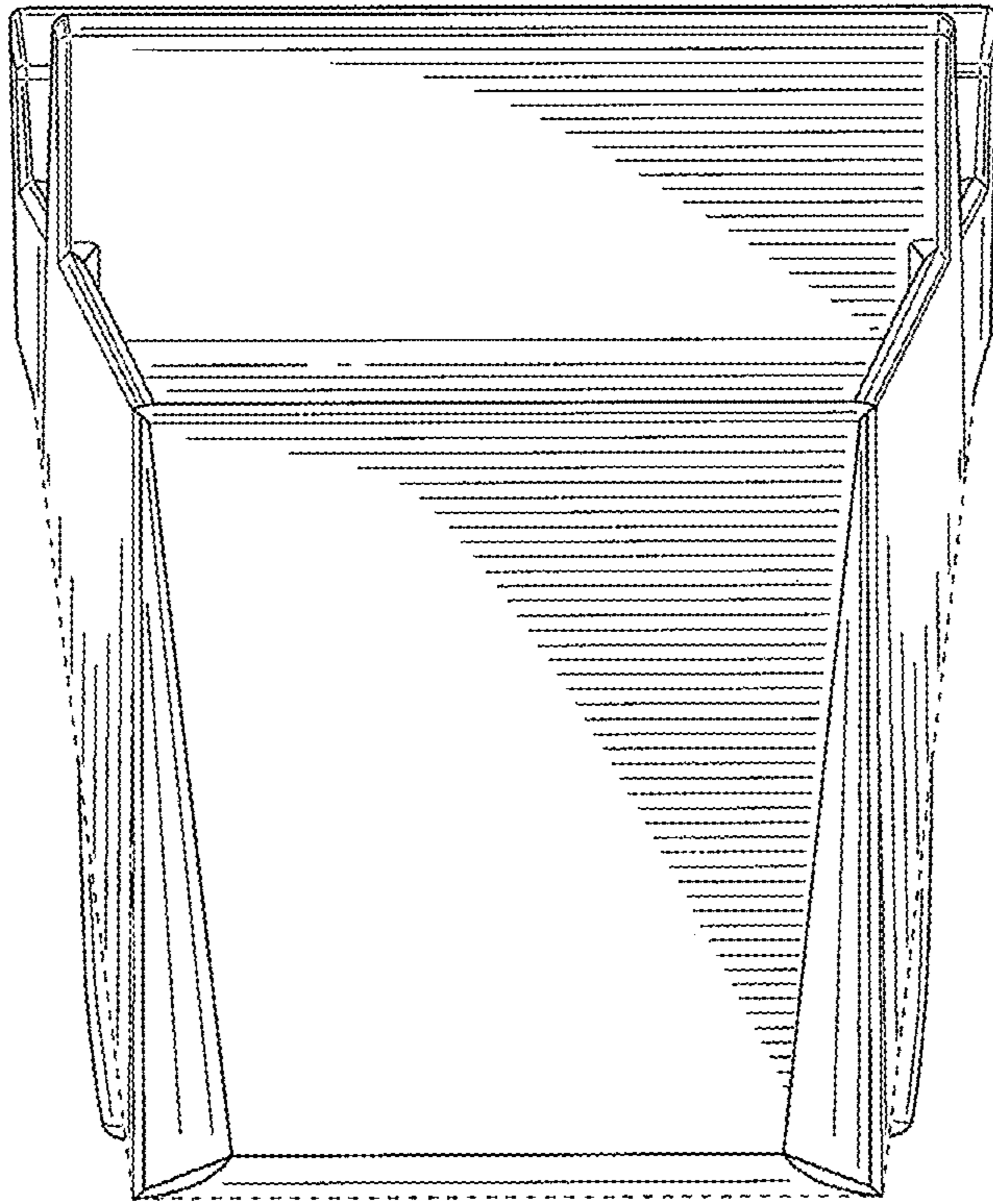


FIG. 6

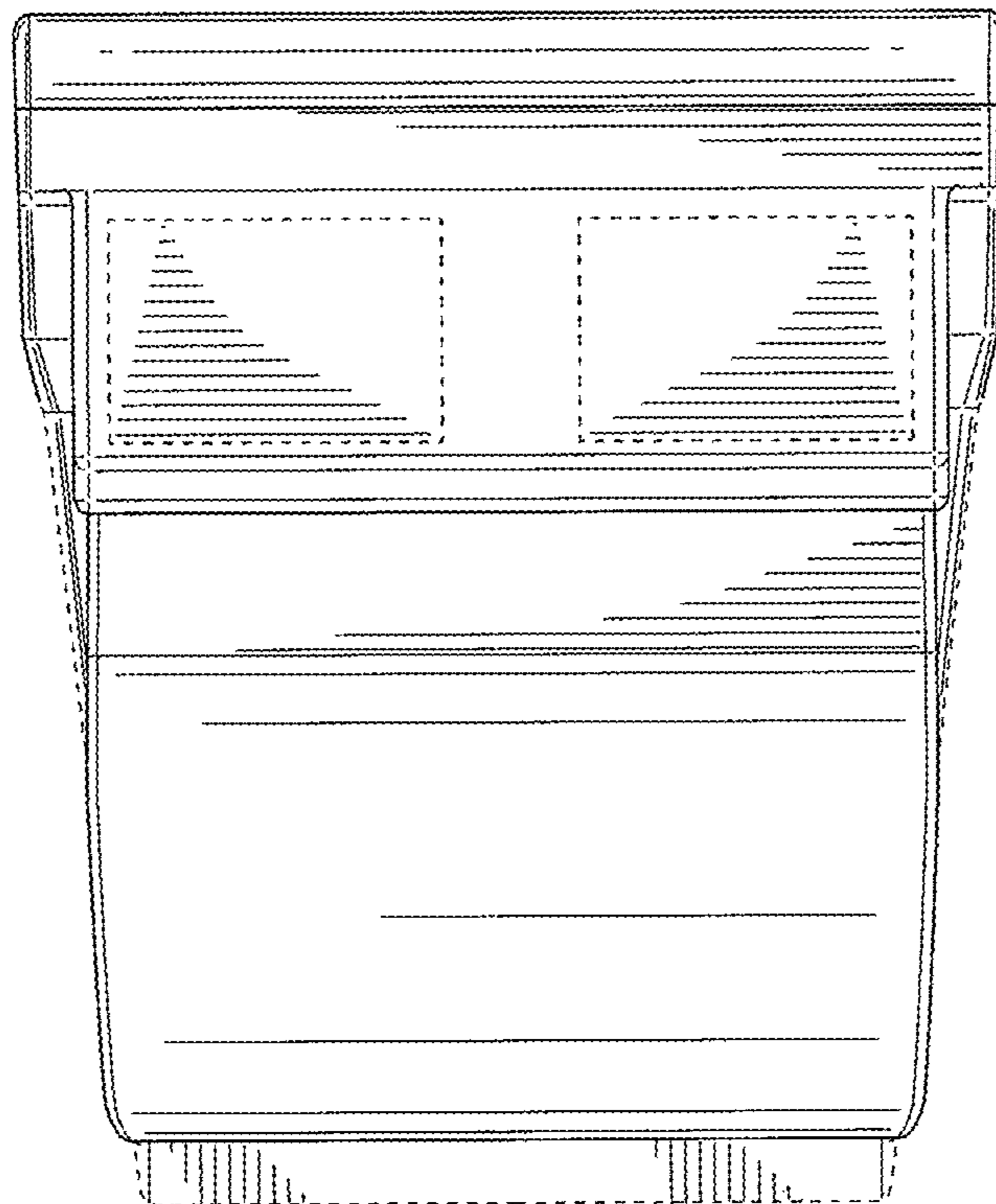


FIG. 7

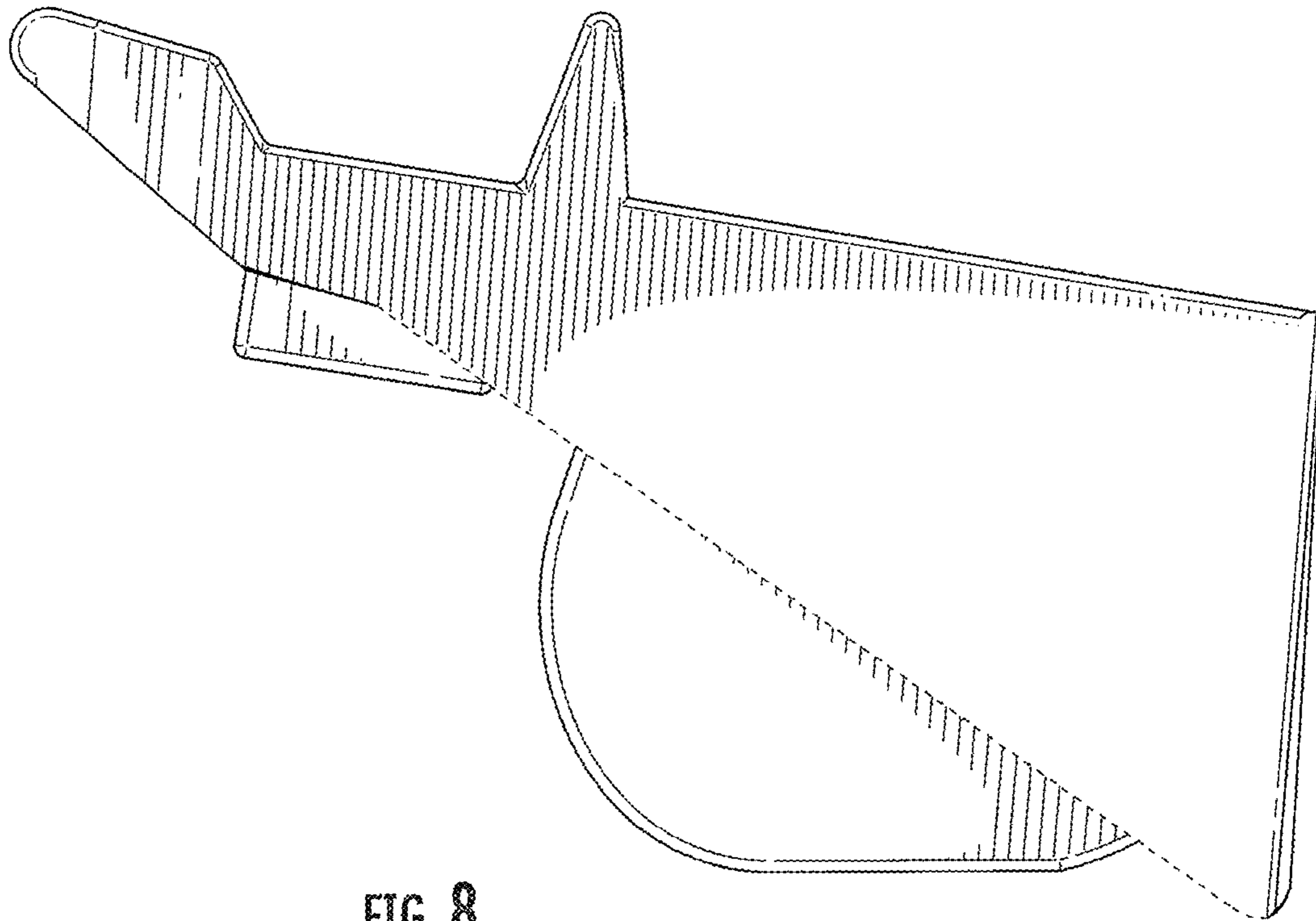


FIG. 8

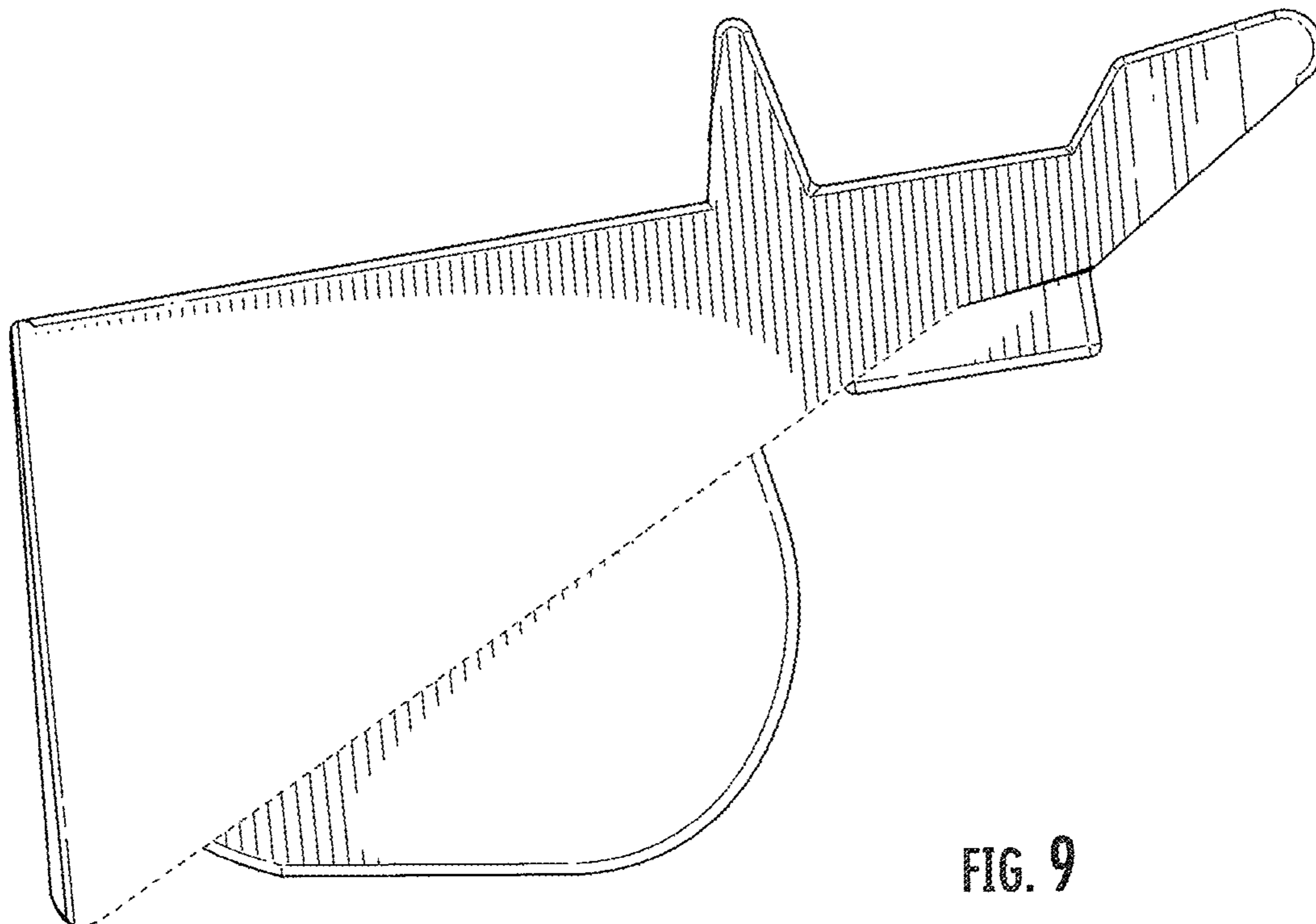


FIG. 9

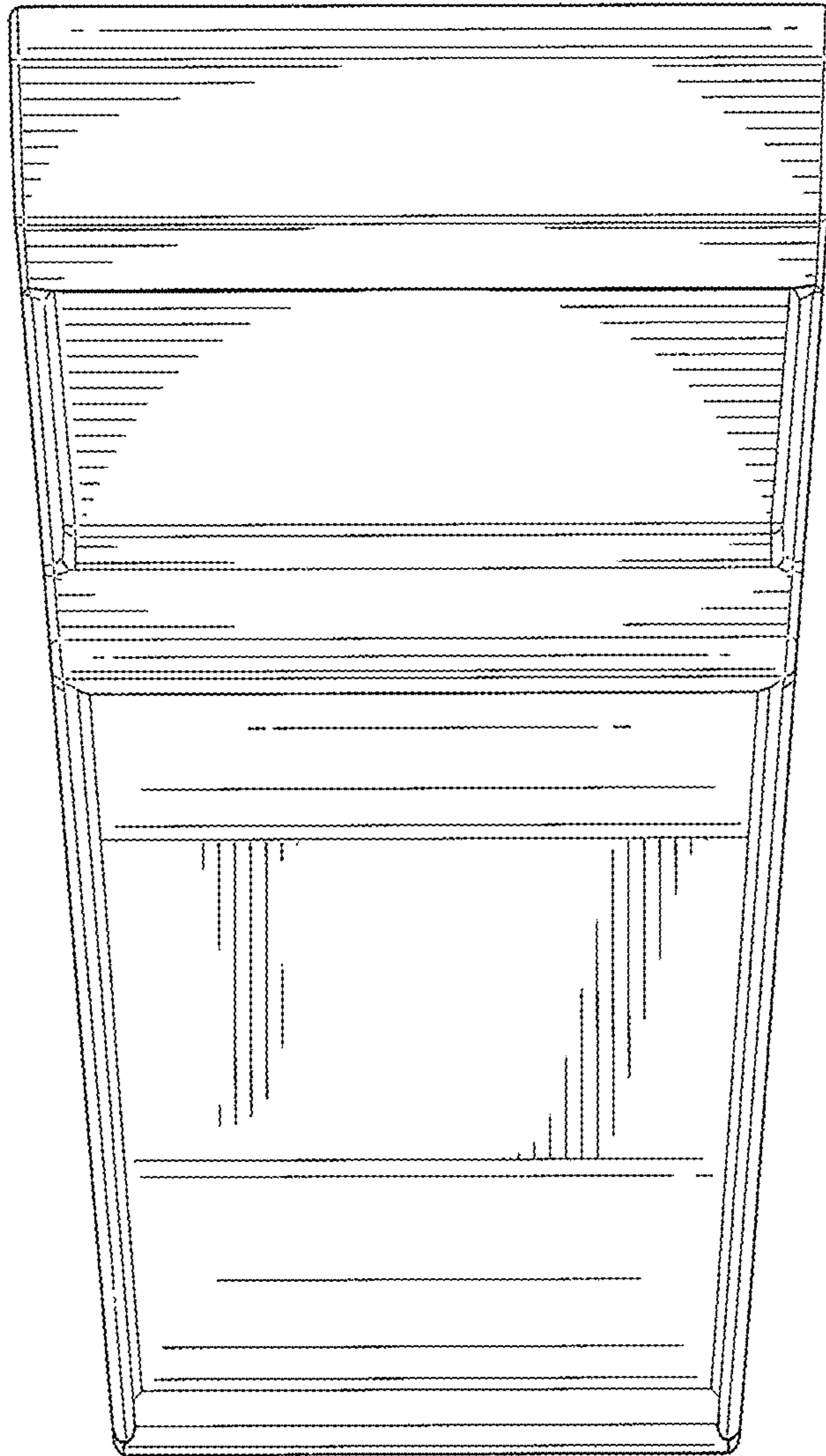


FIG. 10

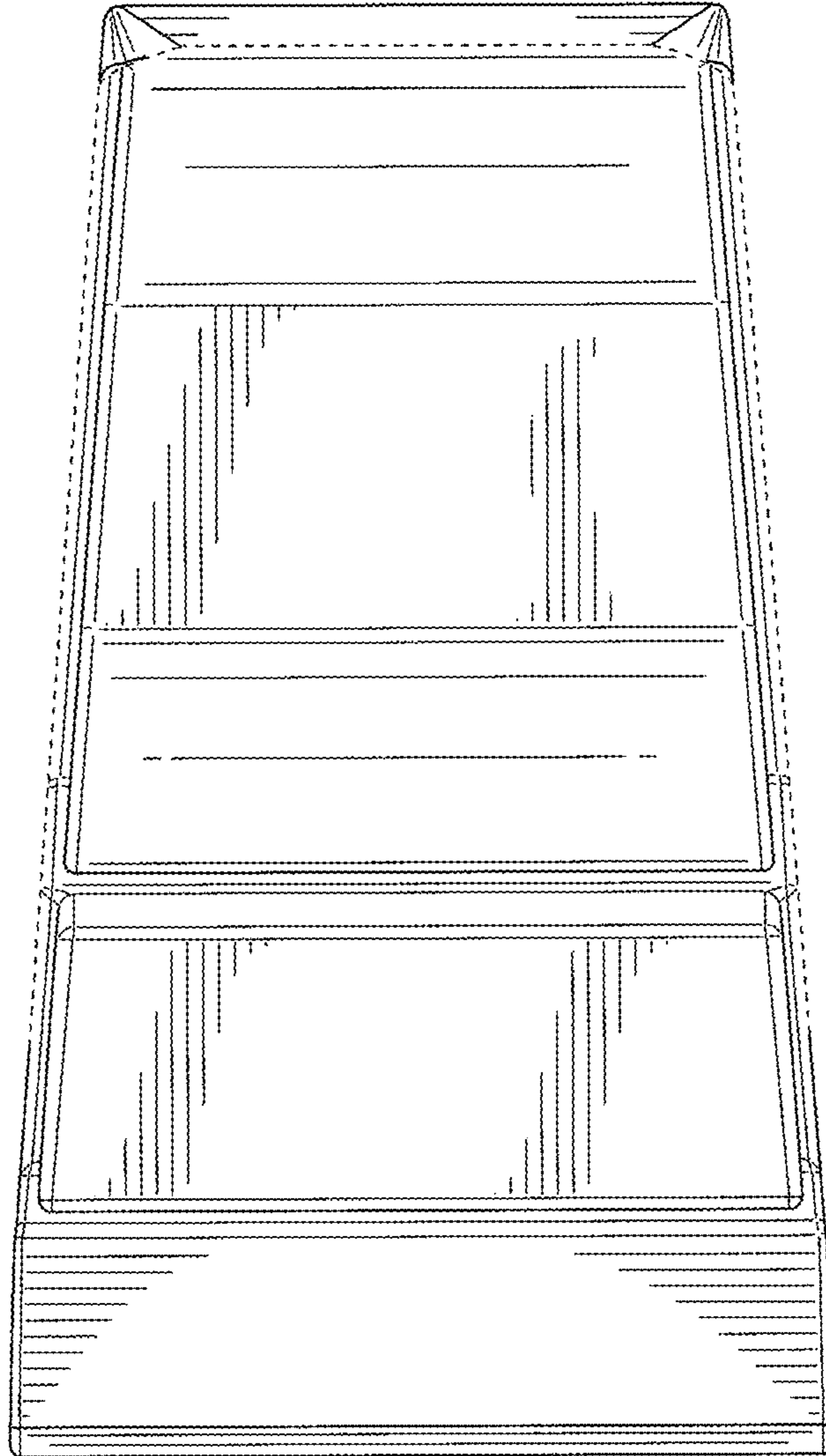


FIG. 11

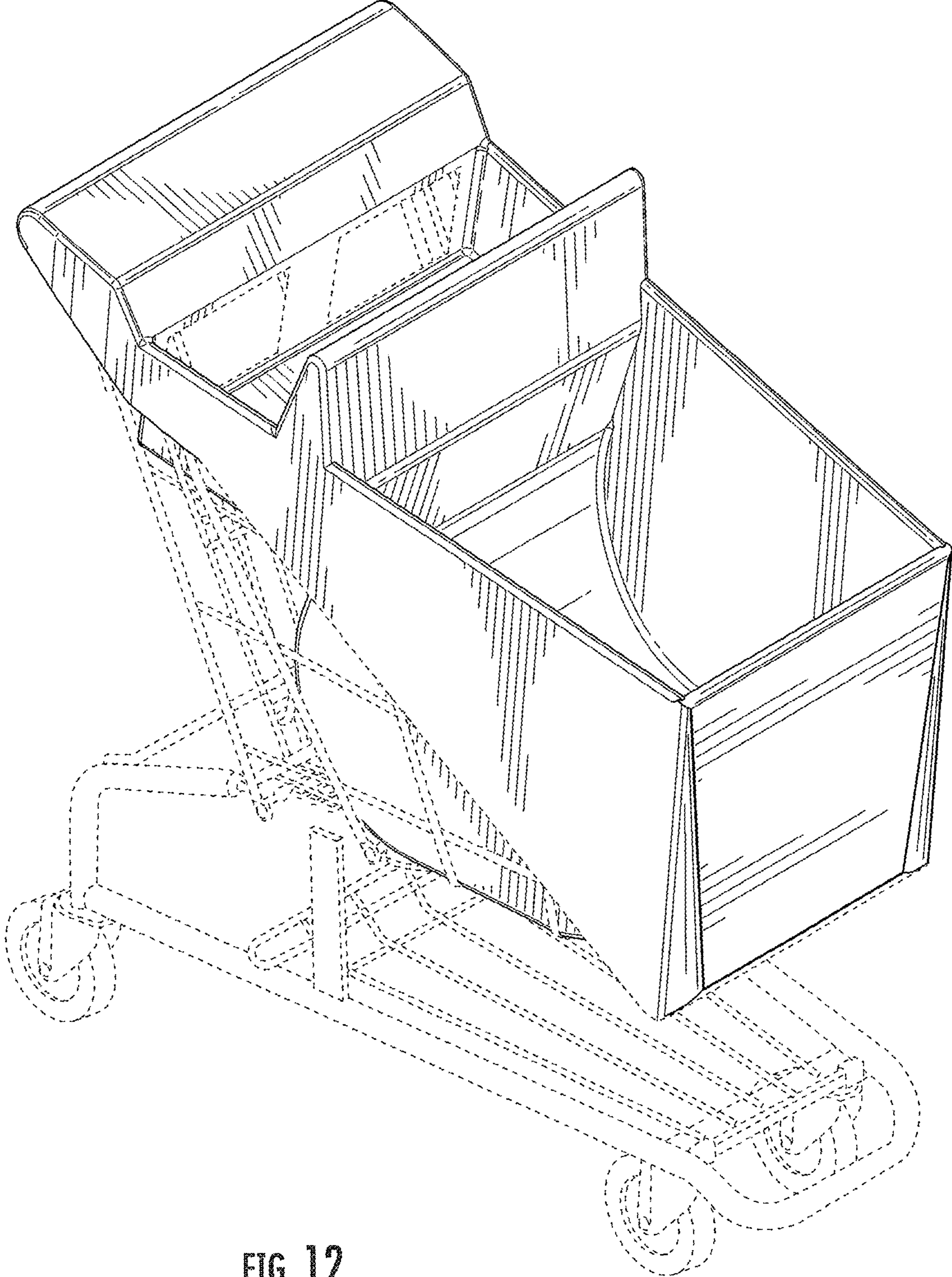


FIG. 12