



US00D916411S

(12) **United States Design Patent** (10) **Patent No.:** **US D916,411 S**
Læenner (45) **Date of Patent:** **** Apr. 13, 2021**

(54) **BUCKET**
(71) Applicant: **Vikan A/S**, Skive (DK)
(72) Inventor: **Thomas Læenner**, Skive (DK)
(73) Assignee: **VIKAN A/S**, Skive (DK)
(**) Term: **15 Years**
(21) Appl. No.: **29/560,267**
(22) Filed: **Apr. 5, 2016**
(51) **LOC (13) Cl.** **07-05**
(52) **U.S. Cl.**
USPC **D32/53**
(58) **Field of Classification Search**
USPC D32/53, 53.1, 54; 220/495.01, 495.02,
220/495.06, 570, 904; 15/257.05, 257.06,
15/264, 262; D10/96, 46.2
CPC B65D 25/14; B65D 25/16; A47L 13/52;
A47L 13/58; A47J 47/18; B44D 3/126
See application file for complete search history.

D618,413 S * 6/2010 Berti D32/53
D663,086 S * 7/2012 Herbst D32/53
8,438,921 B1 * 5/2013 Bland G01F 19/00
73/427
D769,561 S * 10/2016 Galbraith D32/53
D796,140 S * 8/2017 Bergman D32/53.1
D832,544 S * 10/2018 Bergman D32/53.1

OTHER PUBLICATIONS

Vikan Remco Pails—3-Gal. Capacity posted to amazon.com. Available date: May 25, 2012 [site visited Jan. 25, 2021] Available: <<https://www.amazon.com/Remco-Vikan-Pails-3-Gal-Capacity/dp/B00E2XFS12>> (Year: 2012).*

* cited by examiner

Primary Examiner — Kevin K Rudzinski
(74) *Attorney, Agent, or Firm* — Gearhart Law LLC; David Postolski, Esq.

(57) **CLAIM**

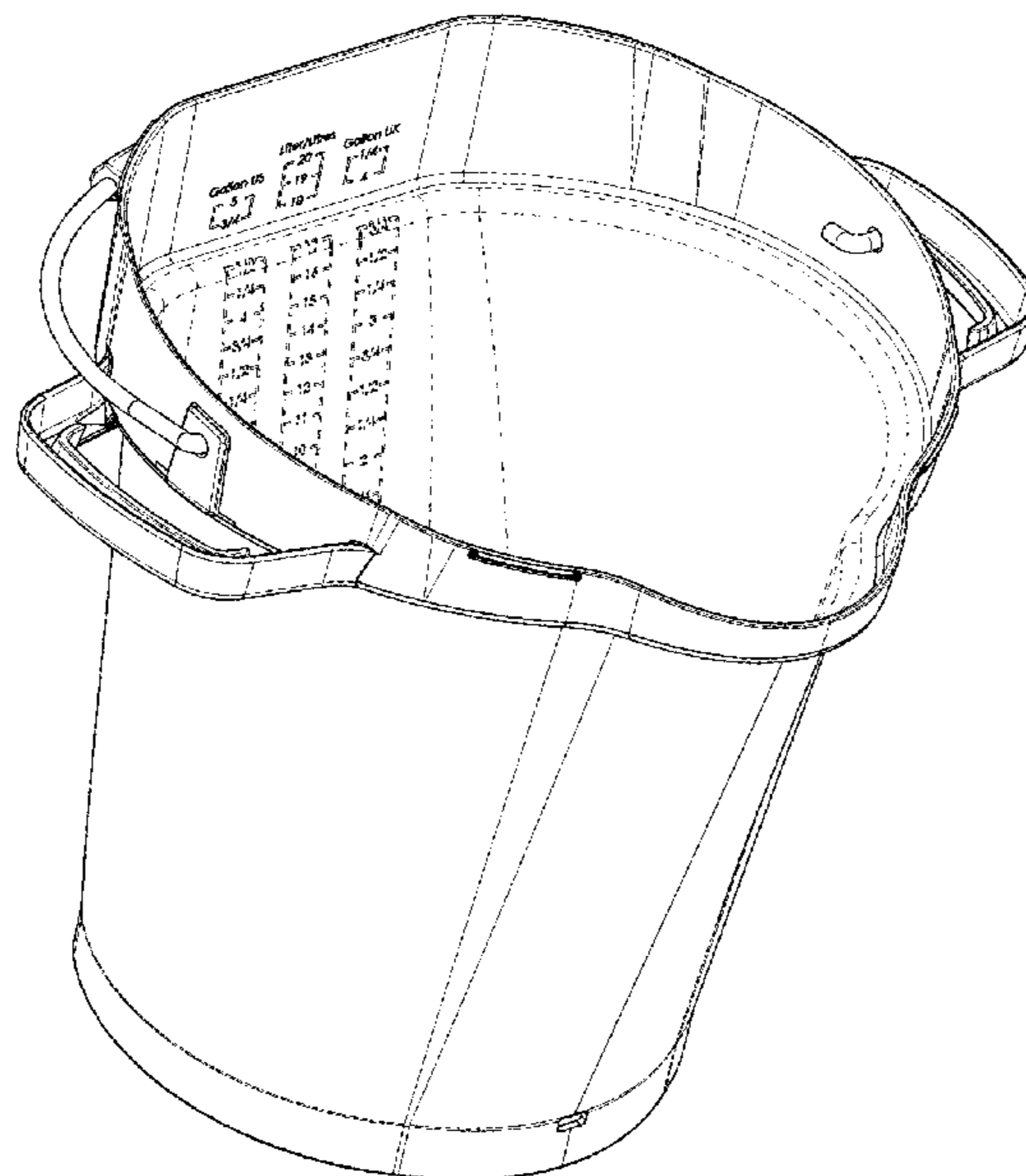
The ornamental design for a bucket, as shown.

DESCRIPTION

FIG. 1 is a top perspective view of the bucket of the present invention.
FIG. 2 is a left side view of the bucket as shown in FIG. 1.
FIG. 3 is a right-side view of the bucket as shown in FIG. 1.
FIG. 4 is a top view of the bucket as shown in FIG. 1.
FIG. 5 is a bottom view of the bucket as shown in FIG. 1.
FIG. 6 is another top perspective of the bucket as shown in FIG. 1; and,
FIG. 7 is a bottom perspective view of the bucket as shown in FIG. 1.
The broken lines of the bucket design form no part of the claimed design.

1 Claim, 7 Drawing Sheets

(56) **References Cited**
U.S. PATENT DOCUMENTS
1,994,525 A * 3/1935 Mada A47J 47/18
15/264
D389,626 S * 1/1998 Lundy D32/53
5,810,196 A * 9/1998 Lundy B44D 3/128
220/23.8
D462,491 S * 9/2002 Hauenstein D32/53
D493,035 S * 7/2004 Bergman D3/304
D527,153 S * 8/2006 Morad D32/53
D537,996 S * 3/2007 Lundy D32/53.1
D544,669 S * 6/2007 Casteel D32/53
7,467,728 B2 * 12/2008 Lundy B44D 3/12
220/505
D608,066 S * 1/2010 Pearl D32/53
D614,374 S * 4/2010 Anderson D32/53
D618,412 S * 6/2010 Berti D32/53



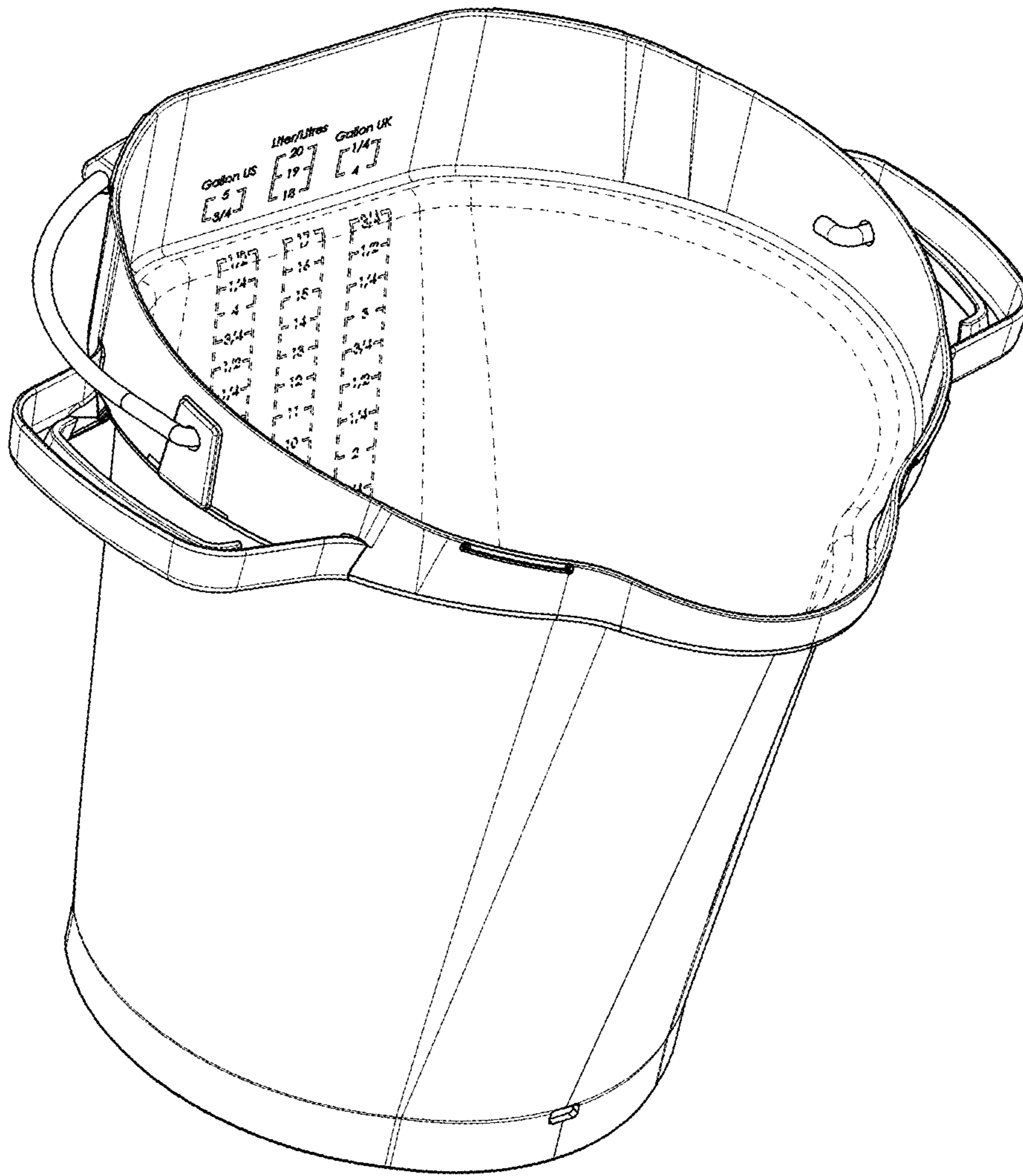


FIG. 1

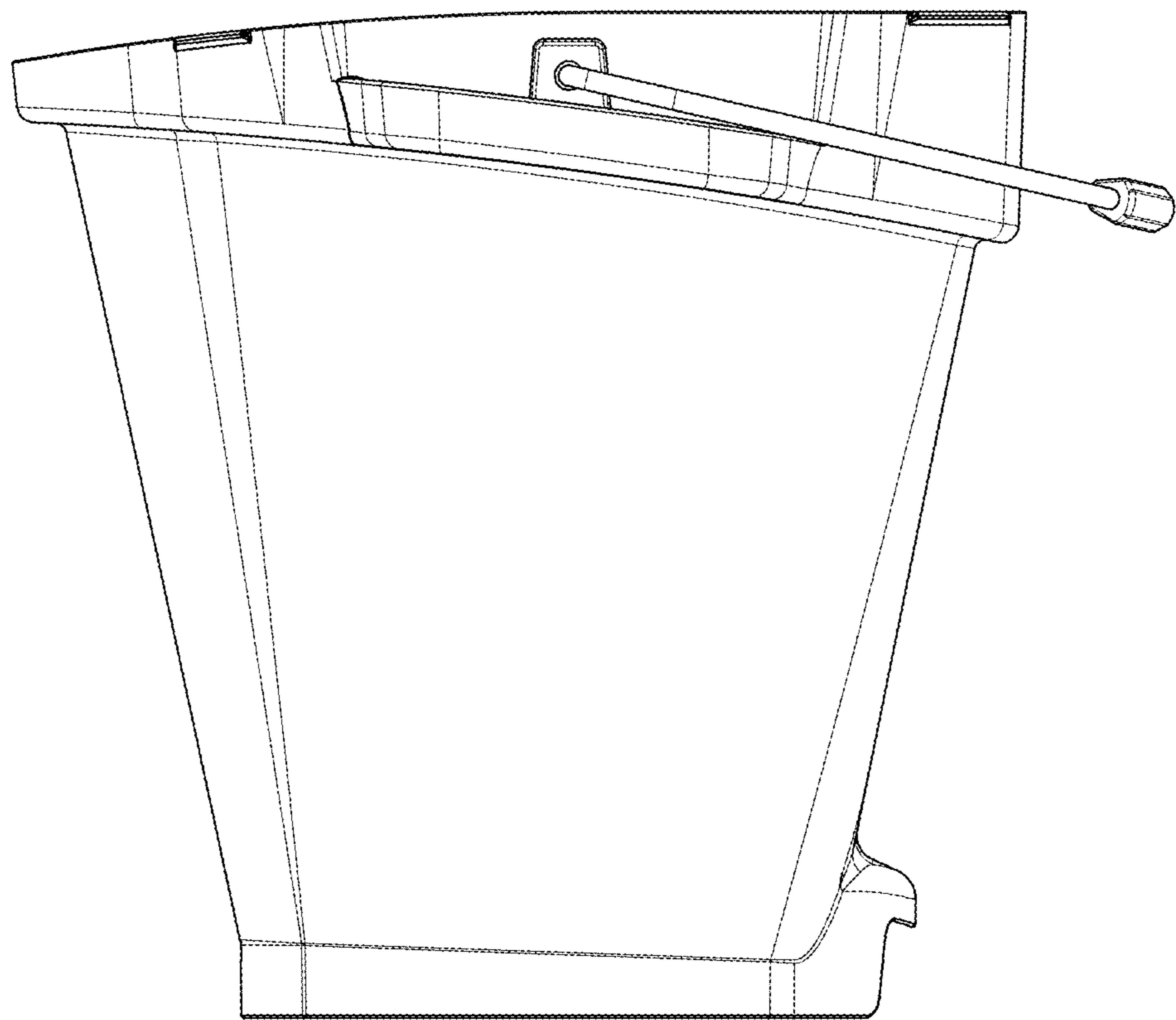


FIG. 2

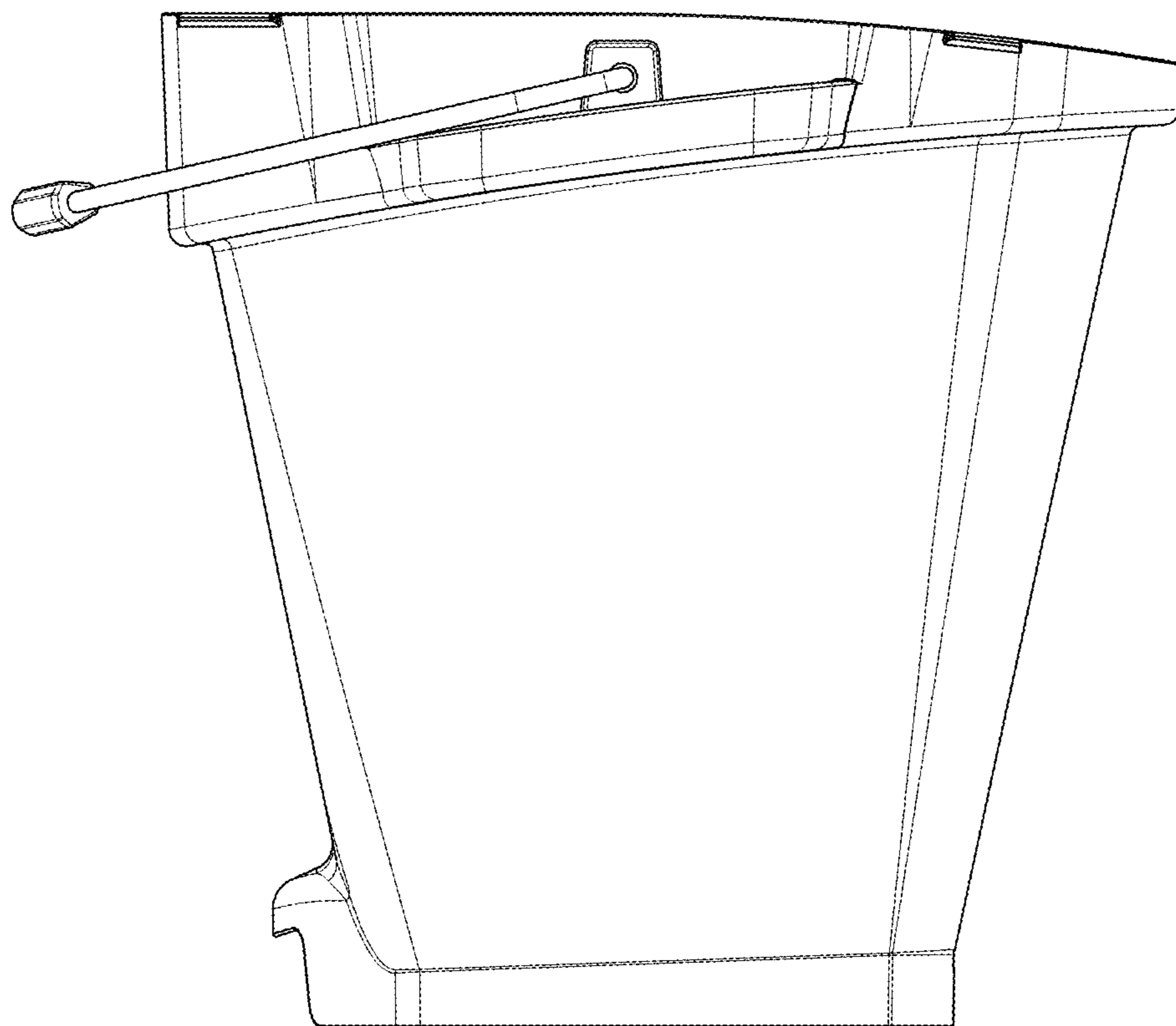


FIG. 3

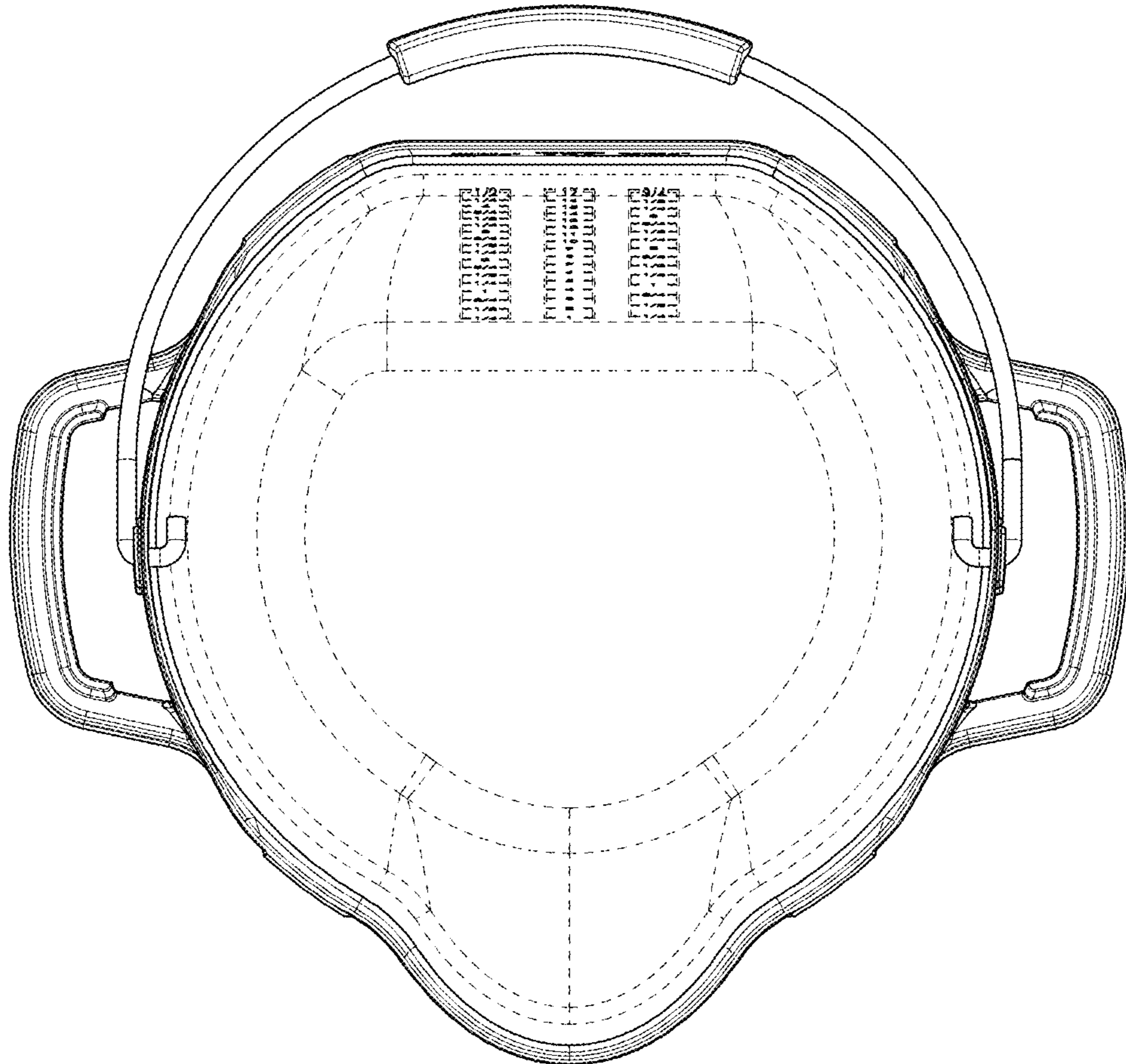


FIG.4

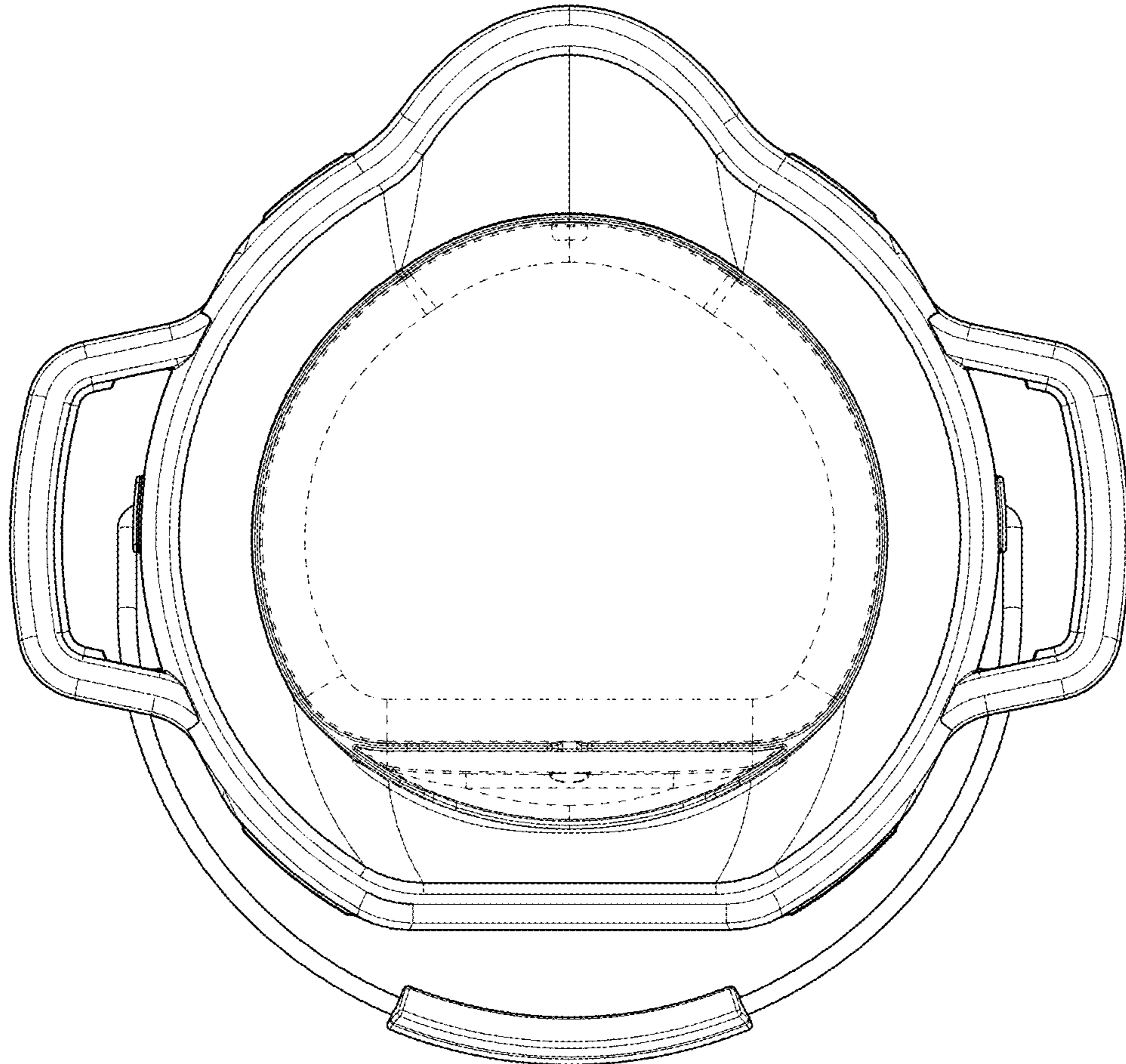


FIG.5

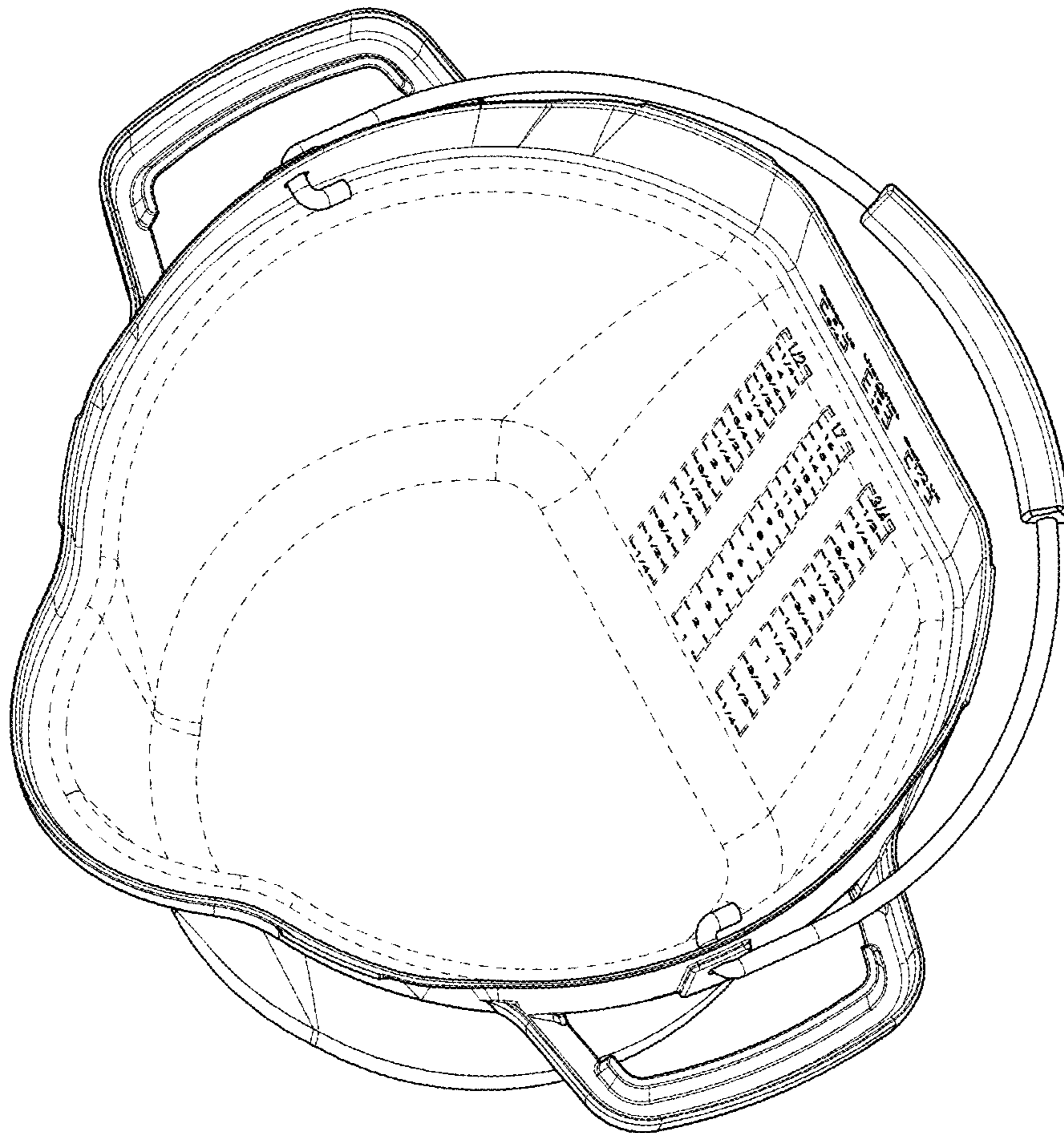


FIG.6

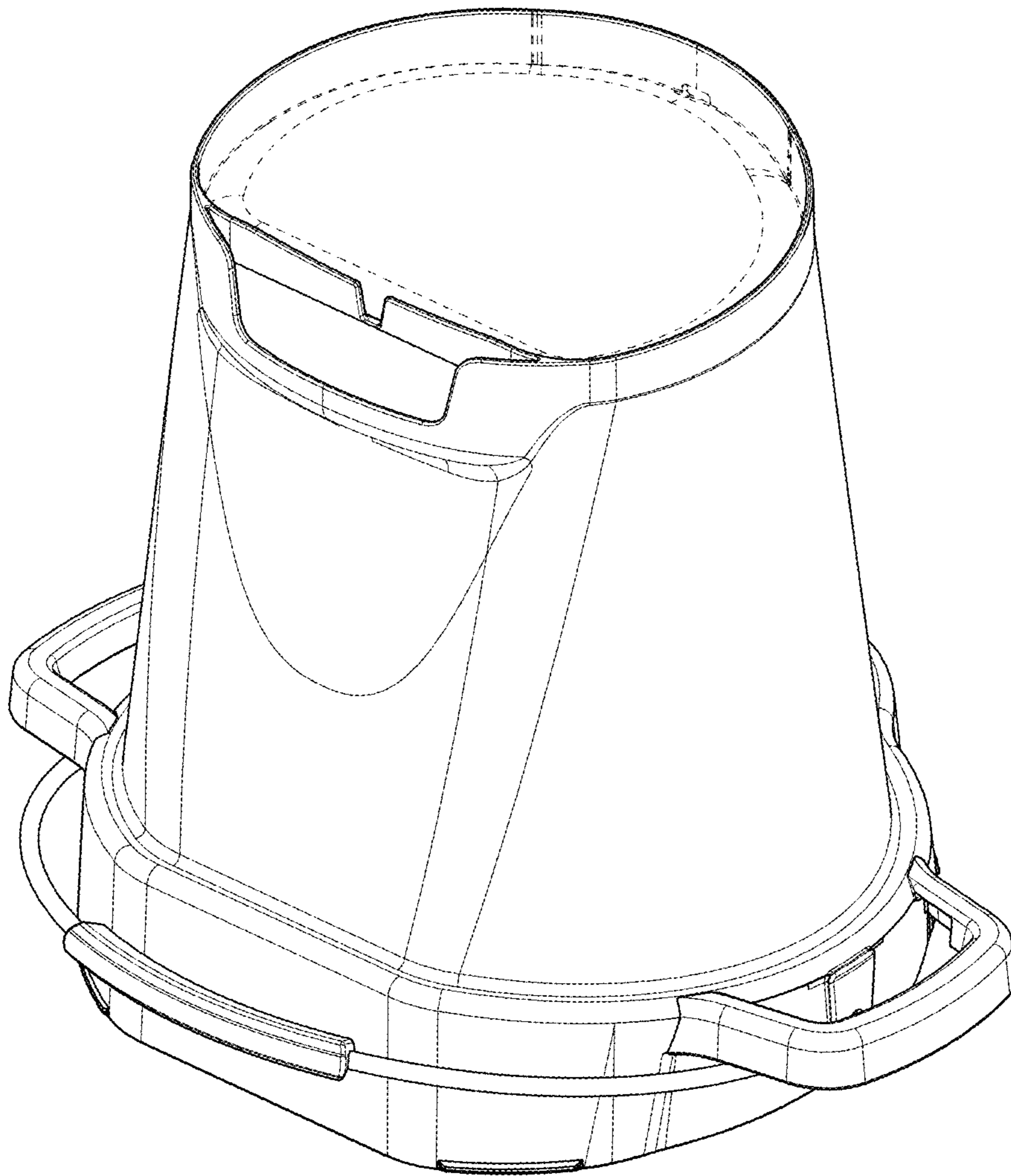


FIG. 7