



US00D916408S

(12) **United States Design Patent** (10) **Patent No.:** **US D916,408 S**
Lin (45) **Date of Patent:** **** Apr. 13, 2021**

(54) **SCRAPER** 6,237,225 B1 * 5/2001 Tarrant B26B 5/005
15/236.01
(71) Applicant: **Hung-Wei Lin**, Taichung (TW) D615,261 S * 5/2010 Bunnag D32/49
D615,262 S * 5/2010 Bunnag D32/49
(72) Inventor: **Hung-Wei Lin**, Taichung (TW) D624,262 S * 9/2010 Gringer D32/46
8,314,366 B2 * 11/2012 Evans B23K 3/08
219/229
(**) Term: **15 Years** (Continued)

(21) Appl. No.: **29/729,720**
(22) Filed: **Mar. 30, 2020**

FOREIGN PATENT DOCUMENTS

CA 131946 * 9/2010

Related U.S. Application Data

(63) Continuation-in-part of application No. 29/665,983, filed on Oct. 9, 2018, now abandoned.
(51) **LOC (13) Cl.** **07-05**
(52) **U.S. Cl.**
USPC **D32/46; D8/99**
(58) **Field of Classification Search**
USPC D32/46-47, 49-52; D7/688;
D8/105-106, 99; D4/118, 124, 102;
D21/789
CPC A47L 13/10; A47L 13/12; A47L 23/00;
A47L 23/04; B26B 5/00; B44D 3/16
See application file for complete search history.

OTHER PUBLICATIONS

OEMTOOLS Razor Blade Scraper, Fleet Farm website 2021, <https://www.fleetfarm.com/detail/oemtools-razor-blade-scraper/0000000358004>, site visited Jan. 1, 2021.*

(Continued)

Primary Examiner — John R Yeh
(74) *Attorney, Agent, or Firm* — Muncy, Geissler, Olds & Lowe, P.C.

(57) **CLAIM**

I claim the ornamental design for a scraper, as shown and described.

(56) **References Cited**

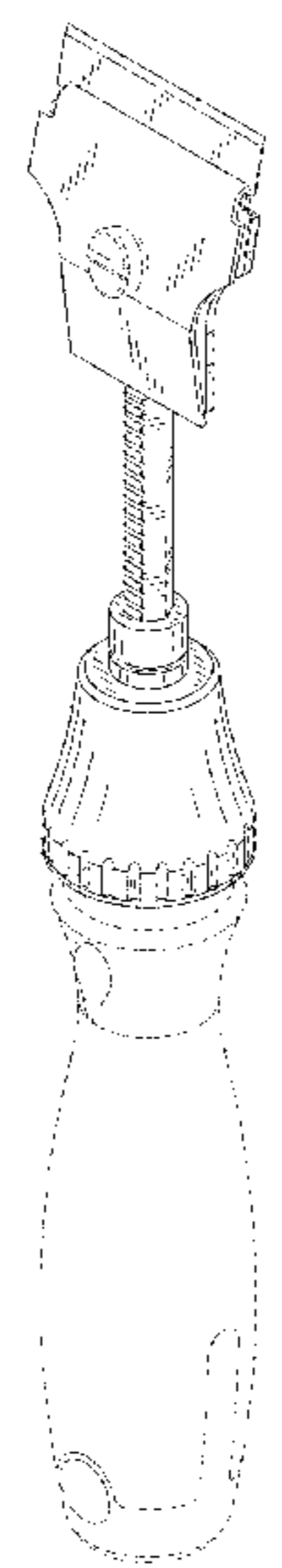
U.S. PATENT DOCUMENTS

2,105,960 A * 1/1938 Wolfe B26B 5/006
30/333
2,308,162 A * 1/1943 Frank B26B 5/006
30/329
D303,860 S * 10/1989 Iten D32/48
5,208,984 A * 5/1993 Negus A47L 13/08
15/236.01
D346,319 S * 4/1994 Lavallee D8/99
D368,345 S * 3/1996 Fisher D32/49
D396,910 S * 8/1998 Henke D32/48
D399,721 S * 10/1998 Torre D8/99
D406,518 S * 3/1999 Yenkala D8/106
5,953,820 A * 9/1999 Vasudeva B25D 3/00
206/349

DESCRIPTION

FIG. 1 is a top, front, right perspective view of a scraper showing my new design;
FIG. 2 is a front elevational view thereof;
FIG. 3 is a rear elevational view thereof;
FIG. 4 is a left side view thereof;
FIG. 5 is a right side view thereof;
FIG. 6 is a top plan view thereof;
FIG. 7 is a bottom plan view thereof; and,
FIG. 8 is a top, right, rear perspective view thereof.
The broken lines in the drawings illustrate portions of the scraper which form no part of the claimed design.

1 Claim, 5 Drawing Sheets



(56)

References Cited

U.S. PATENT DOCUMENTS

D679,157 S * 4/2013 Derivaz D8/20
8,826,544 B1 * 9/2014 Savage, Jr. B26B 5/00
30/167
10,723,030 B2 * 7/2020 Chiu B26B 5/006
2010/0058914 A1 * 3/2010 Chen B26B 5/00
83/699.21
2011/0035948 A1 * 2/2011 Wang B26B 5/00
30/169

OTHER PUBLICATIONS

Tekton 5878 Long Reach Scraper, Amazon.com reviews 2014,
https://www.amazon.com/gp/product/B0037V0E0Q/ref=as_li_tl?ie=UTF8&tag=yourme-20&camp=1789&creative=9325&linkCode=as2&creativeASIN=B0037V0E0Q&linkId=ef31b2a2ea48ba98b9ff571bdb0b7f51#customerReviews, site visited
Jan. 1, 2021.*

* cited by examiner

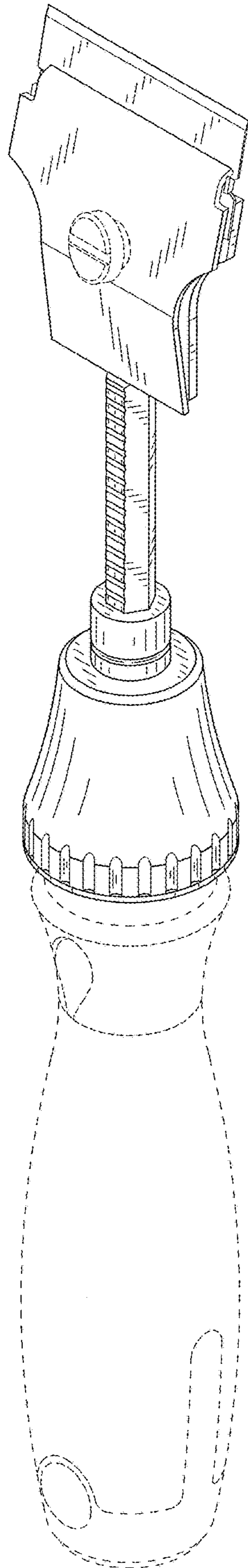
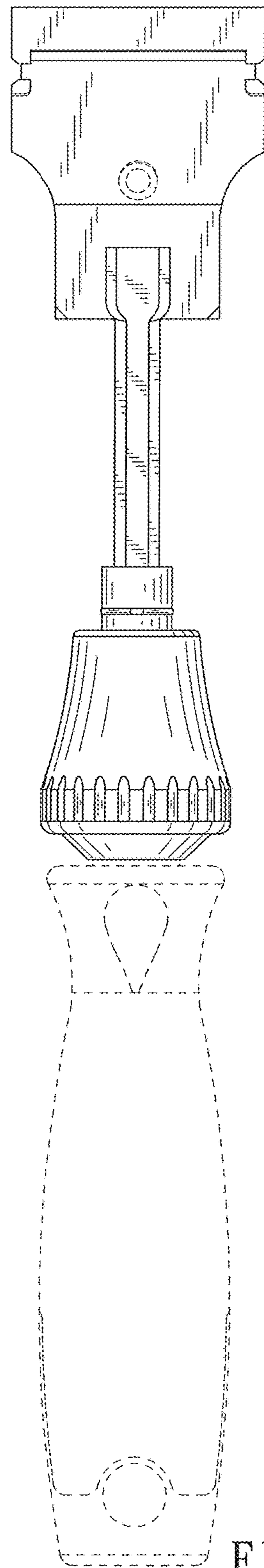
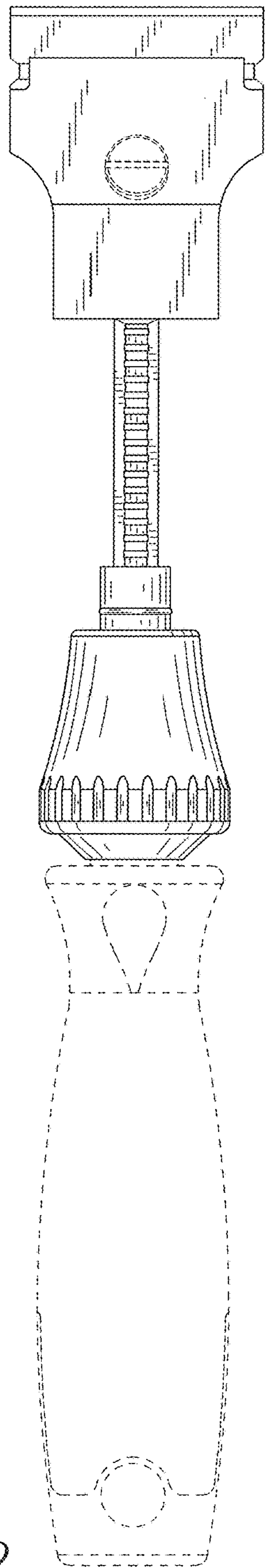
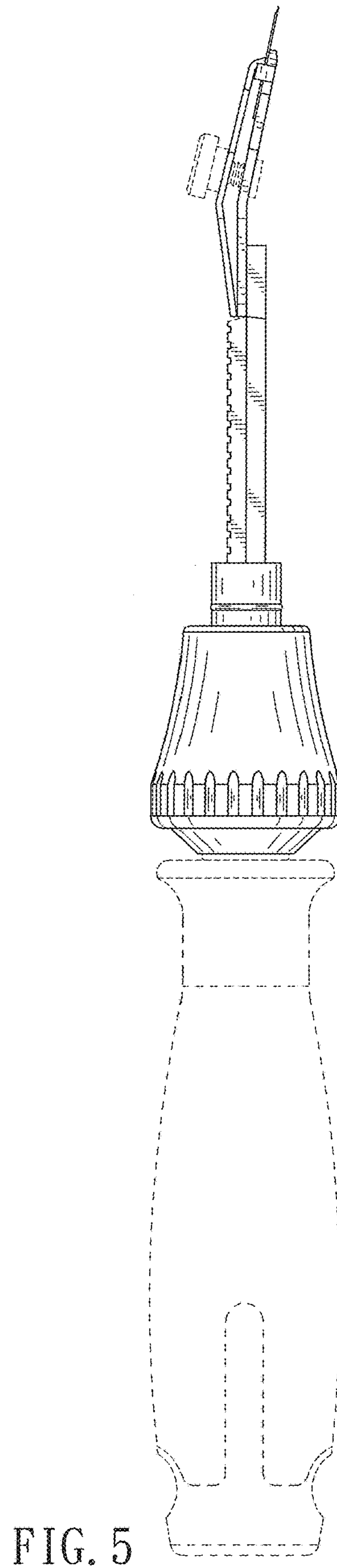
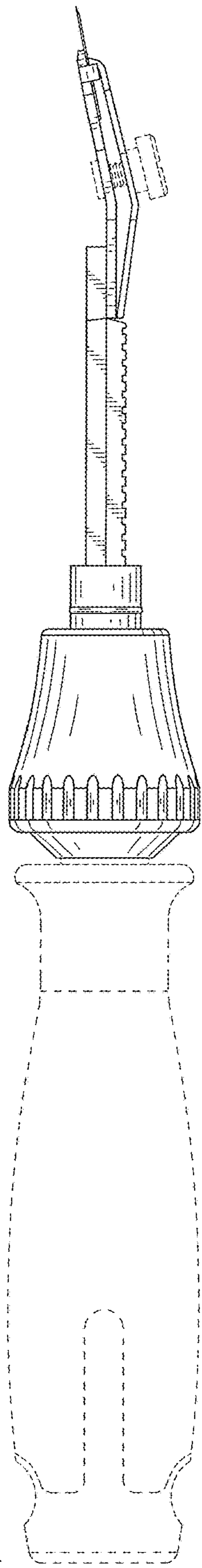


FIG. 1





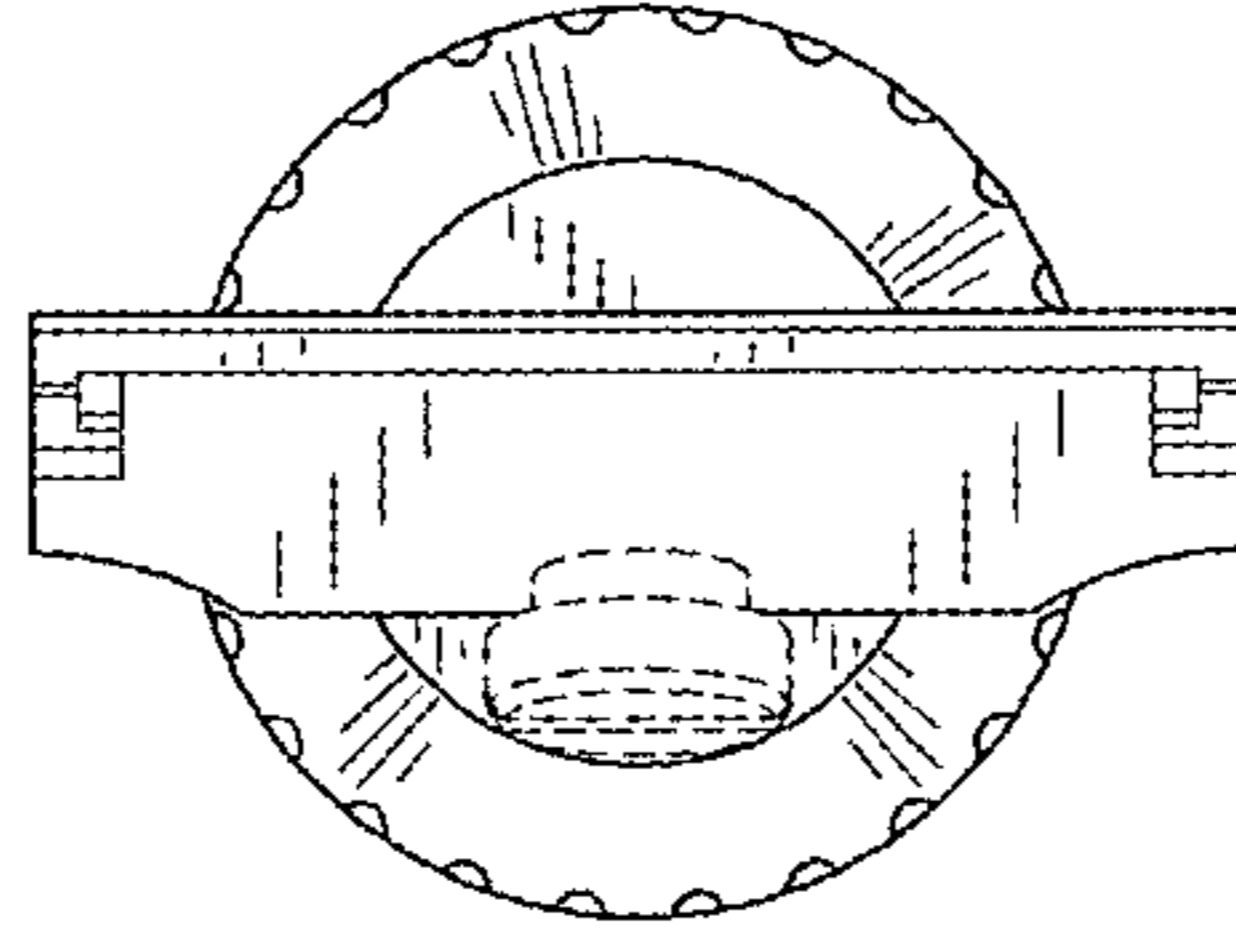


FIG. 6

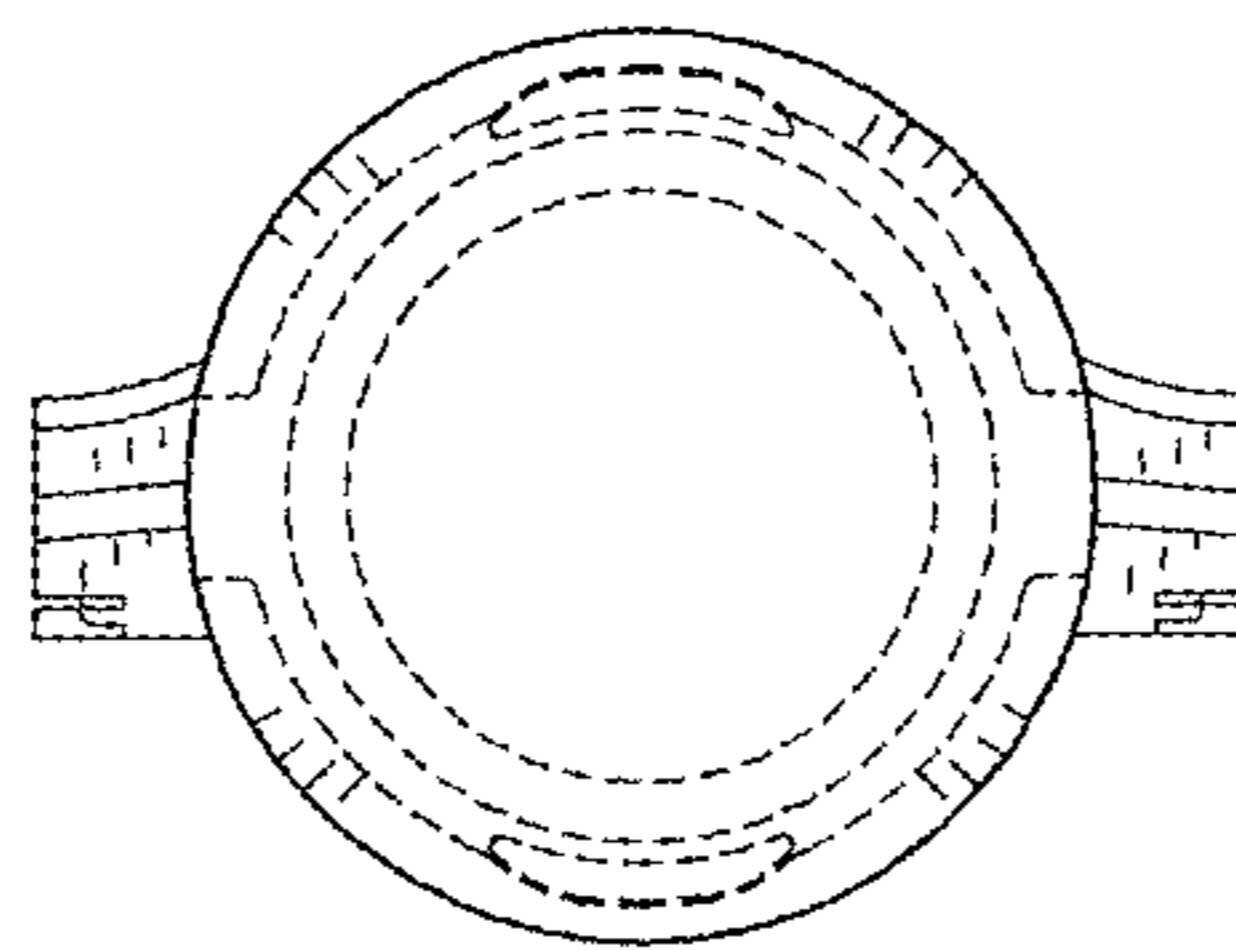


FIG. 7

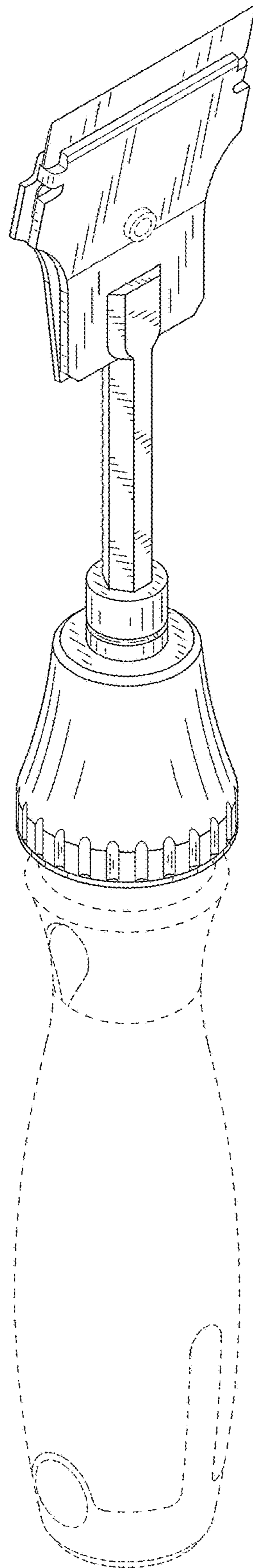


FIG. 8