



US00D916407S

(12) **United States Design Patent**  
**Liao et al.**

(10) **Patent No.:** **US D916,407 S**  
(45) **Date of Patent:** **\*\* Apr. 13, 2021**

(54) **SCRAPER**

(71) Applicant: **KTL INTERNATIONAL CO., LTD.**,  
Taichung (TW)

(72) Inventors: **Ying-Chieh Liao**, Taichung (TW);  
**Yu-Kuo Liao**, Taichung (TW)

(73) Assignee: **KTL INTERNATIONAL CO., LTD.**,  
Taichung (TW)

(\*\*) Term: **15 Years**

(21) Appl. No.: **29/707,970**

(22) Filed: **Oct. 2, 2019**

(30) **Foreign Application Priority Data**

Aug. 5, 2019 (TW) ..... 108304649

(51) **LOC (13) Cl.** ..... **07-05**

(52) **U.S. Cl.**  
USPC ..... **D32/46**

(58) **Field of Classification Search**  
USPC ..... D32/46, 49-52; D7/688; D8/105;  
D24/146; D4/104, 138  
CPC ..... A47L 13/10; A47L 13/12; A47J 37/0786;  
A47J 37/00  
See application file for complete search history.

(56) **References Cited**

**U.S. PATENT DOCUMENTS**

D262,236 S *	12/1981	Tarrson	.....	D24/149
D265,698 S *	8/1982	Roth	.....	D4/104
D332,901 S *	2/1993	Campbell	.....	D8/45
D336,372 S *	6/1993	Ricciarelli	.....	D4/138
D336,992 S *	7/1993	Murphy	.....	D4/134
D345,653 S *	4/1994	Joyner	.....	D4/138
D364,276 S *	11/1995	Bird	.....	D4/138
D367,707 S *	3/1996	Baker	.....	D24/146
D388,573 S *	12/1997	Rostron	.....	D32/49
D429,567 S *	8/2000	Yoshimoto	.....	D4/104
6,732,395 B2 *	5/2004	Gringer	.....	A47L 13/022
				15/105

D501,325 S *	2/2005	Berti	.....	D4/138
D502,324 S *	3/2005	Conway	.....	D32/51
D509,033 S *	8/2005	Dotterman	.....	15/244.1
D532,609 S *	11/2006	Zemel	.....	D4/138
D552,446 S *	10/2007	Cybulski	.....	D8/300
D556,406 S *	11/2007	Murphy, Jr.	.....	D32/40
D556,537 S *	12/2007	Cybulski	.....	D8/300
D575,523 S *	8/2008	Libman	.....	D4/132
D588,365 S *	3/2009	Conway	.....	D4/138

(Continued)

**FOREIGN PATENT DOCUMENTS**

CN	304948064	*	12/2018
EM	003121615-0007	*	6/2016

**OTHER PUBLICATIONS**

Bone Scraper, Curved | ProDentUSA, website 2020, <https://prodentusa.com/...rgical/surgical-bone-grafting-instruments/surgical-bone-grafting-instruments-bone-morselizer/bone-scraper-curved/>, site visited Dec. 19, 2020.\*

*Primary Examiner* — John R Yeh

(74) *Attorney, Agent, or Firm* — Muncy, Geissler, Olds & Lowe, P.C.

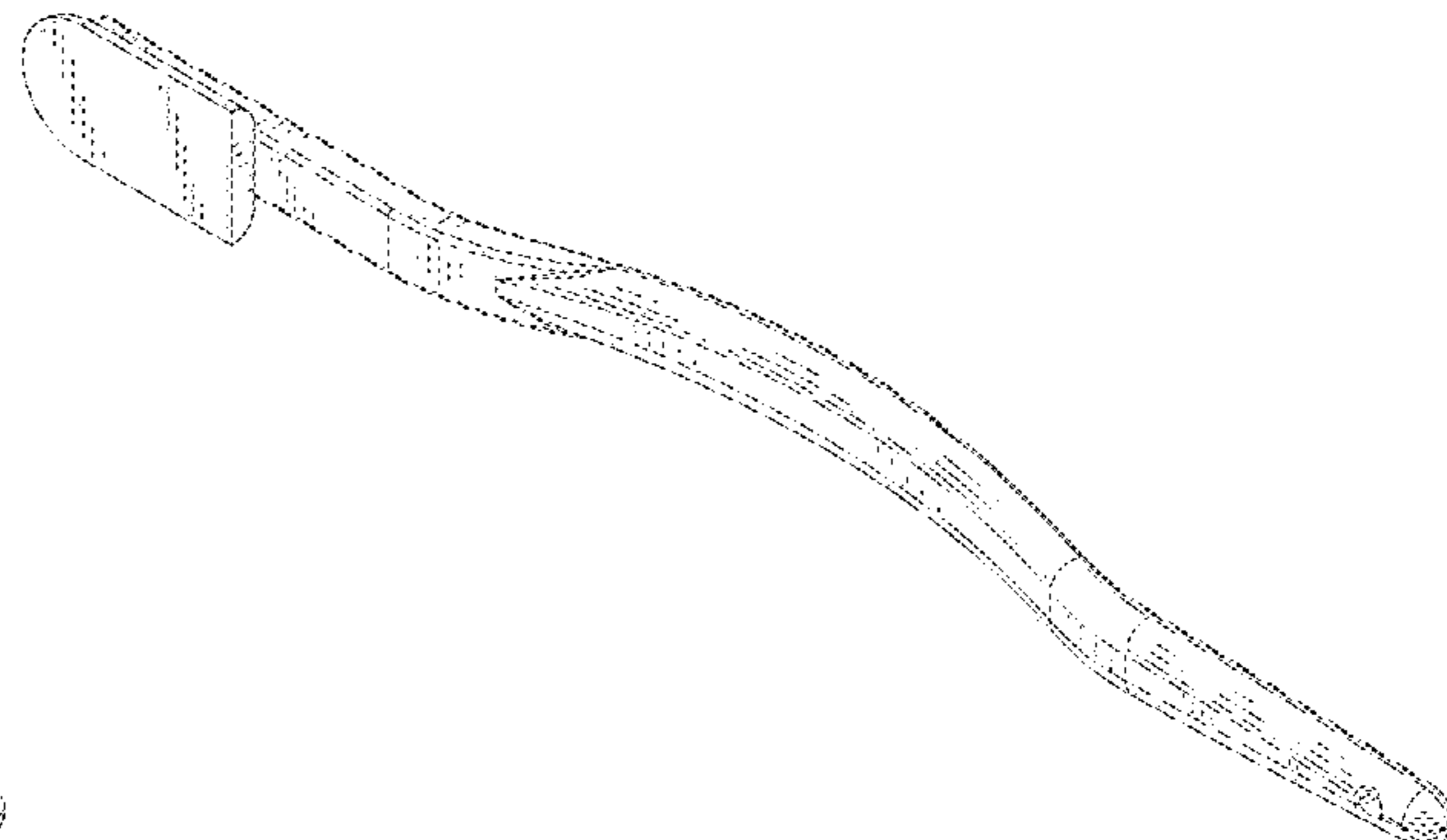
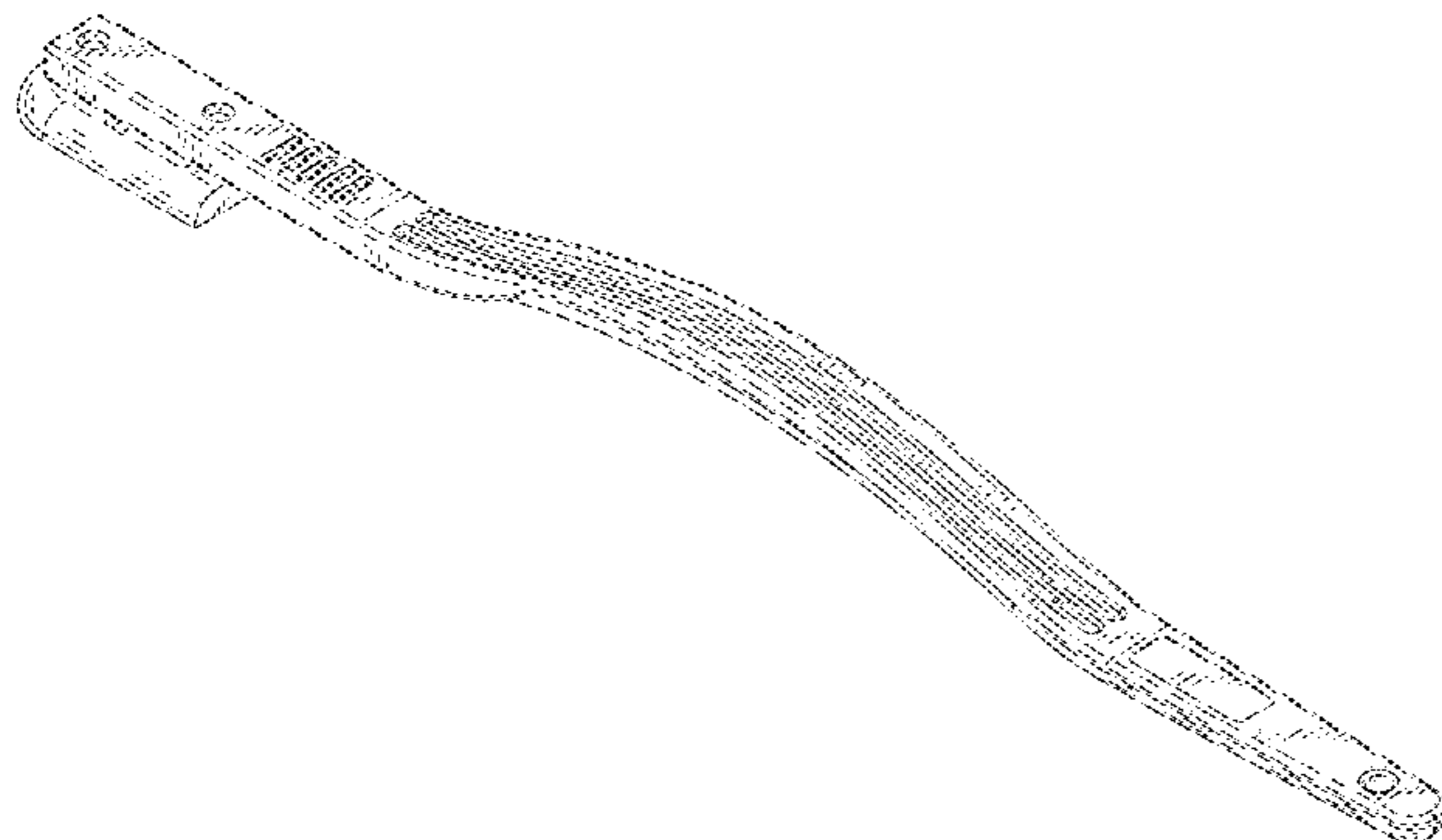
(57) **CLAIM**

We claim the ornamental design for a scraper, as shown and described.

**DESCRIPTION**

FIG. 1 is a top, front, right perspective view of a scraper showing our new design;  
FIG. 2 is a front elevational view thereof;  
FIG. 3 is a rear elevational view thereof;  
FIG. 4 is a left side view thereof;  
FIG. 5 is a right side view thereof;  
FIG. 6 is a top plan view thereof;  
FIG. 7 is a bottom plan view thereof; and,  
FIG. 8 is a bottom, front, right perspective view.

**1 Claim, 5 Drawing Sheets**



(56)

**References Cited**

U.S. PATENT DOCUMENTS

D782,042 S \* 3/2017 Dexter ..... D24/146  
D782,043 S \* 3/2017 Fink ..... D24/146  
D898,914 S \* 10/2020 Niver ..... D24/147

\* cited by examiner

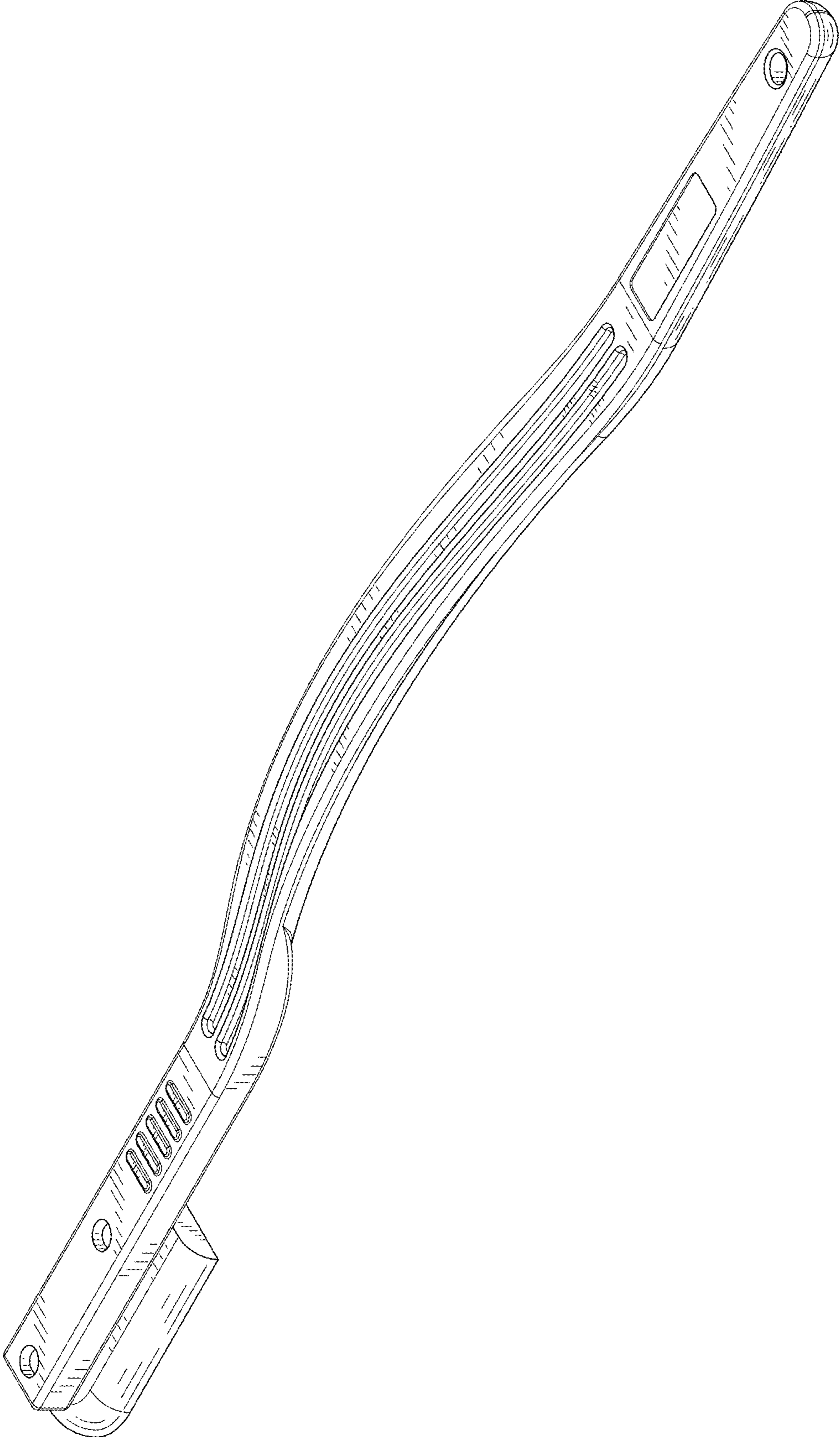


FIG. 1

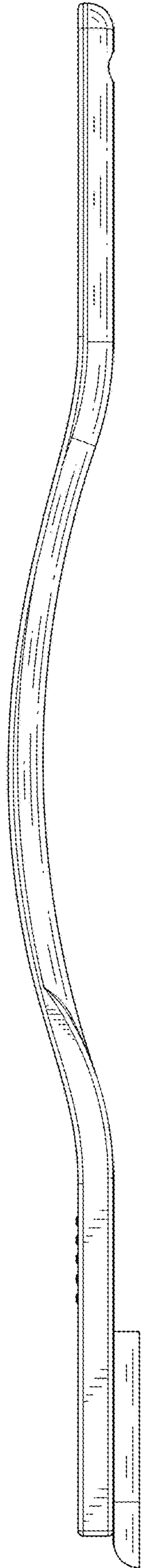


FIG. 2

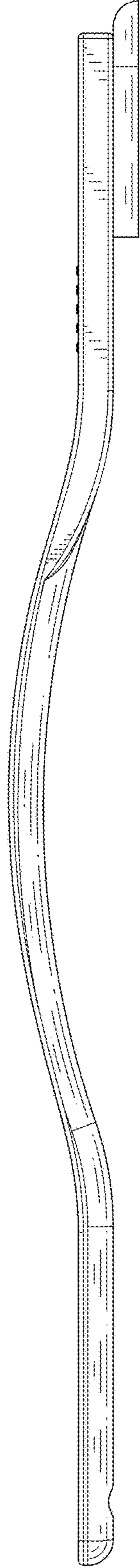


FIG. 3

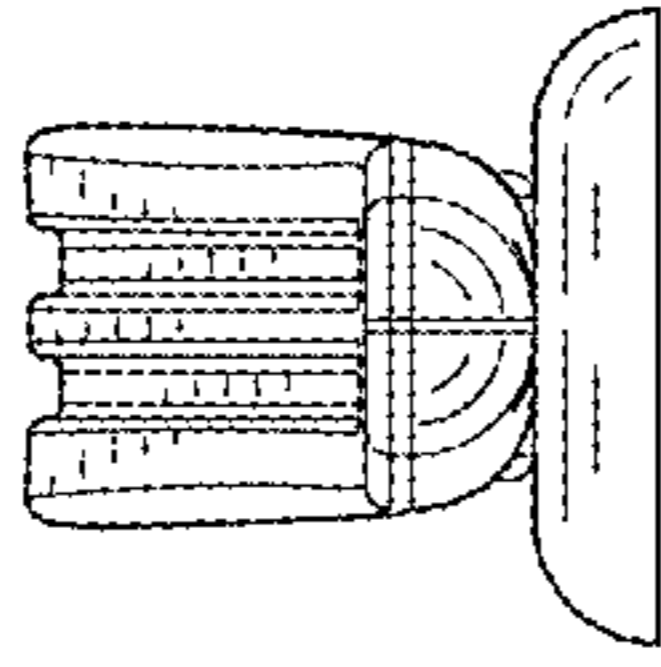


FIG. 5

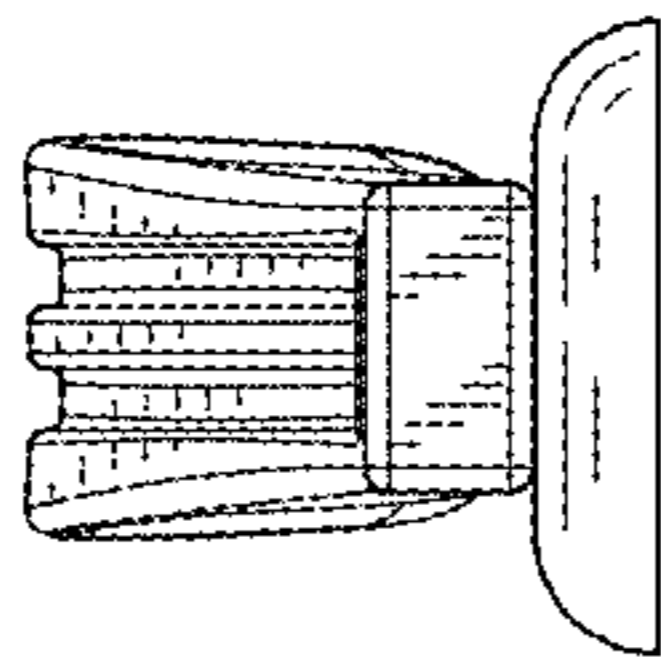


FIG. 4



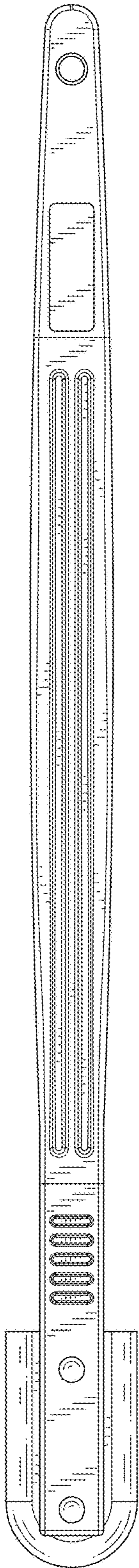


FIG. 6

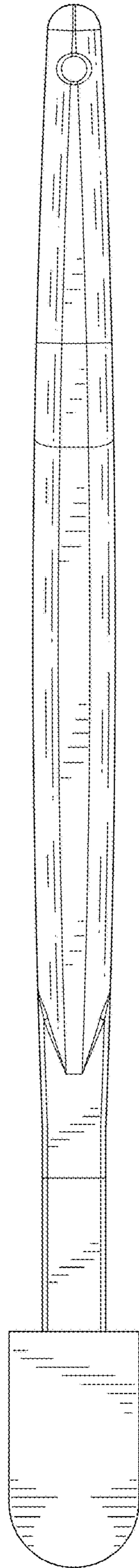


FIG. 7

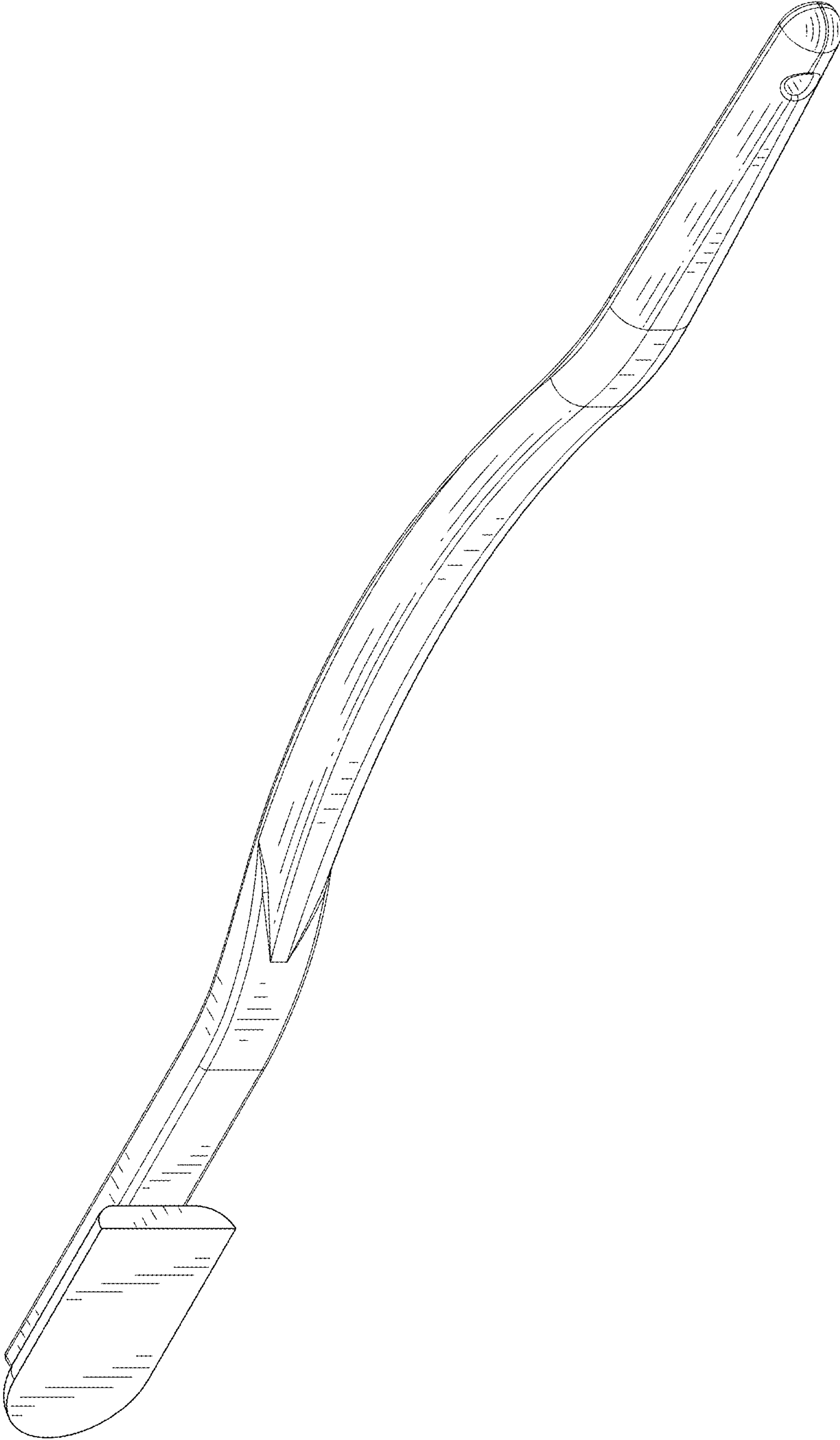


FIG. 8