



US00D916405S

(12) **United States Design Patent** (10) **Patent No.:** **US D916,405 S**  
**Son et al.** (45) **Date of Patent:** **\*\* Apr. 13, 2021**

(54) **WATER CONTAINER FOR CLOTHES DRYER**

(71) Applicant: **LG ELECTRONICS INC.**, Seoul (KR)

(72) Inventors: **Nerry Son**, Seoul (KR); **Hoil Jeon**, Seoul (KR); **Junghwan Lee**, Seoul (KR)

(73) Assignee: **LG Electronics Inc.**, Seoul (KR)

(\*\*) Term: **15 Years**

(21) Appl. No.: **35/508,834**

(22) Filed: **Sep. 20, 2019**

(80) **Hague Agreement Data**

Int. Filing Date: **Sep. 20, 2019**  
Int. Reg. No.: **DM/204581**  
Int. Reg. Date: **Sep. 20, 2019**  
Int. Reg. Pub. Date: **Mar. 20, 2020**

(51) **LOC (13) Cl.** ..... **15-05**

(52) **U.S. Cl.**  
USPC ..... **D32/25**

(58) **Field of Classification Search**  
USPC .... D32/2, 6-13, 55, 56, 58, 25-31; D6/410, D6/411, 462, 546, 548, 553, 567, 574, D6/566; D23/271, 273, 284, 286, 308  
CPC ..... D06F 33/02; D06F 39/14; D06F 37/304; D06F 39/005; D06F 39/12; D06F 37/04; D06F 39/02; D06F 29/00; D06F 37/203; D06F 37/28; D06F 37/30; D06F 58/02; D06F 2204/065; D06F 2222/00; D06F 29/005; D06F 29/02; D06F 31/00; D06F 33/00; D06F 37/10; D06F 37/12; D06F 37/36; D06F 58/206; D06F 58/22; D06F 58/24; D06F 17/08; D06F 1/04; D06F 2058/2803; D06F 2202/00; D06F 2202/02; D06F 2202/065; D06F 2202/12; D06F 2204/02; D06F 2204/086; D06F 2224/00; D06F 2232/00; D06F 2232/08;

D06F 23/04; D06F 35/00; D06F 35/005; D06F 35/006; D06F 35/007; D06F 37/00; D06F 37/02; D06F 37/225; D06F 37/263; D06F 37/266; D06F 37/268; D06F 37/40; D06F 37/42; D06F 39/003; D06F 39/004; D06F 39/007; D06F 39/08; D06F 39/088; D06F 39/125; D06F 58/203; D06F 58/28; D06F 81/06

See application file for complete search history.

(56) **References Cited**

U.S. PATENT DOCUMENTS

D767,836 S *	9/2016	Ha	.....	D32/25
D809,724 S *	2/2018	Yoon	.....	D32/29.1
D828,661 S *	9/2018	Joo	.....	D32/29.1
D831,285 S *	10/2018	Kim	.....	D32/29.1
D844,268 S *	3/2019	Yoon	.....	D32/29.1
D848,693 S *	5/2019	Kim	.....	D32/29.1
D857,316 S *	8/2019	Kubasiak	.....	D32/29.1
D862,014 S *	10/2019	Kim	.....	D32/25

(Continued)

*Primary Examiner* — Khawaja Anwar

(74) *Attorney, Agent, or Firm* — Birch, Stewart, Kolasch & Birch, LLP

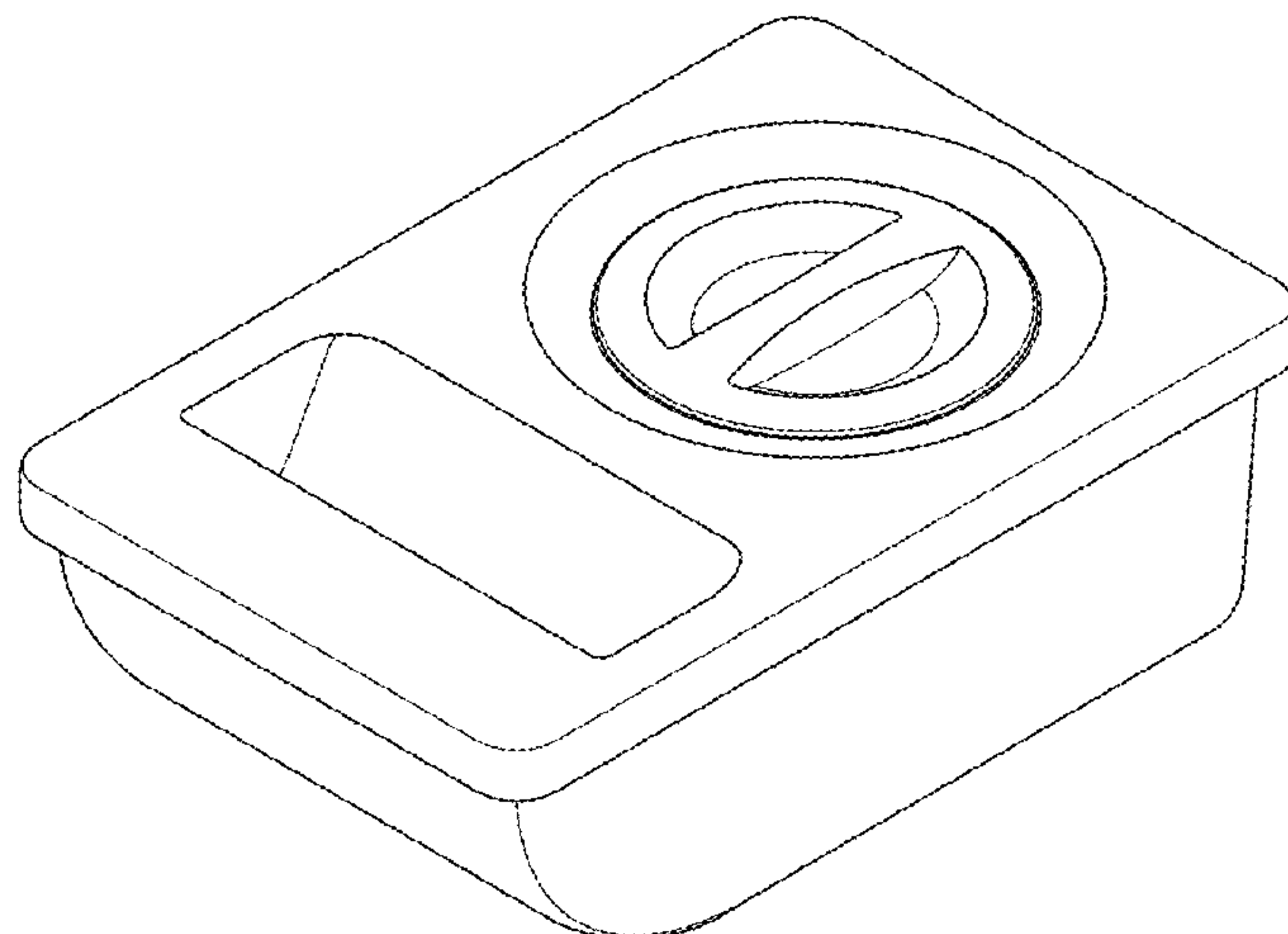
(57) **CLAIM**

The ornamental design for a water container for clothes dryer, as shown and described.

**DESCRIPTION**

- 1. Water container for clothes dryer
- 1.1 : Perspective
- 1.2 : Front
- 1.3 : Back
- 1.4 : Left
- 1.5 : Right
- 1.6 : Top
- 1.7 : Bottom
- 1.8 : Reference view showing a state of use

(Continued)



Broken lines illustrate environmental condition only and form no part of the claimed design.

**1 Claim, 8 Drawing Sheets**

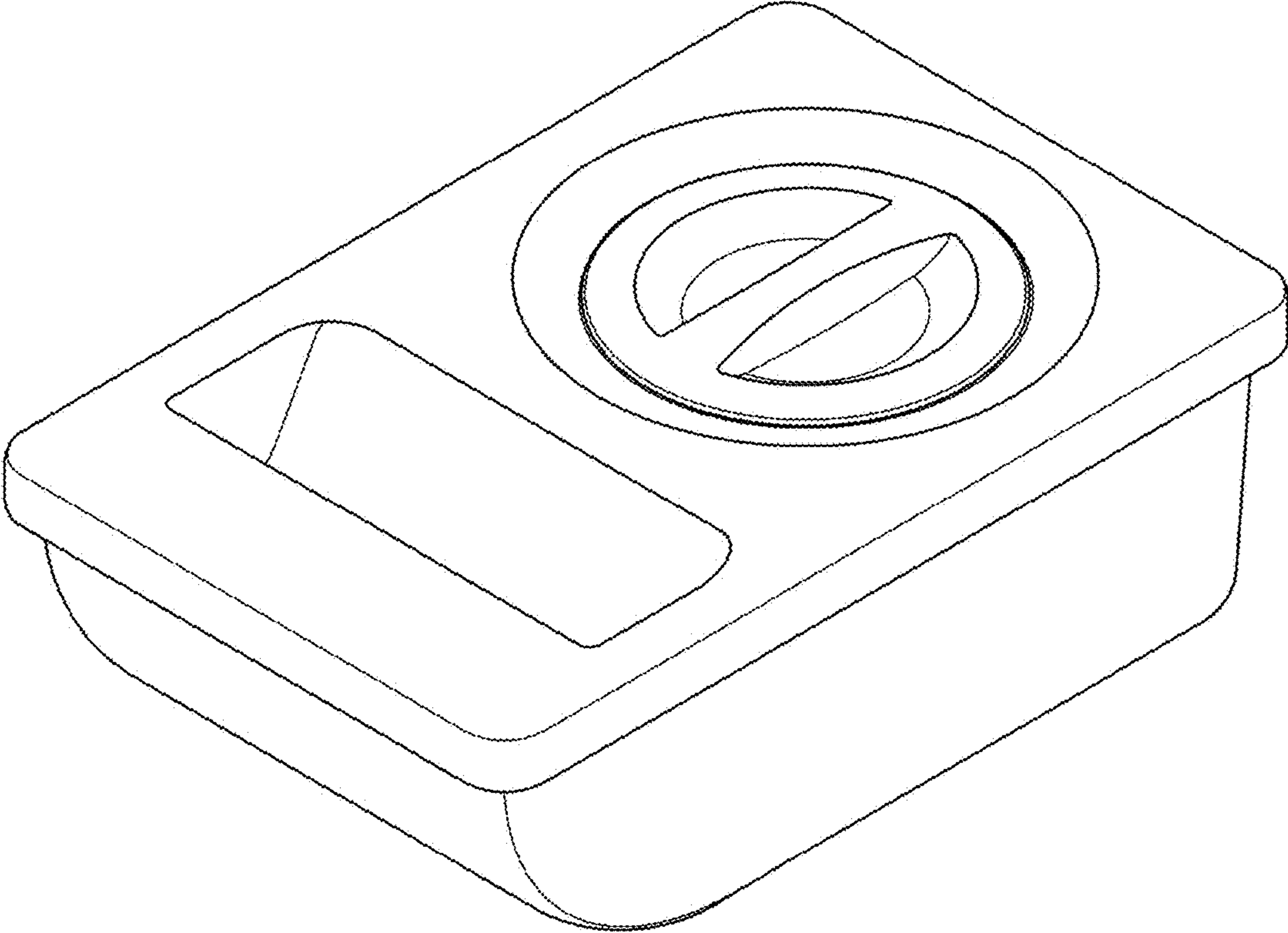
(56) **References Cited**

U.S. PATENT DOCUMENTS

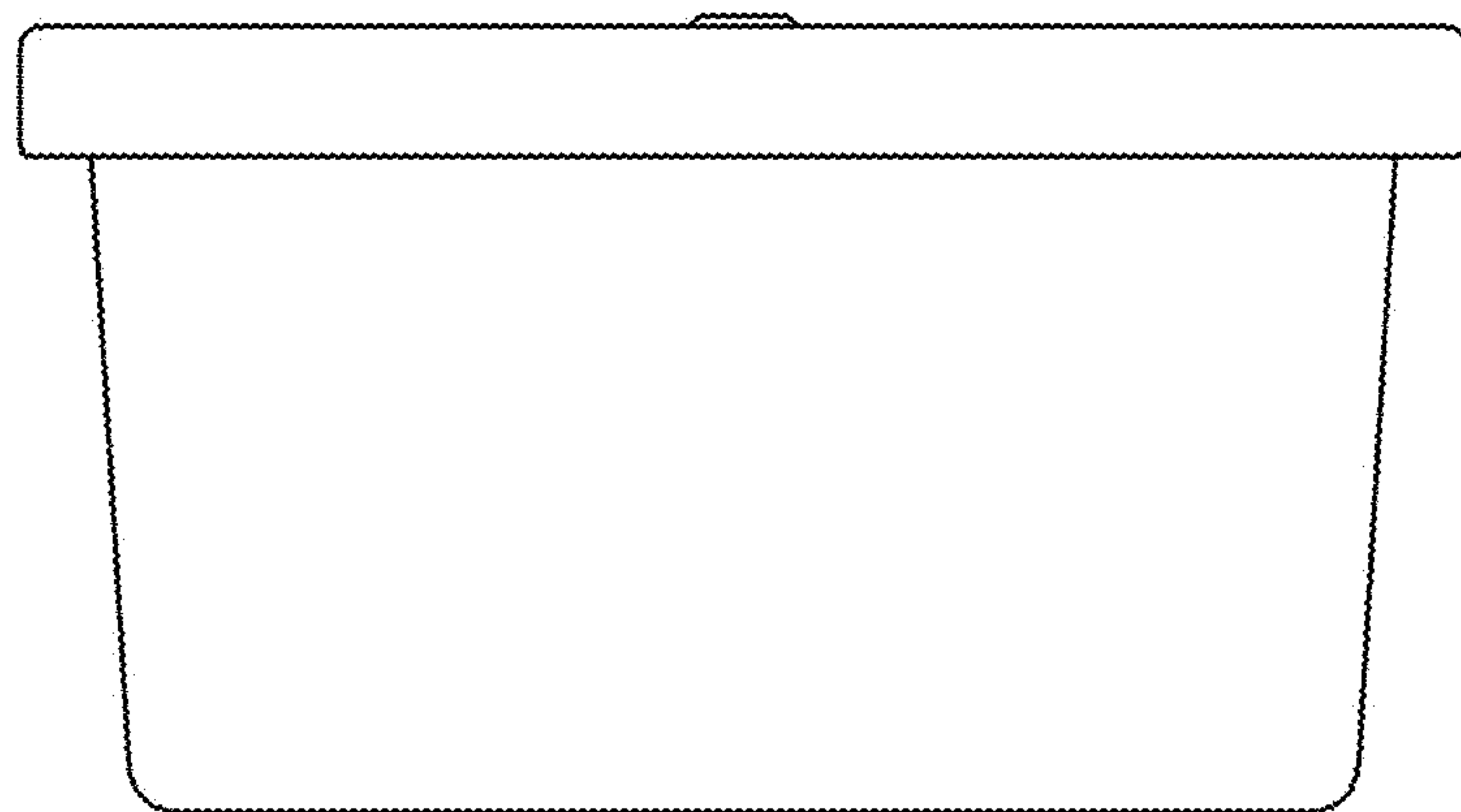
D862,015 S \* 10/2019 Kim ..... D32/25  
D894,508 S \* 8/2020 Kim ..... D32/29.1

\* cited by examiner

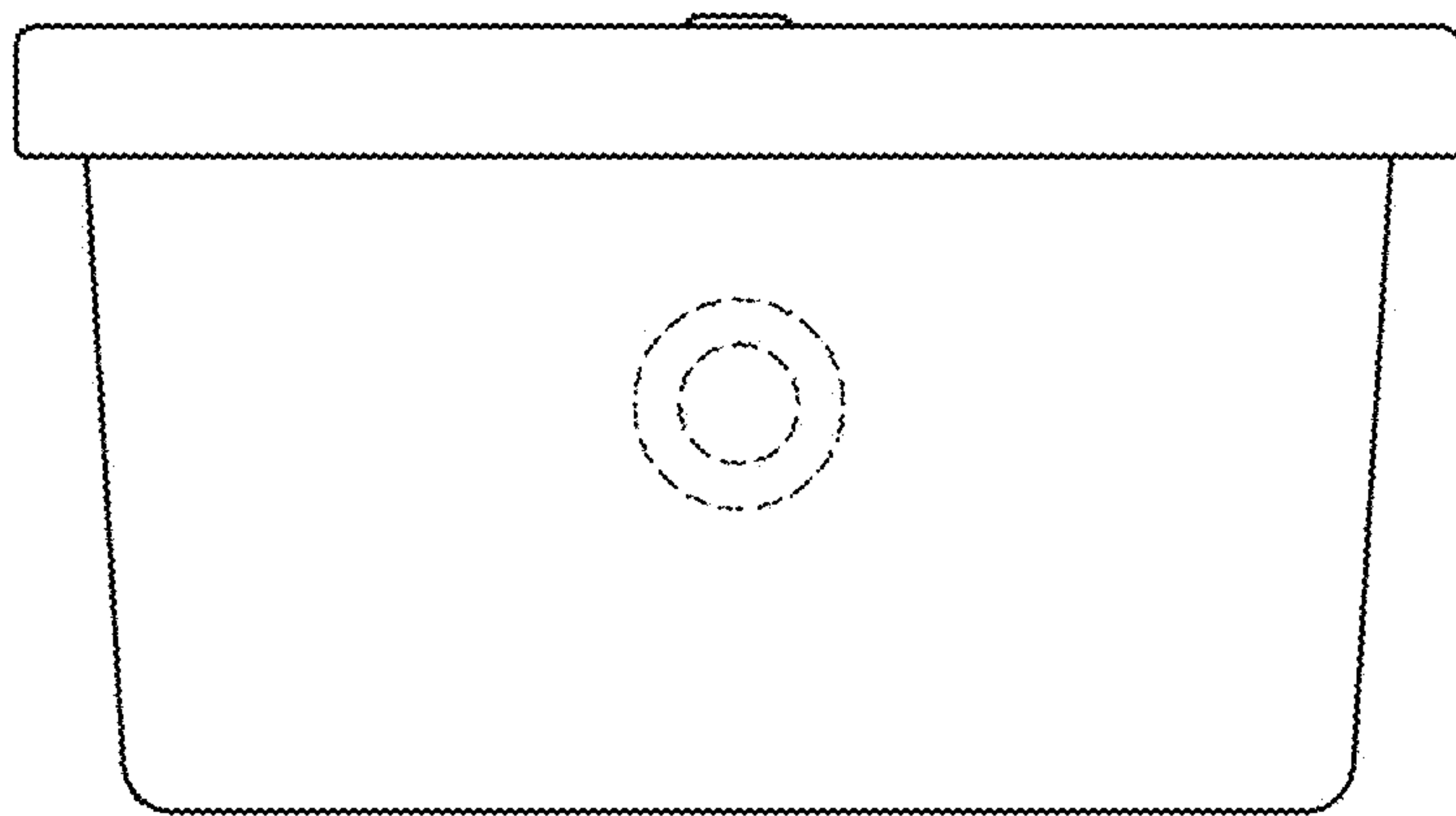
1.1



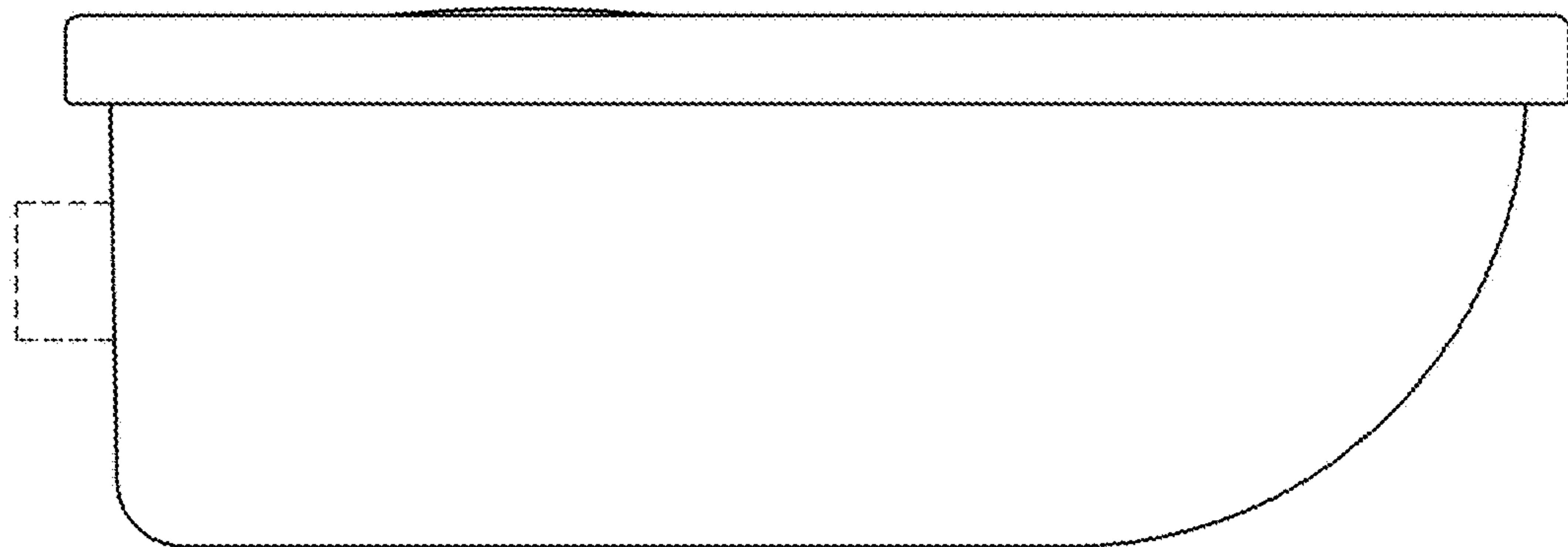
1.2



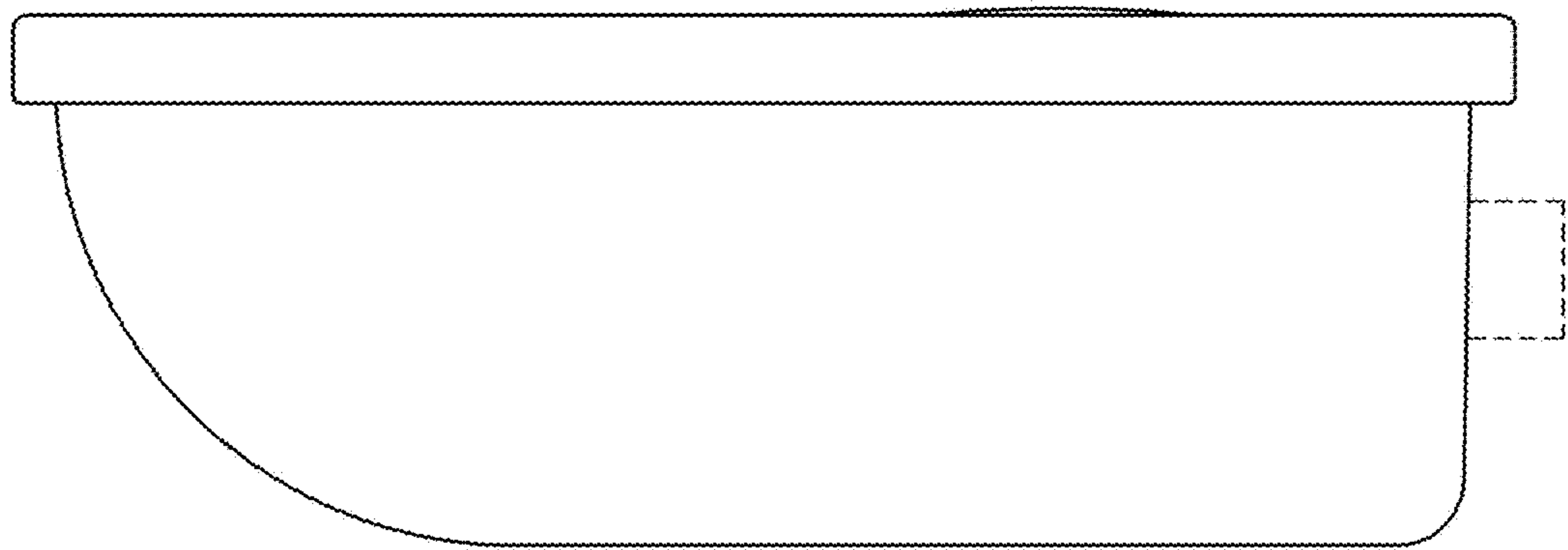
1.3



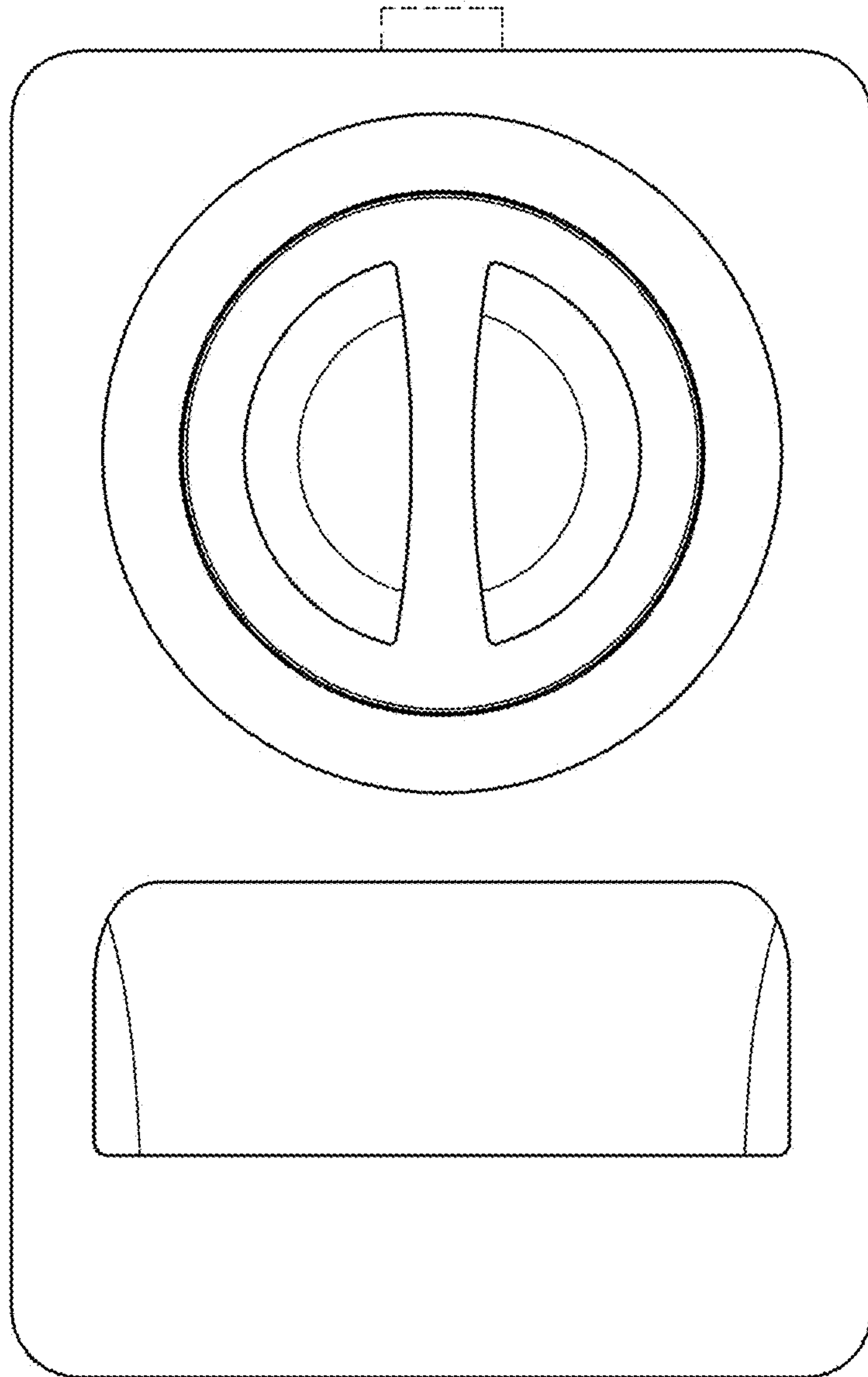
1.4



1.5

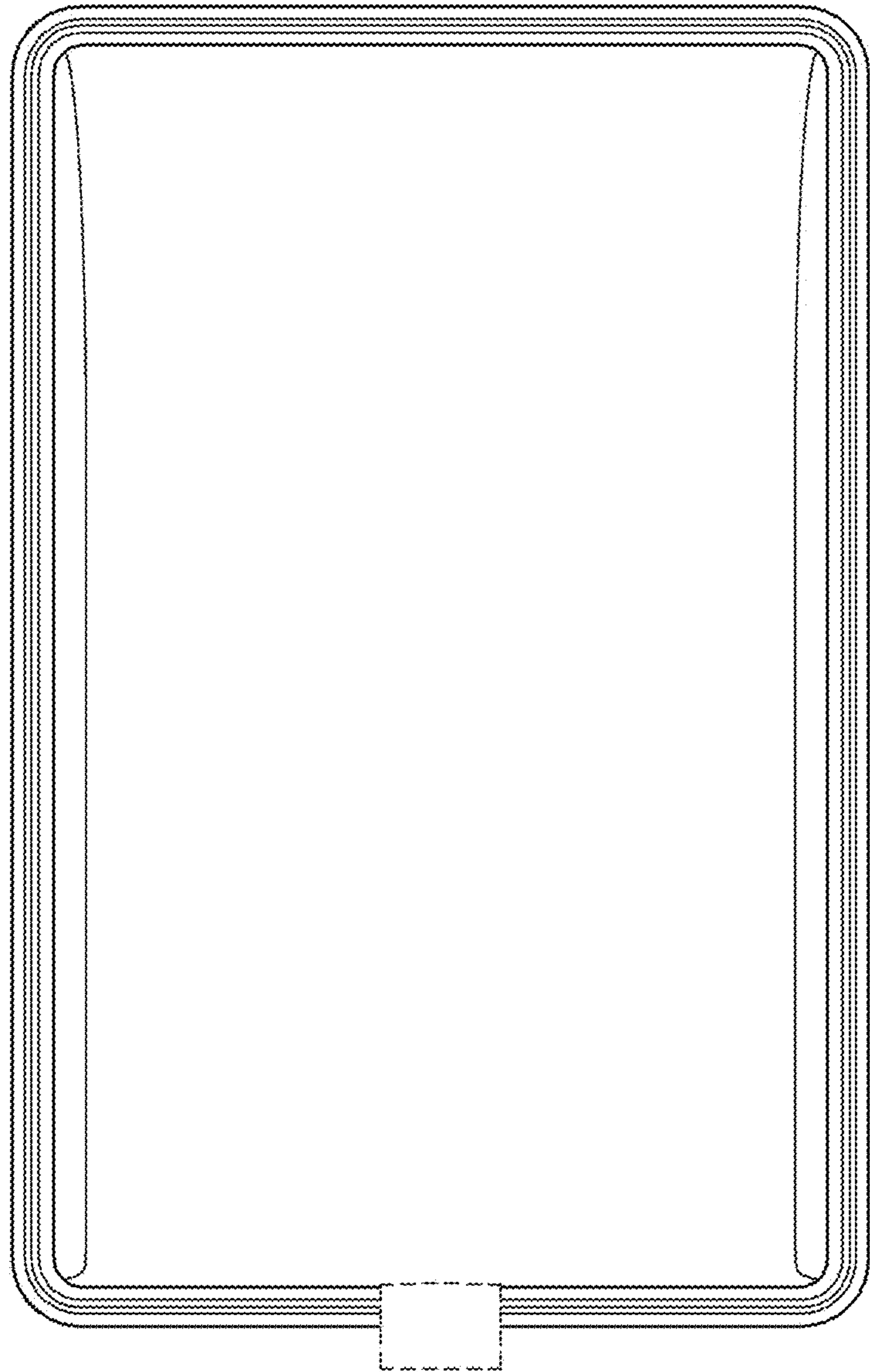


1.6





1.7



1.8

