



US00D916404S

(12) **United States Design Patent** (10) **Patent No.:** **US D916,404 S**  
**Qiu** (45) **Date of Patent:** **\*\* Apr. 13, 2021**

(54) **DUST COLLECTOR**  
(71) Applicant: **Ning Qiu**, Jiangsu Province (CN)  
(72) Inventor: **Ning Qiu**, Jiangsu Province (CN)  
(73) Assignee: **NANTONG TAIMEI ENVIRONMENTAL PROTECTION TECHNOLOGY**, Nantong (CN)

2011/0203238 A1\* 8/2011 Witter ..... B01D 46/0093  
55/356  
2012/0180662 A1\* 7/2012 Missalla ..... B04C 5/13  
95/271  
2014/0250625 A1\* 9/2014 Huang ..... B01D 45/16  
15/353  
2018/0339257 A1\* 11/2018 Cheng ..... B01D 46/0045  
2018/0345200 A1\* 12/2018 Cheng ..... B01D 50/002  
2019/0133393 A1\* 5/2019 Cheng ..... A47L 5/34  
2019/0336904 A1\* 11/2019 Choi ..... B05B 15/52

(\*\*) Term: **15 Years**

**OTHER PUBLICATIONS**

(21) Appl. No.: **29/672,947**

[https://www.amazon.com/Turbocharged-Generation-Industrial-Collector-Canister/dp/B07QM6DS75/ref=pd\\_sbs\\_328\\_5/141-0477245-4416008](https://www.amazon.com/Turbocharged-Generation-Industrial-Collector-Canister/dp/B07QM6DS75/ref=pd_sbs_328_5/141-0477245-4416008) (Year: 2020).\*

(22) Filed: **Dec. 11, 2018**

[https://www.amazon.com/Cyclone-Collector-Collection-Separator-Accessories/dp/B07XL8X3DG/ref=asc\\_df\\_B07XL8X3DG/](https://www.amazon.com/Cyclone-Collector-Collection-Separator-Accessories/dp/B07XL8X3DG/ref=asc_df_B07XL8X3DG/) (Year: 2020).\*

(30) **Foreign Application Priority Data**

[https://www.amazon.com/Oneida-Air-Systems-Deputy-Deluxe/dp/B06Y37FF9D/ref=pd\\_di\\_sccai\\_3/141-0477245-4416008](https://www.amazon.com/Oneida-Air-Systems-Deputy-Deluxe/dp/B06Y37FF9D/ref=pd_di_sccai_3/141-0477245-4416008) (Year: 2020).\*

Jun. 12, 2018 (CN) ..... 201830294981.4

(51) **LOC (13) Cl.** ..... **15-05**

(52) **U.S. Cl.**  
USPC ..... **D32/21**

(58) **Field of Classification Search**  
USPC ..... D32/17-24  
CPC .. B05B 15/52; B01D 50/002; B01D 46/0045;  
B01D 45/16; B01D 46/0093; A47L 5/34;  
A47L 9/1608  
See application file for complete search history.

\* cited by examiner

*Primary Examiner* — Michelle E. Wilson  
*Assistant Examiner* — Richard E Yenchesky

(57) **CLAIM**

The ornamental design for a dust collector, as shown and described.

(56) **References Cited**

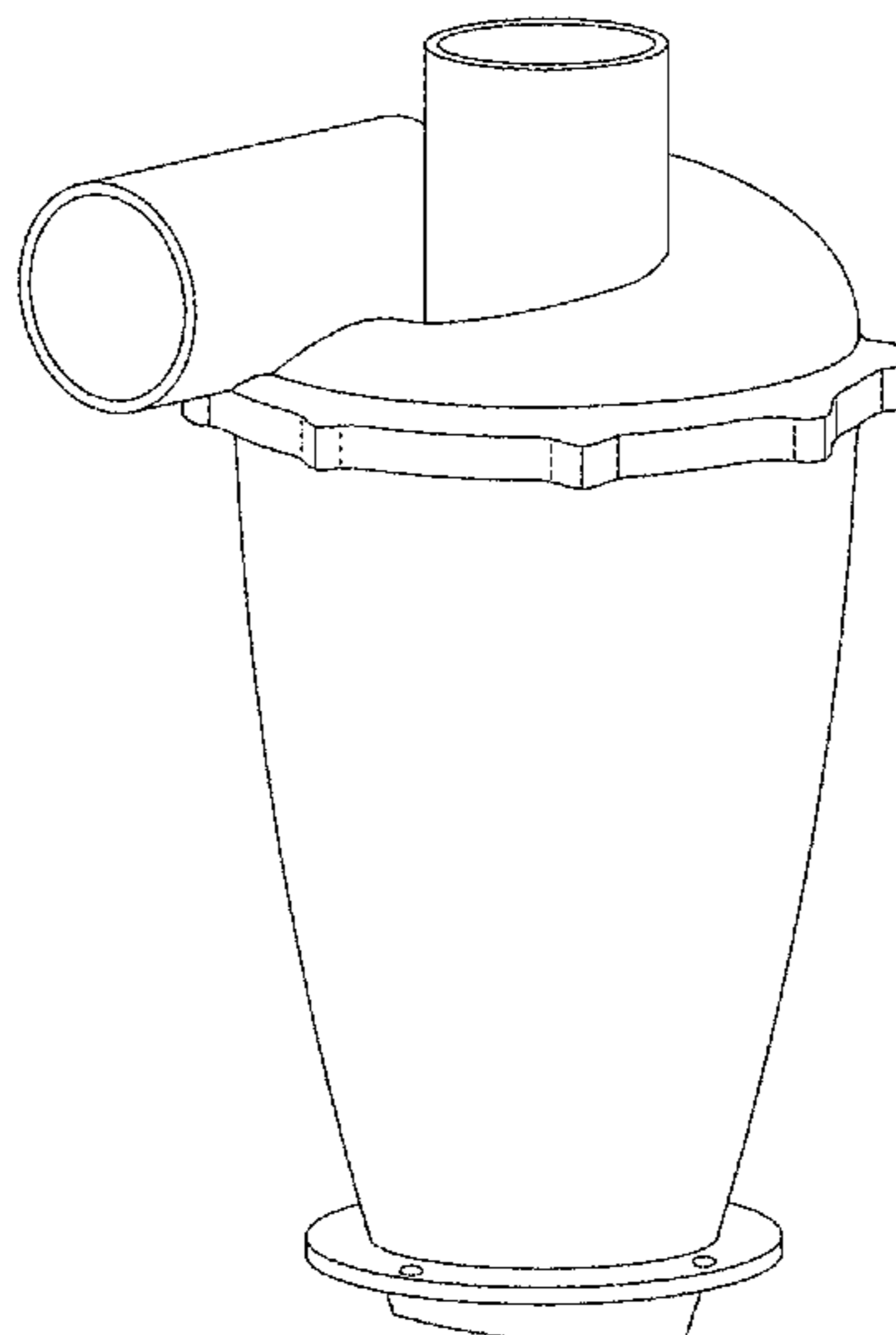
**DESCRIPTION**

**U.S. PATENT DOCUMENTS**

6,129,775 A \* 10/2000 Conrad ..... A47L 9/1608  
55/337  
6,361,576 B1 \* 3/2002 Andriola ..... B01D 45/16  
55/459.1  
6,679,930 B1 \* 1/2004 An ..... A47L 9/1608  
55/337  
D527,852 S \* 9/2006 Tsai ..... D32/21  
D703,401 S \* 4/2014 Hill ..... D32/31  
2001/0005986 A1 \* 7/2001 Matsubara ..... B04C 5/103  
55/459.1  
2004/0187449 A1 \* 9/2004 Witter ..... B04C 9/00  
55/337

FIG. 1 is a front elevational view of a dust collector showing my new design;  
FIG. 2 is a rear elevational view thereof;  
FIG. 3 is a left side view thereof;  
FIG. 4 is a right side view thereof;  
FIG. 5 is a top plan view thereof;  
FIG. 6 is a bottom plan view thereof; and,  
FIG. 7 is a perspective view thereof.  
The broken lines shown in dust collector form no part of the claimed design.

**1 Claim, 6 Drawing Sheets**



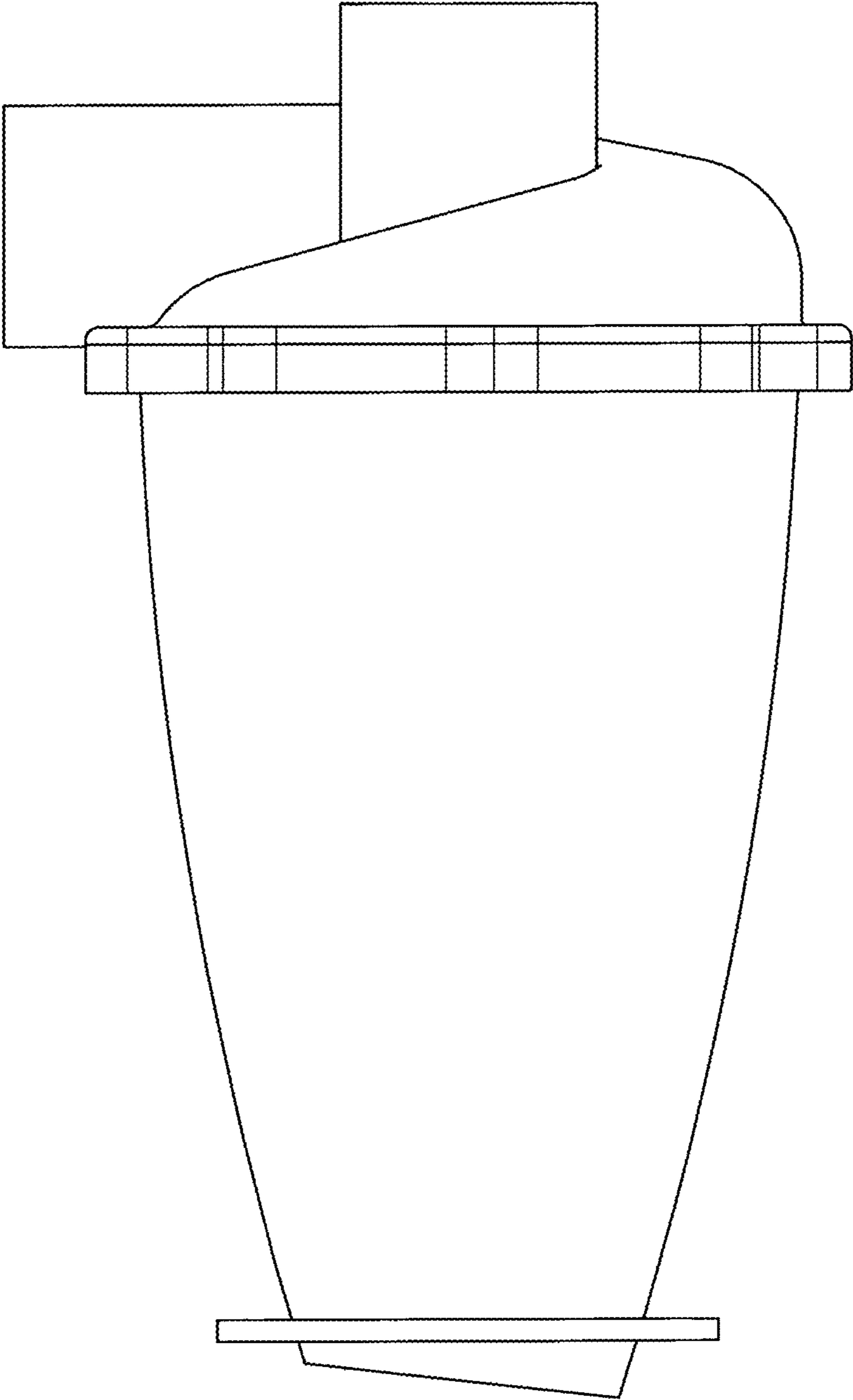


FIG. 1

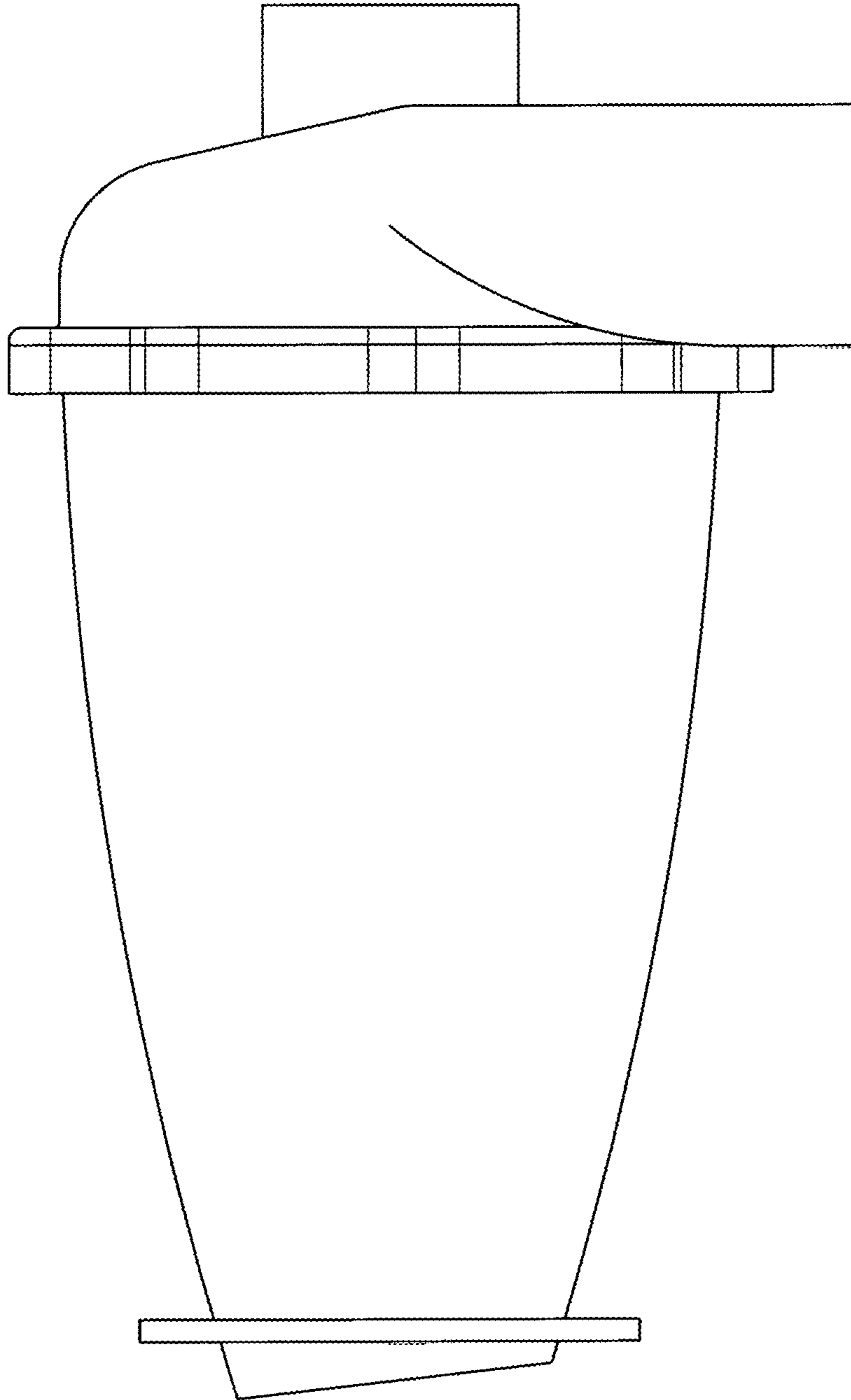


FIG. 2

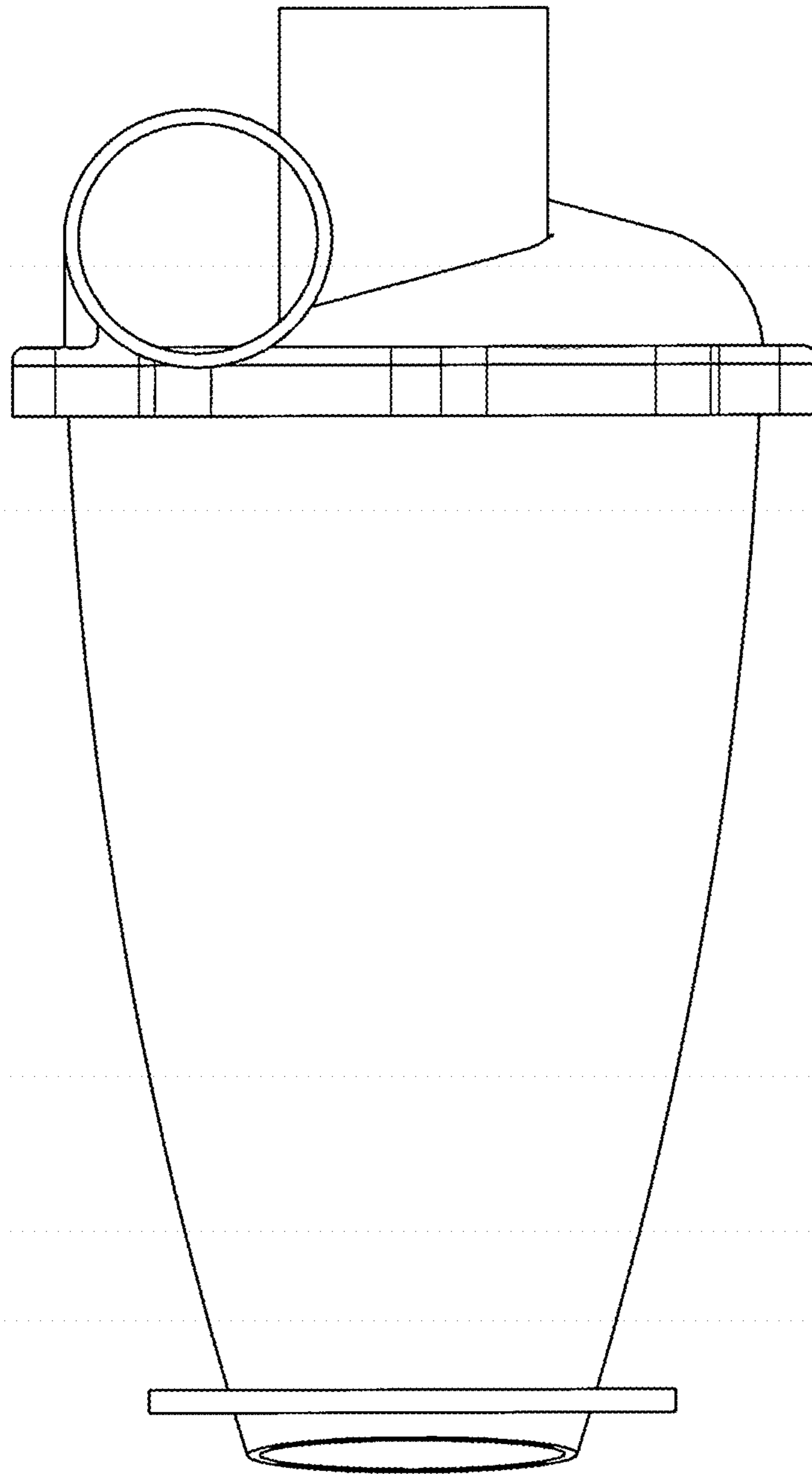


FIG. 3

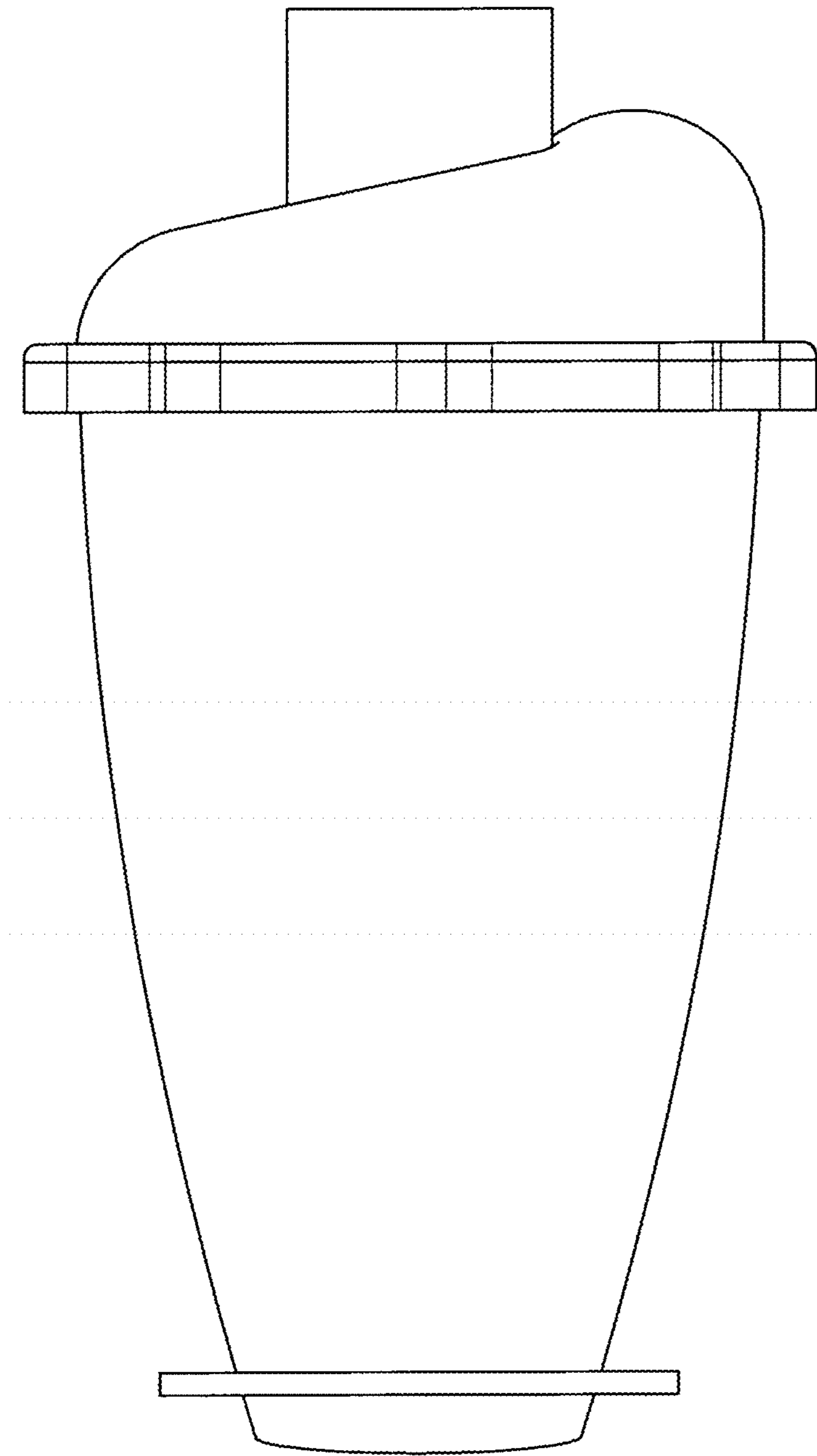


FIG. 4

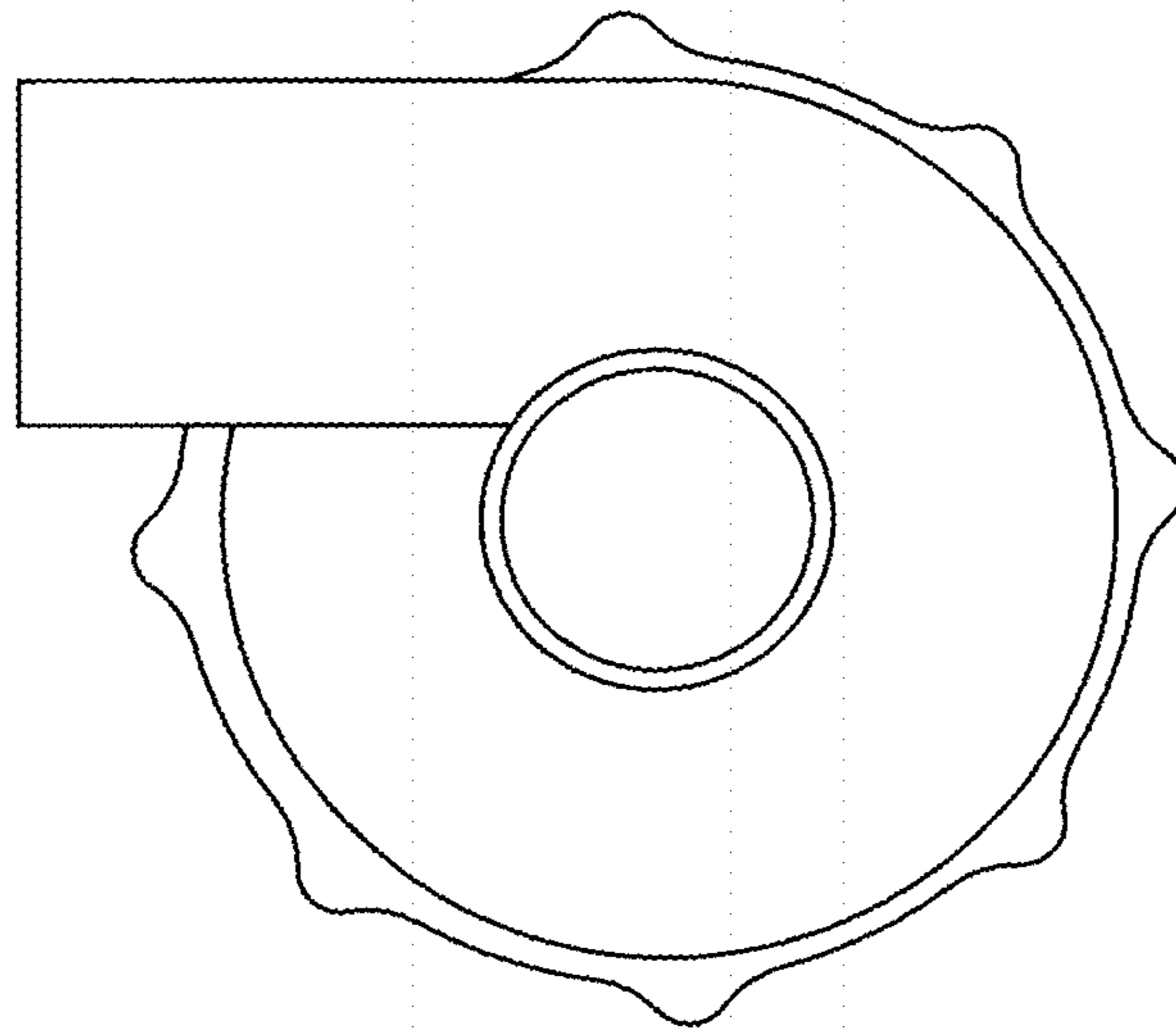


FIG. 5

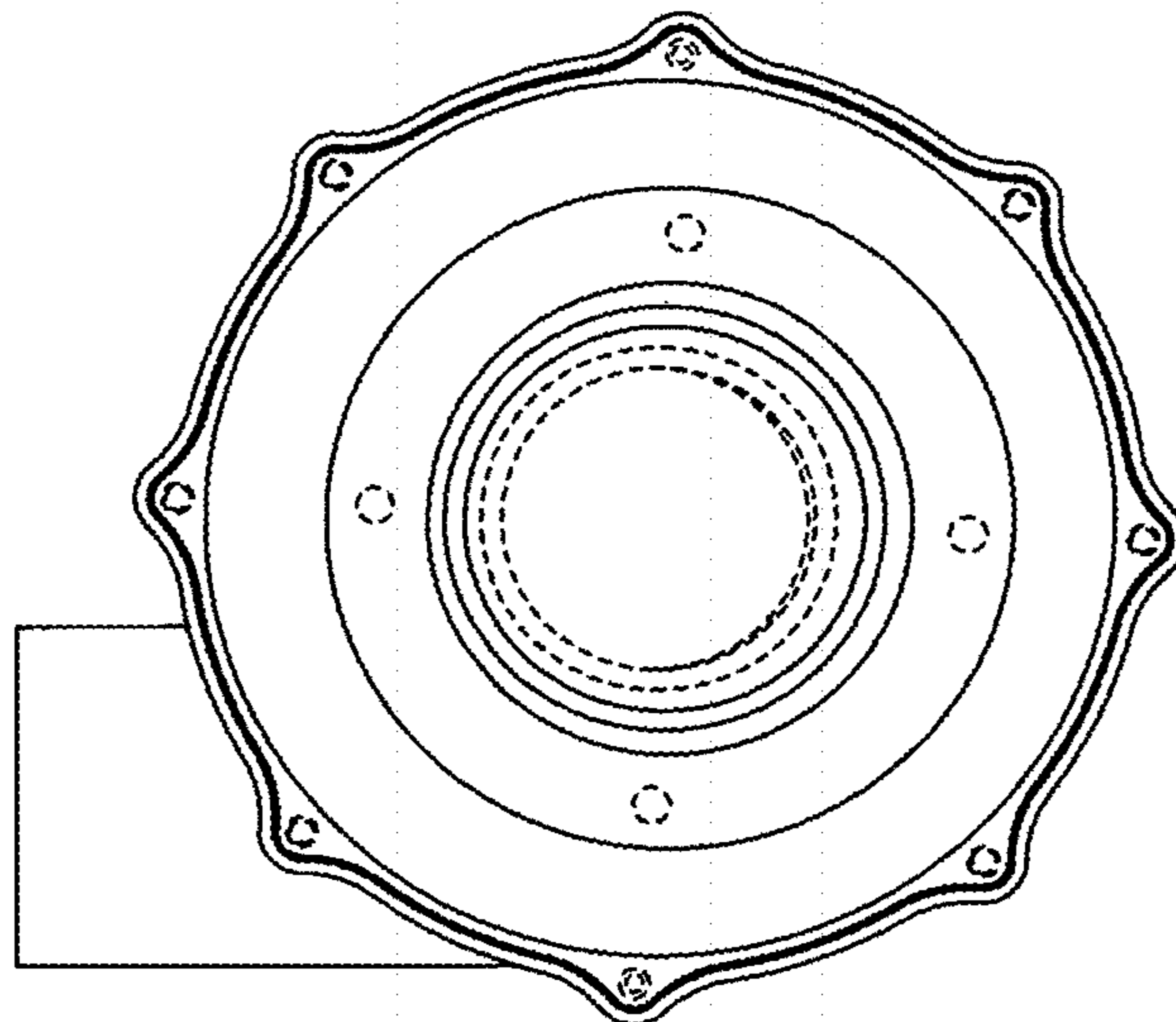


FIG. 6

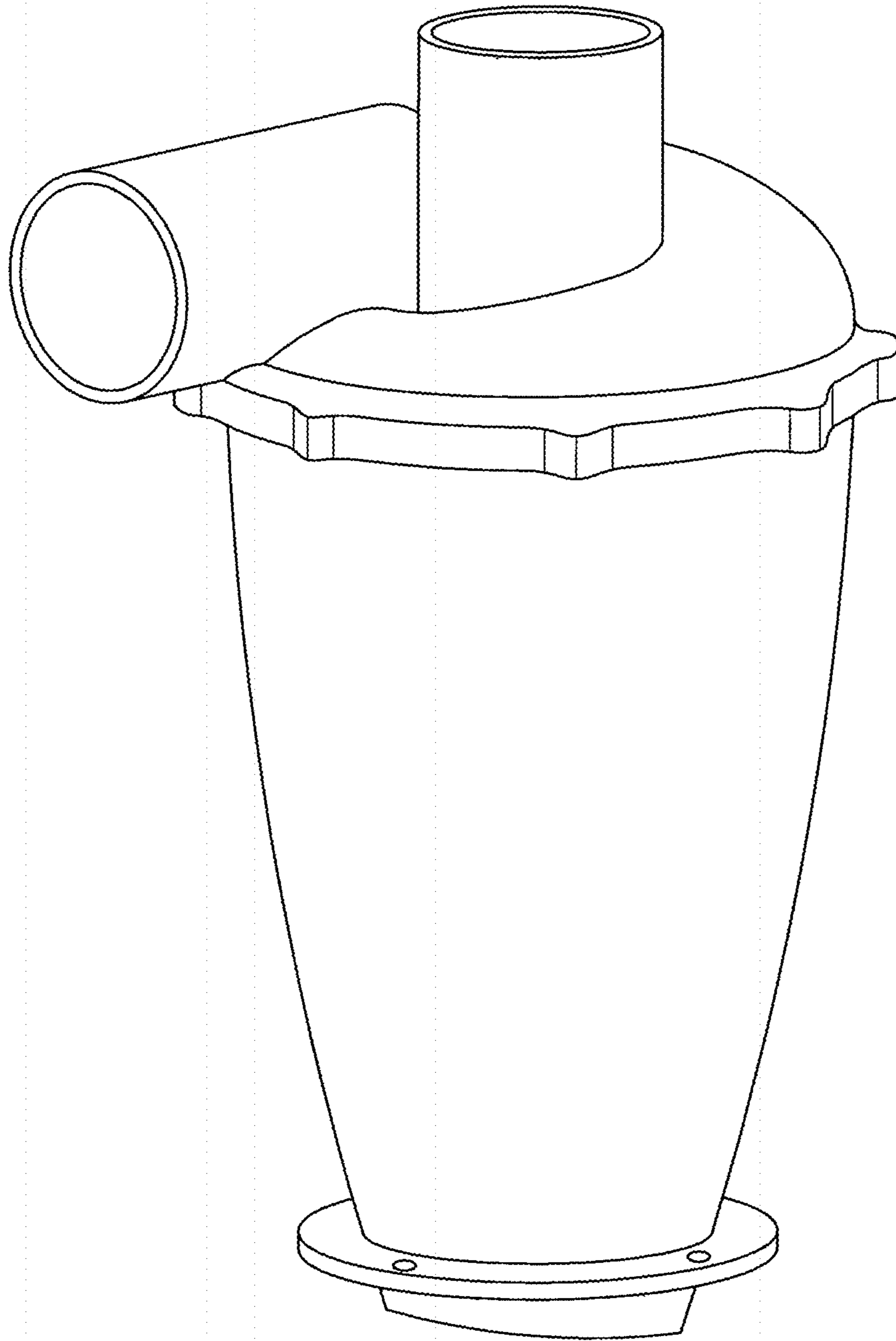


FIG. 7