



US00D916403S

(12) **United States Design Patent** (10) **Patent No.:** **US D916,403 S**
Qiu (45) **Date of Patent:** **** Apr. 13, 2021**

(54) **DUST COLLECTOR**
(71) Applicant: **Ning Qiu**, Jiangsu Province (CN)
(72) Inventor: **Ning Qiu**, Jiangsu Province (CN)
(73) Assignee: **NANTONG TAIMEI ENVIRONMENTAL PROTECTION TECHNOLOGY**, Nantong (CN)
(**) Term: **15 Years**
(21) Appl. No.: **29/672,943**
(22) Filed: **Dec. 11, 2018**
(30) **Foreign Application Priority Data**
Jun. 12, 2018 (CN) 201830294998.X
(51) **LOC (13) Cl.** **15-05**
(52) **U.S. Cl.**
USPC **D32/21**
(58) **Field of Classification Search**
USPC D32/17-24
CPC .. B05B 15/52; B01D 50/002; B01D 46/0045;
B01D 45/16; B01D 46/0093; A47L 5/34;
A47L 9/1608
See application file for complete search history.

2004/0187449 A1* 9/2004 Witter B04C 9/00
55/337
2011/0203238 A1* 8/2011 Witter B01D 46/0093
55/356
2012/0180662 A1* 7/2012 Missalla B04C 5/13
95/271
2014/0250625 A1* 9/2014 Huang B01D 45/16
15/353
2018/0339257 A1* 11/2018 Cheng B01D 46/0045
2018/0345200 A1* 12/2018 Cheng B01D 50/002
2019/0133393 A1* 5/2019 Cheng A47L 5/34
2019/0336904 A1* 11/2019 Choi B05B 15/52

OTHER PUBLICATIONS

https://www.amazon.com/Turbocharged-Generation-Industrial-Collector-Canister/dp/B07QM6DS75/ref=pd_sbs_328_5/141-0477245-4416008 (Year: 2020).*
https://www.amazon.com/Cyclone-Collector-Collection-Separator-Accessories/dp/B07XL8X3DG/ref=asc_df_B07XL8X3DG/ (Year: 2020).*
https://www.amazon.com/Oneida-Air-Systems-Deputy-Deluxe/dp/B06Y37FF9D/ref=pd_di_sccai_3/141-0477245-4416008 (Year: 2020).*

* cited by examiner

Primary Examiner — Michelle E. Wilson
Assistant Examiner — Richard E. Yenchesky

(57) **CLAIM**

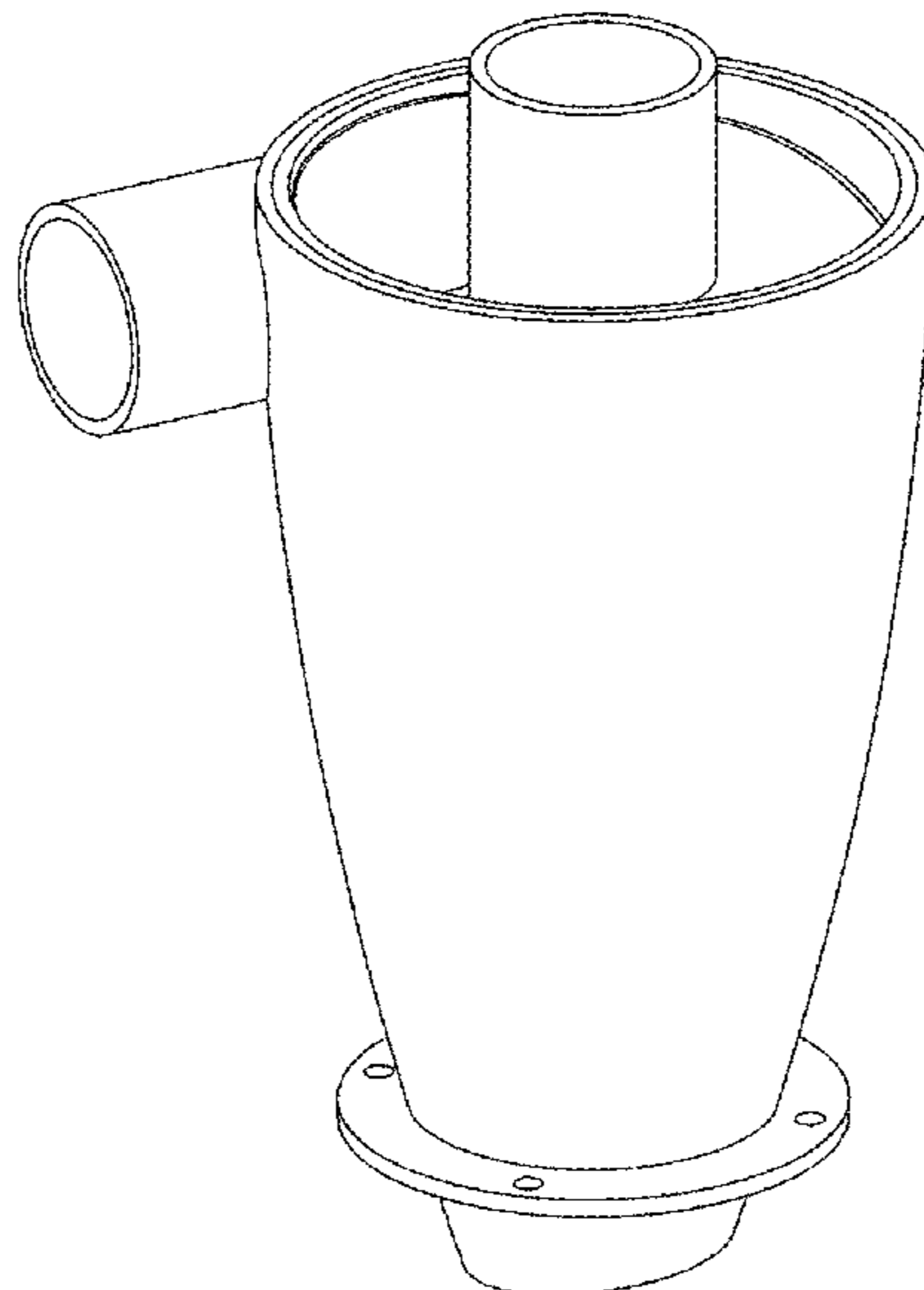
The ornamental design for a dust collector, as shown.

DESCRIPTION

FIG. 1 is a front elevational view of a dust collector showing my new design;
FIG. 2 is a rear elevational view thereof;
FIG. 3 is a left side view thereof;
FIG. 4 is a right side view thereof;
FIG. 5 is a top plan view thereof;
FIG. 6 is a bottom plan view thereof; and,
FIG. 7 is a perspective view thereof.

1 Claim, 6 Drawing Sheets

(56) **References Cited**
U.S. PATENT DOCUMENTS
6,129,775 A * 10/2000 Conrad A47L 9/1608
55/337
6,361,576 B1 * 3/2002 Andriola B01D 45/16
55/459.1
6,679,930 B1 * 1/2004 An A47L 9/1608
55/337
D527,852 S * 9/2006 Tsai D32/21
D703,401 S * 4/2014 Hill D32/31
2001/0005986 A1 * 7/2001 Matsubara B04C 5/103
55/459.1



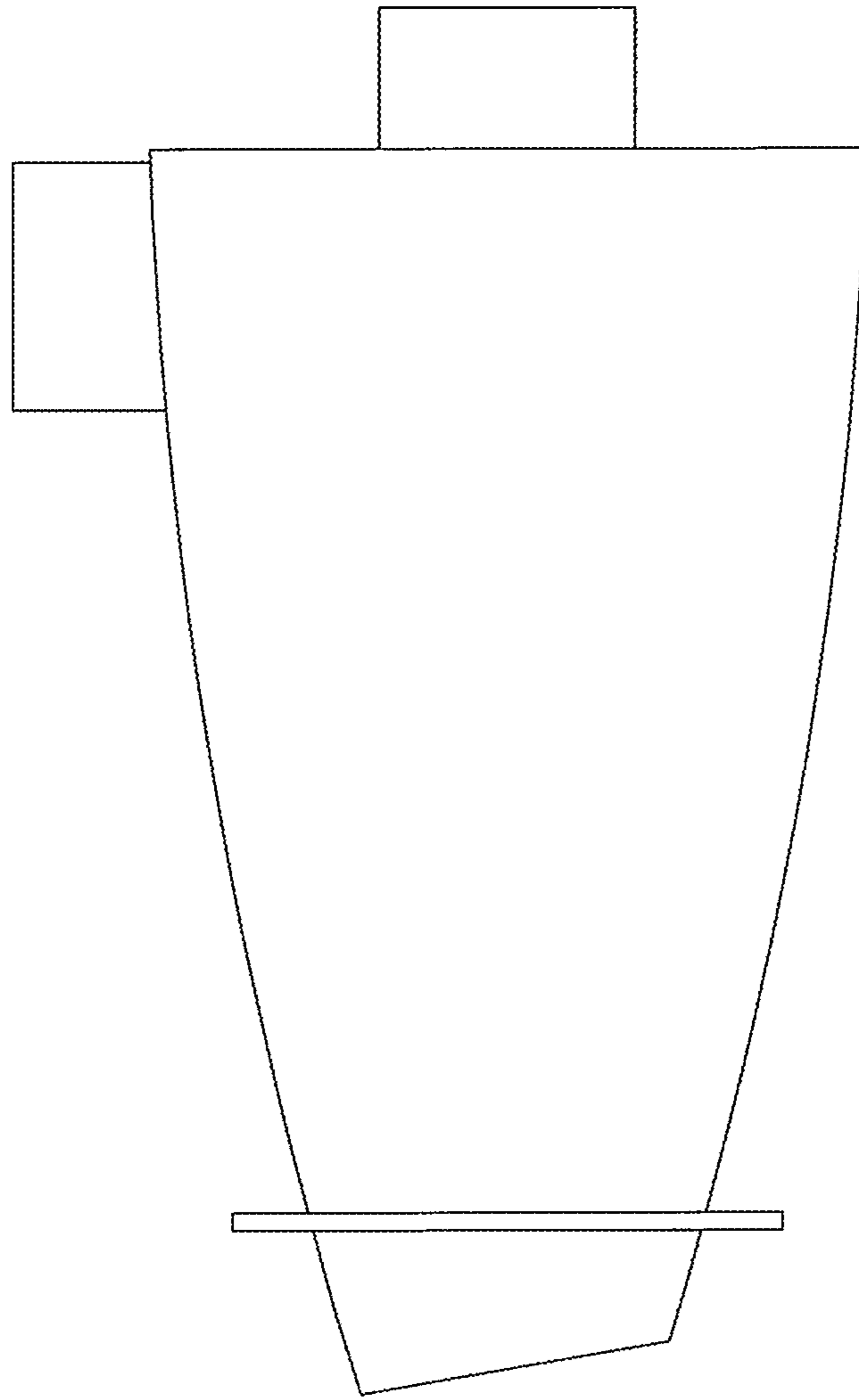


FIG.1

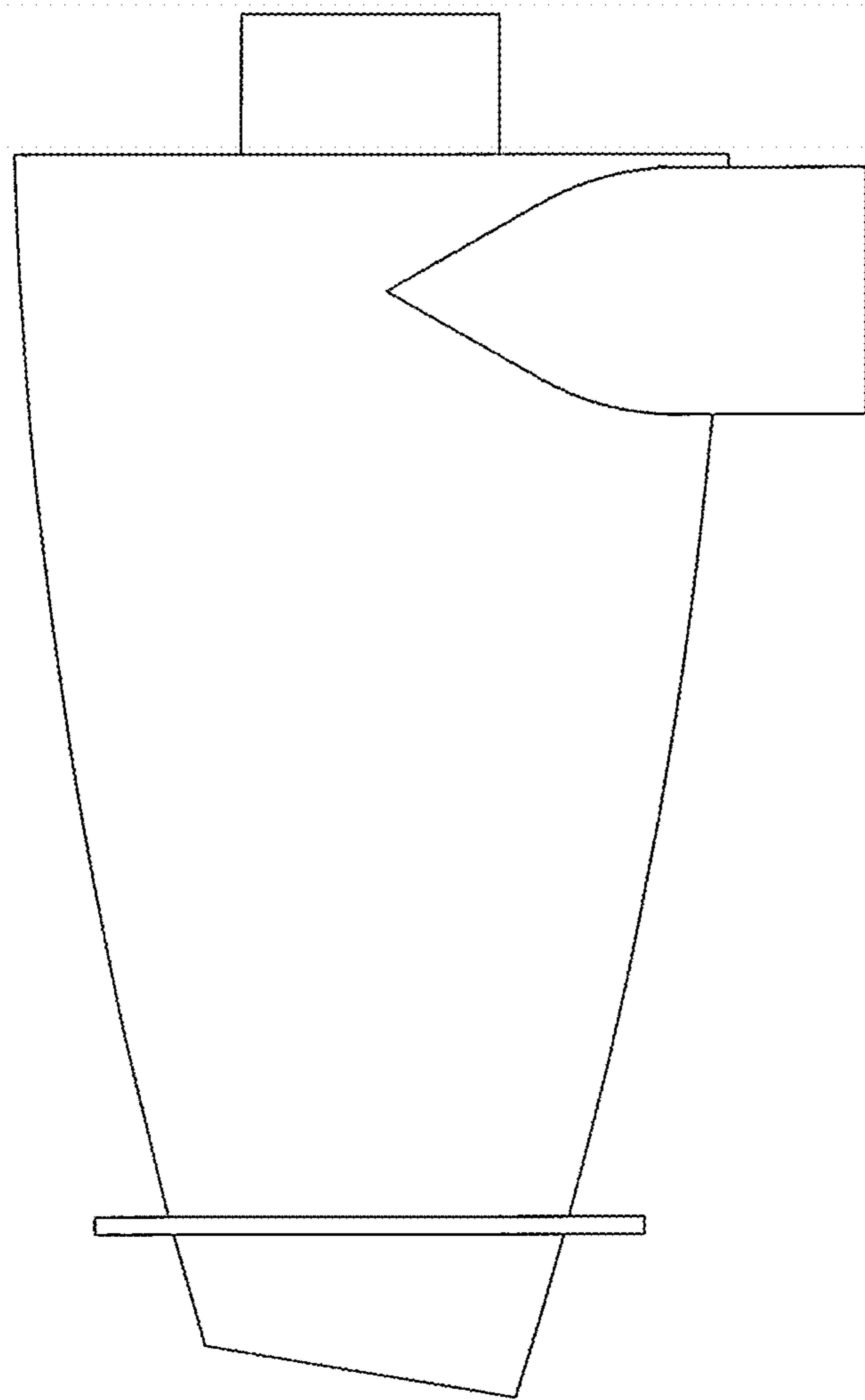


FIG.2

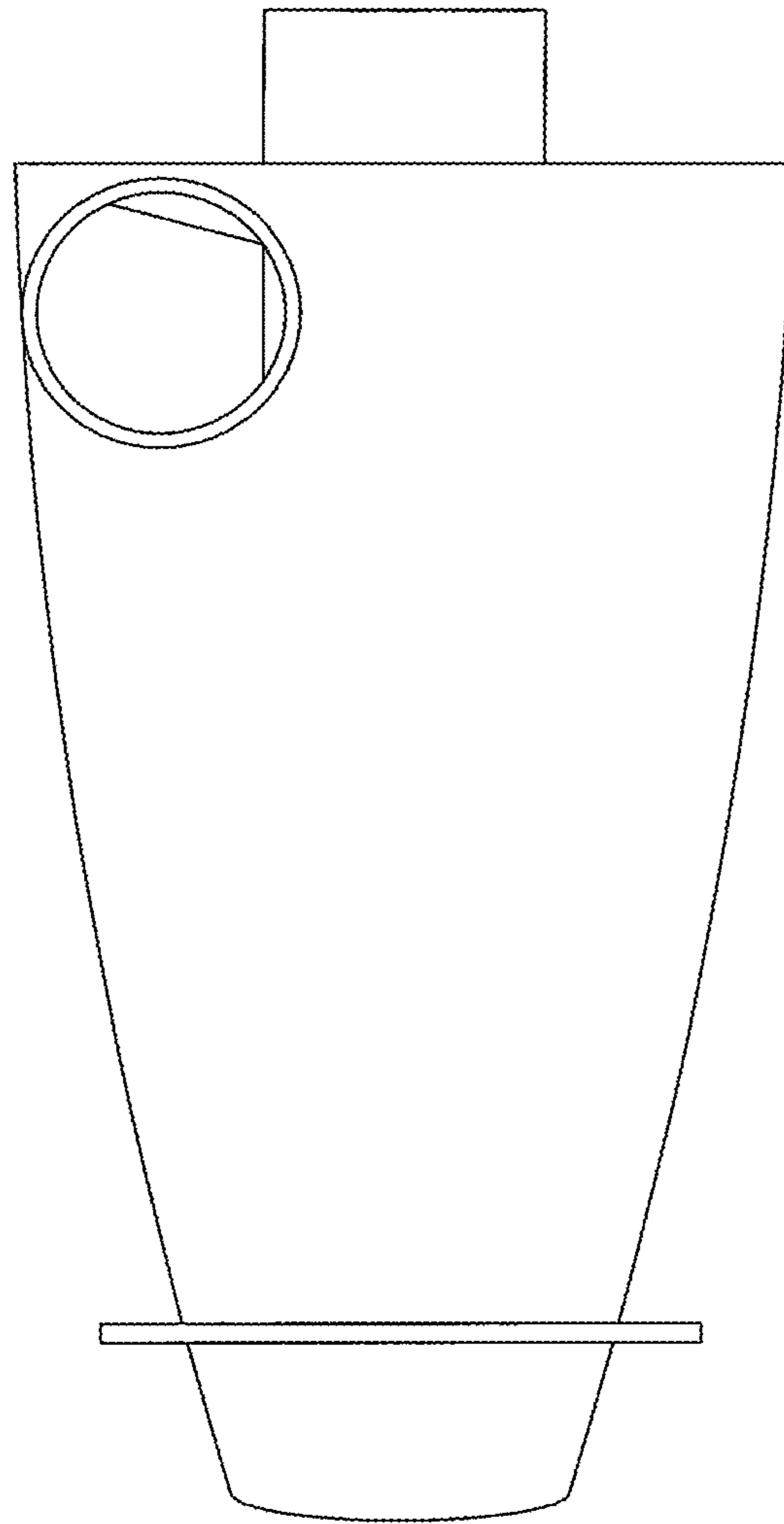


FIG. 3

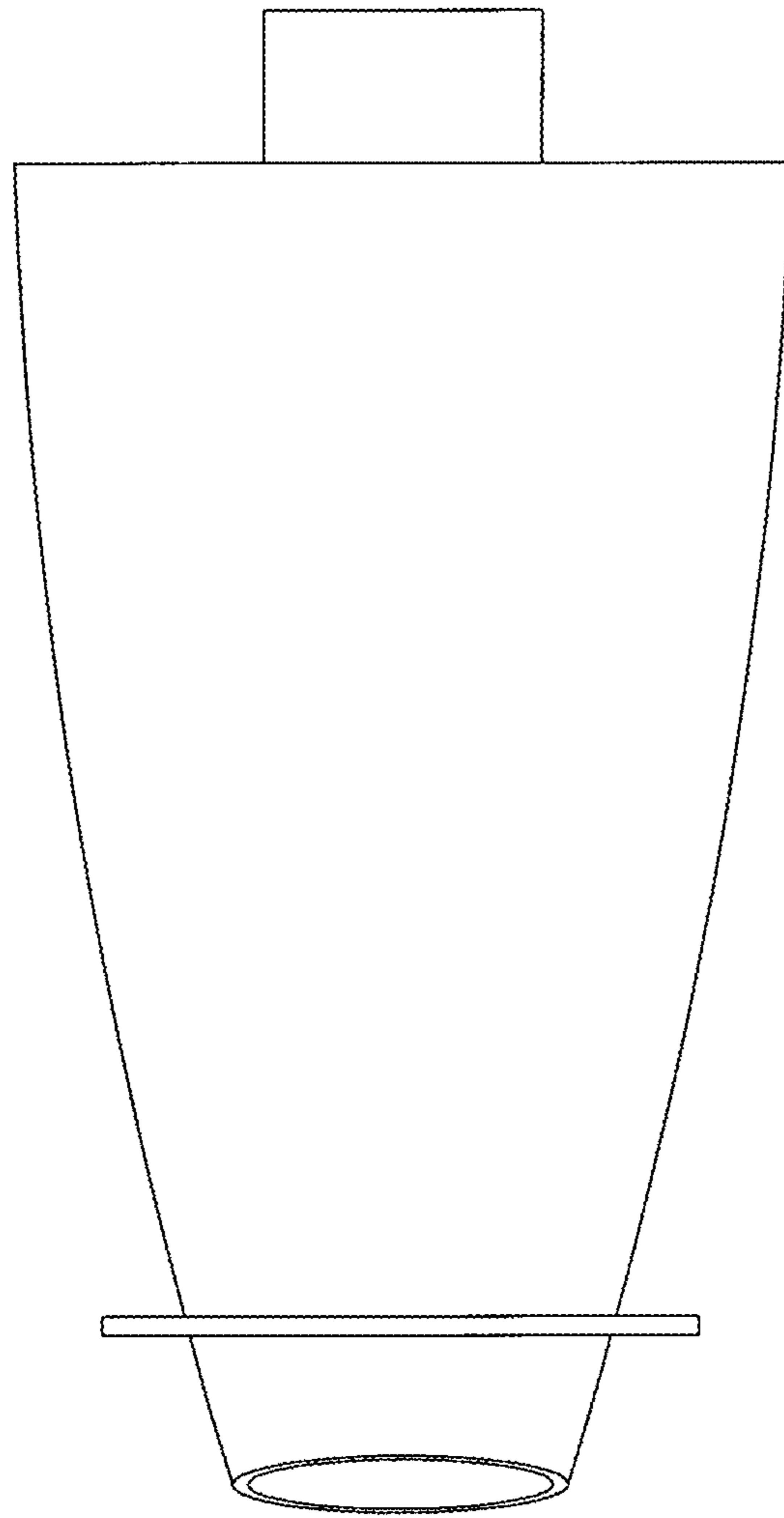


FIG. 4

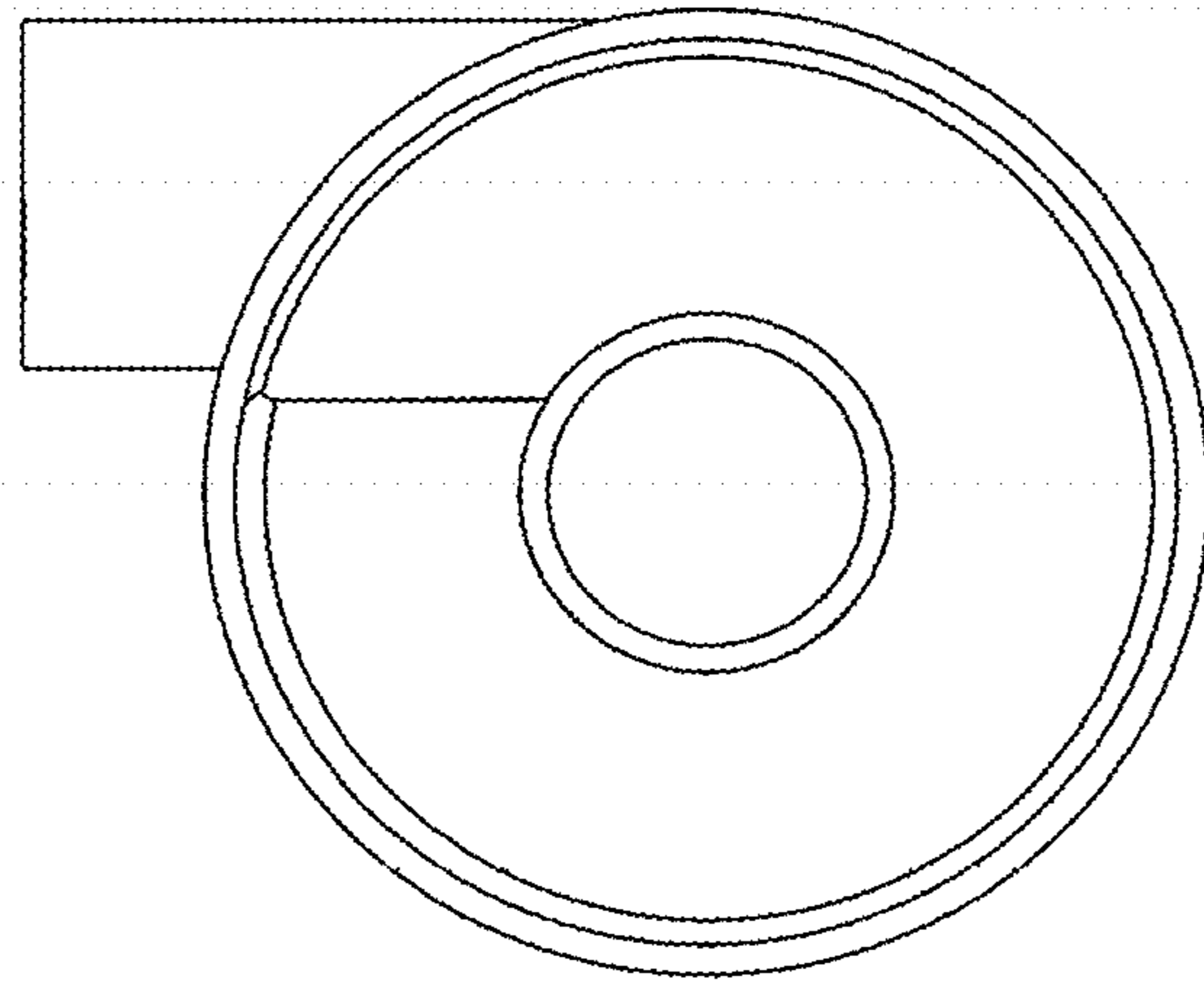


FIG. 5

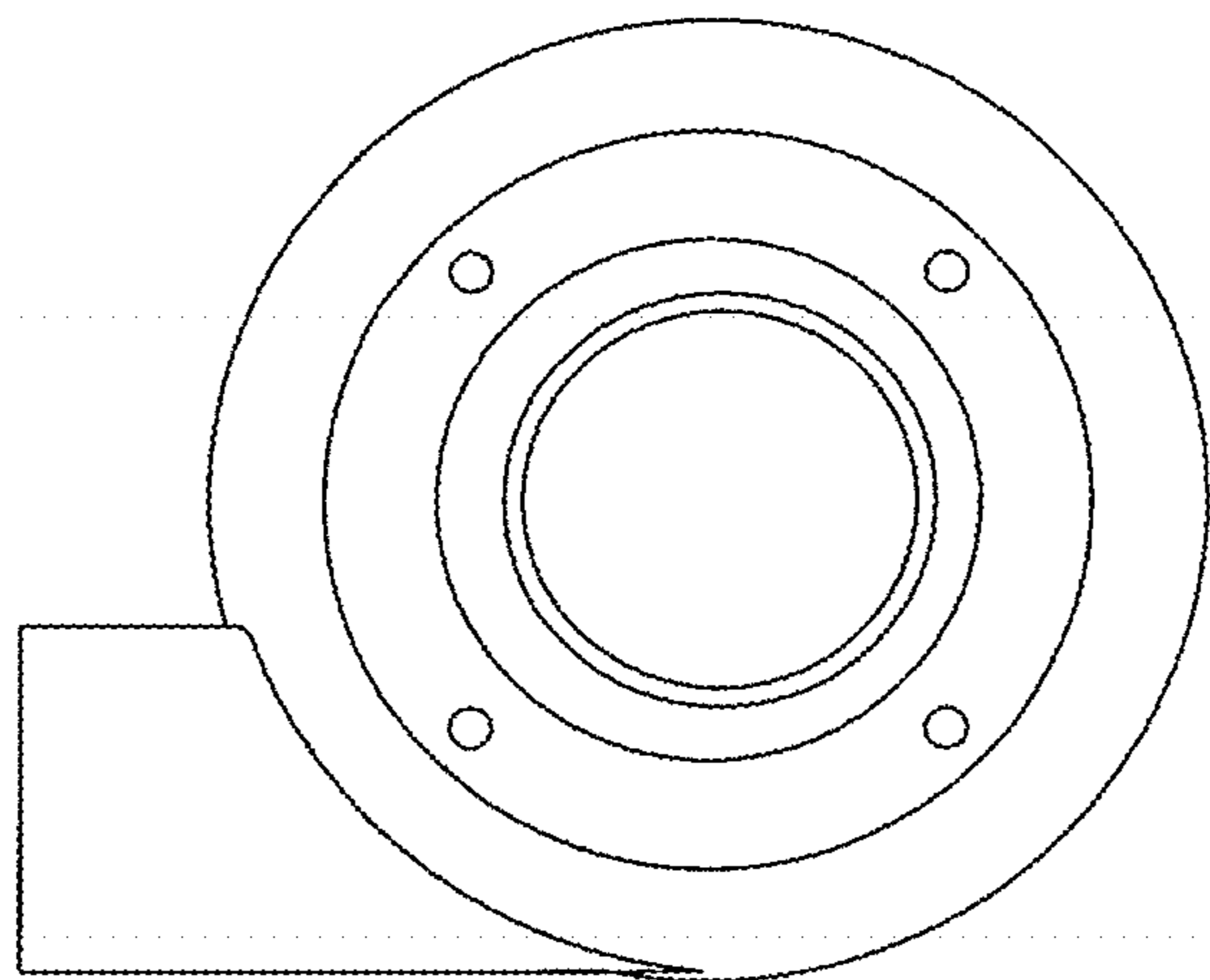


FIG. 6

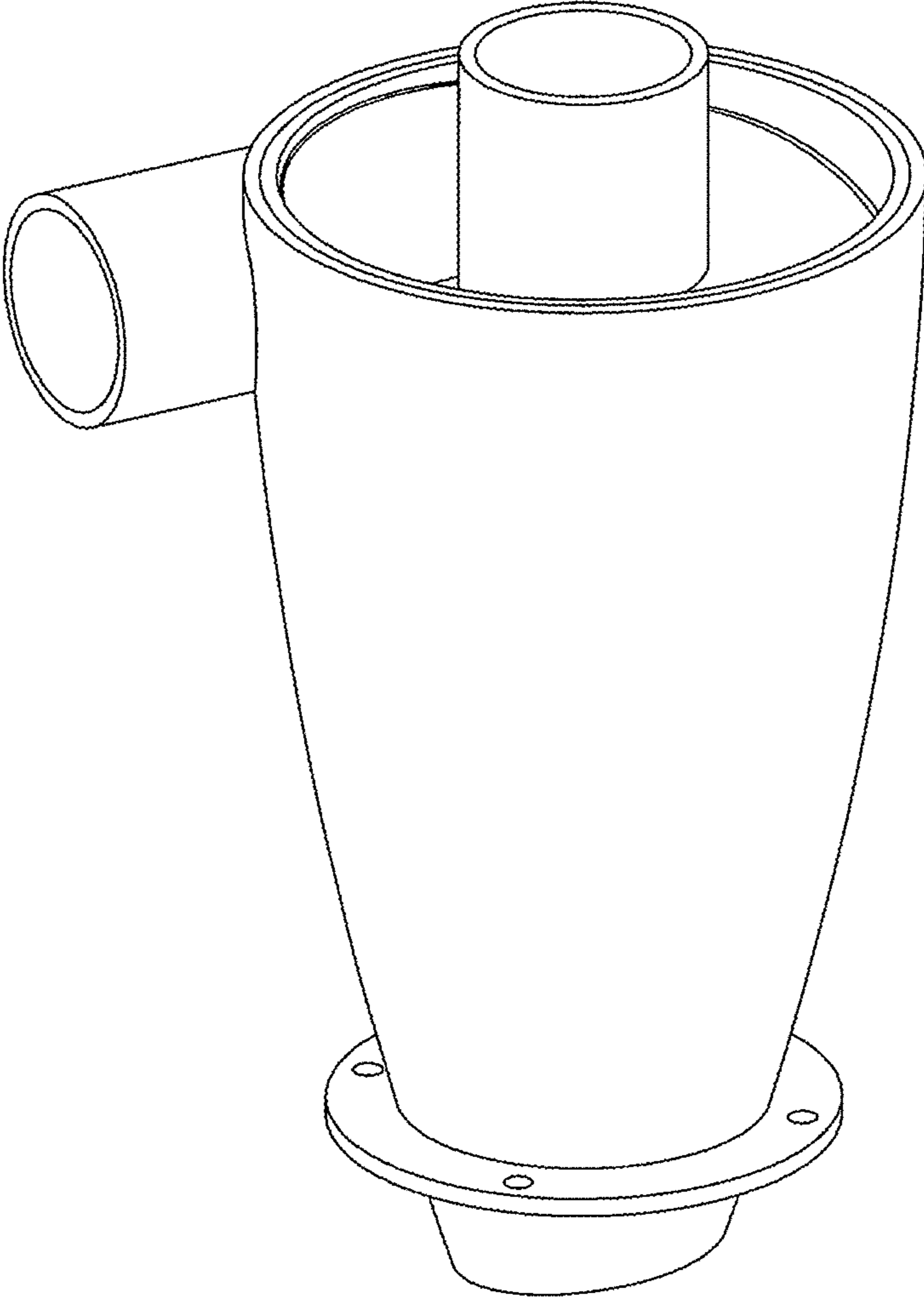


FIG. 7