



US00D916401S

(12) **United States Design Patent** (10) **Patent No.:** **US D916,401 S**
Bixby et al. (45) **Date of Patent:** **** Apr. 13, 2021**

- (54) **TOPLOAD WASHING APPLIANCE**
(71) Applicant: **WHIRLPOOL CORPORATION**,
Benton Harbor, MI (US)
(72) Inventors: **Seth E. Bixby**, Stevensville, MI (US);
Samuel B. Breneman, St. Joseph, MI
(US); **Richard K. Gresens**, St. Joseph,
MI (US); **John W. McConnell**, St.
Joseph, MI (US); **Patrick J. Schiavone**,
Benton Harbor, MI (US)
(73) Assignee: **Whirlpool Corporation**, Benton
Harbor, MI (US)
(**) Term: **15 Years**
(21) Appl. No.: **29/646,843**
(22) Filed: **May 8, 2018**

Related U.S. Application Data

- (63) Continuation of application No. 29/583,710, filed on
Nov. 8, 2016, now Pat. No. Des. 824,607, which is a
continuation of application No. 29/499,738, filed on
Aug. 19, 2014, now Pat. No. Des. 774,713.
(51) **LOC (13) Cl.** **15-05**
(52) **U.S. Cl.**
USPC **D32/6**
(58) **Field of Classification Search**
USPC D32/6, 1-4, 8, 10, 25, 28, 29; 68/3 R,
68/5 R, 11, 13; 34/108, 130, 131, 132,
34/595, 596, 597
CPC D06F 21/10; D06F 21/02; D06F 21/04;
D06F 21/06; D06F 21/08; D06F 21/00;
D06F 21/12; D06F 23/02; D06F 23/04;
D06F 23/06; D06F 23/025; D06F 23/065;
D06F 39/14; D06F 39/028

See application file for complete search history.

(56) **References Cited**
U.S. PATENT DOCUMENTS

- D484,652 S 12/2003 Clark et al.
D538,488 S 3/2007 Carey et al.
D554,307 S 10/2007 Kim
D575,012 S 8/2008 Rossetto et al.

(Continued)

Primary Examiner — Susan Bennett Hattan
Assistant Examiner — Rebecca Tsehaye
(74) *Attorney, Agent, or Firm* — Price Heneveld LLP

(57) **CLAIM**

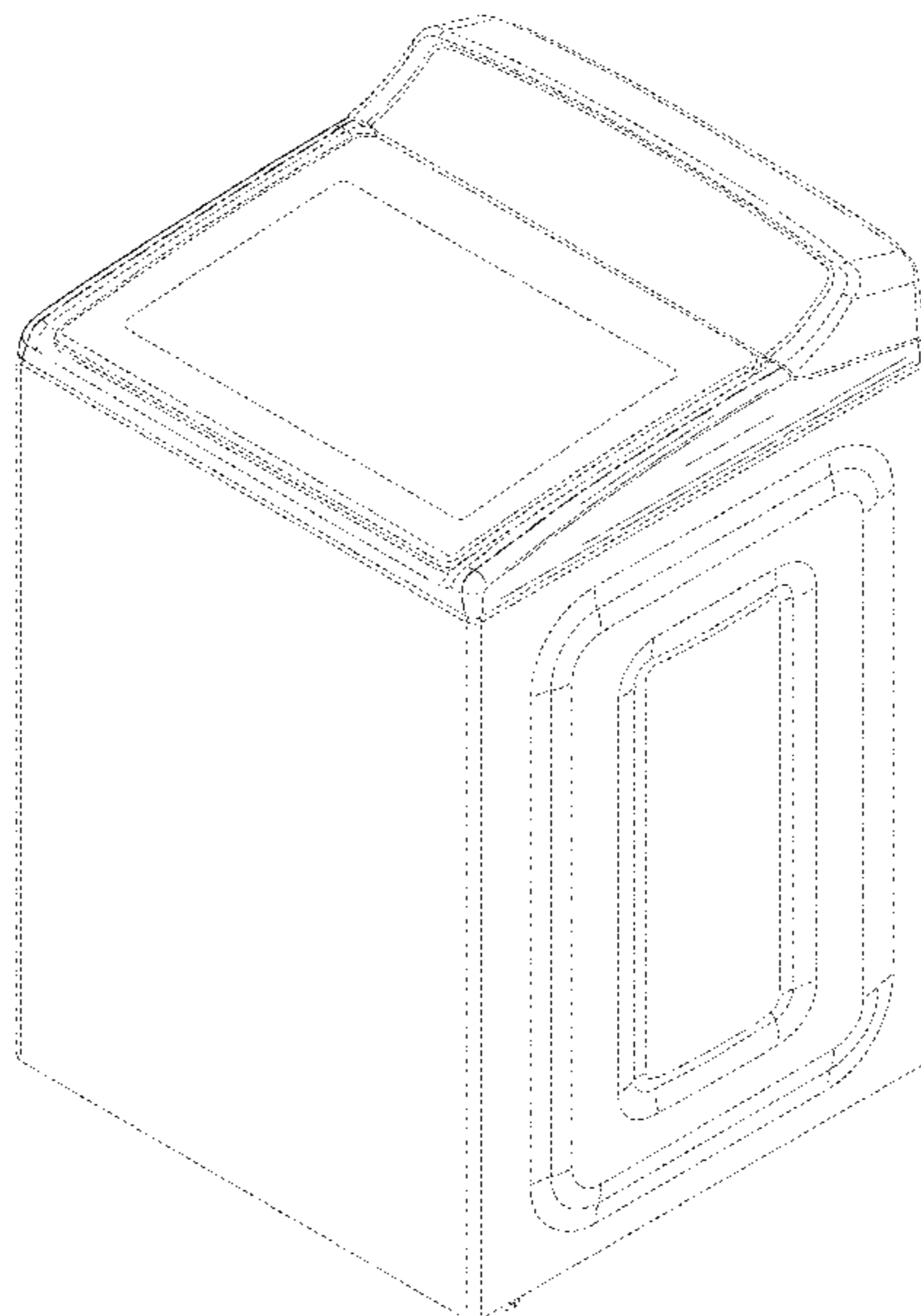
We claim the ornamental design for a topload washing appliance, as shown and described.

DESCRIPTION

FIG. 1 is a first top perspective view of the topload washing appliance of the present invention;
FIG. 2 is a second top perspective view of the topload washing appliance of the present invention;
FIG. 3 is a top plan view of the topload washing appliance of the present invention;
FIG. 4 is a bottom plan view of the topload washing appliance of the present invention;
FIG. 5 is a first side elevation view of the topload washing appliance of the present invention;
FIG. 6 is a second side elevation view of the topload washing appliance of the present invention;
FIG. 7 is a third side elevation view of the topload washing appliance of the present invention;
FIG. 8 is a fourth side elevation view of the topload washing appliance of the present invention; and,
FIG. 9 is another first side elevation view of the topload washing appliance of the present invention with the door in an open position to view the underside of the washing appliance door.

The broken lines consisting of a long dash-dot immediately adjacent to shaded areas represent, the bounds of the claim. All other broken lines are directed to environment and form no part of the claimed design.

1 Claim, 9 Drawing Sheets



(56)

References Cited

U.S. PATENT DOCUMENTS

D619,314 S 7/2010 Bixby et al.
 D620,656 S 7/2010 Bixby et al.
 D621,563 S 8/2010 Bixby et al.
 D631,215 S 1/2011 Song et al.
 D632,033 S 2/2011 Song et al.
 D648,084 S 11/2011 Browne et al.
 D648,085 S 11/2011 Miller et al.
 D648,497 S 11/2011 Bhattacharya
 D654,640 S 2/2012 Song et al.
 8,297,085 B2 10/2012 Kim et al.
 D679,462 S 4/2013 Zhang et al.
 8,511,115 B2 8/2013 Kim et al.
 D694,965 S * 12/2013 Lee D32/6
 D695,474 S 12/2013 Calmeise
 D697,680 S 1/2014 Hwang et al.
 D699,907 S 2/2014 Choi et al.
 D701,656 S 3/2014 Choi et al.
 D703,887 S 4/2014 Lee et al.
 D704,907 S 5/2014 Yoo et al.
 D705,508 S 5/2014 Calmeise
 D709,657 S 7/2014 Shin et al.
 8,763,431 B2 7/2014 Kim et al.
 D711,605 S 8/2014 Jo et al.
 D729,998 S 5/2015 Jeon et al.
 D733,372 S 6/2015 Song et al.
 D733,375 S 6/2015 Uk et al.
 D758,028 S * 5/2016 Bixby D32/25
 D758,029 S * 5/2016 Bixby D32/25
 D758,031 S * 5/2016 Bixby D32/25
 D759,912 S * 6/2016 Bixby D32/25
 D772,505 S * 11/2016 Bixby D32/25
 D774,713 S * 12/2016 Bixby D32/6

D793,012 S * 7/2017 Bixby D32/6
 D793,632 S * 8/2017 Ayers D32/6
 D798,005 S * 9/2017 Bixby D32/6
 D824,607 S * 7/2018 Bixby D32/6
 D833,091 S * 11/2018 Ayers D32/6
 D847,444 S * 4/2019 Ayers D32/6
 D869,791 S * 12/2019 Ko D32/6
 D873,515 S * 1/2020 Bixby D32/25
 D874,752 S * 2/2020 Lee D32/6
 D884,997 S * 5/2020 Kim D32/6
 D887,654 S * 6/2020 Choi D32/6
 D887,655 S * 6/2020 Choi D32/6
 2003/0042654 A1 3/2003 Bienick et al.
 2004/0068951 A1 4/2004 Bienick et al.
 2005/0050925 A1 3/2005 Je et al.
 2006/0288742 A1 12/2006 Hapke et al.
 2009/0193678 A1 8/2009 Latack
 2009/0229320 A1 9/2009 Yoo et al.
 2011/0050060 A1 3/2011 Kim et al.
 2011/0062837 A1 3/2011 Kim et al.
 2011/0089793 A1 4/2011 Kim et al.
 2011/0121694 A1 5/2011 Kim et al.
 2012/0327201 A1 12/2012 Kappler et al.
 2013/0193823 A1 8/2013 Cho et al.
 2014/0210324 A1 7/2014 Kilgore et al.
 2014/0373284 A1 12/2014 Leibman et al.
 2015/0123521 A1 5/2015 Lee et al.
 2015/0233039 A1 8/2015 Cho et al.
 2015/0233042 A1 8/2015 Kang et al.
 2015/0252508 A1 9/2015 Kim et al.
 2015/0267337 A1 9/2015 Kim et al.
 2015/0292136 A1 10/2015 Leonard et al.
 2015/0345069 A1 12/2015 Leibman et al.
 2016/0010268 A1 1/2016 Hawboldt et al.

* cited by examiner

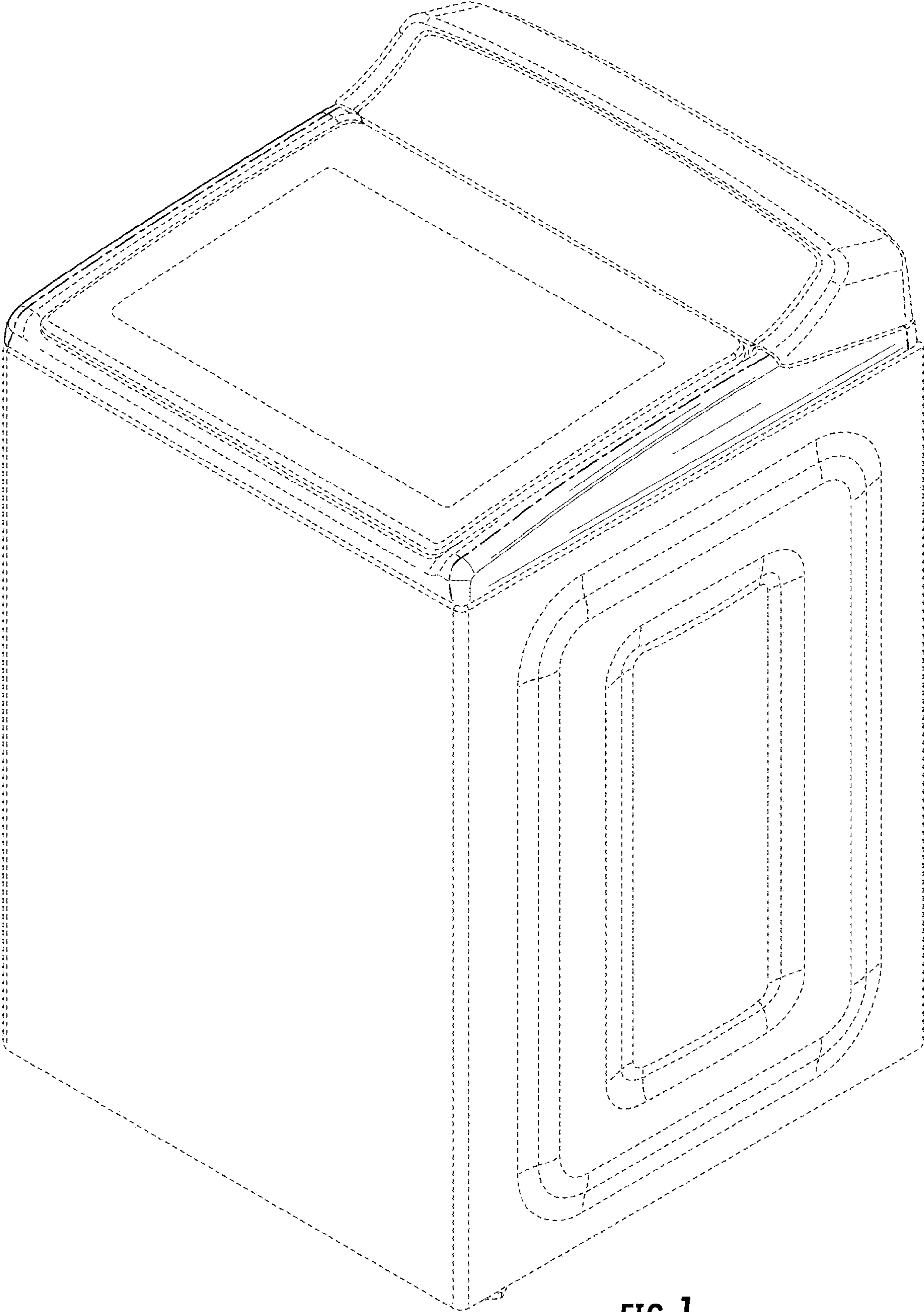


FIG. 1

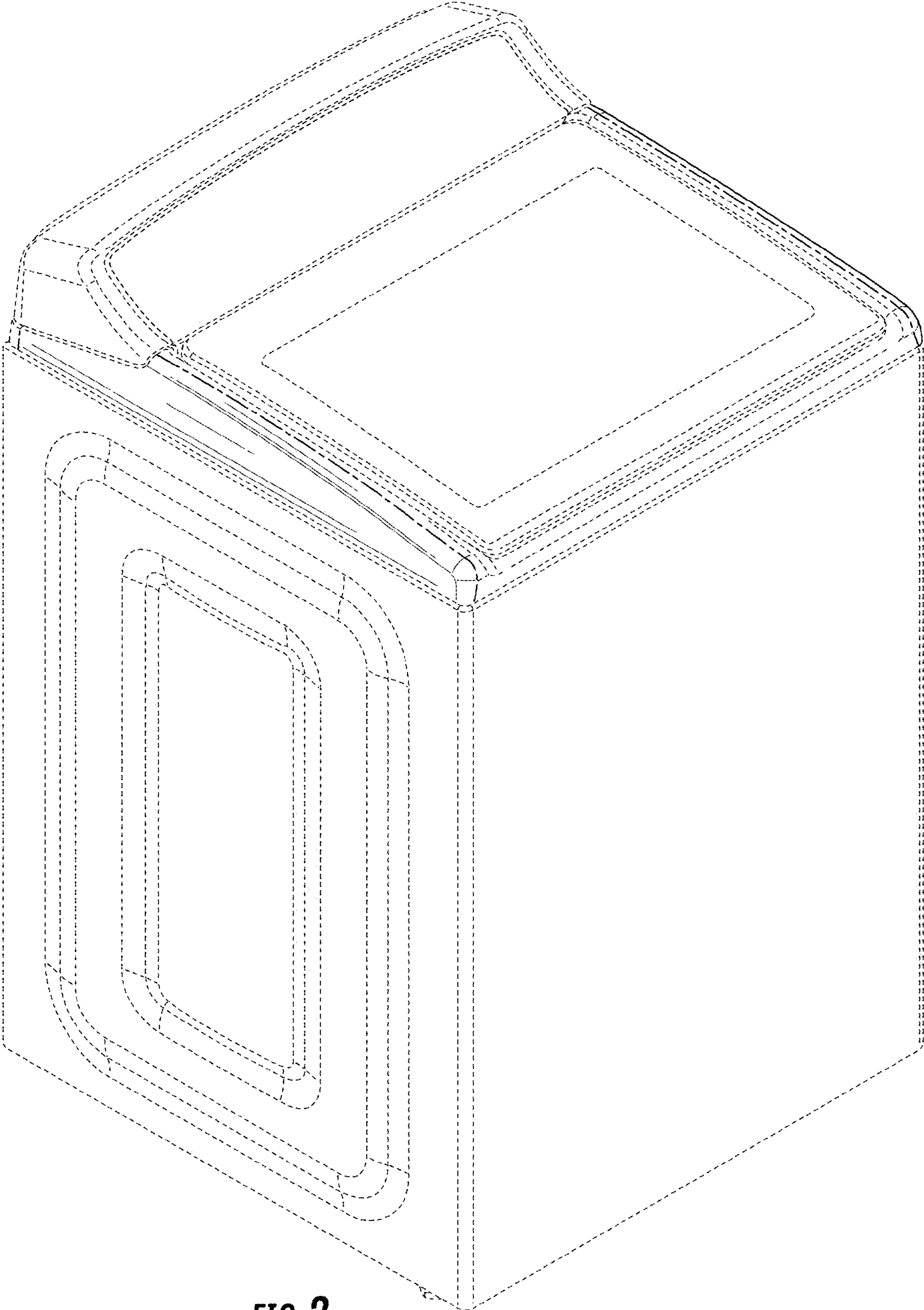


FIG. 2

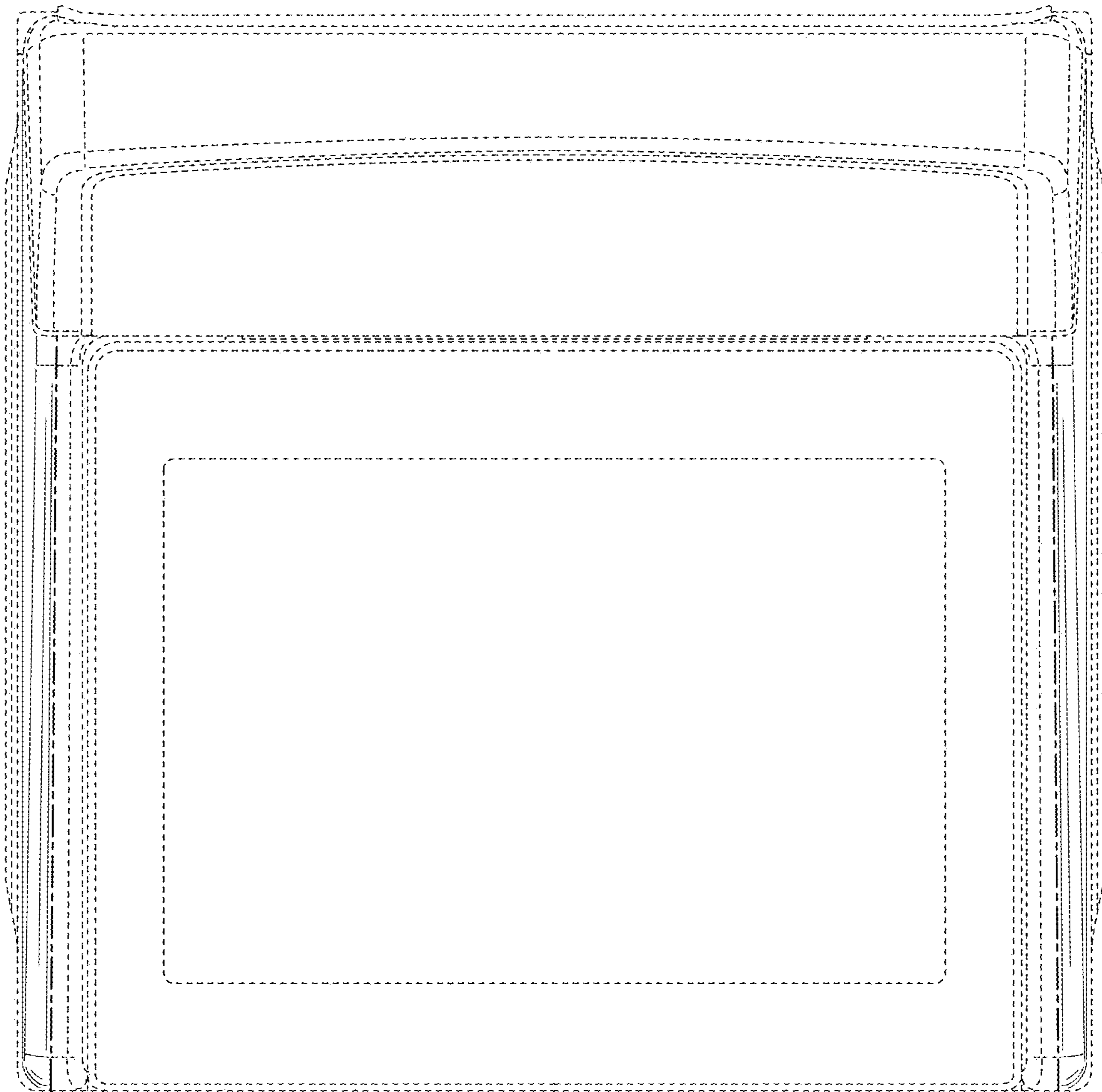


FIG. 3

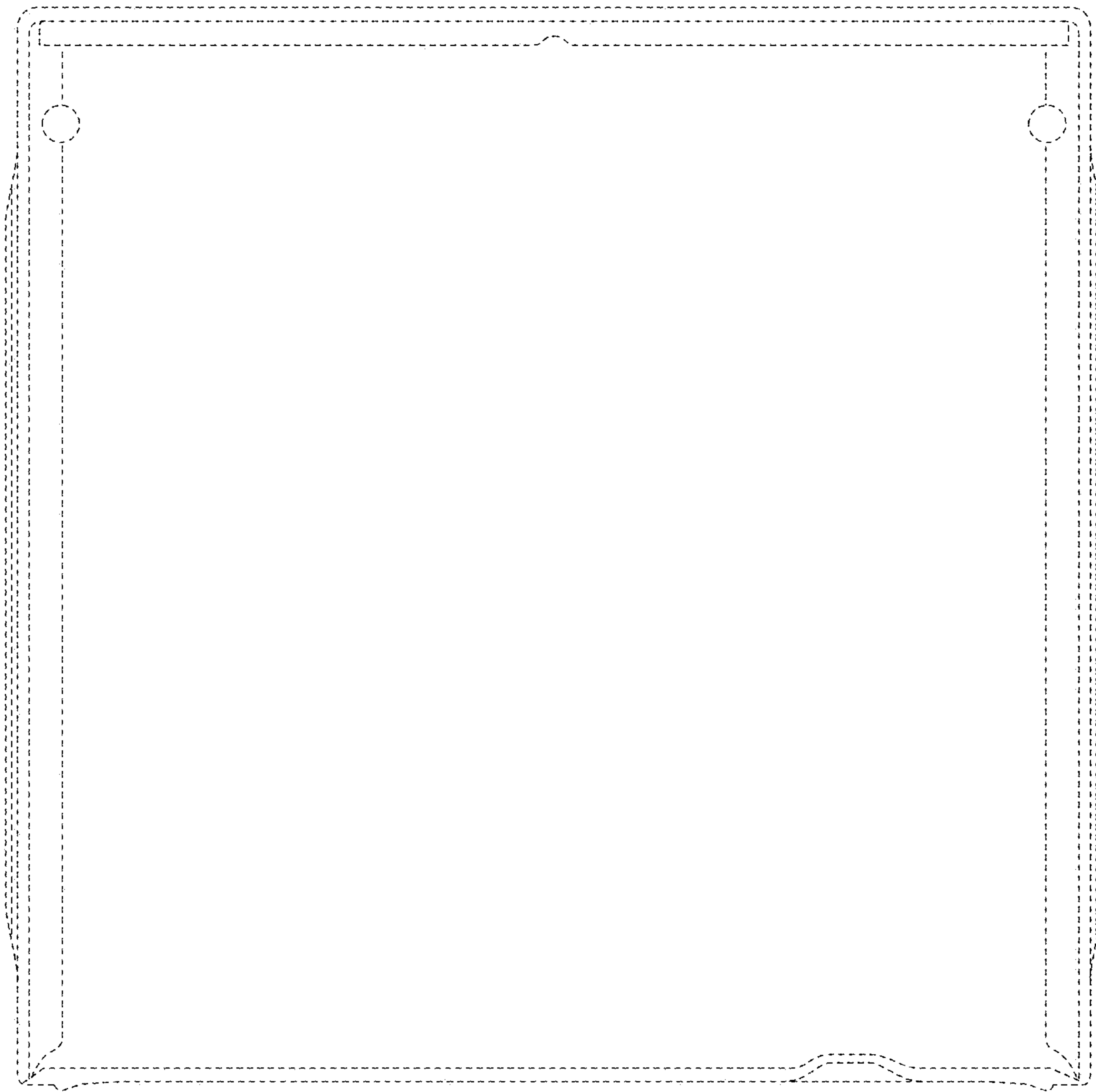


FIG. 4

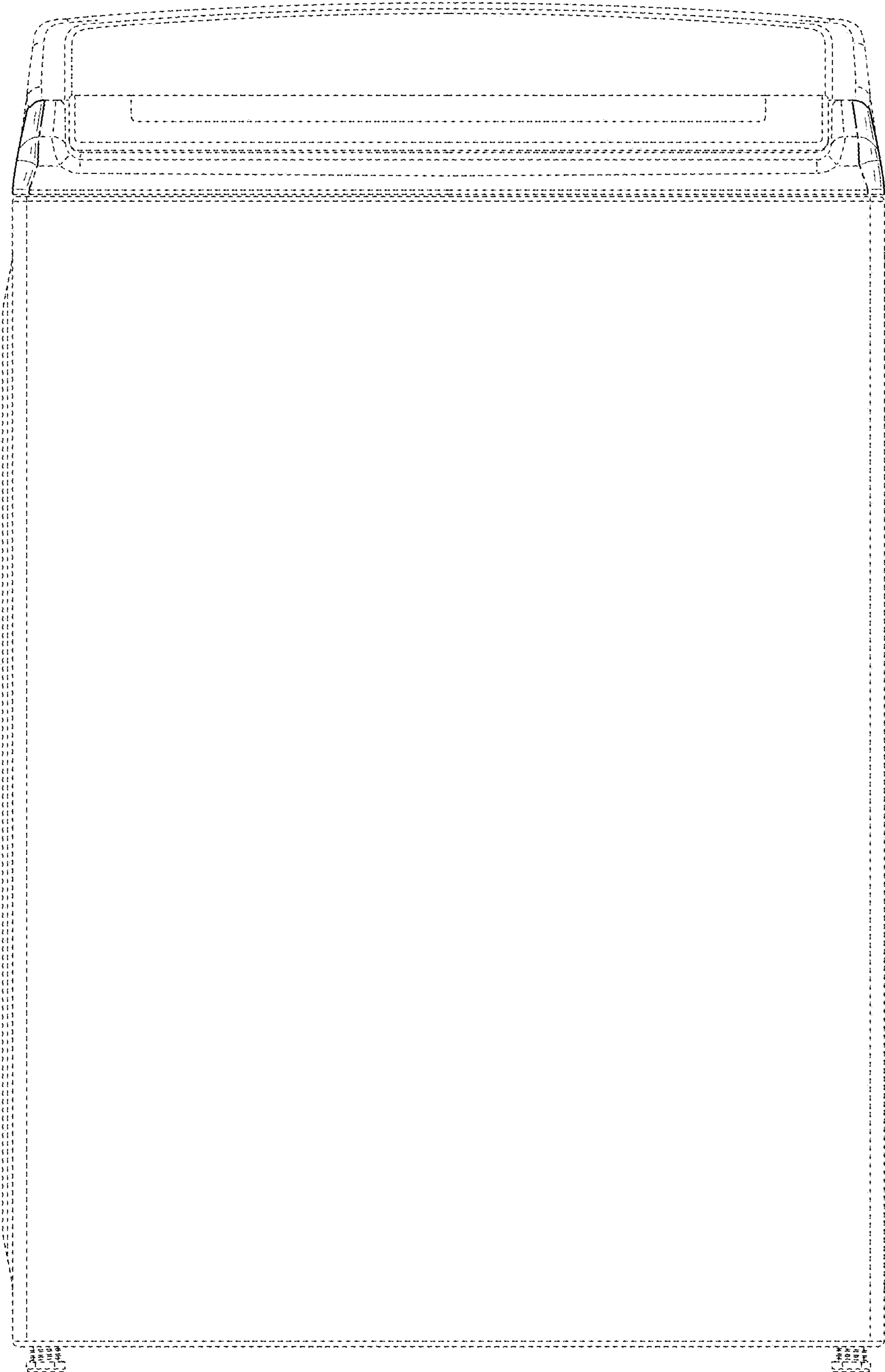


FIG. 5

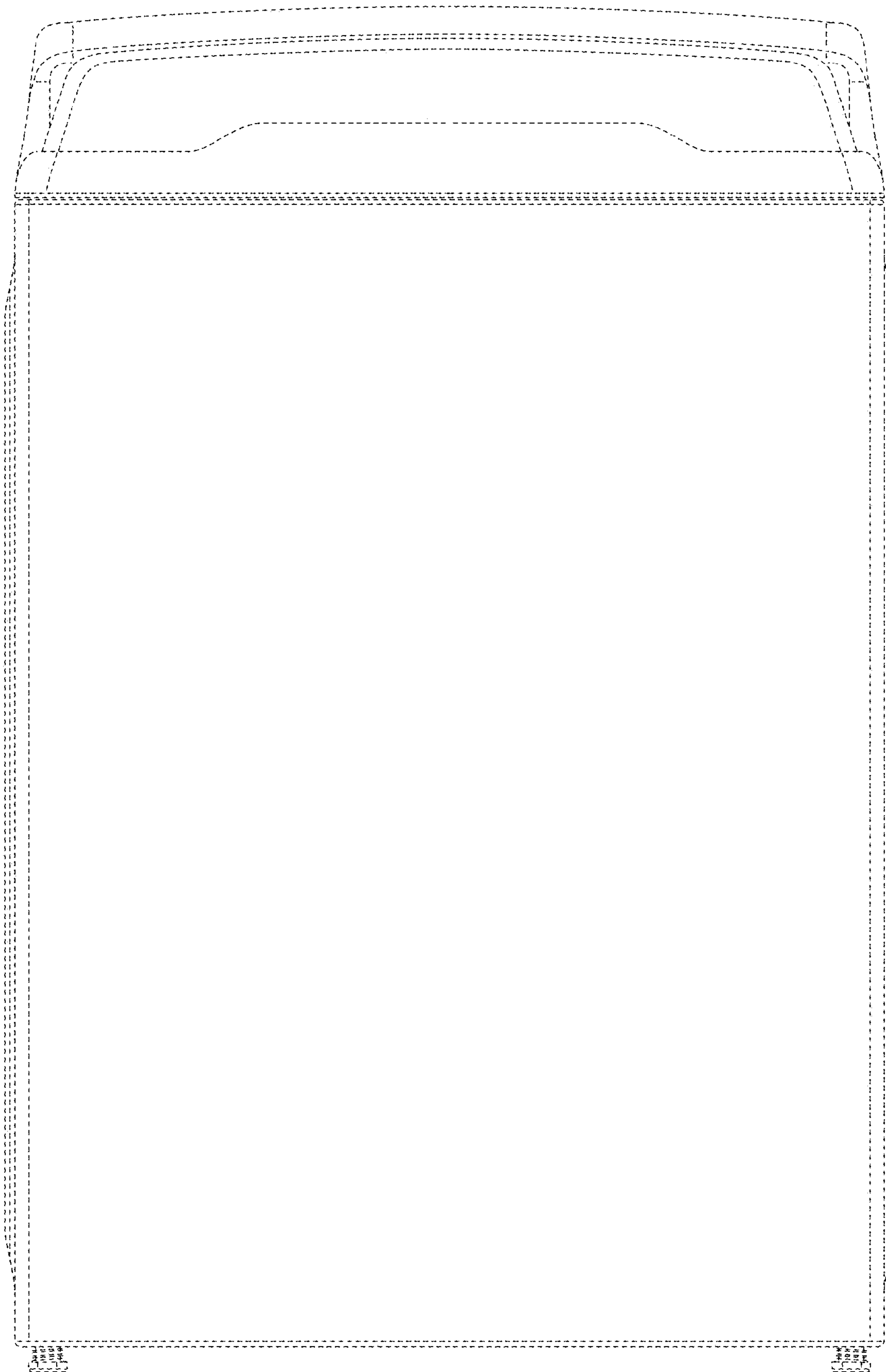


FIG. 6

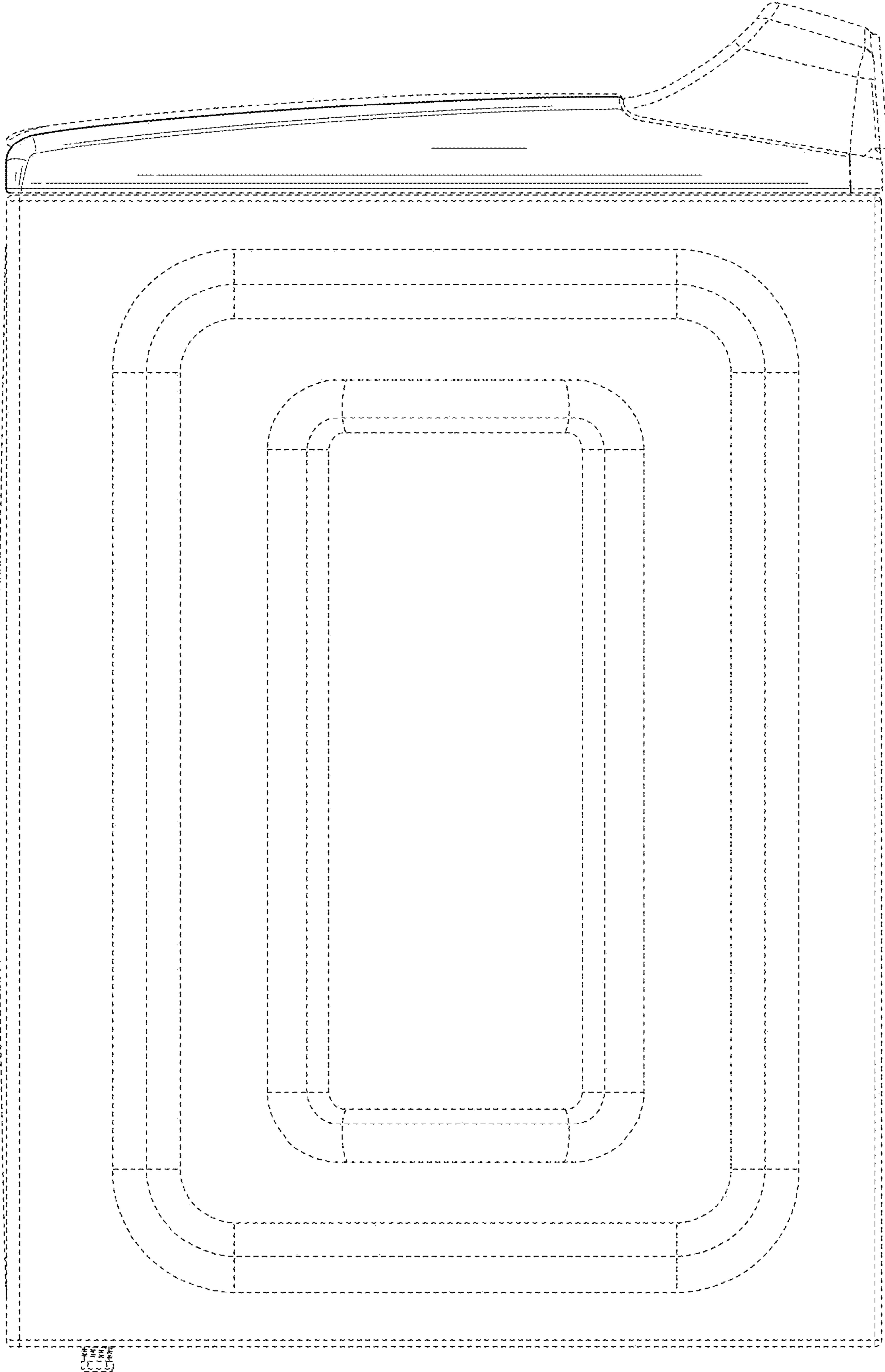


FIG. 7

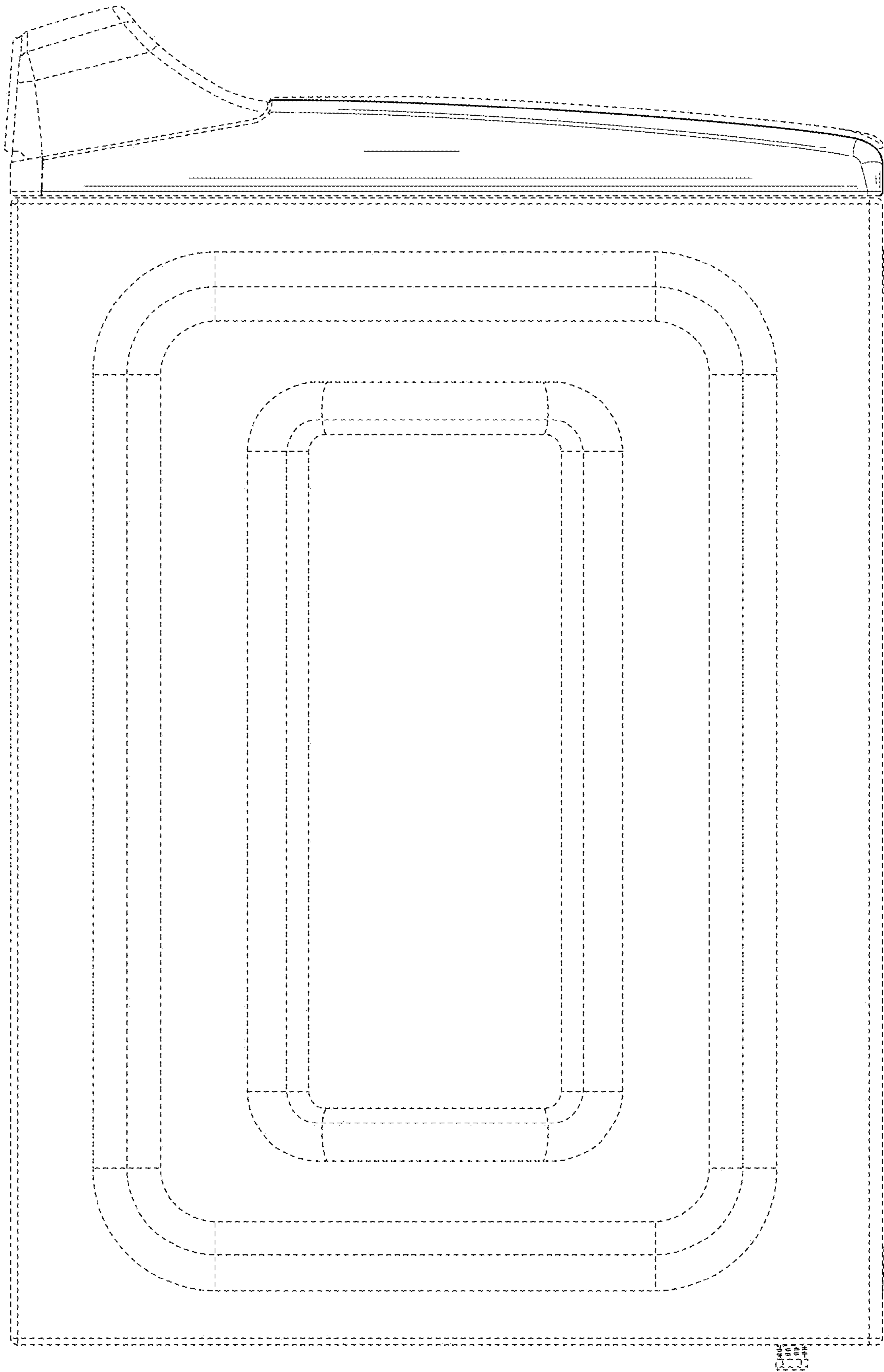


FIG. 8

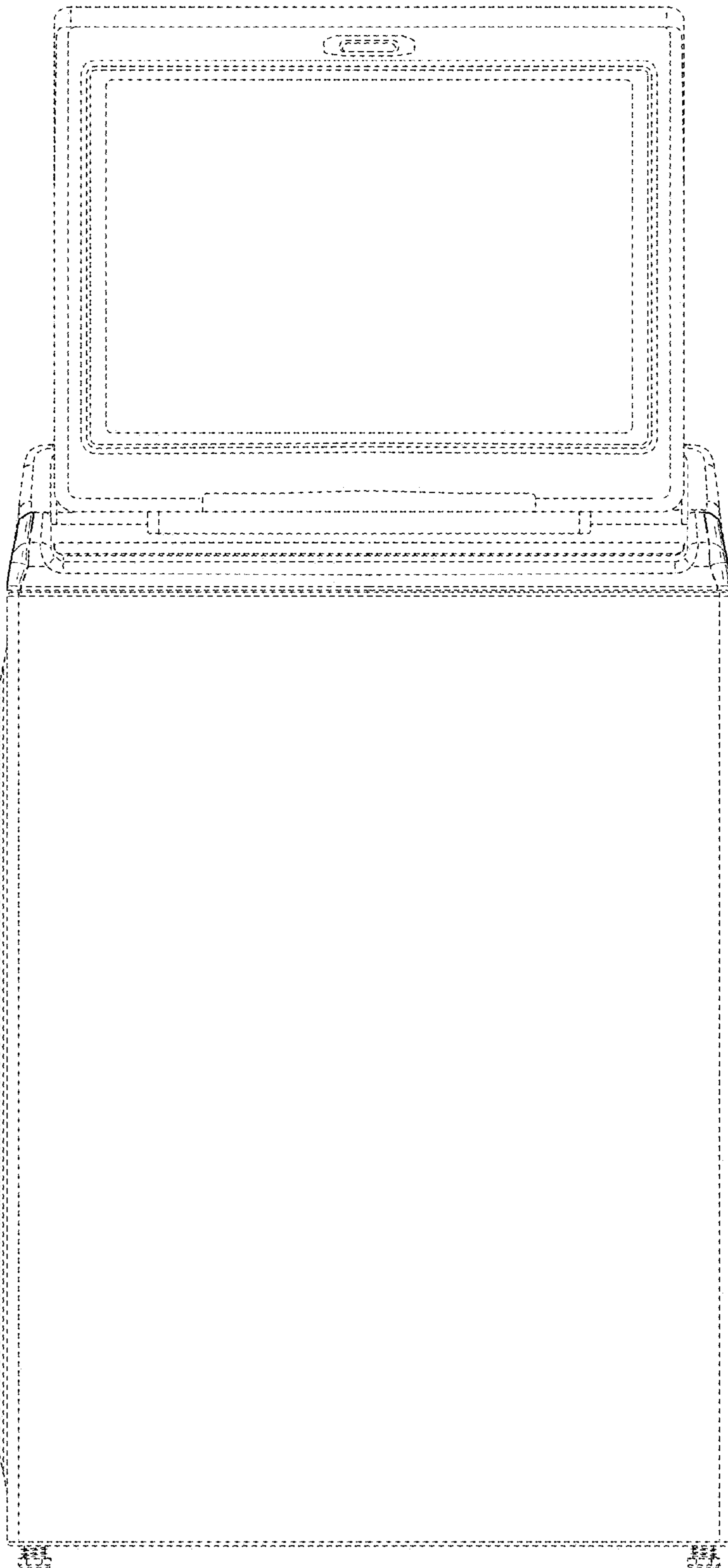


FIG. 9