



US00D916399S

(12) **United States Design Patent** (10) **Patent No.:** **US D916,399 S**
Bradford et al. (45) **Date of Patent:** **** Apr. 13, 2021**

(54) **TAG FOR TISSUE BIOPSY**
(71) Applicant: **COMMONWEALTH SCIENTIFIC AND INDUSTRIAL RESEARCH ORGANISATION**, Acton (AU)
(72) Inventors: **Russell Bradford**, Hobart (AU); **Andreas Marouchos**, Hobart (AU); **Peter Grewe**, Hobart (AU); **Andrew Filisetti**, Hobart (AU)
(73) Assignee: **Commonwealth Scientific and Industrial Research Organisation**, Acton (AU)
(**) Term: **15 Years**
(21) Appl. No.: **29/661,332**
(22) Filed: **Aug. 27, 2018**
(30) **Foreign Application Priority Data**
Jan. 3, 2018 (AU) 201810039
(51) **LOC (13) Cl.** **30-08**
(52) **U.S. Cl.**
USPC **D30/155**
(58) **Field of Classification Search**
USPC D8/14; D10/65; D20/22; D30/155
CPC H02G 1/02; H02G 1/08; H02G 1/081; H02G 1/083; G01C 15/10; A01K 11/001; A01K 11/004
See application file for complete search history.

(56) **References Cited**
U.S. PATENT DOCUMENTS
1,538,746 A * 5/1925 Reneau G01C 15/10 33/393
1,577,133 A * 3/1926 Learnihan G01C 15/10 248/317

1,708,778 A * 4/1929 Powell G01C 15/10 33/393
2,135,211 A * 11/1938 Johnson G01C 15/10 33/350
2,499,722 A * 3/1950 Chesbro G01C 15/10 33/350
2,791,037 A * 5/1957 Damron G01C 15/10 33/348
2,803,067 A * 8/1957 Kurschner G01C 15/10 33/332
3,448,525 A * 6/1969 Majewski G01C 15/10 33/376
D242,728 S * 12/1976 Schwindt D30/199
D275,331 S * 8/1984 Child D22/120
D321,069 S * 10/1991 Stoddard, III D10/104.1
D325,268 S * 4/1992 Wittick D30/155
D337,397 S * 7/1993 Kerola D30/155
D343,261 S * 1/1994 Eberhardt D30/155

(Continued)

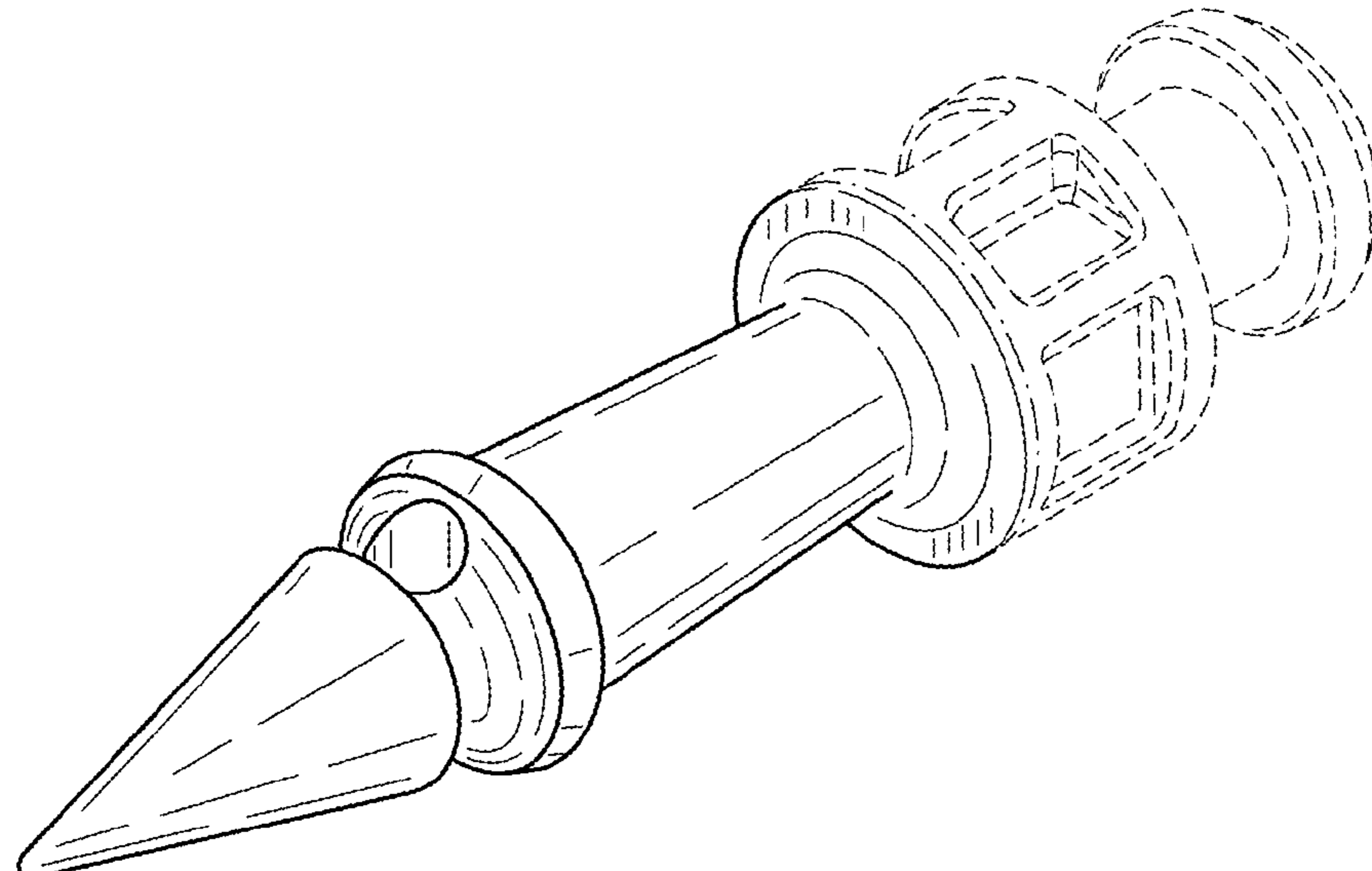
Primary Examiner — Darlington Ly
(74) *Attorney, Agent, or Firm* — Merchant & Gould P.C.

(57) **CLAIM**
The ornamental design for a tag for tissue biopsy, as shown and described.

DESCRIPTION

FIG. 1 is a front perspective view of a tag for tissue biopsy showing our new design;
FIG. 2 is a rear perspective view thereof;
FIG. 3 is a front elevation view thereof;
FIG. 4 is a rear elevation view thereof;
FIG. 5 is a right side elevation view thereof;
FIG. 6 is a left side elevation view thereof;
FIG. 7 is a top plan view thereof; and,
FIG. 8 is a bottom plan view thereof.
The portions shown in broken lines form no part of the claimed design. The dot-dash boundary line represents the boundary between the claimed design and the unclaimed design; the dot-dash boundary line itself forms no part of the claimed design.

1 Claim, 5 Drawing Sheets



(56)

References Cited

U.S. PATENT DOCUMENTS

D359,245	S *	6/1995	Lee	D10/61
D378,990	S *	4/1997	Mills	D10/65
D379,598	S *	6/1997	Trammell	D10/65
D380,165	S *	6/1997	Bertsch	D10/65
D384,444	S *	9/1997	Andrews	D30/155
D393,219	S *	4/1998	Beall	D10/65
D463,630	S *	9/2002	Halderman	G09F 3/202 40/301
D515,252	S *	2/2006	Dumbrell	D30/155
D569,051	S *	5/2008	Harvey	D30/155
D591,012	S *	4/2009	Geissler	D30/155
D726,516	S *	4/2015	Hall	D8/14
9,192,143	B2 *	11/2015	Hilpert	A01K 11/001
D853,054	S *	7/2019	Auer	D30/155
D853,664	S *	7/2019	Ritchey	D30/155
D860,548	S *	9/2019	Hicks	D30/155
2017/0318781	A1 *	11/2017	Rollins	G06K 19/07758
2018/0020641	A1 *	1/2018	Holman	A01K 15/029 119/822
2018/0098522	A1 *	4/2018	Steinfort	G09F 3/02
2018/0132449	A1 *	5/2018	Auer	A01K 11/004

* cited by examiner

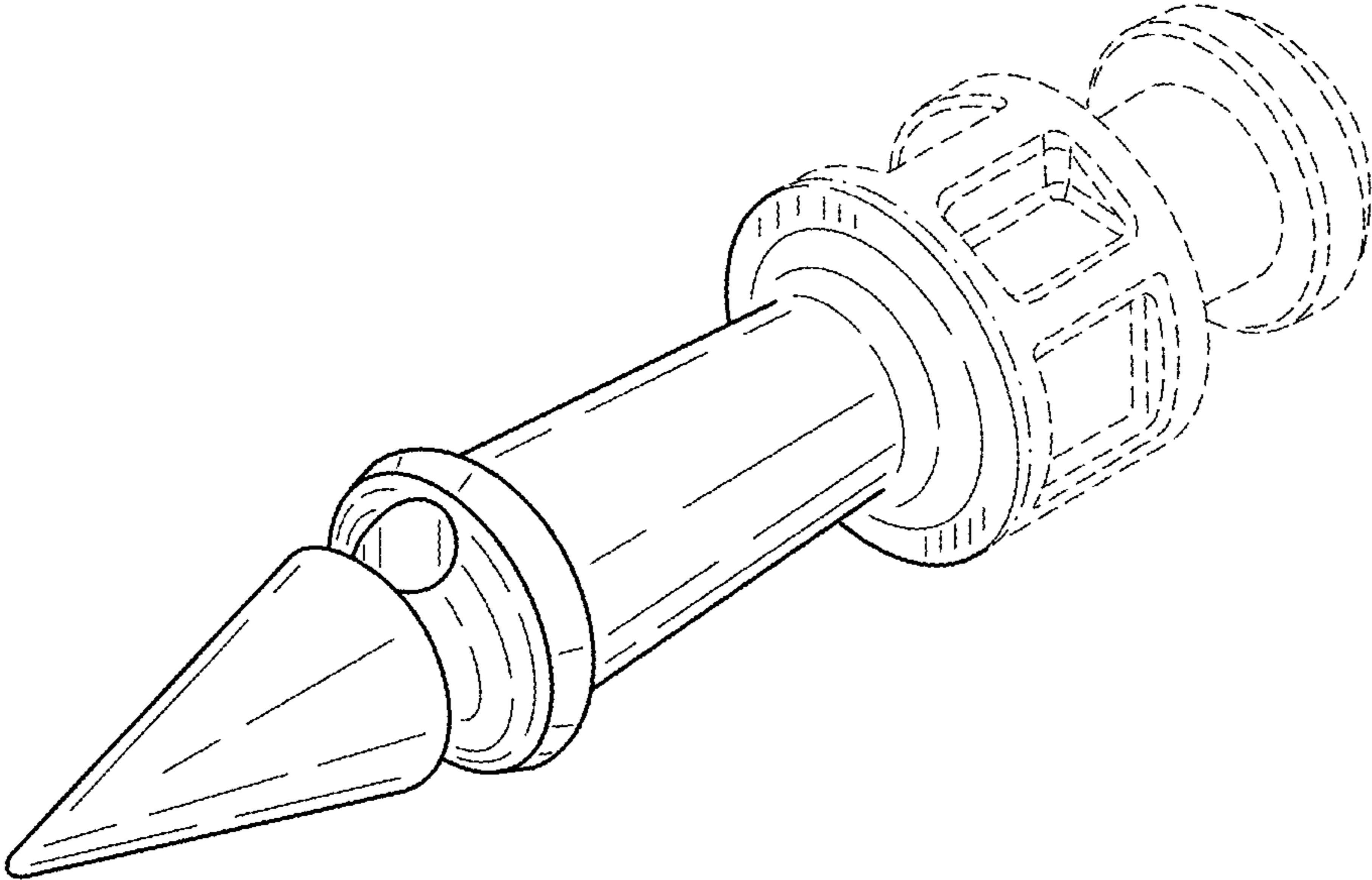


FIG.1

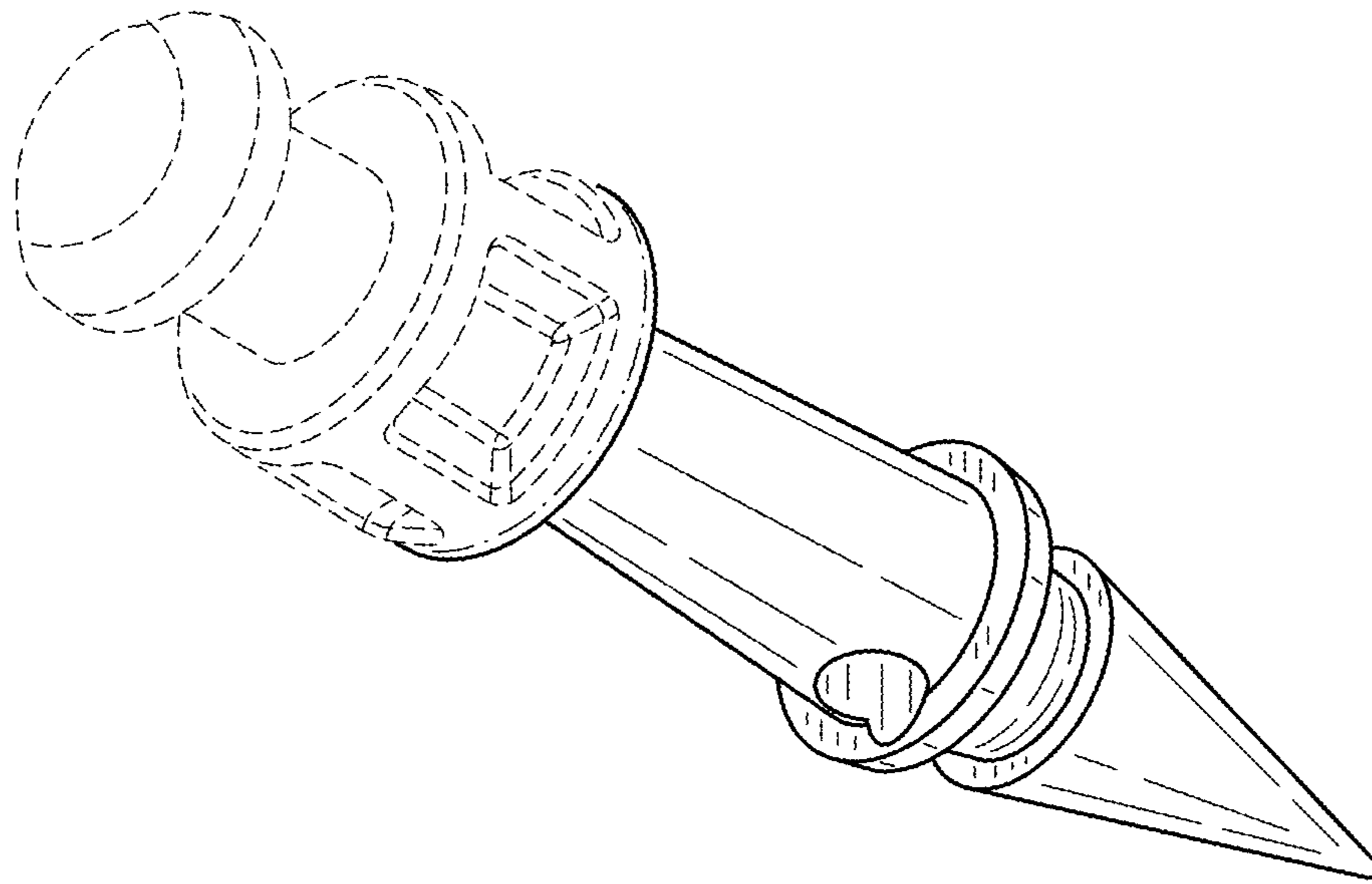


FIG.2

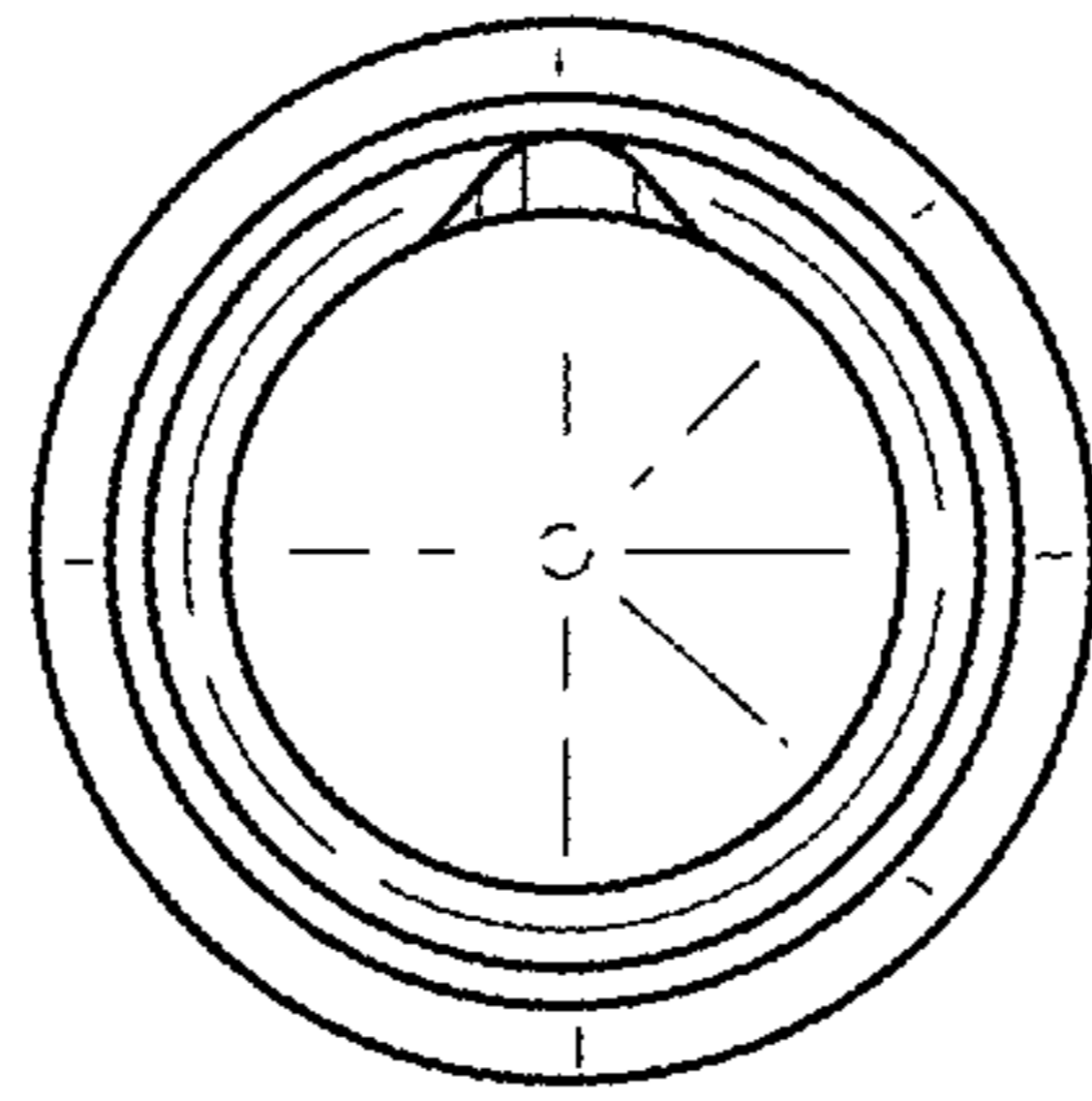


FIG.3

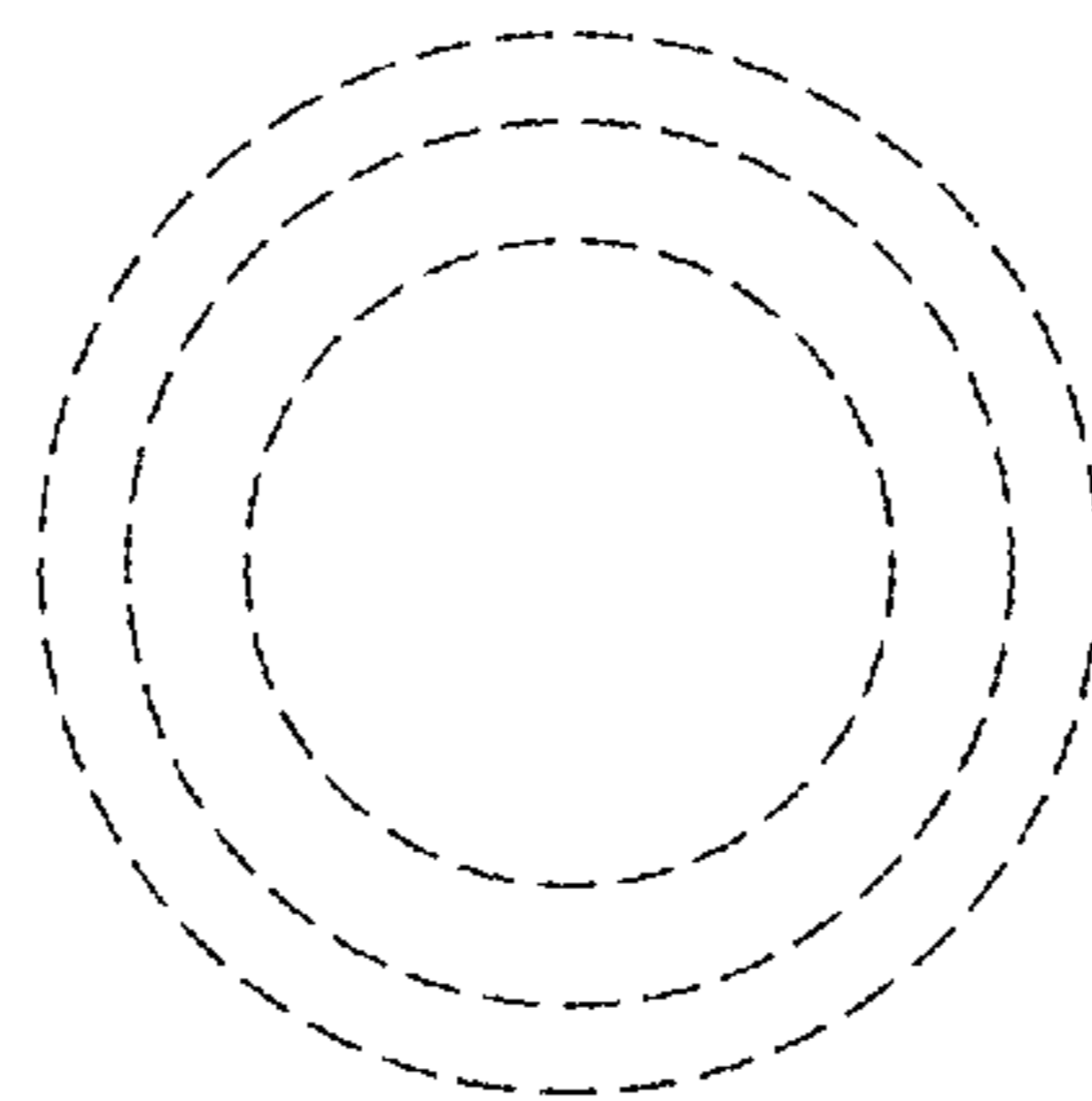


FIG.4

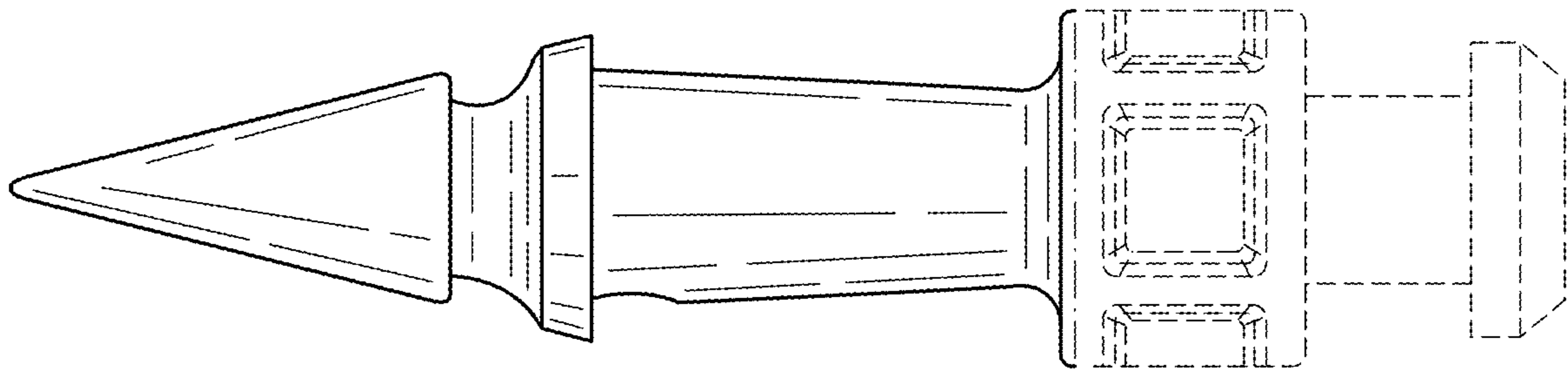


FIG.5

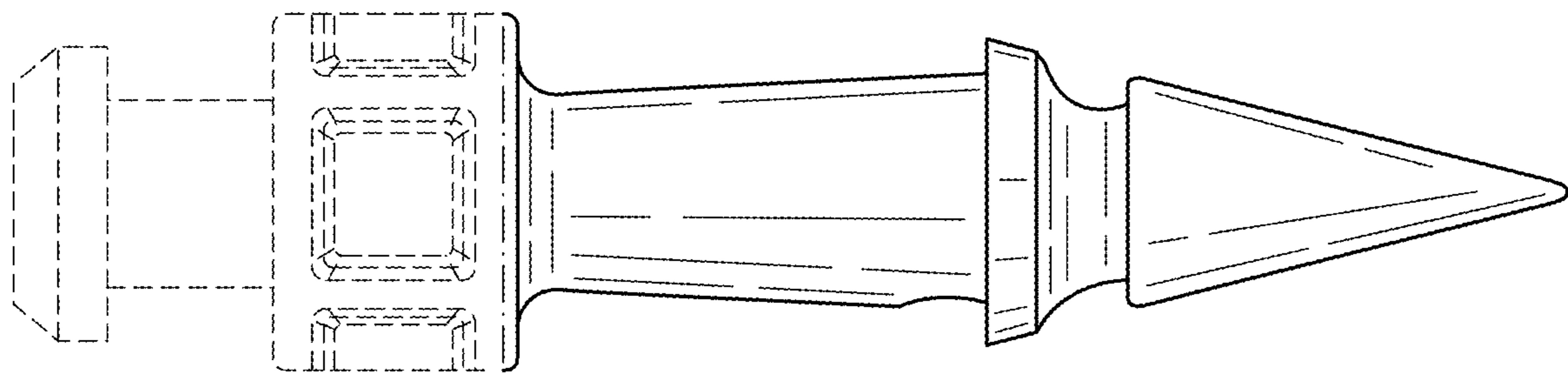


FIG.6

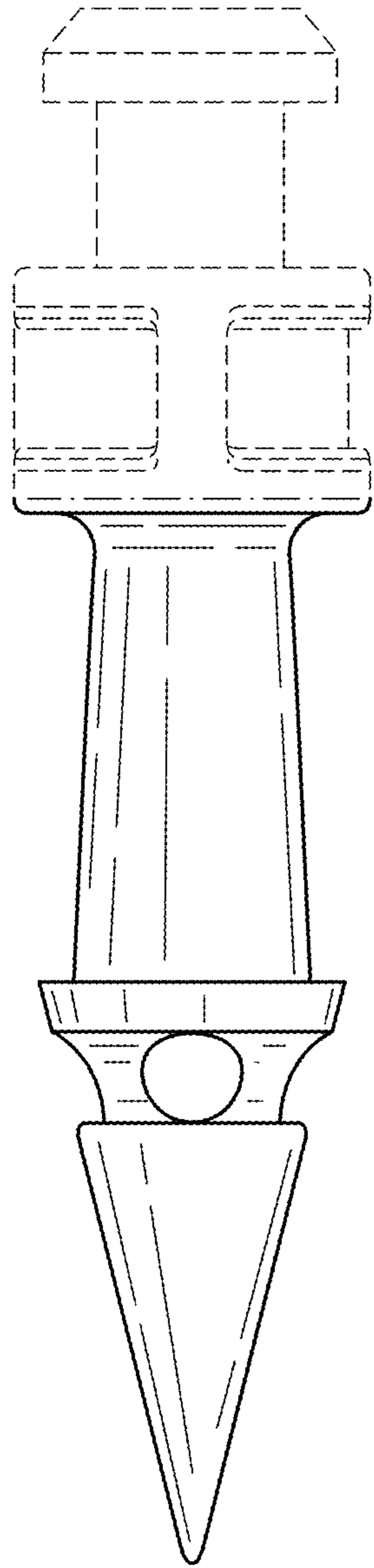


FIG. 7

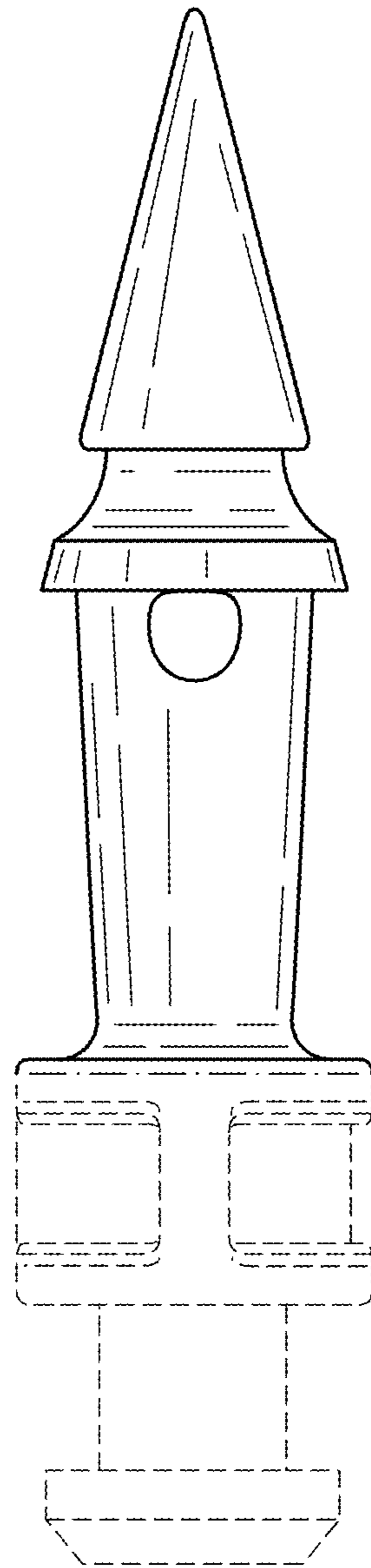


FIG. 8