



US00D916396S

(12) **United States Design Patent**
Guo

(10) **Patent No.:** **US D916,396 S**

(45) **Date of Patent:** **** Apr. 13, 2021**

(54) **CAT HARNESS**

(71) Applicant: **Zeshan Guo**, Gaoyou (CN)

(72) Inventor: **Zeshan Guo**, Gaoyou (CN)

(73) Assignee: **GLOBEGOU WZ CO., LTD**, Zhejiang (CN)

(**) Term: **15 Years**

(21) Appl. No.: **29/743,083**

(22) Filed: **Jul. 17, 2020**

(51) **LOC (13) Cl.** **30-04**

(52) **U.S. Cl.**

USPC **D30/152**

(58) **Field of Classification Search**

USPC D30/136, 137, 144, 145, 151, 152;
D24/190; D29/101.1, 101.3, 101.4;
D3/327

CPC A01K 27/002; A01K 15/04
See application file for complete search history.

(56) **References Cited**

U.S. PATENT DOCUMENTS

D591,011 S	4/2009	Madere et al.	
8,418,658 B1 *	4/2013	Remick	A01K 27/002 119/792
D749,800 S *	2/2016	Zimmermann	D30/153
D762,926 S *	8/2016	Ets-Hokin	D30/152
D805,261 S *	12/2017	Yun	D30/152
D833,688 S *	11/2018	Stouder	D30/152
D865,302 S *	10/2019	Kim	D30/152
D867,686 S *	11/2019	Yun	D30/152
D889,755 S *	7/2020	Dusev	D30/152
D900,413 S *	10/2020	Gonzalez	D30/152
D901,789 S *	11/2020	Yang	D30/152
2016/0021852 A1 *	1/2016	Goluboff	A01K 13/006 119/792
2017/0265438 A1 *	9/2017	Sporn	A01K 27/005
2018/0263218 A1 *	9/2018	Renforth	A01K 27/005

OTHER PUBLICATIONS

“Rabbitgoo Step-In Escape-Proof Cat Harness”. Found on Dec. 3, 2020 at amazon.com. Reference dated Dec. 5, 2019. Retrieved from

https://www.amazon.com/rabbitgoo-Harness-Adjustable-Reflective-Comfortable/dp/B082DT6YNS/ref=sr_1_2_sspa?dchild=1. *
“Curli Softshell Plush Vest Harness”. Found online Aug. 1, 2019 at amazon.co.uk. Reference dated May 17, 2013. Retrieved from https://www.amazon.co.uk/Curli-Plush-Softshell-Harness-brown/dp/B006NEZV9M/ref=sr_1_99?keywords=best+pet+harness&qid=1564686554&s=pets-supplies&sr=1-99. *
“Pawtitas Mesh Step-In Dog Harness”. Found online Aug. 1, 2019 at amazon.co.uk. Reference dated Aug. 3, 2018. Retrieved from https://www.amazon.co.uk/...wg=sGwxs&pf_rd_p=7f9048ad-9bda-4493-8578-13e4eff8da65&pf_rd_r=58HR3PVQRTQAMEDFQXC&psc=1&refRID=58HR3PVQRTQAMEDFQXC. *
“Gooby Jersey Harness”. Found online Feb. 1, 2017 at amazon.com. Reference dated Mar. 22, 2013. Retrieved from https://www.amazon.com/Gooby-Jersey-Harness-Small-Red/dp/B00CZ4T32A/ref=sr_1_21?s=pets-supplies&srs=7300723011&ie=UTF8&qid=1485983307&sr=1-21. *

* cited by examiner

Primary Examiner — Kendra Leslie Hamilton

(74) *Attorney, Agent, or Firm* — Justin Lampel

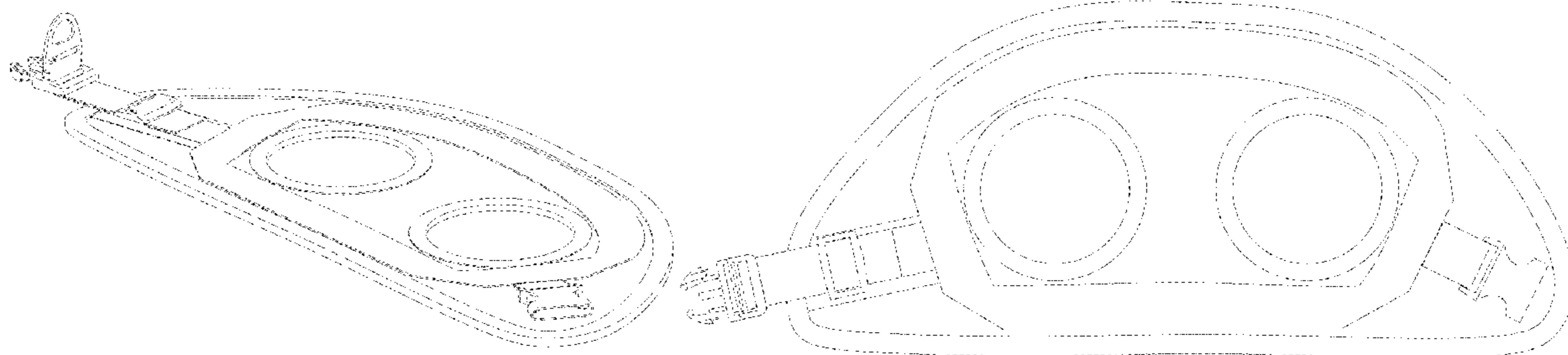
(57) **CLAIM**

The ornamental design for a cat harness, as shown and described.

DESCRIPTION

FIG. 1 is a top, front, left perspective view of a cat harness, showing my new design;
FIG. 2 is a top plan view thereof;
FIG. 3 is a right side elevation view thereof;
FIG. 4 is a front elevation view thereof;
FIG. 5 is a left side elevation view thereof;
FIG. 6 is a rear elevation view thereof; and,
FIG. 7 is a bottom plan view thereof.
The equal-length broken lines in the drawings depict portions of the cat harness that form no part of the claimed design.

1 Claim, 7 Drawing Sheets



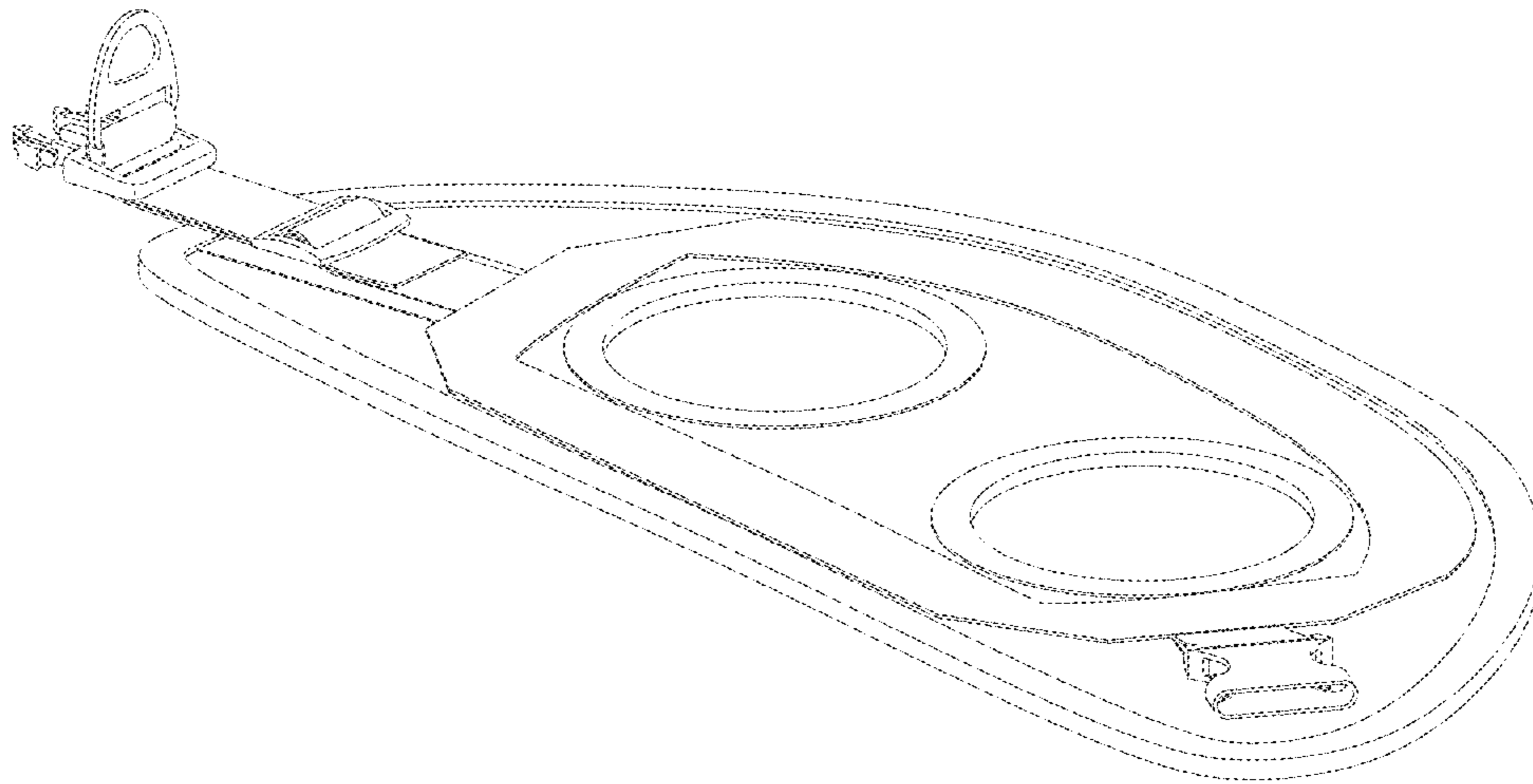


FIG.1

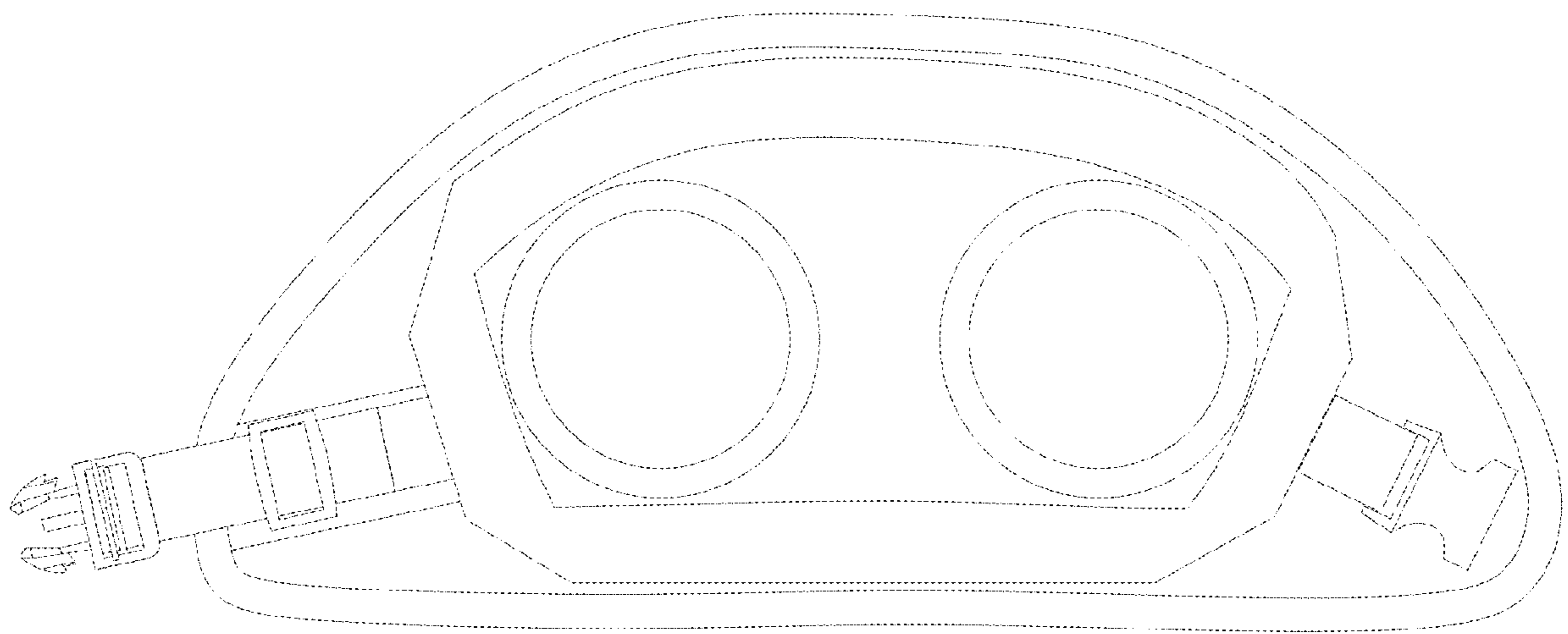


FIG.2

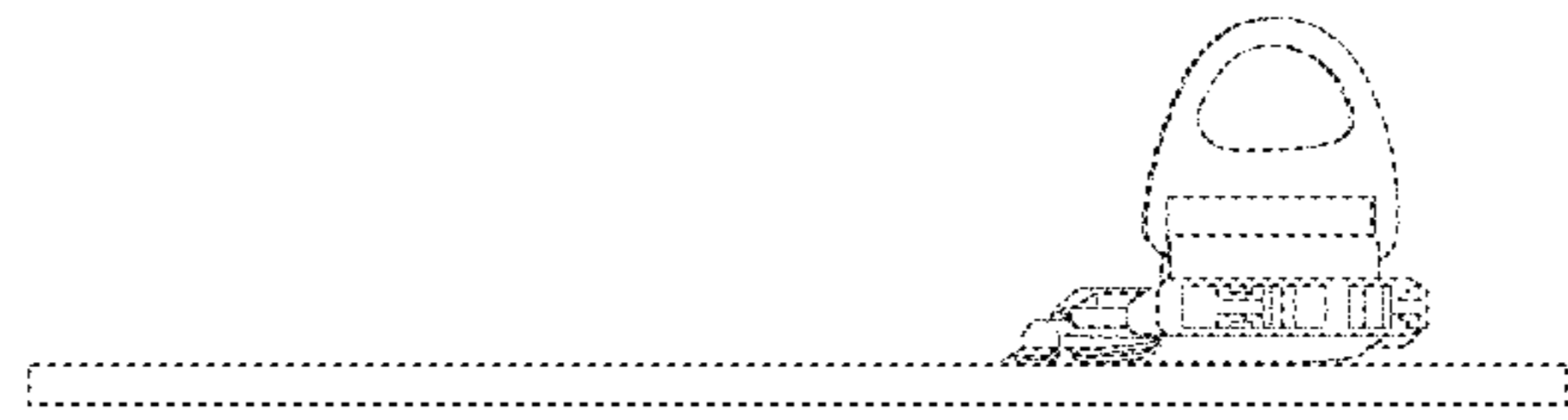


FIG.3



FIG. 4

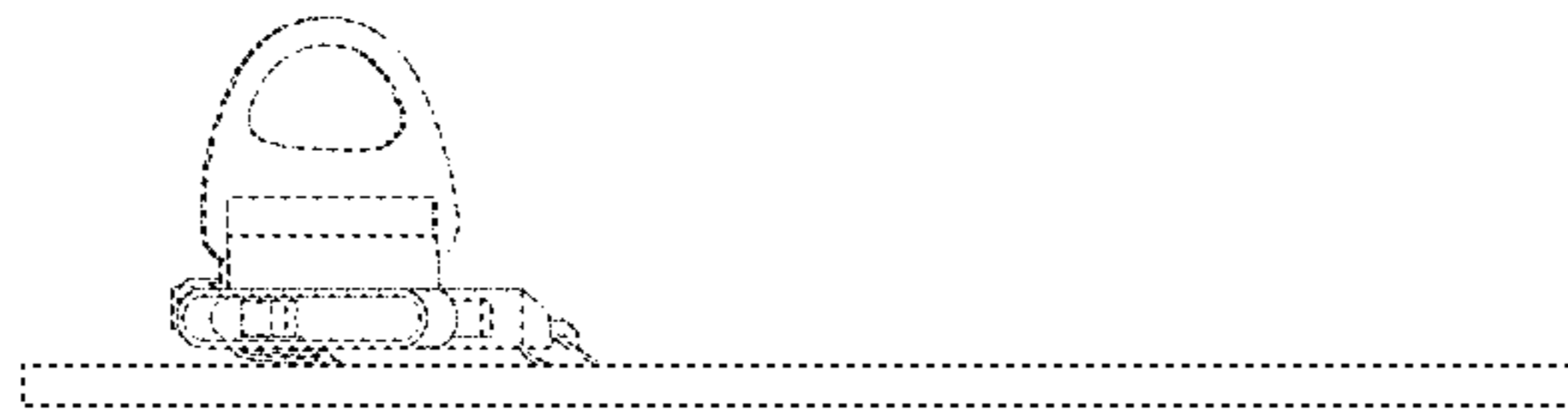


FIG.5

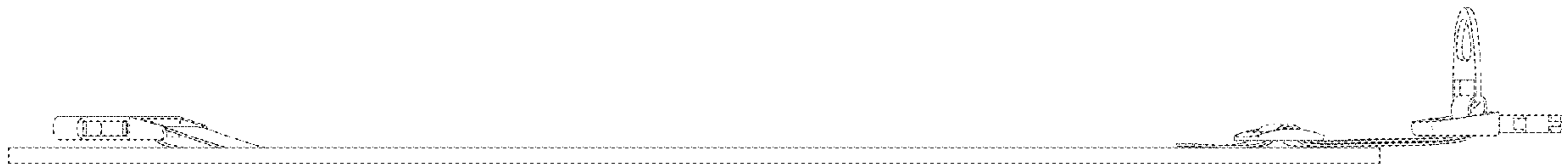


FIG. 6

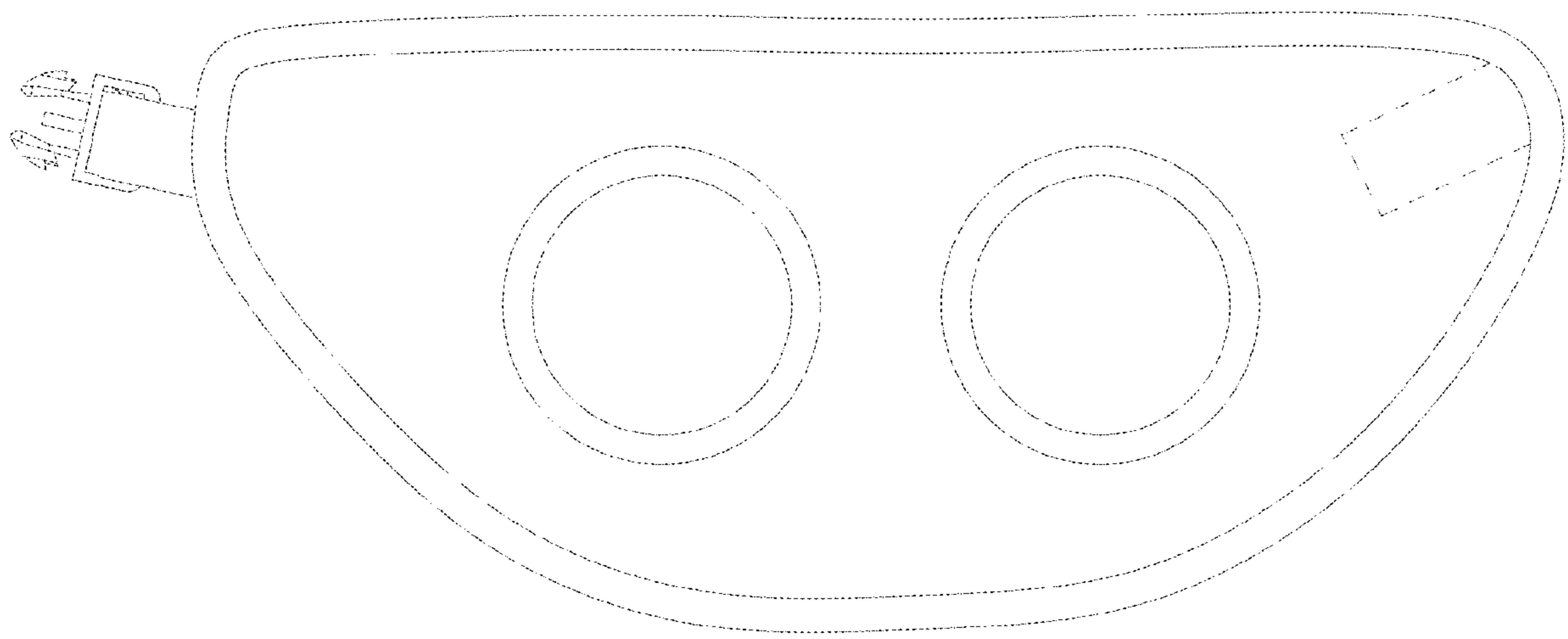


FIG. 7