



US00D916394S

(12) **United States Design Patent**  
**Pan**

(10) **Patent No.:** **US D916,394 S**

(45) **Date of Patent:** **\*\* Apr. 13, 2021**

(54) **SERVICE DOG VEST**

(71) Applicant: **Min Pan**, Hangzhou (CN)

(72) Inventor: **Min Pan**, Hangzhou (CN)

(\*\*) Term: **15 Years**

(21) Appl. No.: **29/690,455**

(22) Filed: **May 8, 2019**

(51) **LOC (13) Cl.** ..... **30-04**

(52) **U.S. Cl.**  
USPC ..... **D30/152**

(58) **Field of Classification Search**  
USPC ..... D30/144, 145, 151, 152; D29/101.1,  
D29/101.3, 101.4, 101.5; D24/190  
CPC ..... A01K 27/002; B65G 7/12  
See application file for complete search history.

<https://web.archive.org/web/20160717212429/https://www.k9harness.com/julius-k9-k9-powerharnesses-category>.  
“Petdogree Service Dog Vest/Harness”. Found online Oct. 27, 2020 at amazon.com. Reference dated Sep. 3, 2017. Retrieved from [https://www.amazon.com/Petdogree-Lightweight-Reflective-Service-Removable/dp/B075CD57S9/ref=sr\\_1\\_15?dchild=1](https://www.amazon.com/Petdogree-Lightweight-Reflective-Service-Removable/dp/B075CD57S9/ref=sr_1_15?dchild=1).  
“Pawshoppie Service Dog Harness”. Found online Oct. 27, 2020 at amazon.com. Reference dated Dec. 4, 2017. Retrieved from [https://www.amazon.com/pawshoppie-Reflective-Removable-Emotional-Polyester/dp/B077XN52X1/ref=sr\\_1\\_8?dchild=1](https://www.amazon.com/pawshoppie-Reflective-Removable-Emotional-Polyester/dp/B077XN52X1/ref=sr_1_8?dchild=1).

\* cited by examiner

*Primary Examiner* — Kendra Leslie Hamilton

(74) *Attorney, Agent, or Firm* — Fogarty LLP

(57) **CLAIM**

The ornamental design for a service dog vest, as shown and described.

(56) **References Cited**

**U.S. PATENT DOCUMENTS**

|              |    |   |         |            |       |             |
|--------------|----|---|---------|------------|-------|-------------|
| D459,842     | S  | * | 7/2002  | Kaplan     | ..... | D30/145     |
| D555,289     | S  | * | 11/2007 | Escarcega  | ..... | D29/101.3   |
| D816,920     | S  | * | 5/2018  | Drinkwater | ..... | D30/152     |
| D867,686     | S  | * | 11/2019 | Yun        | ..... | D30/152     |
| D886,395     | S  | * | 6/2020  | Han        | ..... | D30/152     |
| D889,755     | S  | * | 7/2020  | Dusev      | ..... | D30/152     |
| D893,812     | S  | * | 8/2020  | Wu         | ..... | D30/152     |
| D894,502     | S  | * | 8/2020  | Li         | ..... | D30/152     |
| D896,449     | S  | * | 9/2020  | Dang       | ..... | D30/152     |
| 2019/0297851 | A1 | * | 10/2019 | Nixon      | ..... | B63C 9/1255 |
| 2020/0029533 | A1 | * | 1/2020  | Badr       | ..... | A01K 27/008 |
| 2020/0113728 | A1 | * | 4/2020  | Spector    | ..... | A61B 5/6805 |
| 2020/0305394 | A1 | * | 10/2020 | Stouder    | ..... | A01K 27/006 |

**OTHER PUBLICATIONS**

“Julius K-9: Powerharnesses (Sizes)”. Found online Oct. 9, 2018 at k9harness.com. Reference dated Jul. 17, 2016. Retrieved from

**DESCRIPTION**

FIG. 1 is a top, front, left perspective view of a service dog vest, shown in a first configuration with the vest flattened and the straps unbuckled.

FIG. 2 is a front elevation view thereof.

FIG. 3 is a rear elevation view thereof.

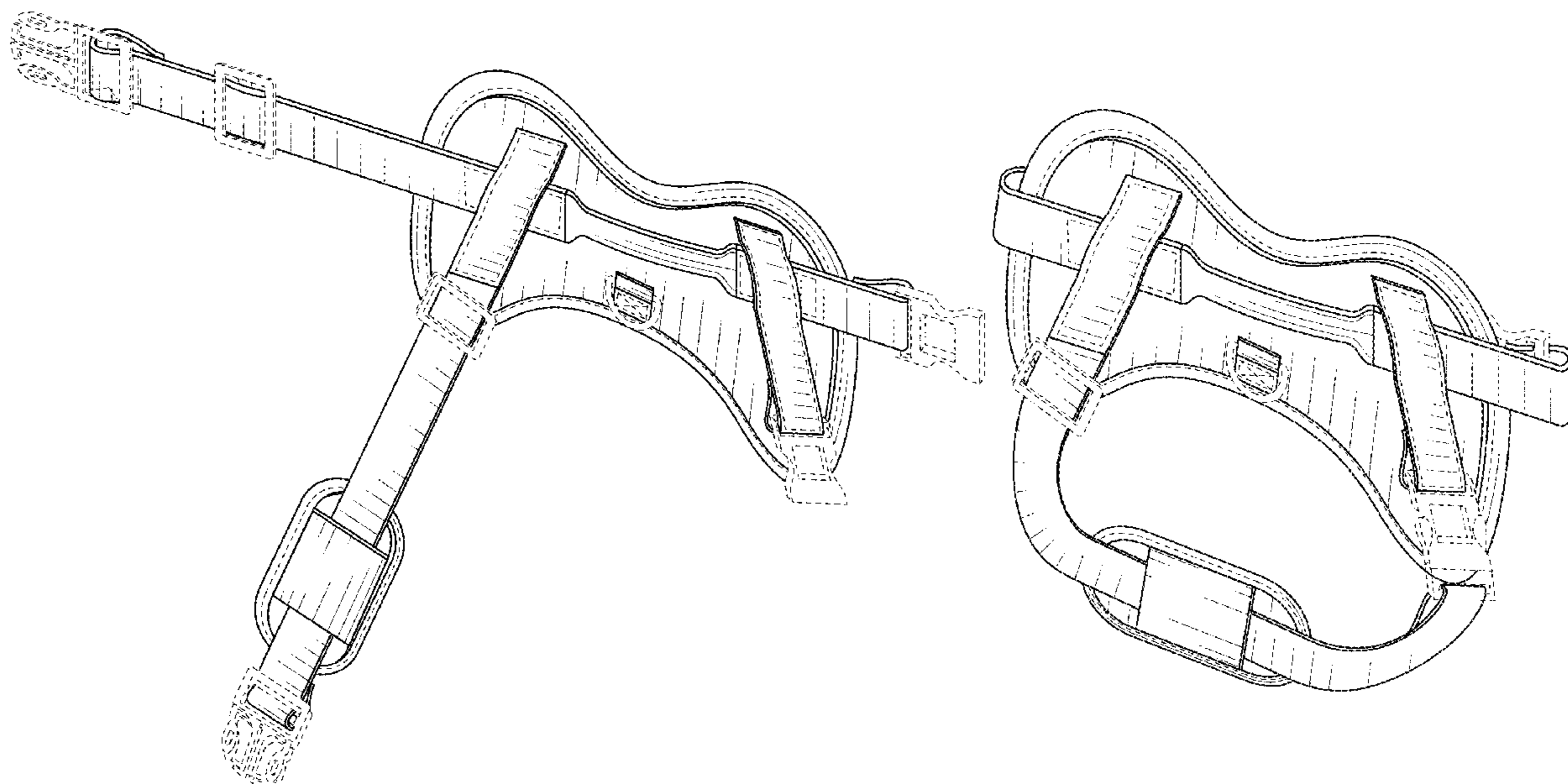
FIG. 4 is a top, front, left perspective view of service dog vest of FIG. 1, shown in a second configuration with the vest flattened and the straps buckled.

FIG. 5 is a front elevation view thereof; and,

FIG. 6 is a rear elevation view thereof.

The broken lines showing hardware (fasteners, clips, and buckles) depict environmental subject matter only and form no part of the claimed design. The broken lines on the service dog vest depict stitching and form no part of the claimed design.

**1 Claim, 5 Drawing Sheets**



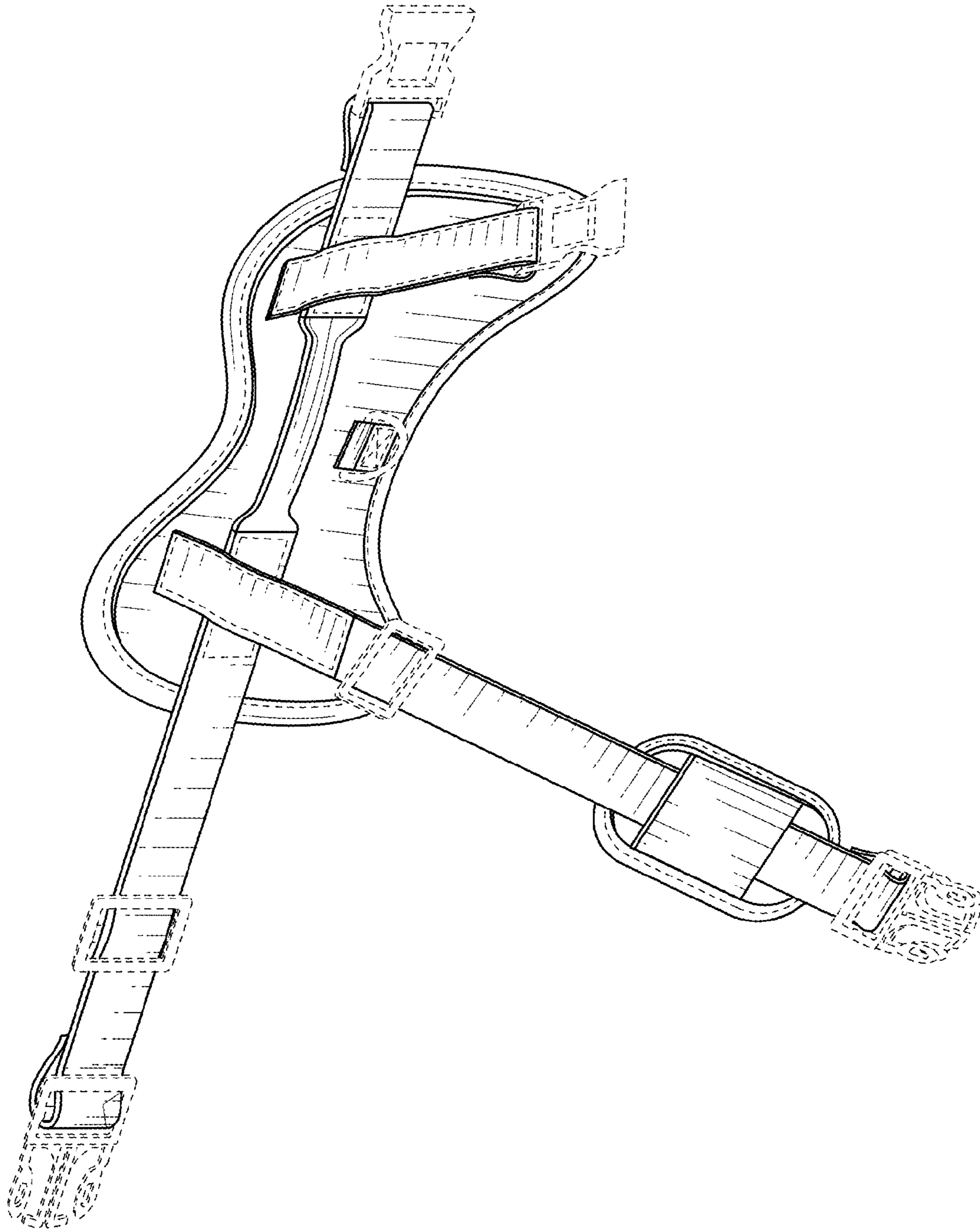


FIG. 1

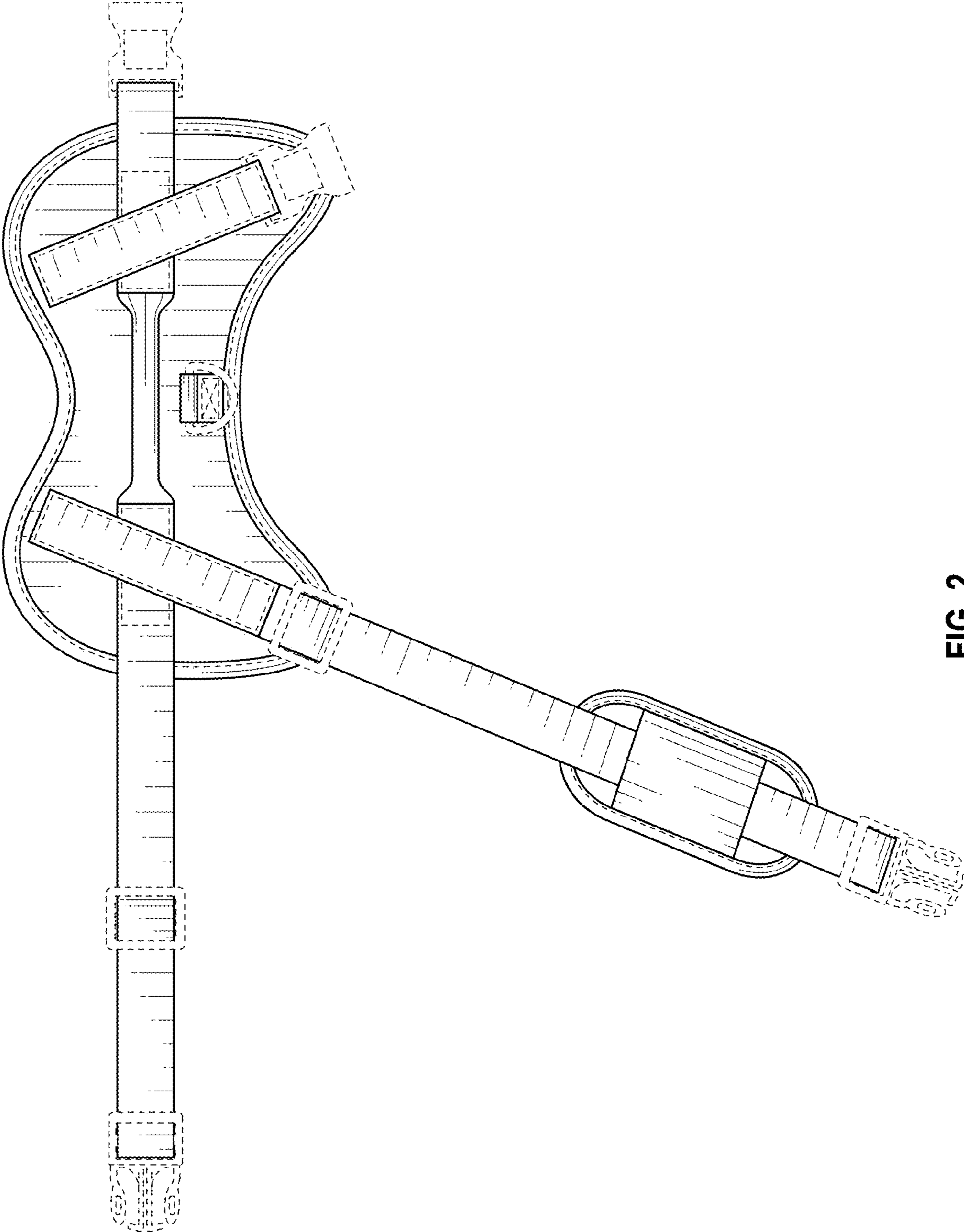


FIG. 2

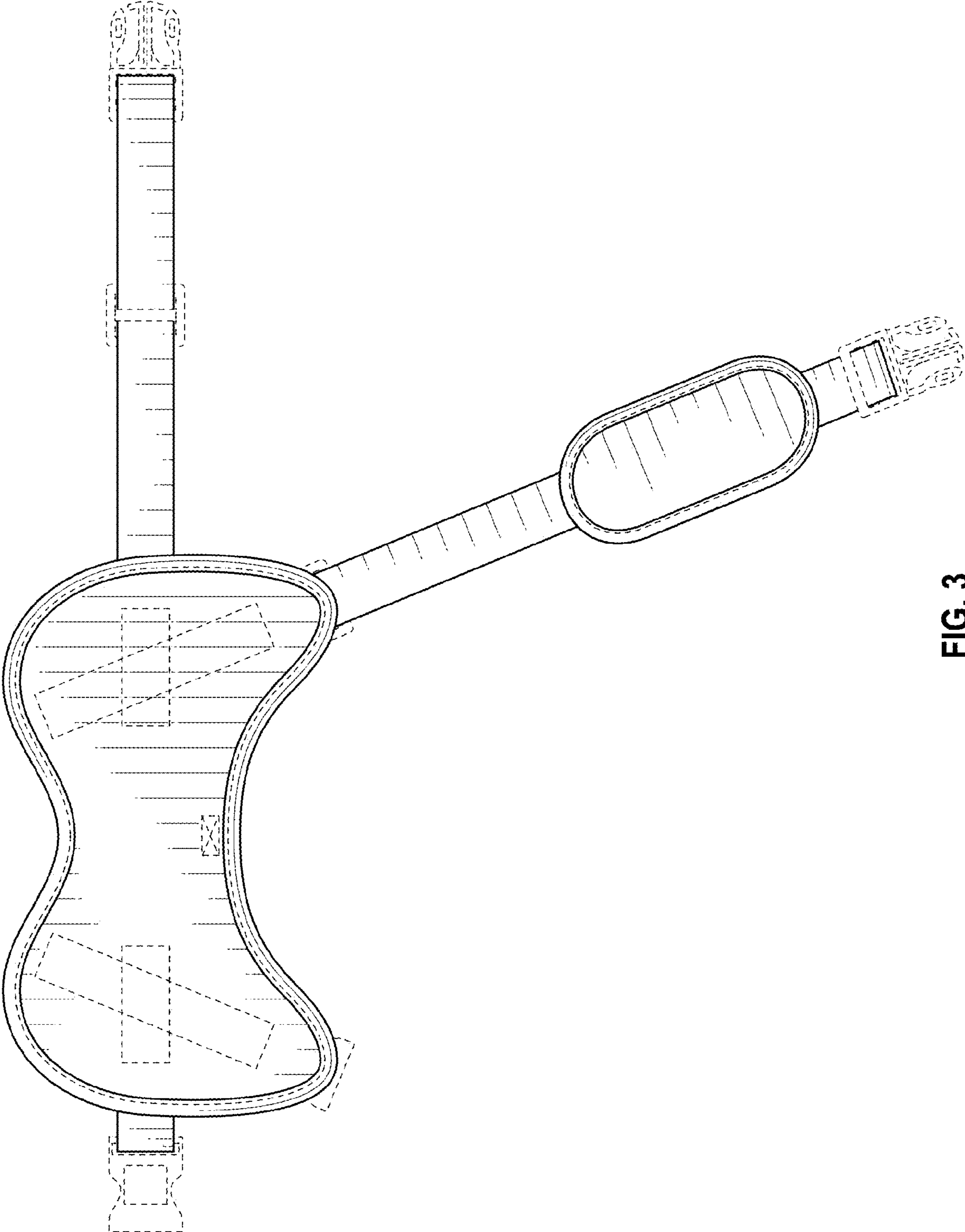


FIG. 3

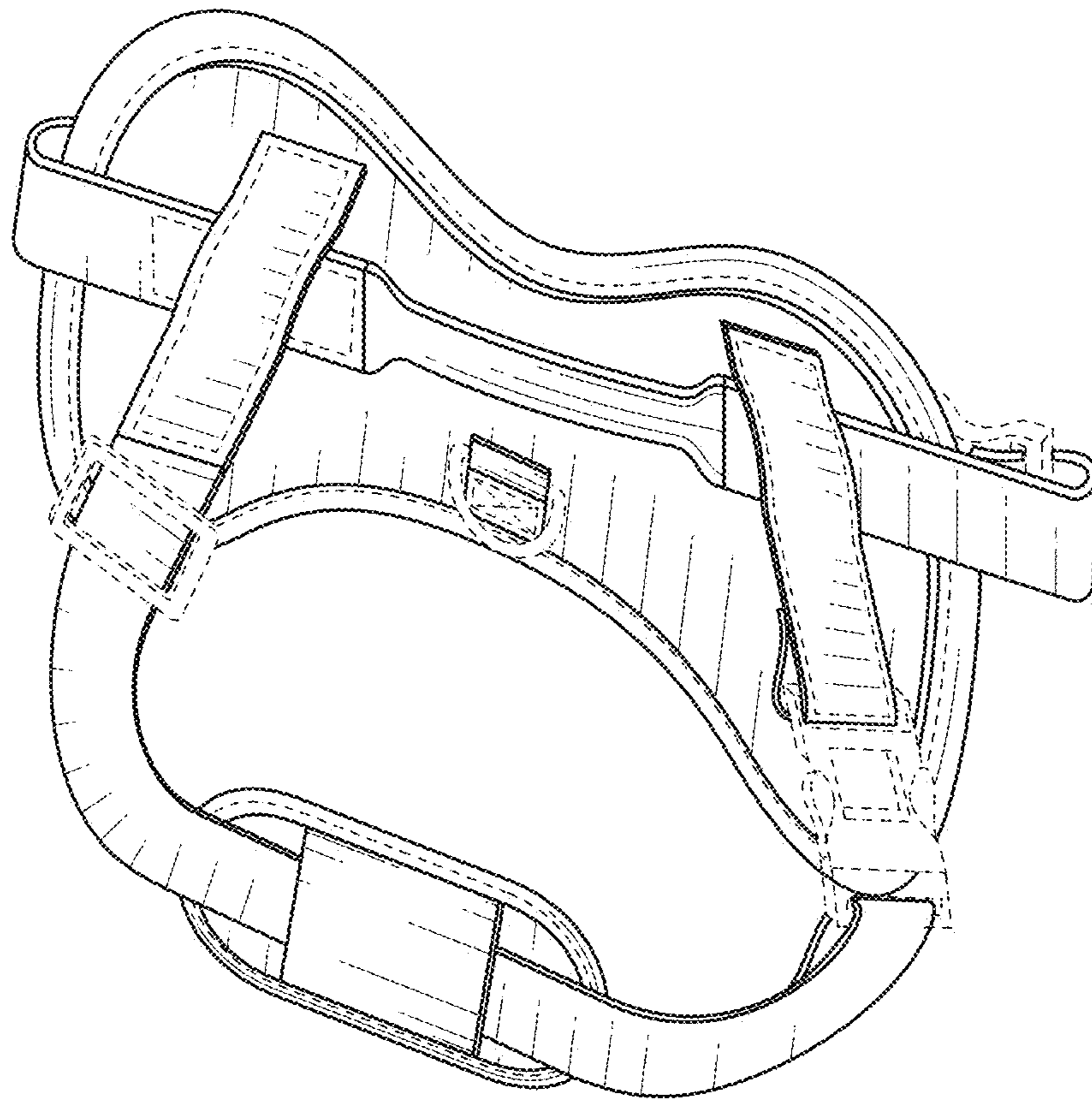


FIG. 4

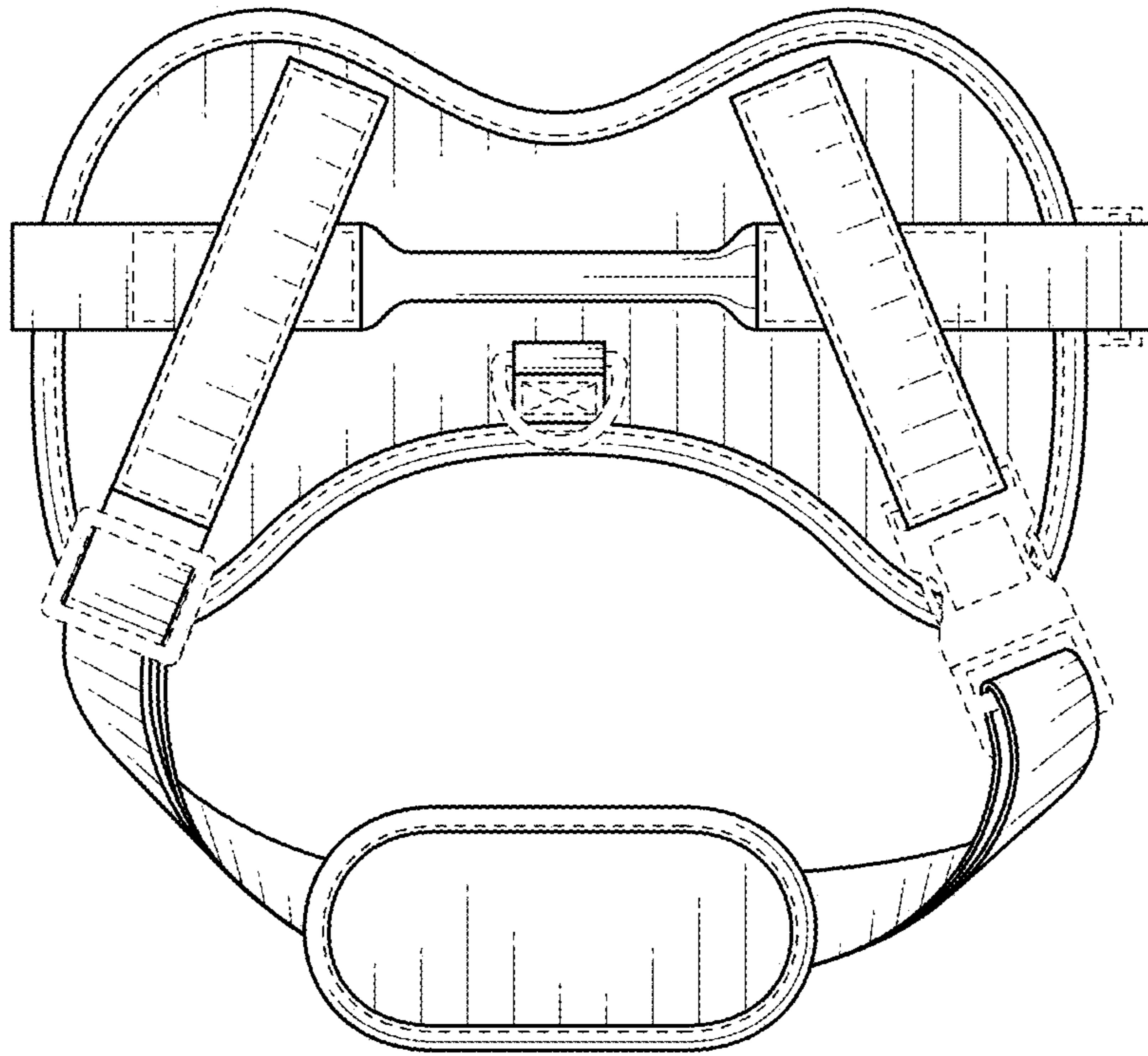


FIG. 5

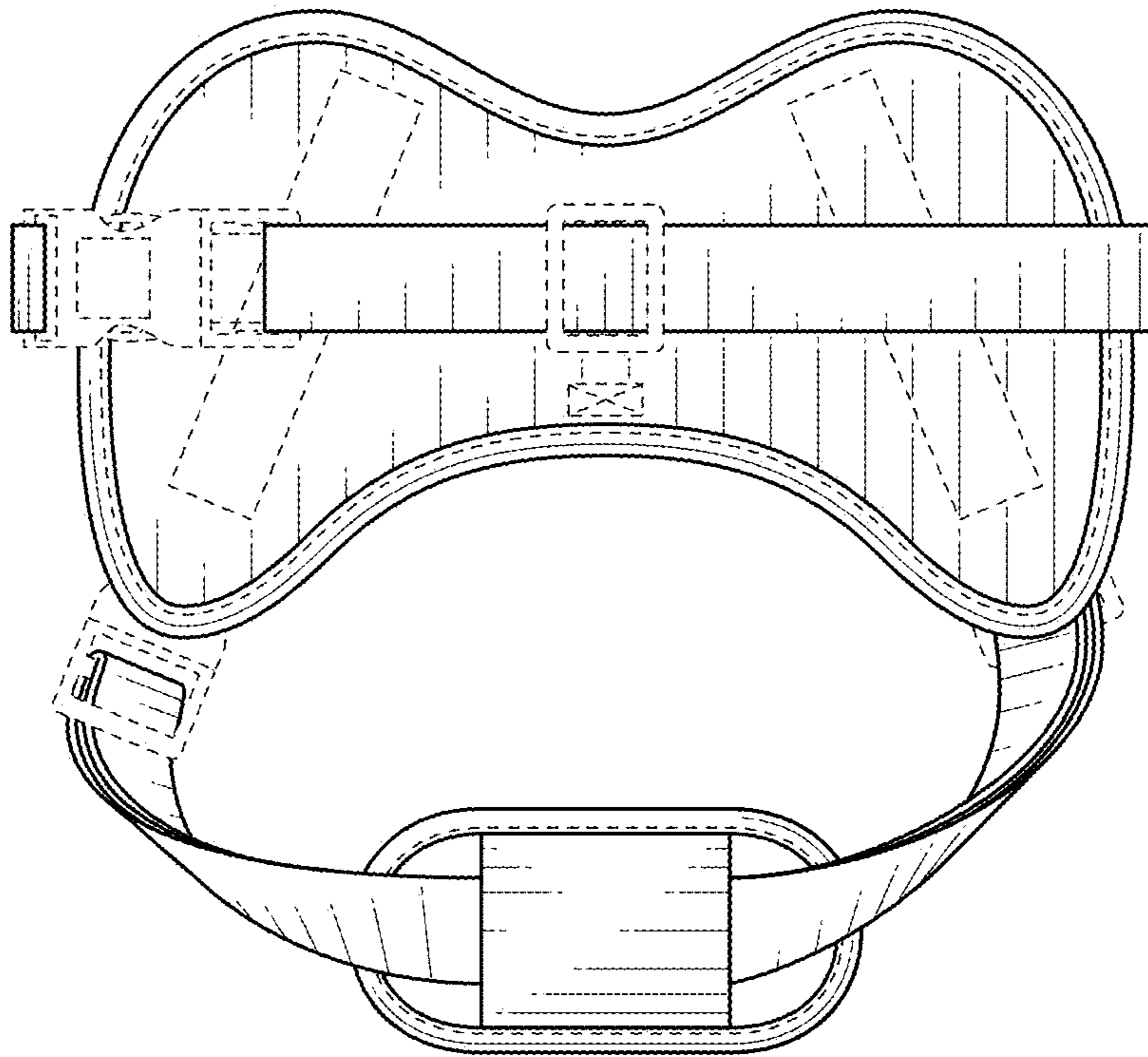


FIG. 6