



US00D916392S

(12) **United States Design Patent** (10) **Patent No.:** **US D916,392 S**
Sciortino et al. (45) **Date of Patent:** **** Apr. 13, 2021**

- (54) **PET FEEDER** 5,285,992 A 2/1994 Brown
5,501,176 A 3/1996 Tully
5,509,376 A * 4/1996 Tsengas A01K 5/0114
108/156
- (71) Applicant: **Salvatore Sciortino**, Levittown, NY (US) 5,584,263 A 12/1996 Sexton
D386,838 S * 11/1997 Pini D30/133
D424,252 S * 5/2000 Hirsh D30/130
D499,029 S * 11/2004 Maarberg D10/46.3
7,318,391 B2 1/2008 Brillon
8,082,883 B2 12/2011 Aletti
8,479,686 B2 7/2013 Johnson
D699,402 S * 2/2014 Diskin D30/133
8,776,725 B1 7/2014 Grijalva
8,888,070 B2 11/2014 Olesen
9,144,225 B1 9/2015 Gaccione et al.
9,288,967 B1 3/2016 Wampler
10,052,764 B2 8/2018 Chelian et al.
- (72) Inventors: **Salvatore Sciortino**, Levittown, NY (US); **Andrew Martin**, Bayport, NY (US); **Christopher Montalbano**, Huntington, NY (US); **Gregory Montalbano**, Huntington, NY (US)
- (73) Assignee: **Salvatore Sciortino**, Levittown, NY (US)
- (**) Term: **15 Years**

(Continued)

- (21) Appl. No.: **29/681,810**
- (22) Filed: **Feb. 28, 2019**
- (51) **LOC (13) Cl.** **30-03**
- (52) **U.S. Cl.**
USPC **D30/133**
- (58) **Field of Classification Search**
USPC D30/121, 129, 130, 131, 132, 133, 199;
119/51.01, 51.1, 52.1, 61.1, 61.51, 61.55,
119/61.5, 61.56
CPC A01K 5/00; A01K 5/0121; A01K 5/0135;
A01K 7/005
See application file for complete search history.

Primary Examiner — Michael C Stout
Assistant Examiner — Katrina N Gonzalez
(74) *Attorney, Agent, or Firm* — Carter, Deluca & Farrell LLP; George Likourezos

(57) **CLAIM**

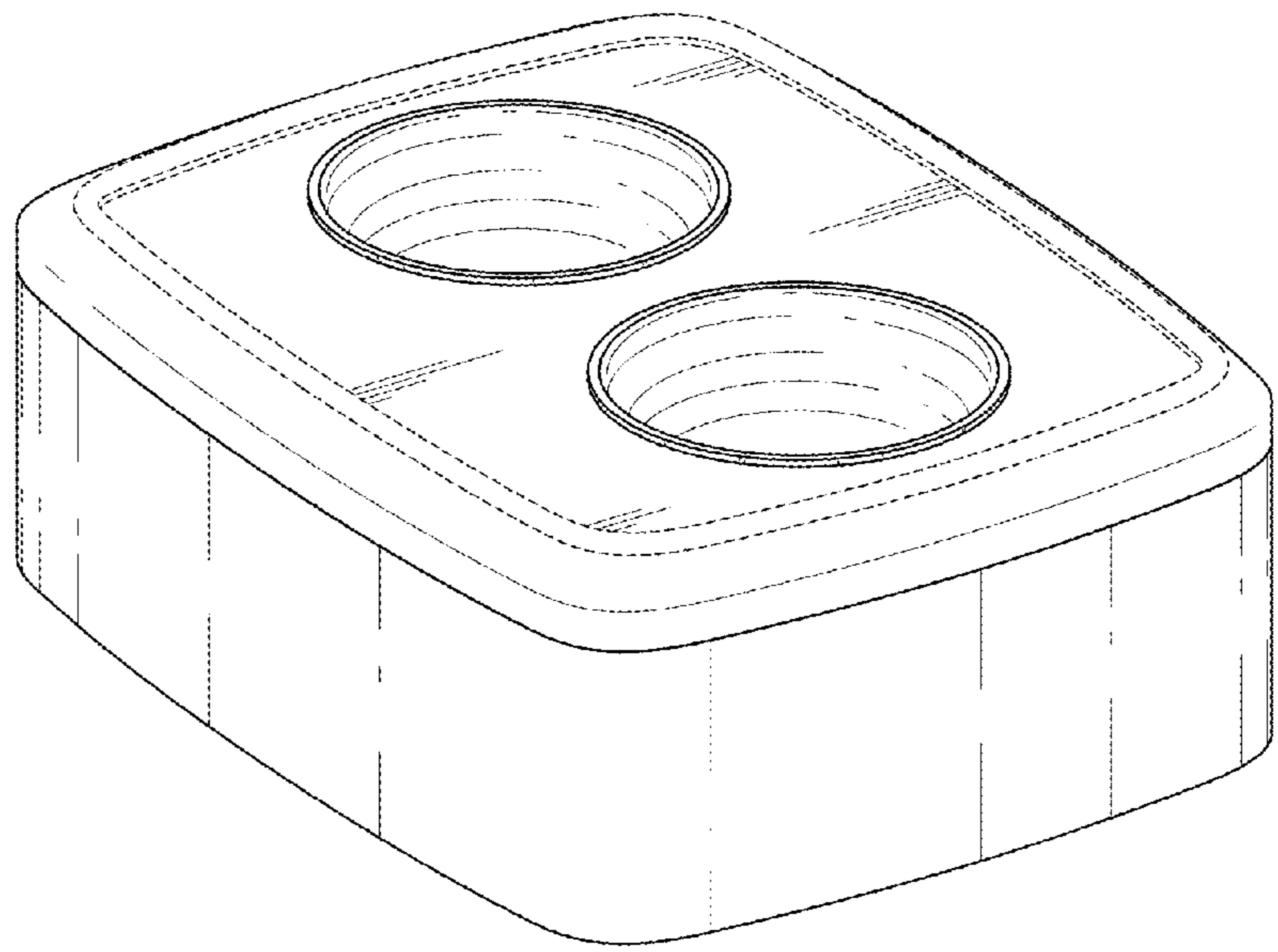
The ornamental design for a pet feeder, as shown and described.

DESCRIPTION

FIG. 1 is a perspective view of the pet feeder according to the present disclosure;
FIG. 2 is a front side view of the pet feeder according to the present disclosure;
FIG. 3 is a left side view of the pet feeder according to the present disclosure;
FIG. 4 is a top view of the pet feeder according to the present disclosure; and,
FIG. 5 is a bottom view of the pet feeder according to the present disclosure.
The broken lines illustrate portions of the pet feeder that form no part of the claimed design.

- (56) **References Cited**
U.S. PATENT DOCUMENTS
- D107,453 S * 12/1937 Preston D7/364
D109,359 S * 4/1938 Stocker D7/364
4,232,901 A 11/1980 Harrington et al.
D258,018 S * 1/1981 Venditto 119/51.5
4,511,110 A 4/1985 Moller
4,658,759 A 4/1987 Brown
4,976,223 A 12/1990 Pierce
D316,214 S * 4/1991 O'Donnell 83/222
5,054,431 A 10/1991 Coviello

1 Claim, 3 Drawing Sheets



(56)

References Cited

U.S. PATENT DOCUMENTS

10,098,321	B2	10/2018	McKay
10,149,456	B2	12/2018	Diamond
2006/0075974	A1	4/2006	Kennedy
2006/0272893	A1	12/2006	Foggio et al.
2007/0089678	A1	4/2007	Greenwood
2008/0023479	A1	1/2008	Sadriwalla
2008/0035066	A1	2/2008	Enriquez et al.
2010/0147224	A1	6/2010	Aletti
2015/0308615	A1	10/2015	Neaves
2015/0313176	A1	11/2015	Gelinas
2016/0242385	A1	8/2016	Parness
2016/0316715	A1	11/2016	Diamond

* cited by examiner

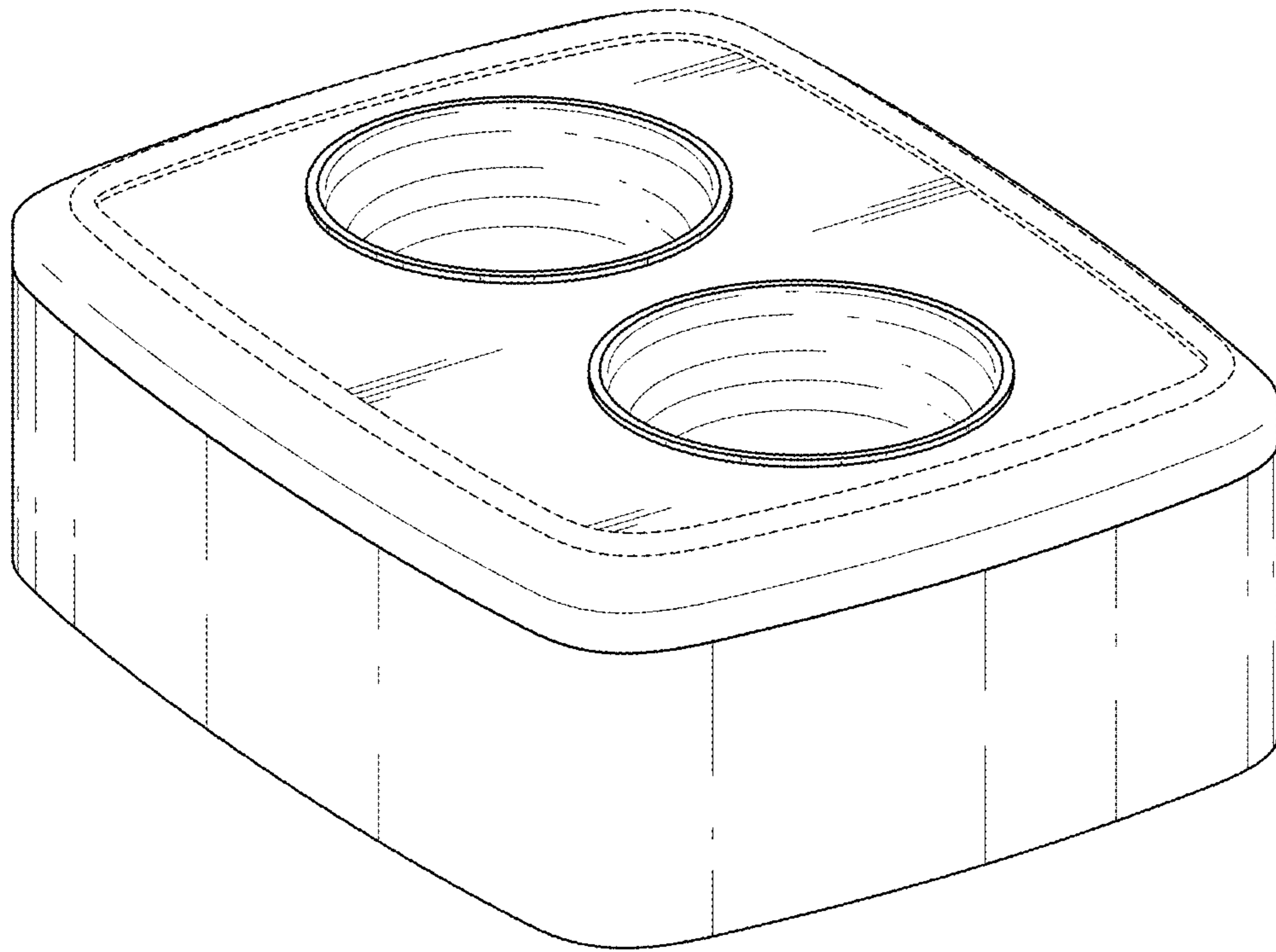


FIG. 1

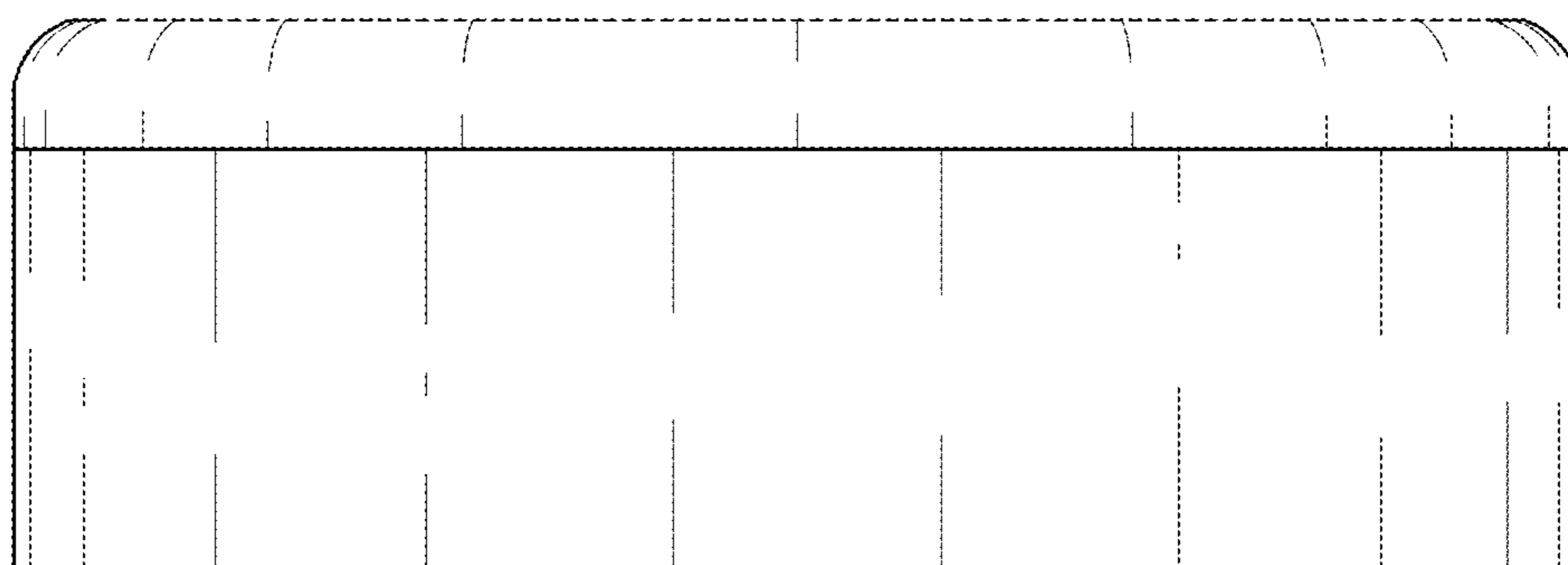


FIG. 2

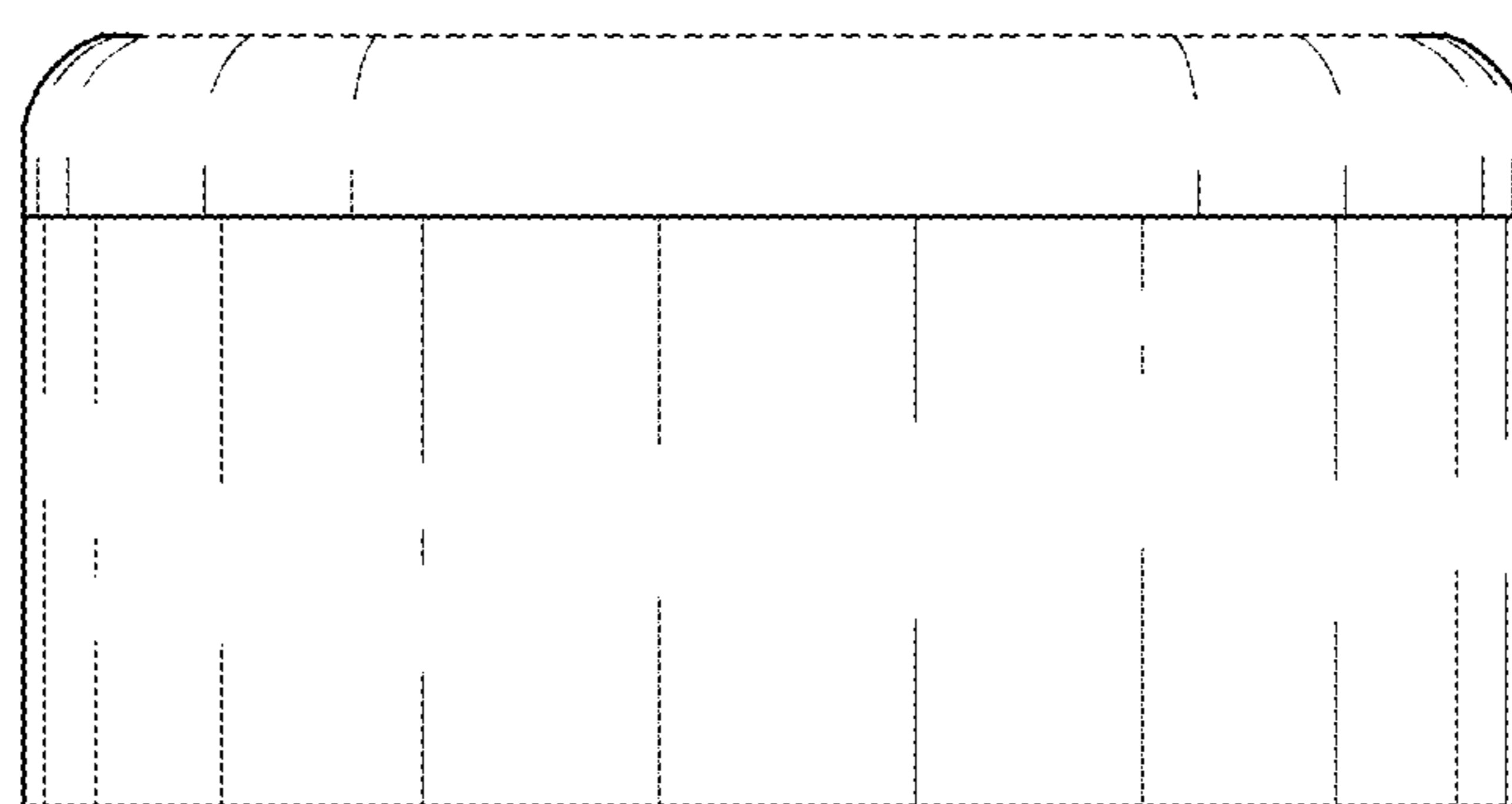


FIG. 3

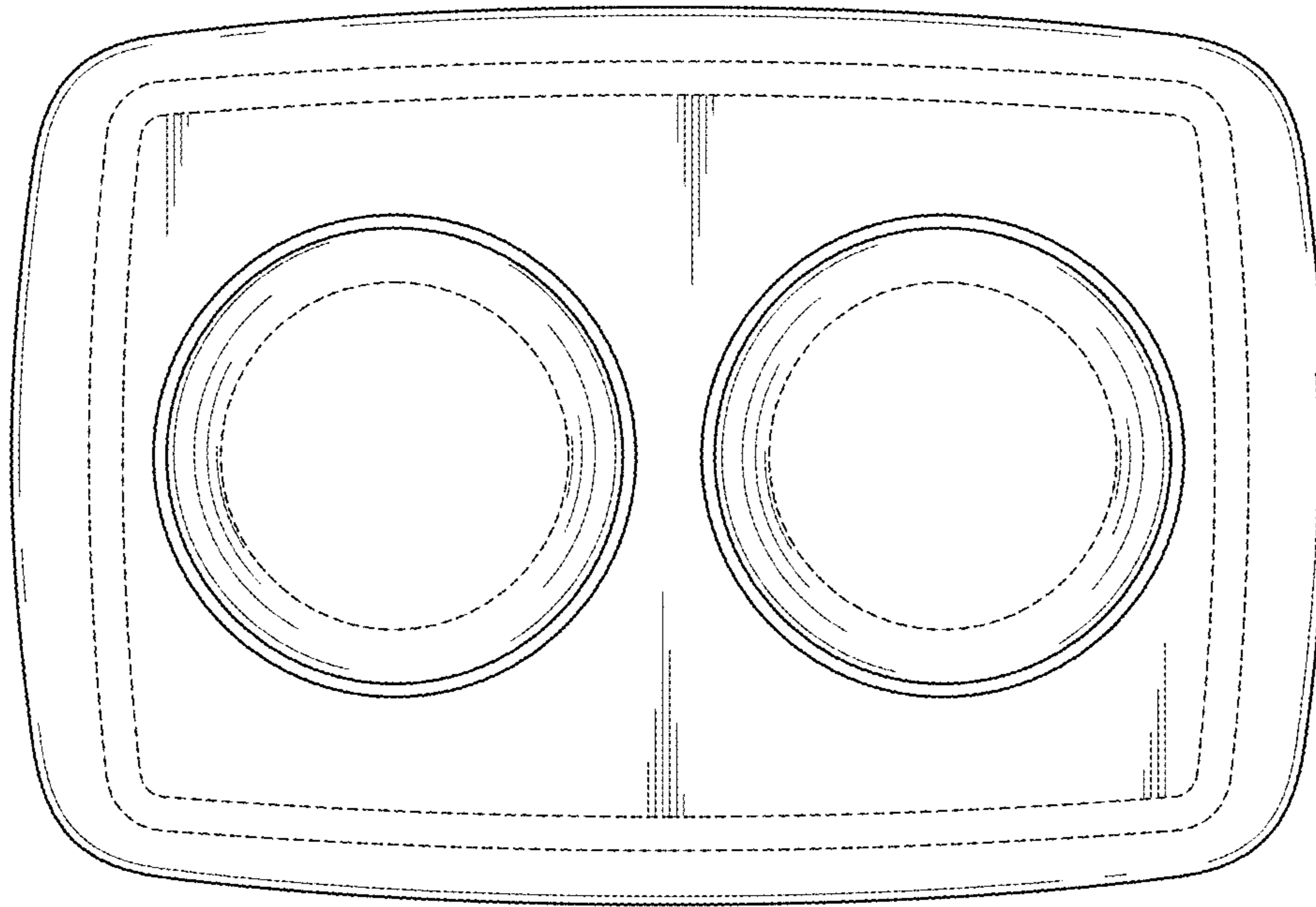


FIG. 4

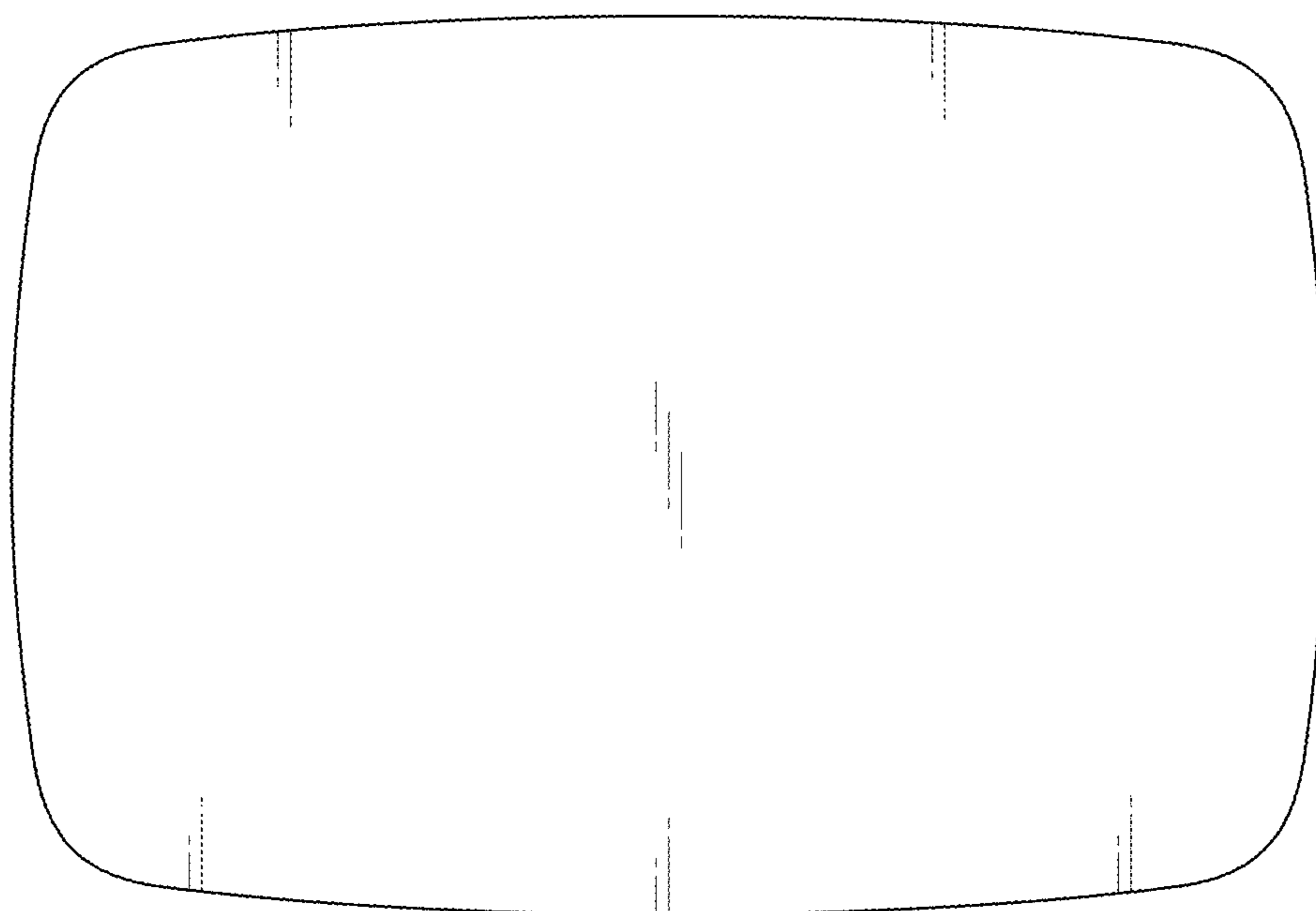


FIG. 5