

US00D916390S

(12) **United States Design Patent** (10) **Patent No.:** **US D916,390 S**
Pan (45) **Date of Patent:** **** Apr. 13, 2021**

(54) **PET FOOD BOWL**

(71) Applicant: **Min Pan**, Hangzhou (CN)

(72) Inventor: **Min Pan**, Hangzhou (CN)

(**) Term: **15 Years**

(21) Appl. No.: **29/712,716**

(22) Filed: **Nov. 11, 2019**

(51) **LOC (13) Cl.** **30-03**

(52) **U.S. Cl.**
USPC **D30/129**

(58) **Field of Classification Search**
USPC D30/121, 122, 130-133, 199; 119/51.01,
119/51.5, 61.5, 61.52, 61.53, 61.54,
119/61.55, 72, 73
CPC . A01K 5/00; A01K 7/00; A01K 39/02; A01K
39/04; A01K 39/0213
See application file for complete search history.

(56) **References Cited**

U.S. PATENT DOCUMENTS

D664,308 S *	7/2012	Crystal	D30/130
D843,177 S *	3/2019	Gonterman	D7/555
D870,982 S *	12/2019	Tsai	D30/129
D887,650 S *	6/2020	MacNeil	D30/133
D894,498 S *	8/2020	MacNeil	D30/129

OTHER PUBLICATIONS

“Vivaglory Small Dog Bowls Set” available Nov. 17, 2019, [online], [site visited Oct. 19, 2020]. Retrieved from Internet, URL:https://

www.amazon.com/dp/B07WGCJDTR/ref=sspa_dk_detail_1 (Year: 2019).*

* cited by examiner

Primary Examiner — Michael C Stout
Assistant Examiner — Katrina N Gonzalez
(74) *Attorney, Agent, or Firm* — Fogarty LLP

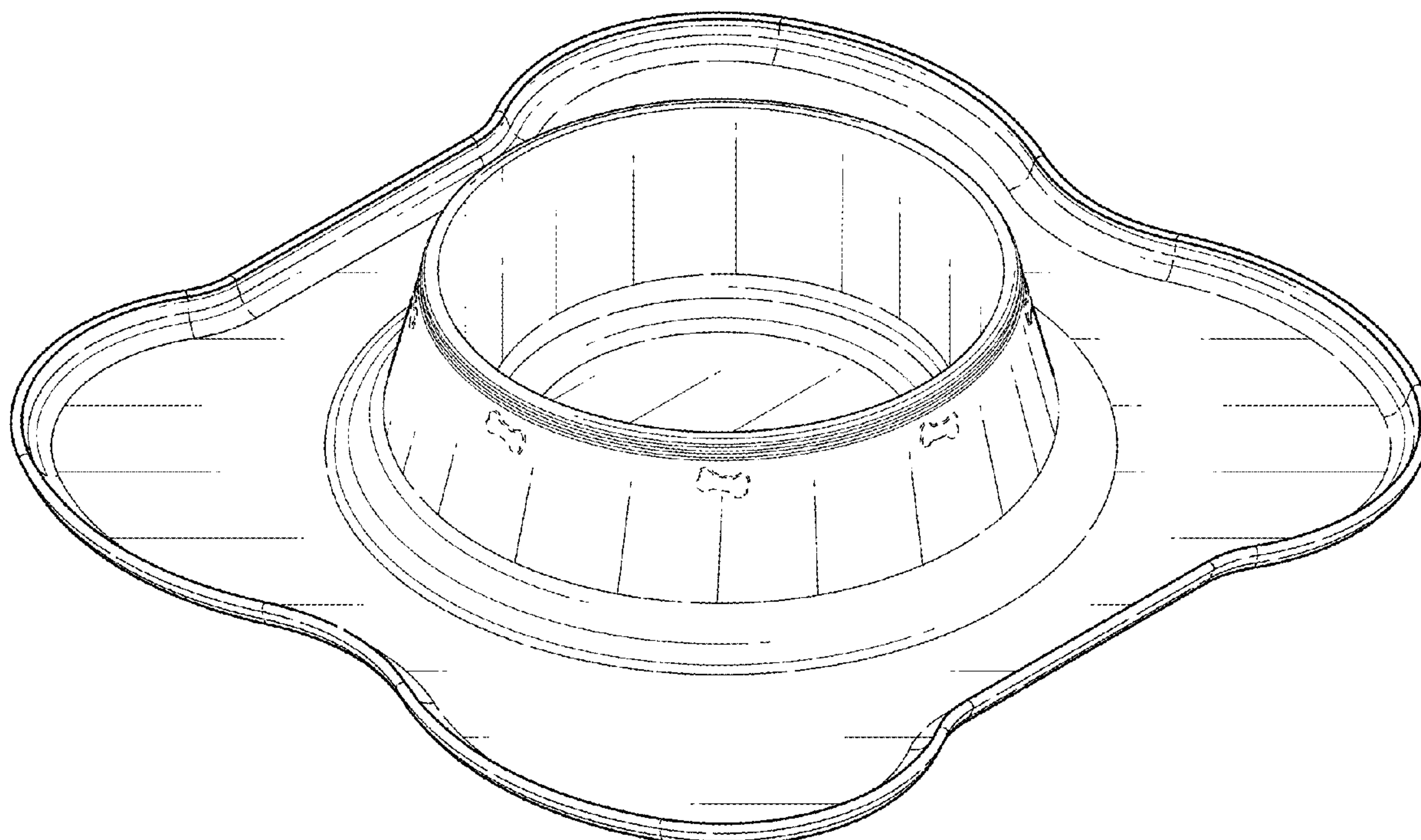
(57) **CLAIM**

The ornamental design for pet food bowl, as shown and described.

DESCRIPTION

FIG. 1 is a top perspective view of the design.
FIG. 2 is a bottom perspective view thereof.
FIG. 3 is a right side elevation view thereof.
FIG. 4 is a left side elevation view thereof.
FIG. 5 is a front elevation view thereof.
FIG. 6 is a rear elevation view thereof.
FIG. 7 is a top plan view thereof.
FIG. 8 is a bottom plan view thereof.
FIG. 9 is a top perspective view thereof, but shown with a bowl in a usage state in an environmental view; and,
FIG. 10 is an exploded top perspective view of FIG. 9.
The broken lines showing a bowl and dog bone indicia illustrate environmental structure that form no part of the claimed design.

1 Claim, 7 Drawing Sheets



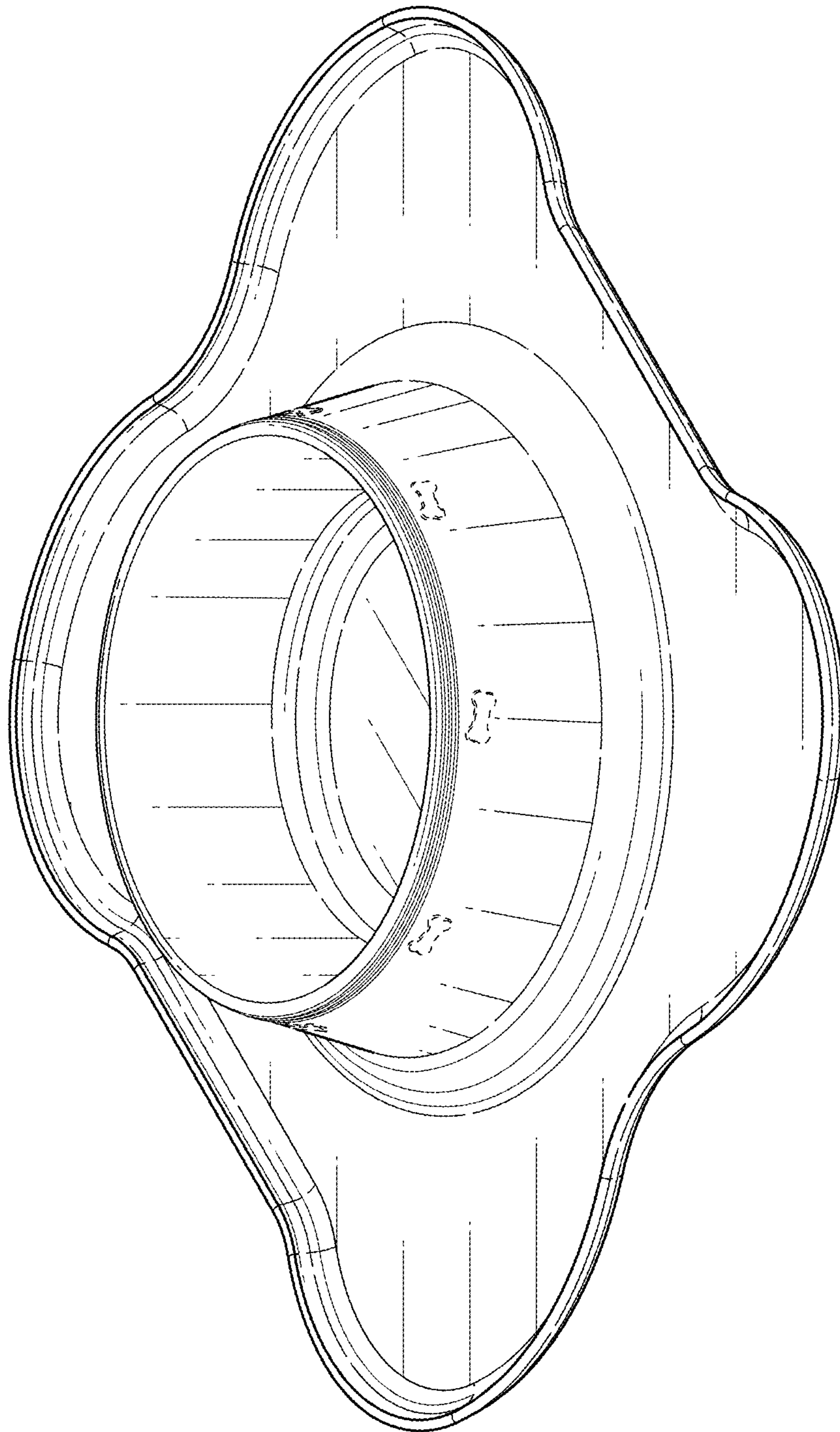


FIG. 1

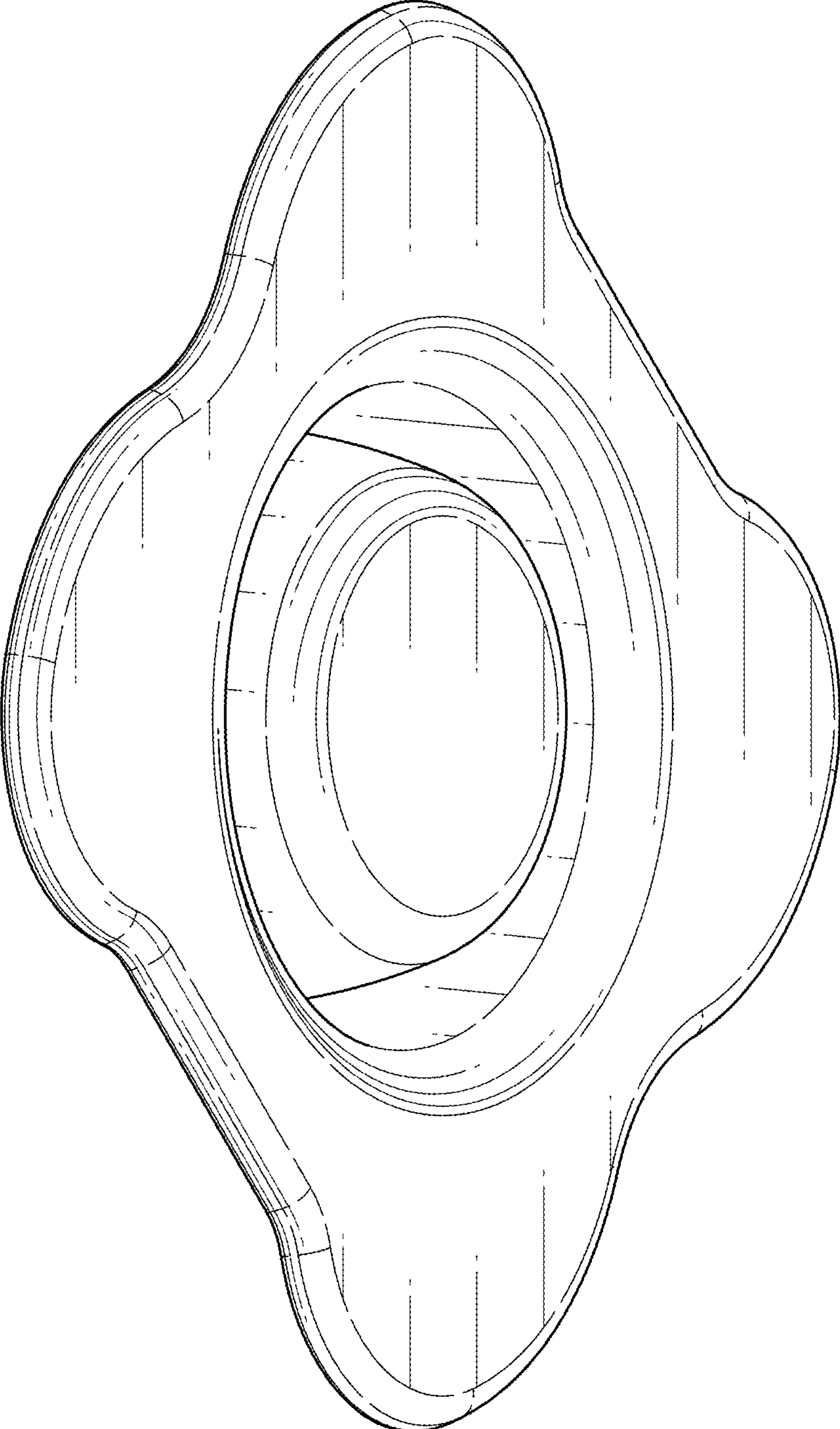


FIG. 2

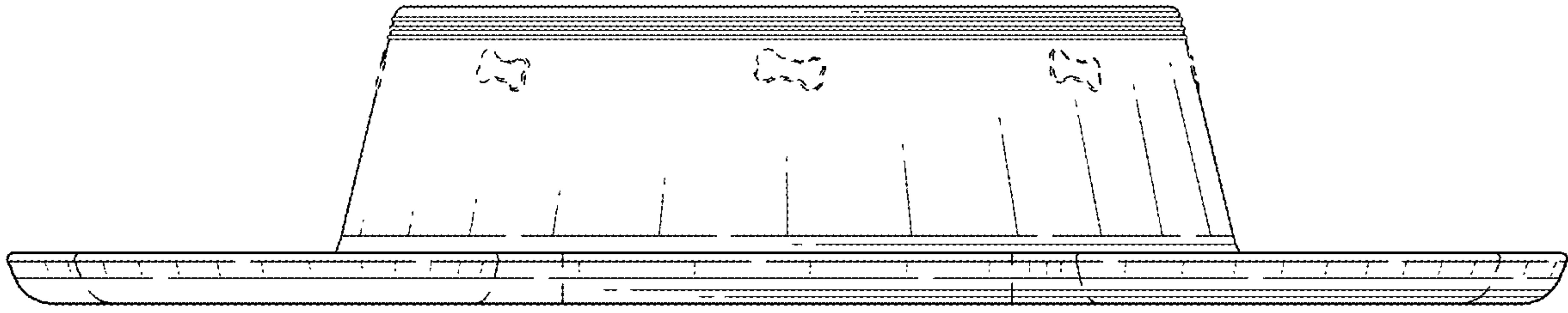


FIG. 3

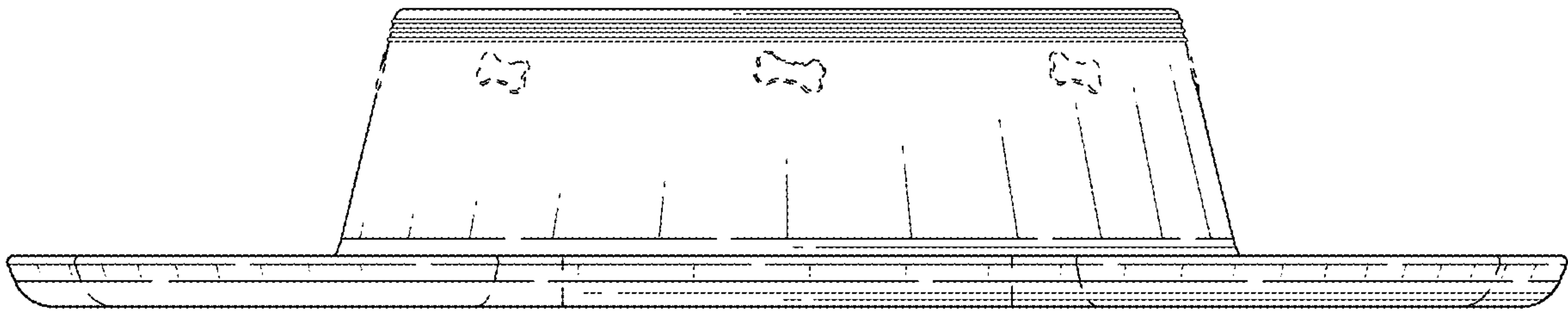


FIG. 4

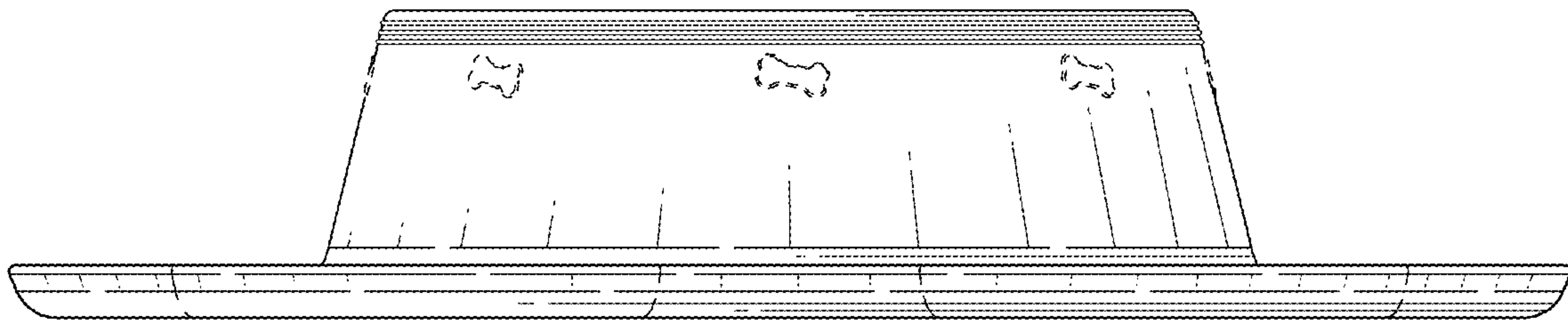


FIG. 5

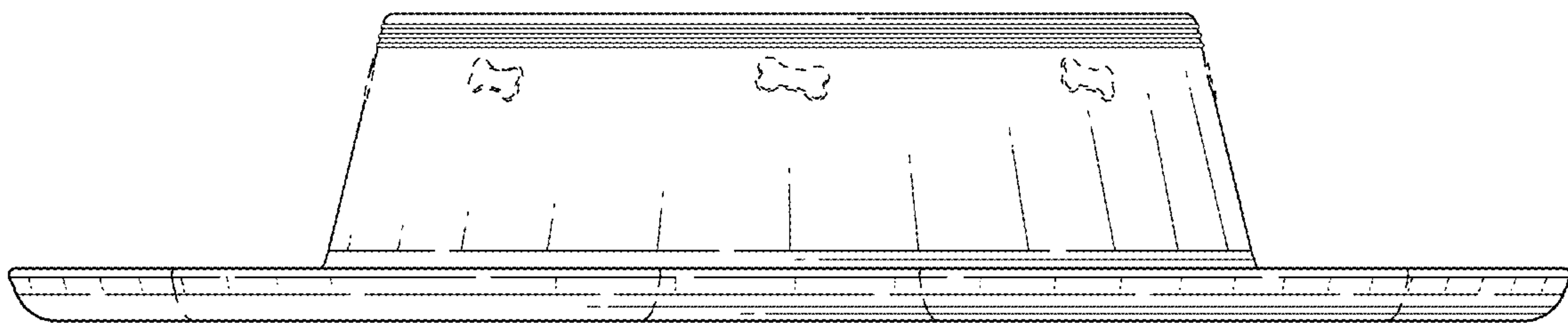


FIG. 6

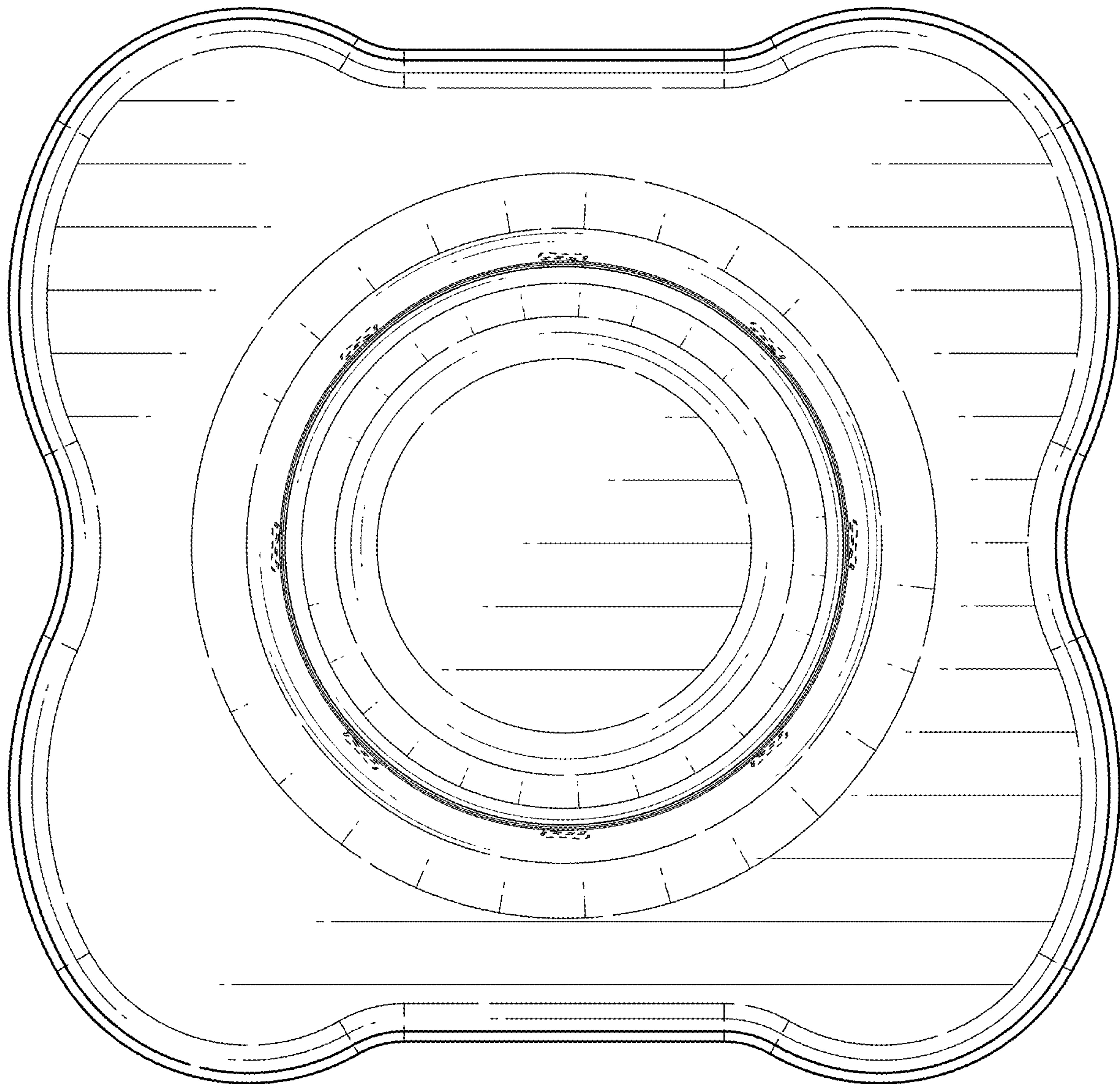


FIG. 7

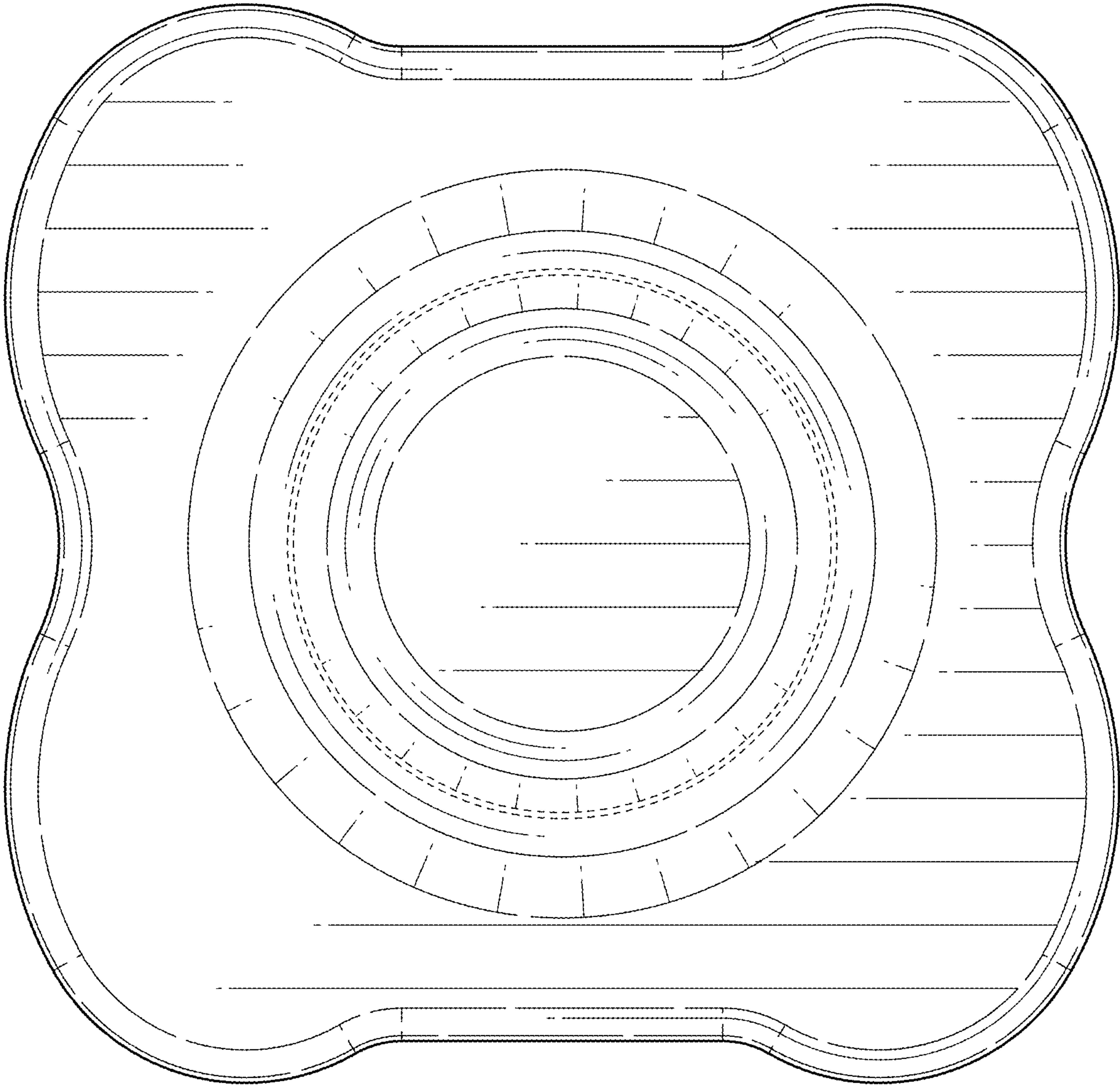


FIG. 8

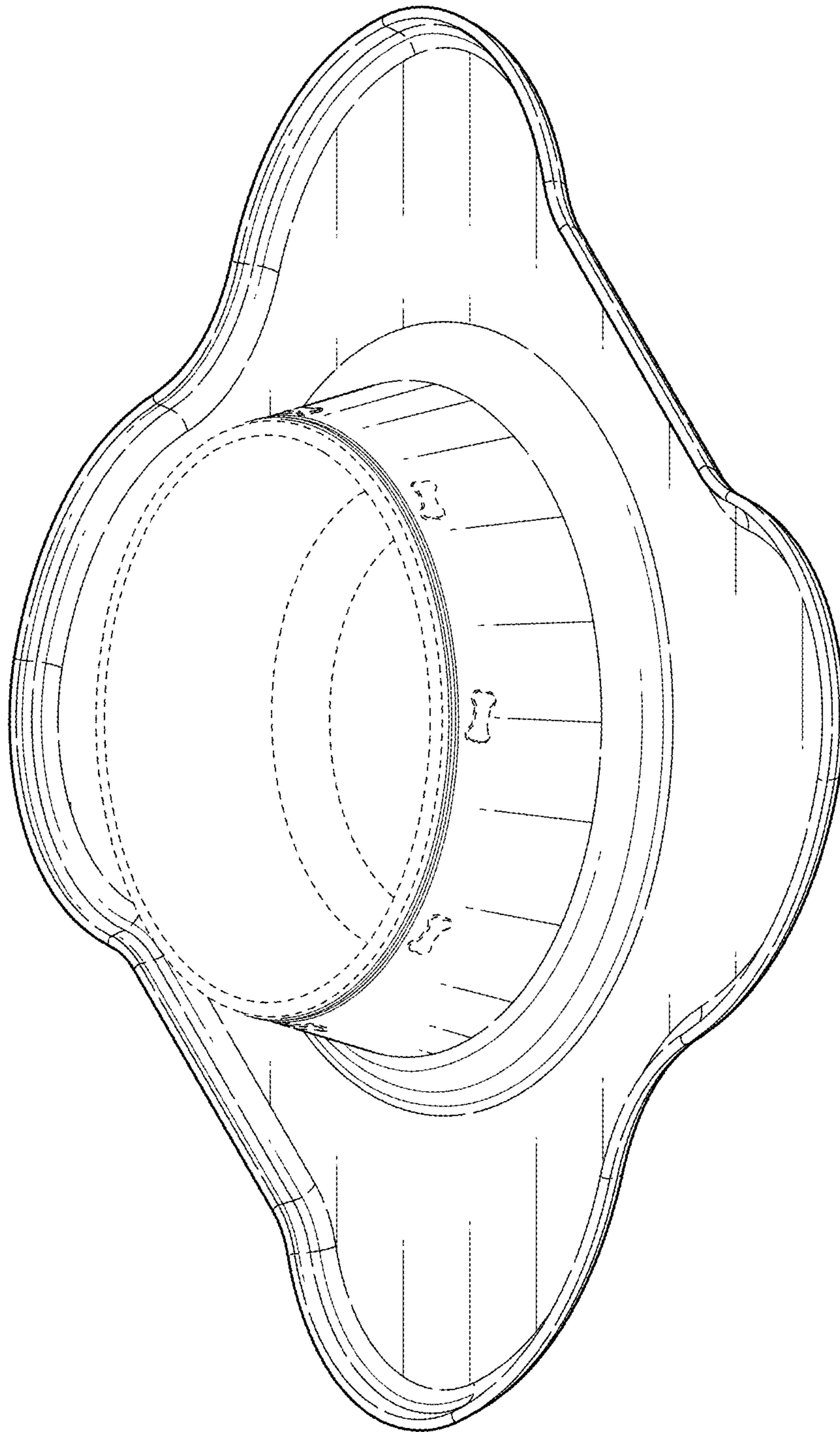


FIG. 9

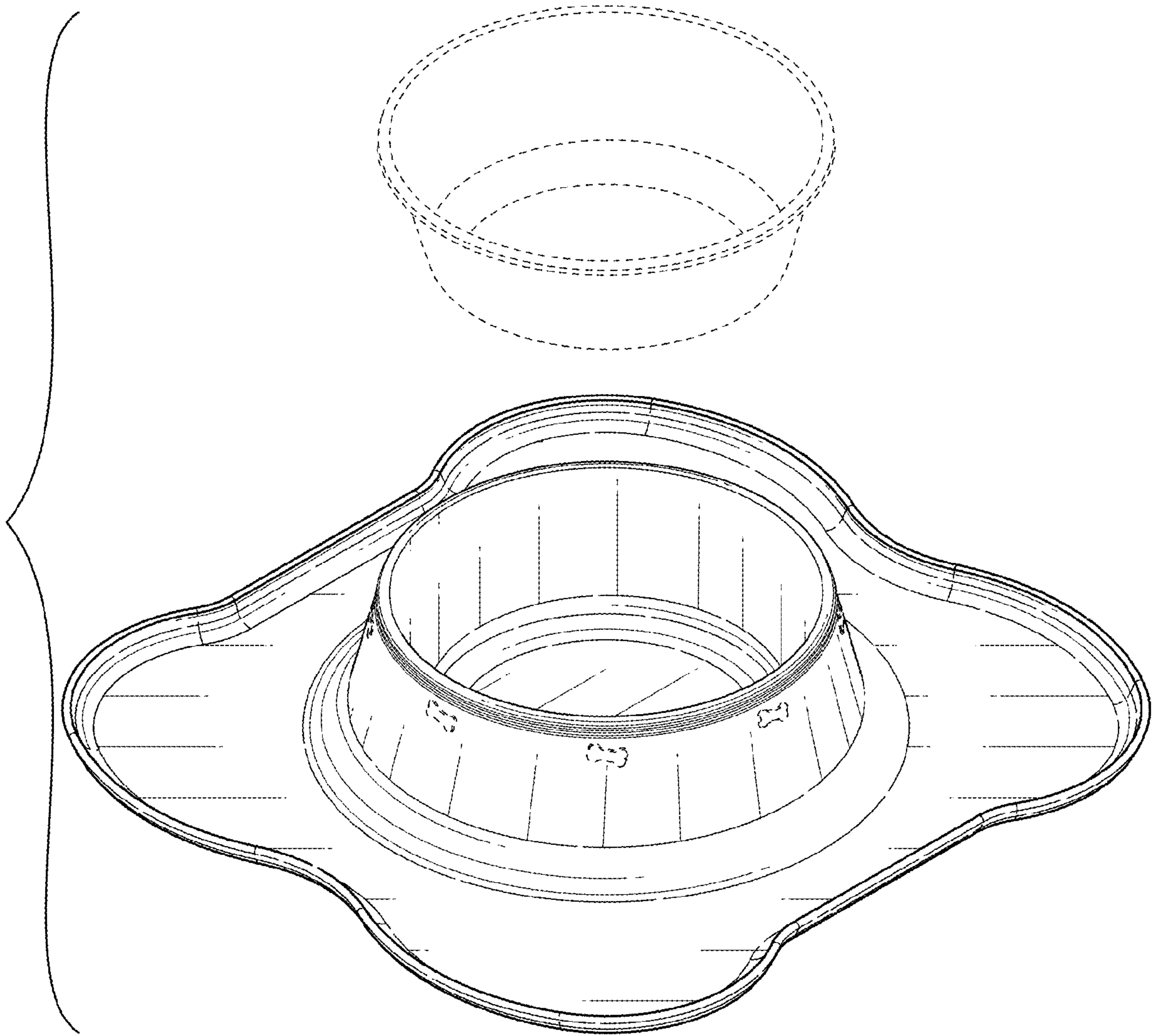


FIG. 10