



US00D916387S

(12) **United States Design Patent** (10) **Patent No.:** **US D916,387 S**
Abe et al. (45) **Date of Patent:** **** Apr. 13, 2021**

(54) **PANEL FOR A PET PLAYPEN**

(71) Applicant: **IRIS OHYAMA INC.**, Sendai (JP)
(72) Inventors: **Shunya Abe**, Kakuda (JP); **Masayuki Miyawaki**, Kakuda (JP)
(73) Assignee: **IRIS OHYAMA INC.**, Sendai (JP)
(**) Term: **15 Years**
(21) Appl. No.: **29/671,921**

(22) Filed: **Nov. 30, 2018**

(30) **Foreign Application Priority Data**

Jun. 1, 2018 (JP) 2018-012120

(51) **LOC (13) Cl.** **30-02**

(52) **U.S. Cl.**
USPC **D30/119**

(58) **Field of Classification Search**
USPC D30/108, 119, 199; D25/38.1, 39, 42, D25/43, 48.5; D6/331, 332, 391
CPC .. A01K 1/0017; A01K 1/0023; A01K 1/0029; A01K 1/035; A01K 3/00; E06B 9/0638; E06B 9/00; E06B 9/01; E06B 9/02; E06B 9/04; E06B 9/08; E06B 9/11; E06B 9/115; E06B 9/15; E06B 9/40; E06B 9/0692; E06B 2009/002; E06B 2009/135
See application file for complete search history.

(56) **References Cited**

U.S. PATENT DOCUMENTS

D348,988 S * 7/1994 Bro D6/331
D370,268 S * 5/1996 Houry D25/138
D384,752 S * 10/1997 Scherer D25/48.5
D463,036 S * 9/2002 Pettitt D25/38.1
D474,282 S * 5/2003 Miller D25/48.5

(Continued)

OTHER PUBLICATIONS

“IRIS USA 24-inch 2 Panel Exercise Pet Playpen Add-On.” Found online Jan. 15, 2021 at www.amazon.com. Product first available Dec. 11, 2018. Retrieved from URL: https://tinyurl.com/yxsttbzh (Year: 2018).*

(Continued)

Primary Examiner — Mary Ann Calabrese
Assistant Examiner — Katelin G Kloberg
(74) *Attorney, Agent, or Firm* — Studebaker & Brackett PC

(57) **CLAIM**

The ornamental design for a panel for a pet playpen, as shown and described.

DESCRIPTION

FIG. 1 is a front, top and right-side perspective view of a panel for a pet playpen showing our new design;
FIG. 2 is a front view thereof;
FIG. 3 is a rear view thereof;
FIG. 4 is a top view thereof;
FIG. 5 is a bottom view thereof;
FIG. 6 is a right-side view thereof;
FIG. 7 is a left-side view thereof;
FIG. 8 is an enlarged cross-sectional view taken along line 8-8 in FIG. 3;
FIG. 9 is an enlarged cross-sectional view taken along line 9-9 in FIG. 3;
FIG. 10 is an enlarged cross-sectional view taken along line 10-10 in FIG. 3;
FIG. 11 is an enlarged cross-sectional view taken along line 11-11 in FIG. 3; and,
FIG. 12 is a perspective view shown in a state of use and reduced in scale.
The broken lines shown represent the environment of the panel for the pet playpen and form no part of the claimed design.

1 Claim, 8 Drawing Sheets

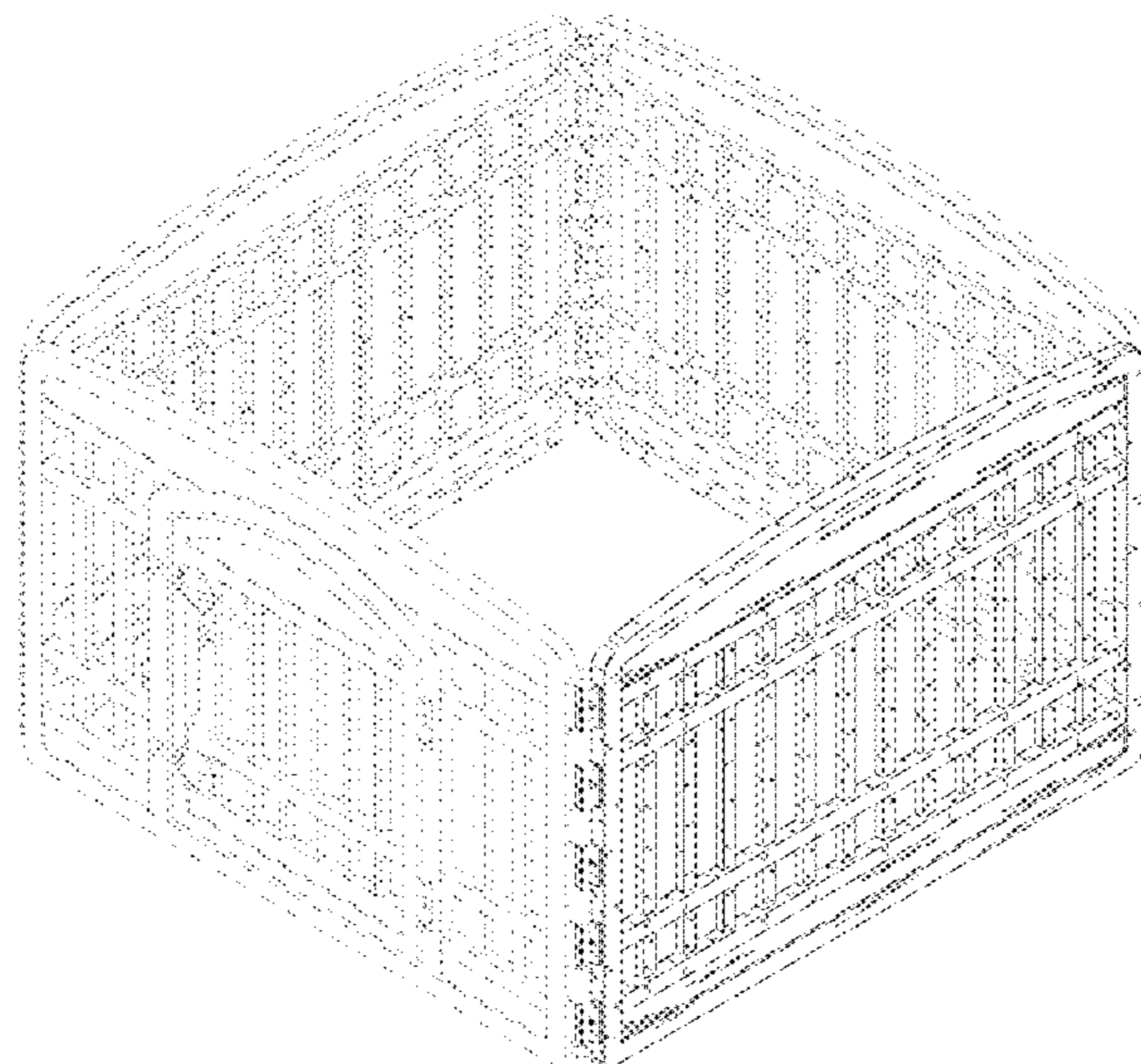


FIG. 1

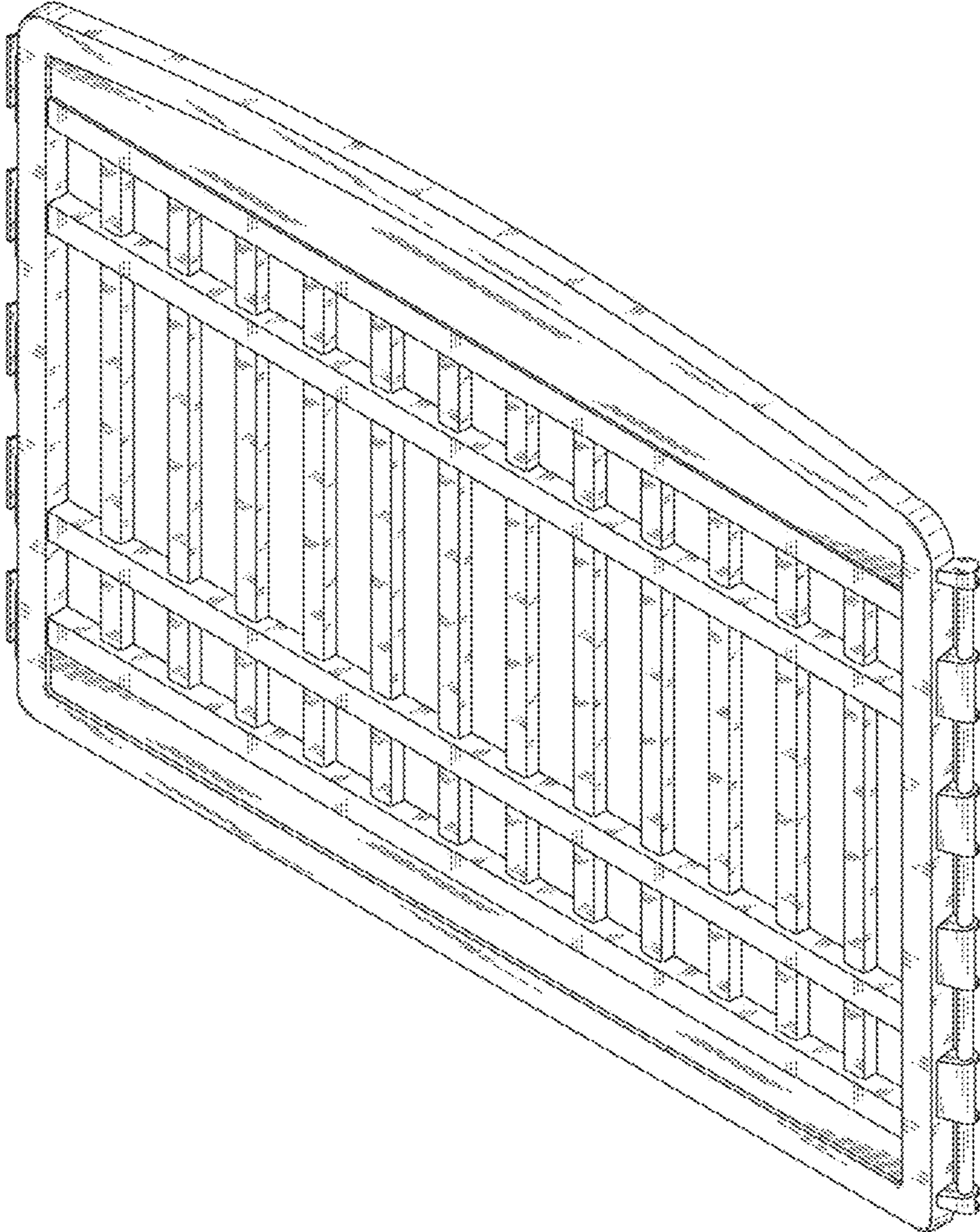


FIG. 2

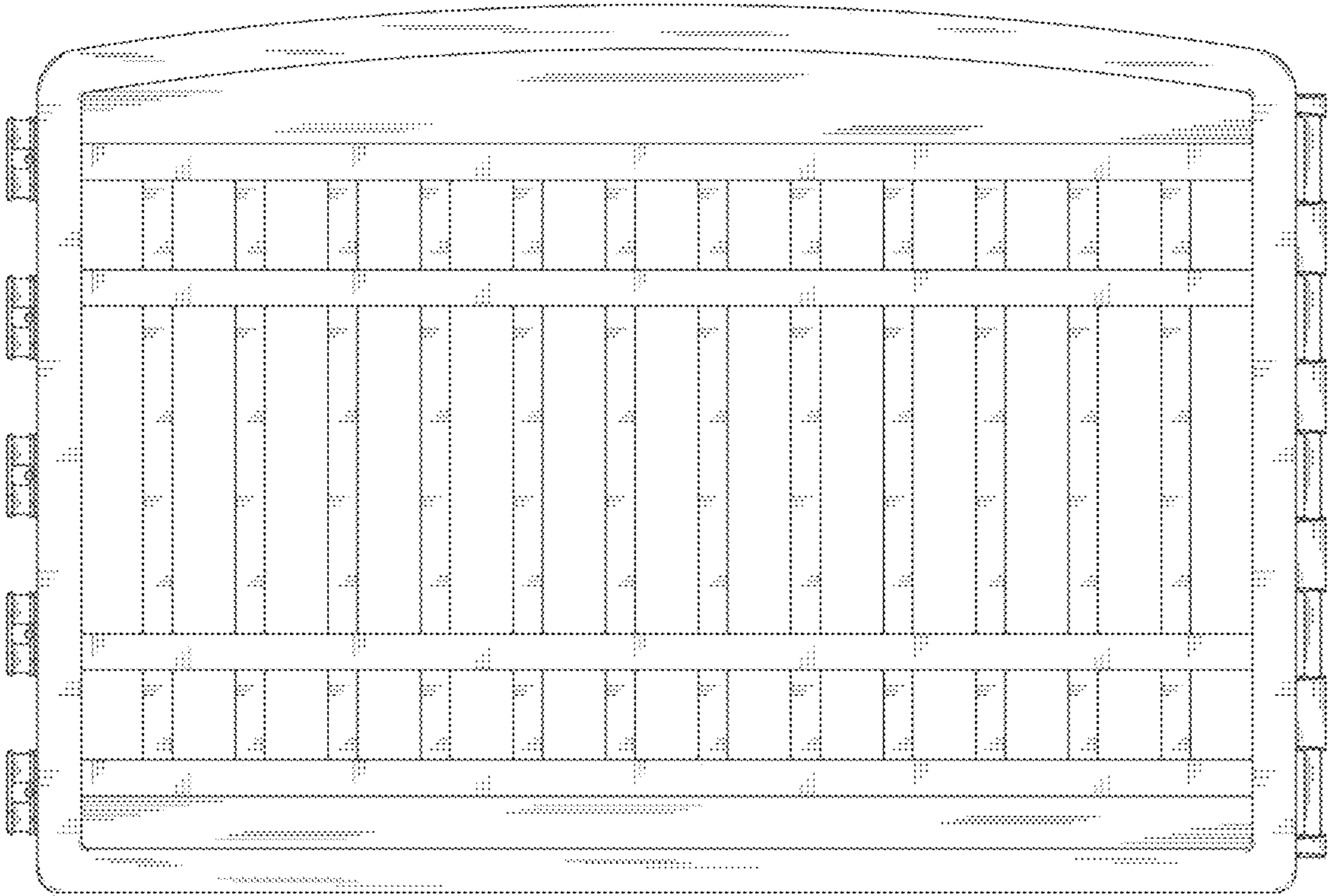


FIG. 3

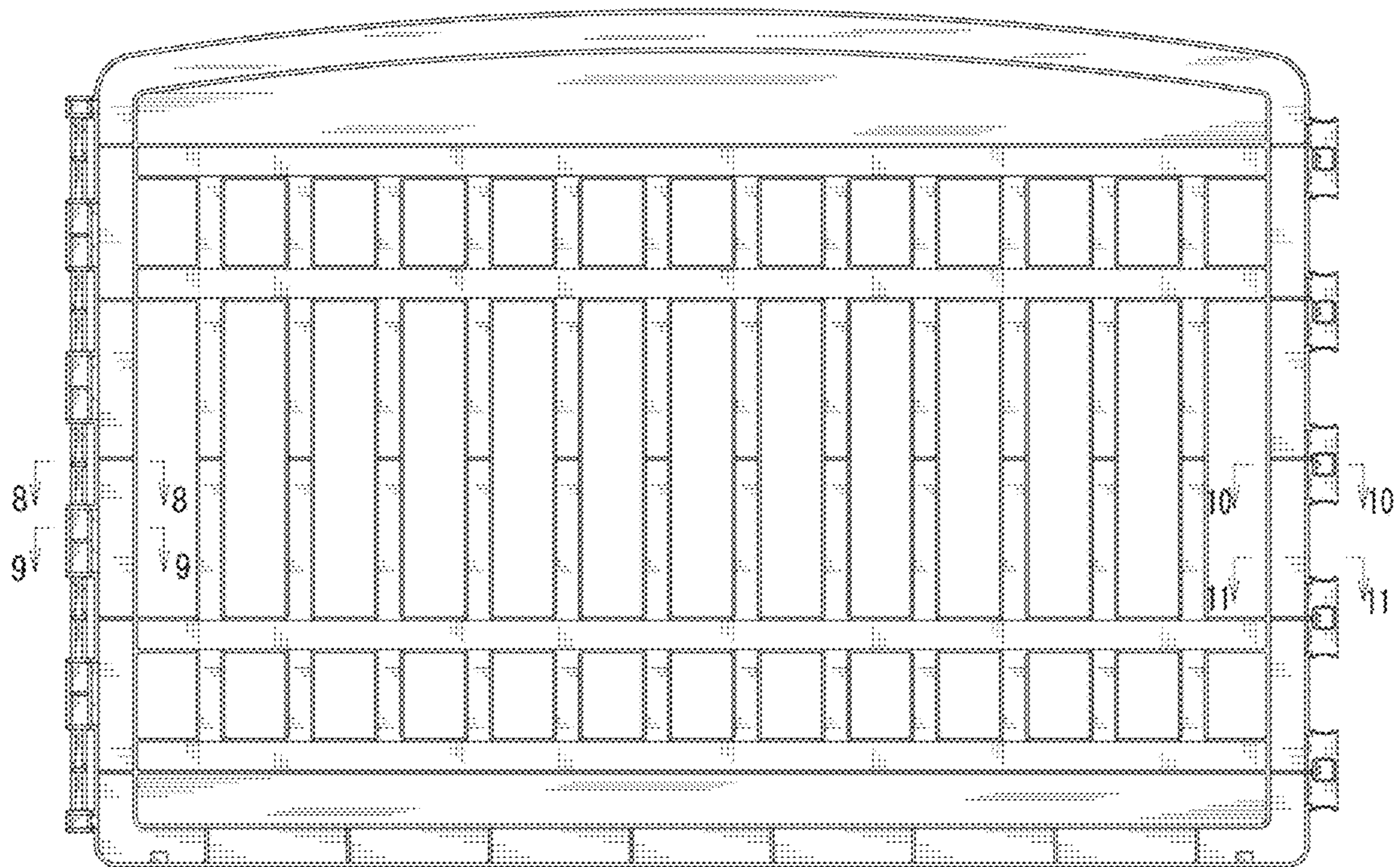


FIG. 4

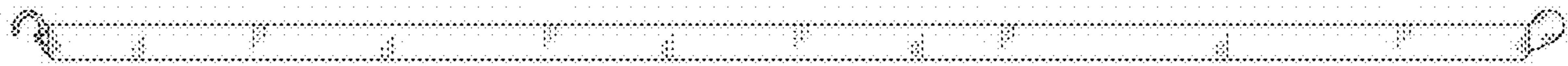


FIG. 5

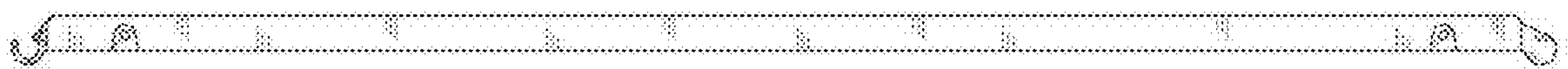


FIG. 6



FIG. 7



FIG. 8

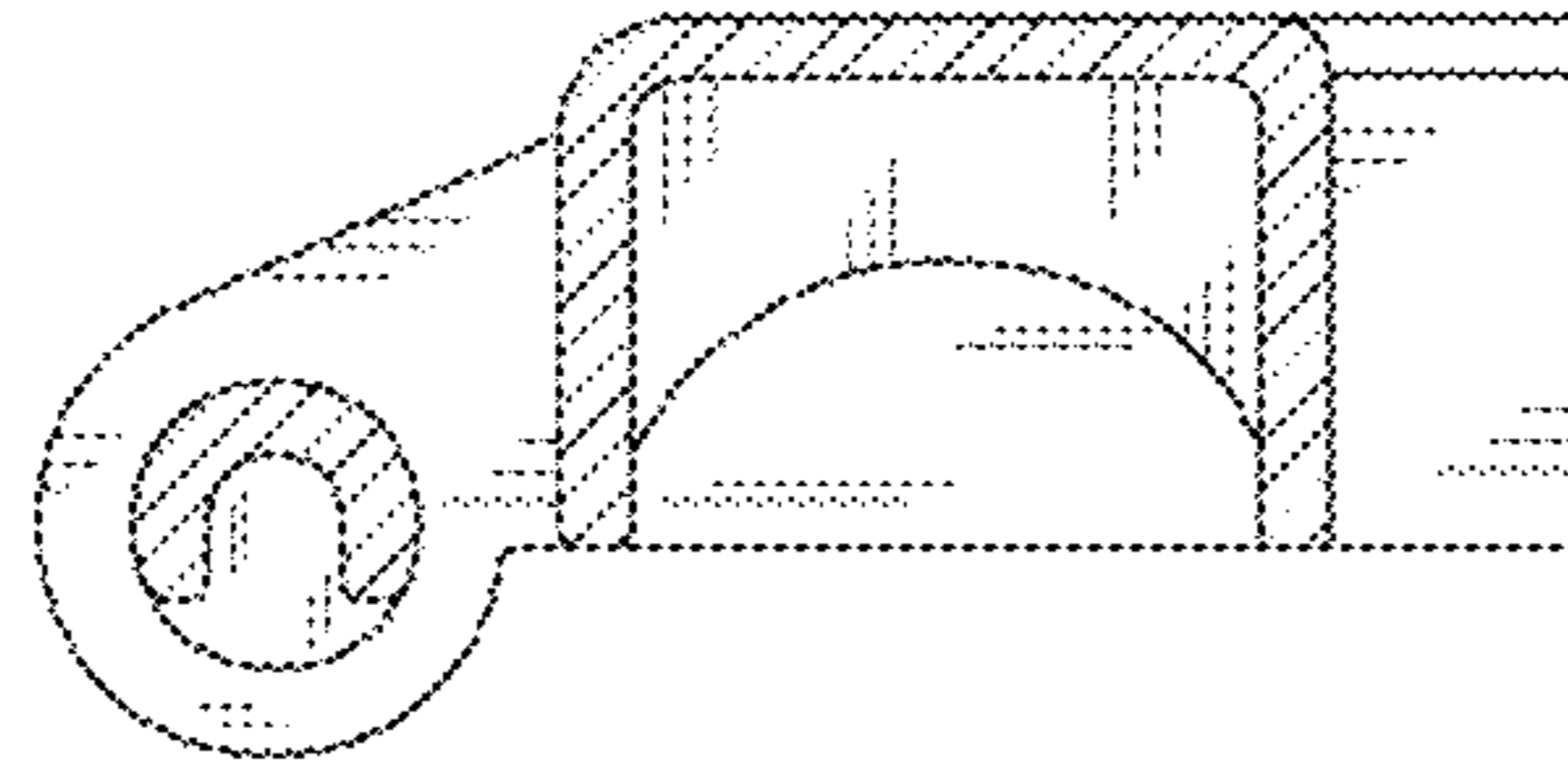


FIG. 9

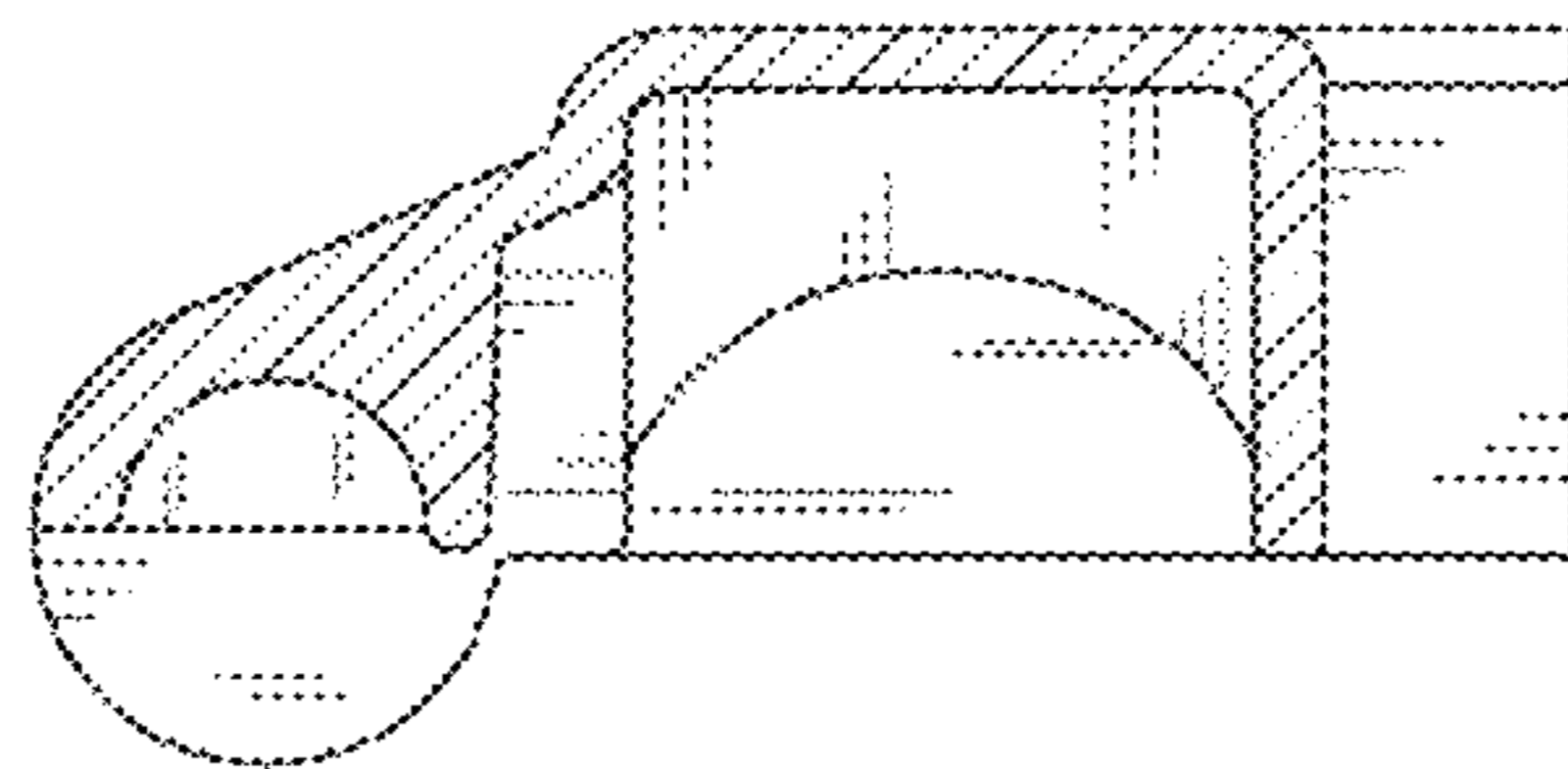


FIG. 10

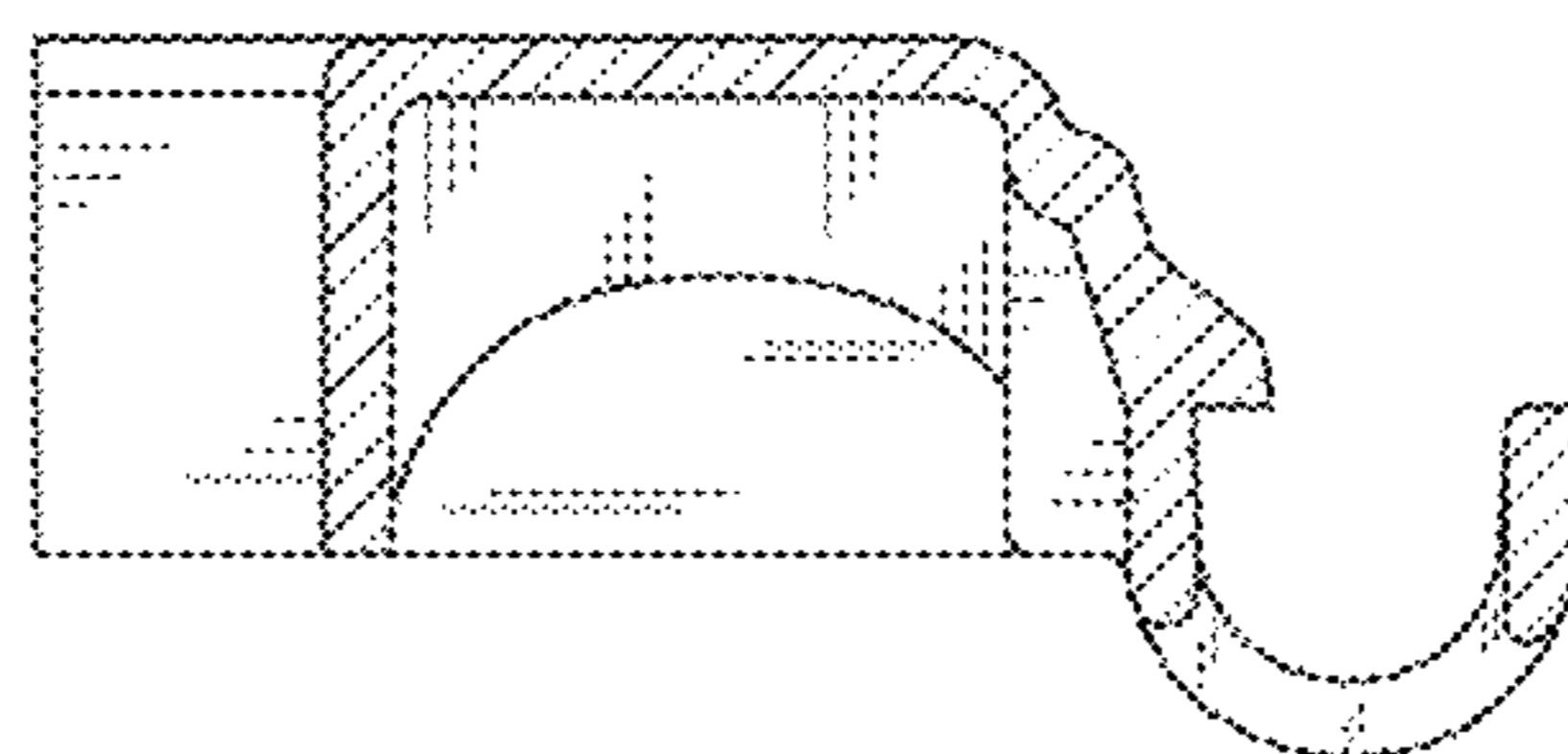


FIG. 11

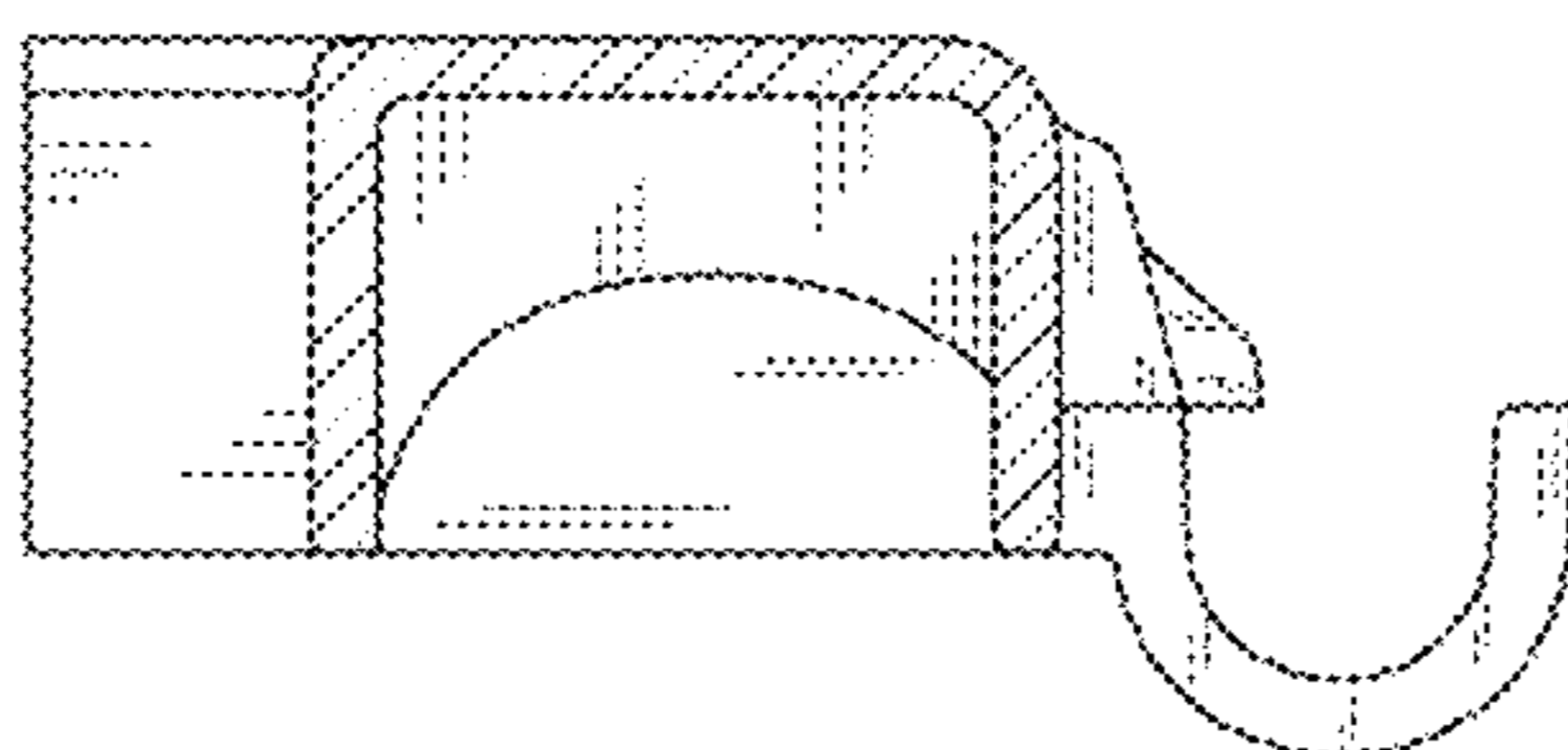


FIG. 12

