



US00D916386S

(12) **United States Design Patent**
Cronkhite

(10) **Patent No.:** **US D916,386 S**

(45) **Date of Patent:** **** Apr. 13, 2021**

(54) **PORTABLE KENNEL**

(71) Applicant: **Good Ideas, Inc.**, Erie, PA (US)

(72) Inventor: **Greg Cronkhite**, Draper, SD (US)

(73) Assignee: **Good Ideas, Inc.**, Erie, PA (US)

(**) Term: **15 Years**

(21) Appl. No.: **29/672,006**

(22) Filed: **Nov. 30, 2018**

(51) **LOC (13) Cl.** **30-02**

(52) **U.S. Cl.**
USPC **D30/108**

(58) **Field of Classification Search**
USPC D30/108-109, 114; D3/289, 301;
D34/19-21; 119/453, 482, 496-497
CPC . A01K 1/00; A01K 1/03; A01K 1/033; A01K
1/0245; A01K 29/00; A01K 31/002;
A01K 31/07; A01K 31/08; A01K 31/18
See application file for complete search history.

(56) **References Cited**

U.S. PATENT DOCUMENTS

D308,429 S *	6/1990	VanSkiver	D30/109
D312,333 S *	11/1990	Van Skiver	D30/109
D334,087 S *	3/1993	Goetz	119/496
5,253,612 A *	10/1993	Goetz	A01K 1/0245
				119/496
D443,957 S *	6/2001	Chambers	D30/109
6,427,631 B1 *	8/2002	Ross	A01K 1/0245
				119/453
D555,292 S *	11/2007	Harper	D30/108
D571,054 S *	6/2008	Donnelly	D30/108

D615,251 S *	5/2010	Scherbing	D30/109
D657,587 S *	4/2012	Coluuci	D6/671.1
D659,294 S *	5/2012	Veness	D30/109
D671,691 S *	11/2012	Neilan	D30/108
D717,005 S *	11/2014	Skaggs	D30/108
D760,447 S *	6/2016	Edmonds	D30/109
D762,332 S *	7/2016	Chance	D30/108
D768,941 S *	10/2016	Edmonds	D30/109
D827,211 S *	8/2018	Cronkhite	D30/119
D827,212 S *	8/2018	Cronkhite	D30/119
D833,085 S *	11/2018	Edmonds	D30/119
2005/0132973 A1 *	6/2005	Axelrod	A01K 1/0245
				119/496

* cited by examiner

Primary Examiner — Sandra Snapp

Assistant Examiner — Mehri Bajoul

(74) *Attorney, Agent, or Firm* — Jonathan M. D'Silva;
MMI Intellectual Property

(57) **CLAIM**

The ornamental design for a portable kennel, as shown and described.

DESCRIPTION

FIG. 1 is a perspective view of a portable kennel showing my new design;

FIG. 2 is a top view of the portable kennel;

FIG. 3 is a right side view of the portable kennel;

FIG. 4 is a left side view of the portable kennel;

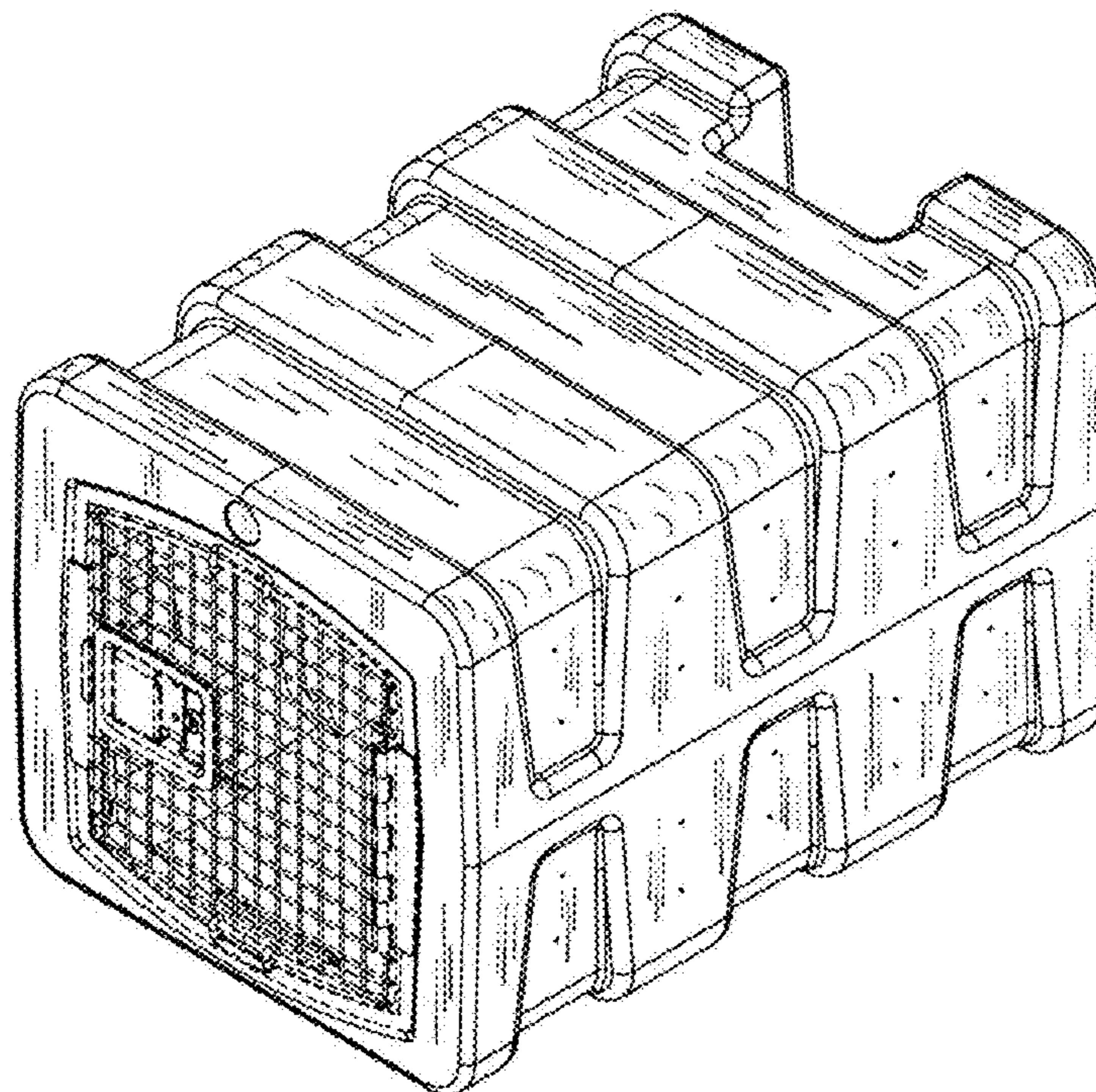
FIG. 5 is a bottom view of the portable kennel;

FIG. 6 is a front view of the portable kennel; and,

FIG. 7 is a back view of the portable kennel.

The broken lines shown in the drawings depict portions of the portable kennel that form no part of the claimed design.

1 Claim, 4 Drawing Sheets



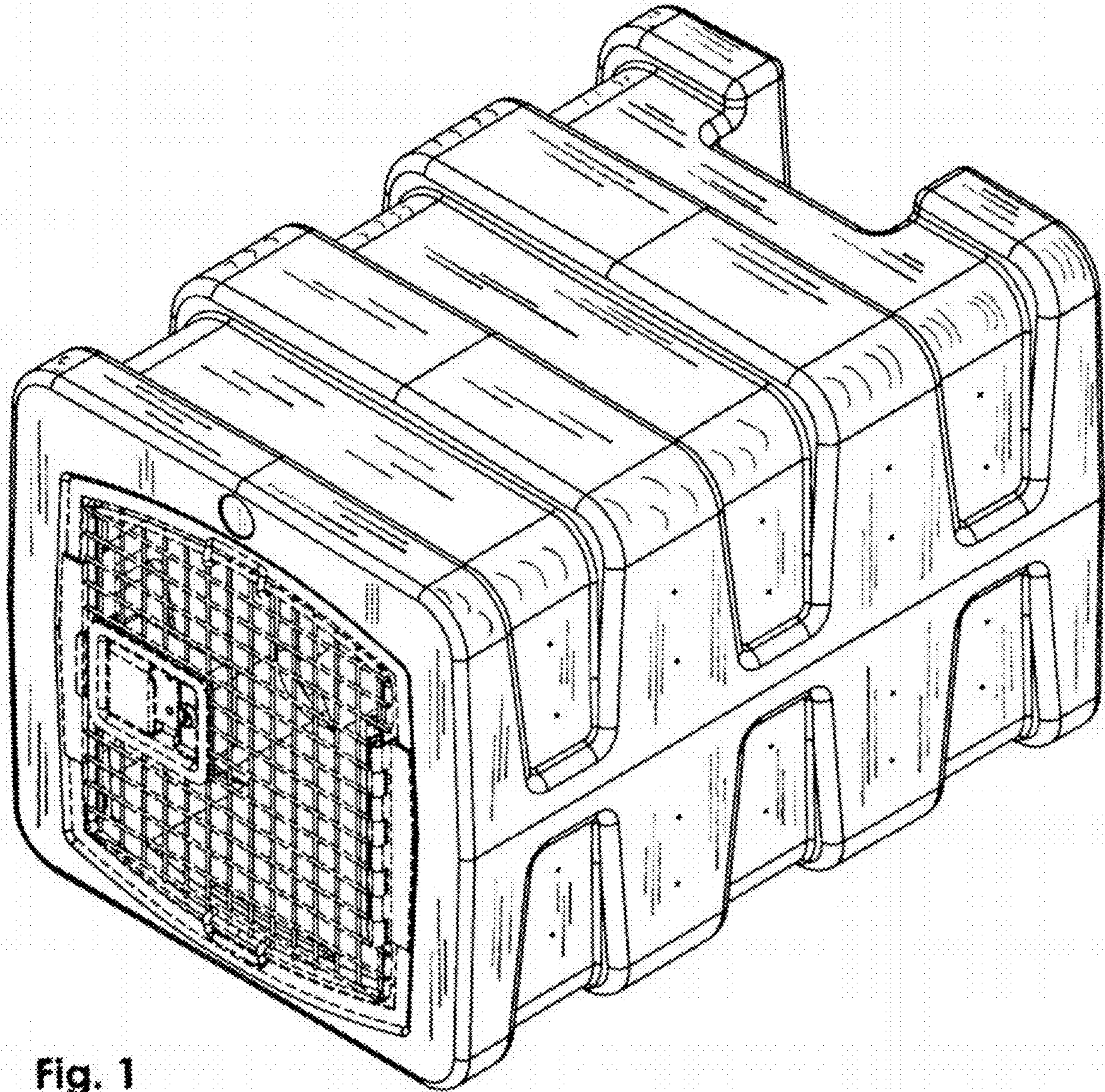


Fig. 1

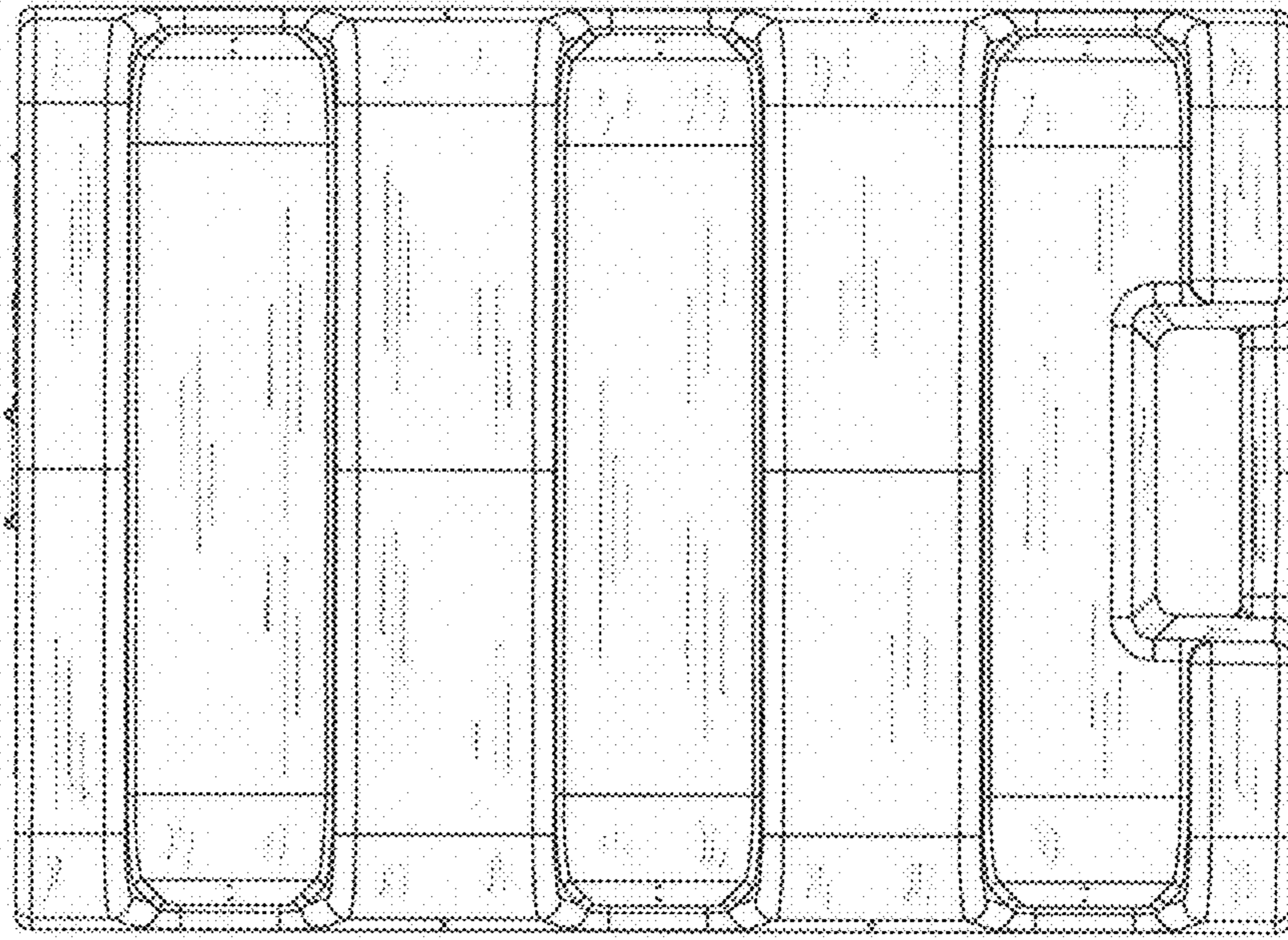


Fig. 2

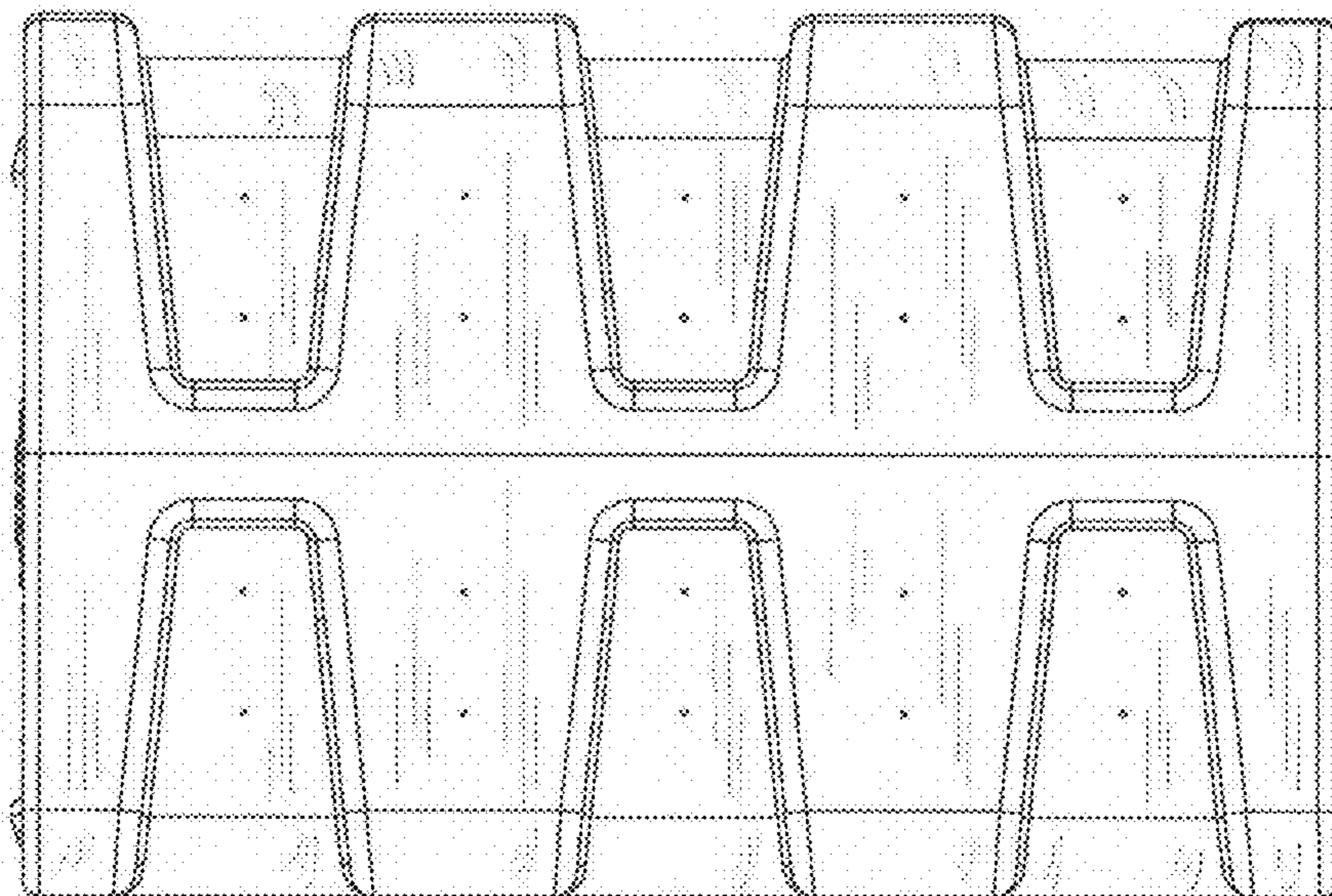


Fig. 3

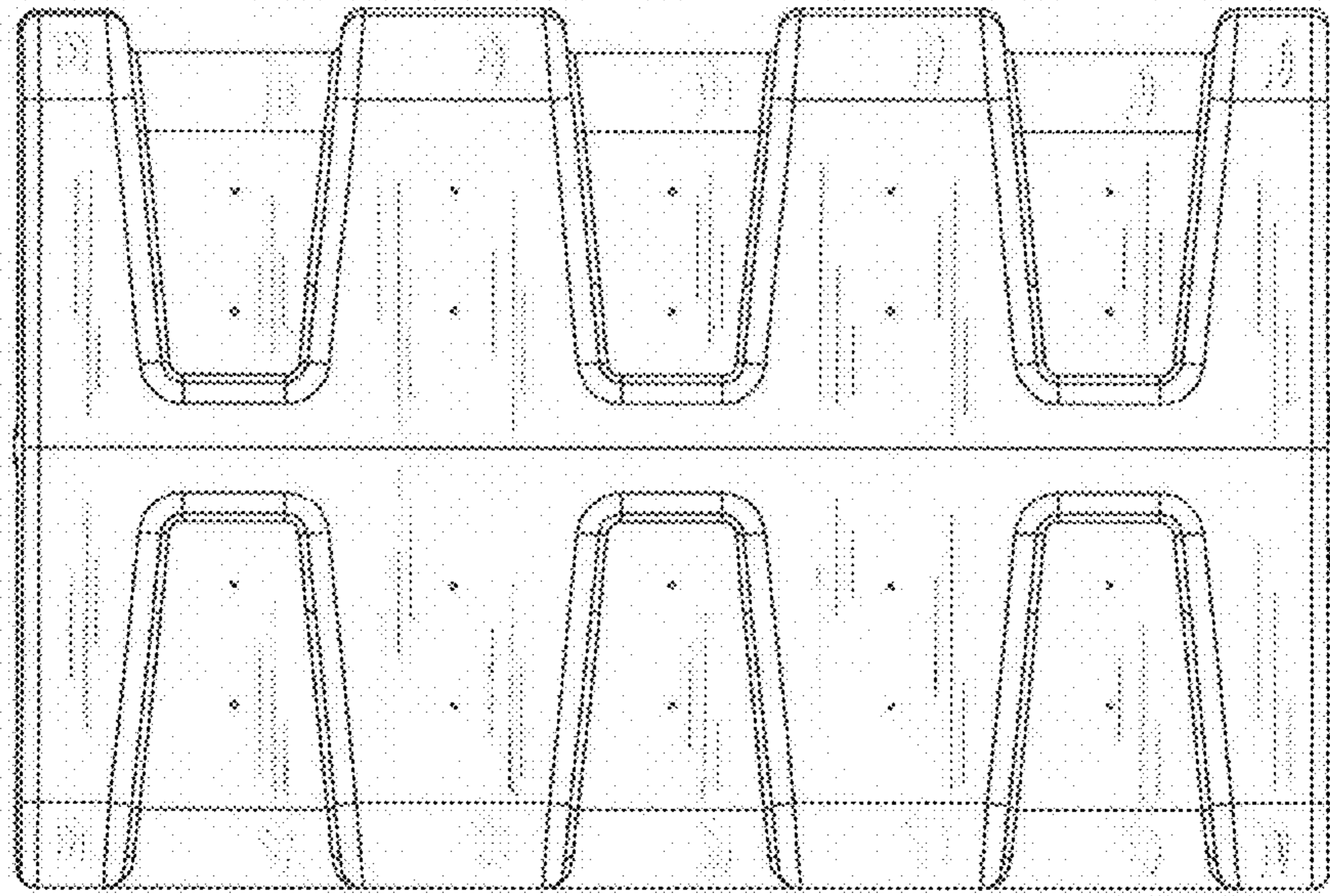


Fig. 4

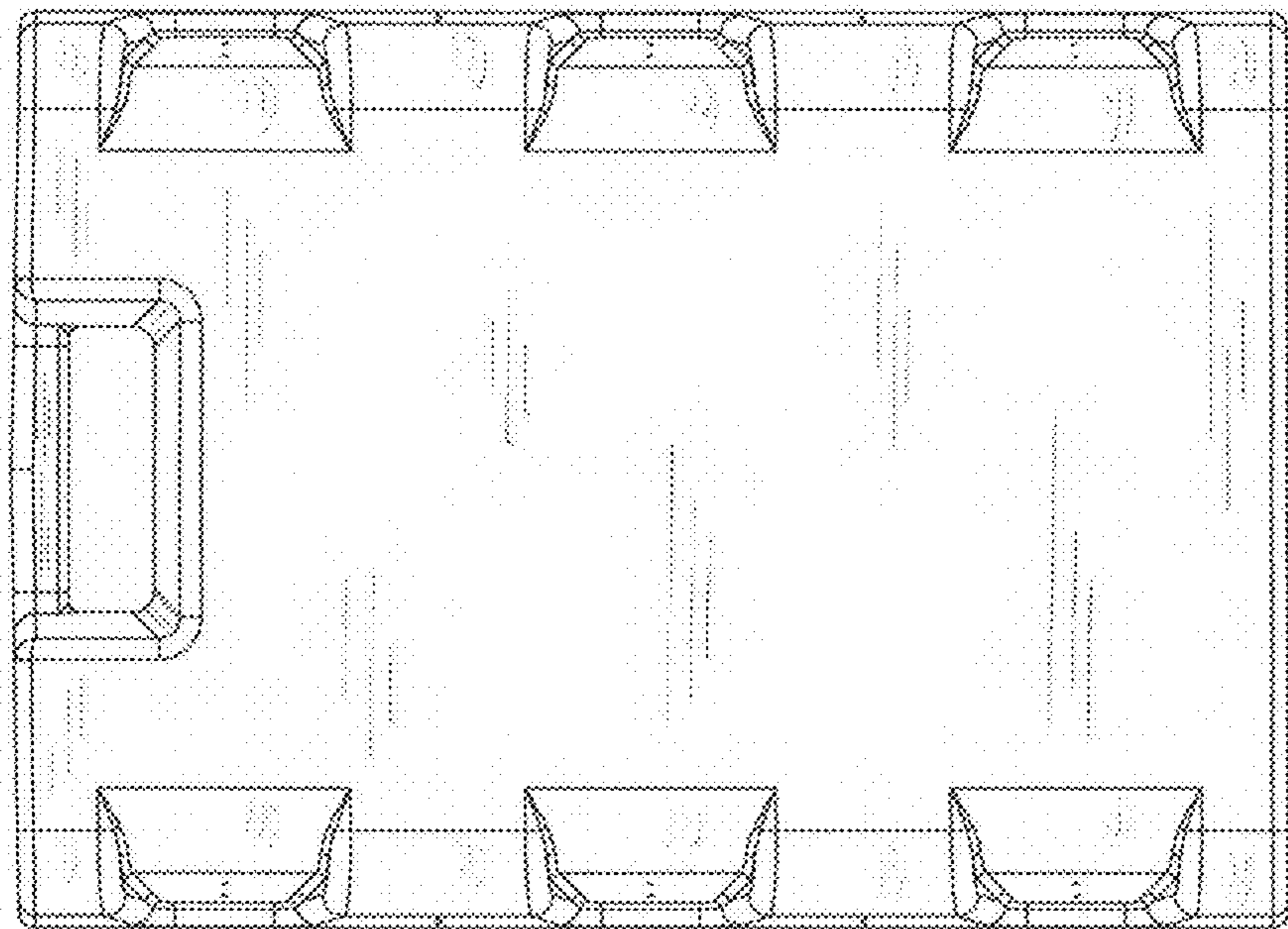


Fig. 5

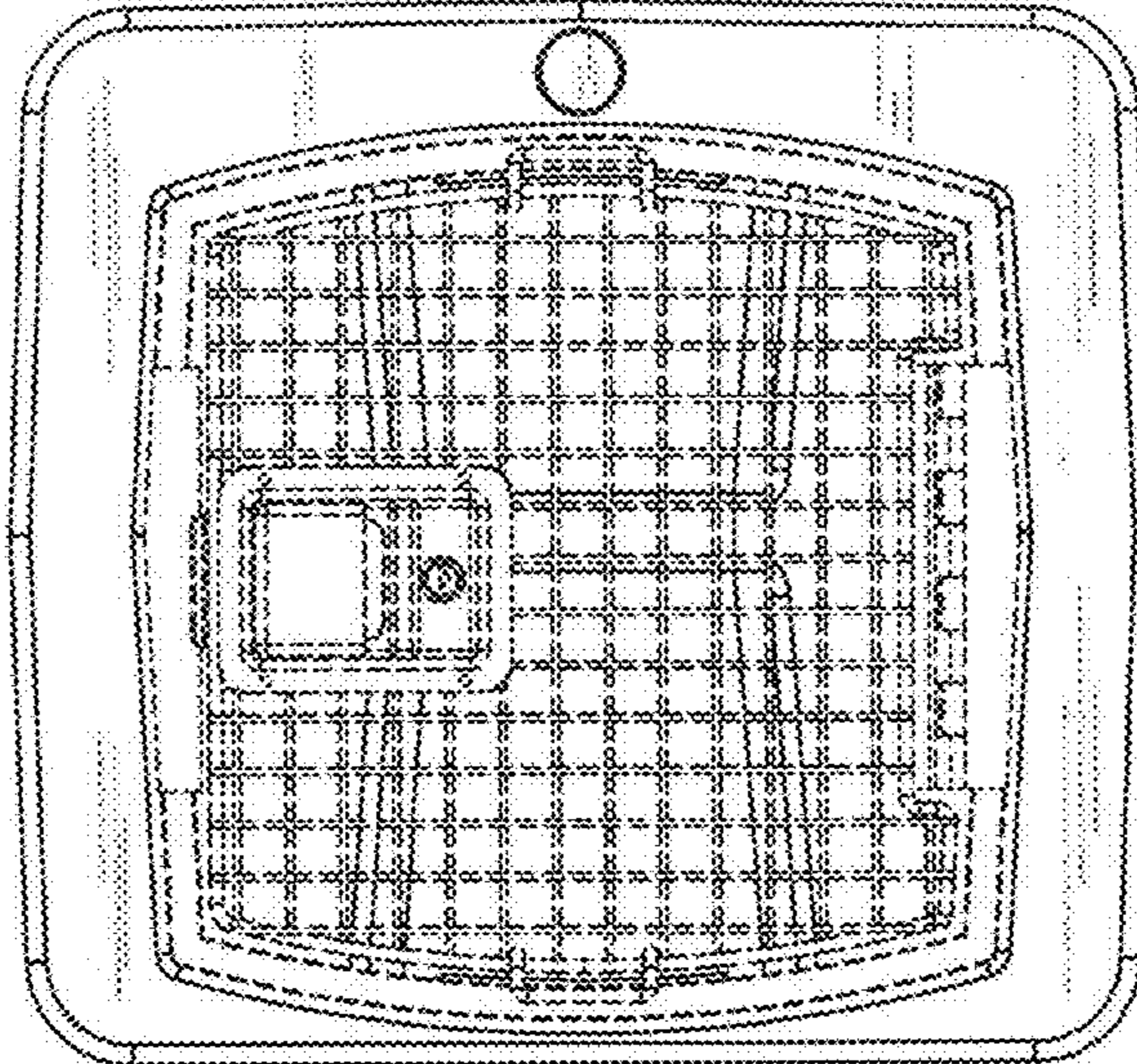


Fig. 6

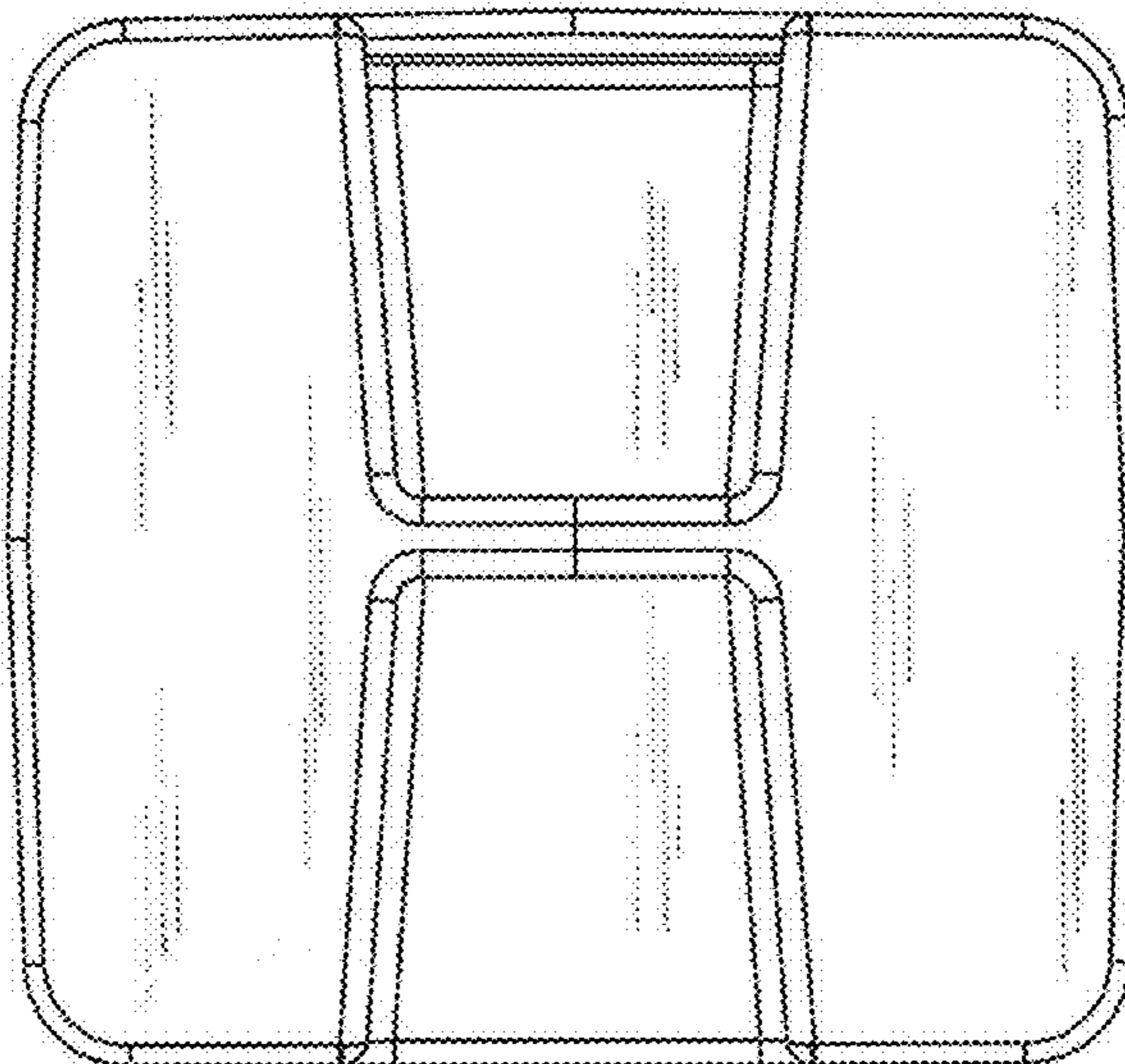


Fig. 7