



US00D916382S

(12) **United States Design Patent**  
**Turkbas**

(10) **Patent No.:** **US D916,382 S**

(45) **Date of Patent:** **\*\* Apr. 13, 2021**

- (54) **MOUTHGUARD**
- (71) Applicant: **Shock Doctor, Inc.**, Fountain Valley, CA (US)
- (72) Inventor: **Jay N. Turkbas**, Huntington Beach, CA (US)
- (73) Assignee: **Shock Doctor, Inc.**, Fountain Valley, CA (US)
- (\*\*) Term: **15 Years**
- (21) Appl. No.: **29/697,336**
- (22) Filed: **Jul. 8, 2019**

- 2,521,039 A 9/1950 Carpenter
- 2,827,899 A 3/1958 Altieri
- 2,966,908 A 1/1961 Cathcart et al.
- 3,089,487 A 5/1963 Enicks et al.
- 3,103,217 A 9/1963 Butler et al.
- 3,207,153 A 9/1965 Goldstein

(Continued)

**FOREIGN PATENT DOCUMENTS**

- AU 2013205854 A1 3/2014
- GB 2491183 A 11/2012
- WO 2014093850 A1 6/2014

**OTHER PUBLICATIONS**

European Search Report issued in EP Application No. 14757382.6 dated Nov. 2, 2016, 9 pages.

(Continued)

**Related U.S. Application Data**

- (60) Continuation of application No. 29/660,487, filed on Aug. 21, 2018, now Pat. No. Des. 853,655, which is a division of application No. 29/579,049, filed on Sep. 27, 2016, now Pat. No. Des. 830,001.
- (51) **LOC (13) Cl.** ..... **29-02**
- (52) **U.S. Cl.**  
USPC ..... **D29/108**
- (58) **Field of Classification Search**  
USPC ..... D24/110.5, 181, 176, 180, 194; D29/108  
CPC ..... A63B 71/085; A63B 2071/088; A63B 2071/086; A63B 23/032; A63B 5/682; A61C 7/08; A61C 19/066; A61C 9/00; A61M 16/0488  
See application file for complete search history.

*Primary Examiner* — Michelle E. Wilson

*Assistant Examiner* — Tracey J Bell

(74) *Attorney, Agent, or Firm* — Faegre Drinker Biddle & Reath LLP

(57) **CLAIM**

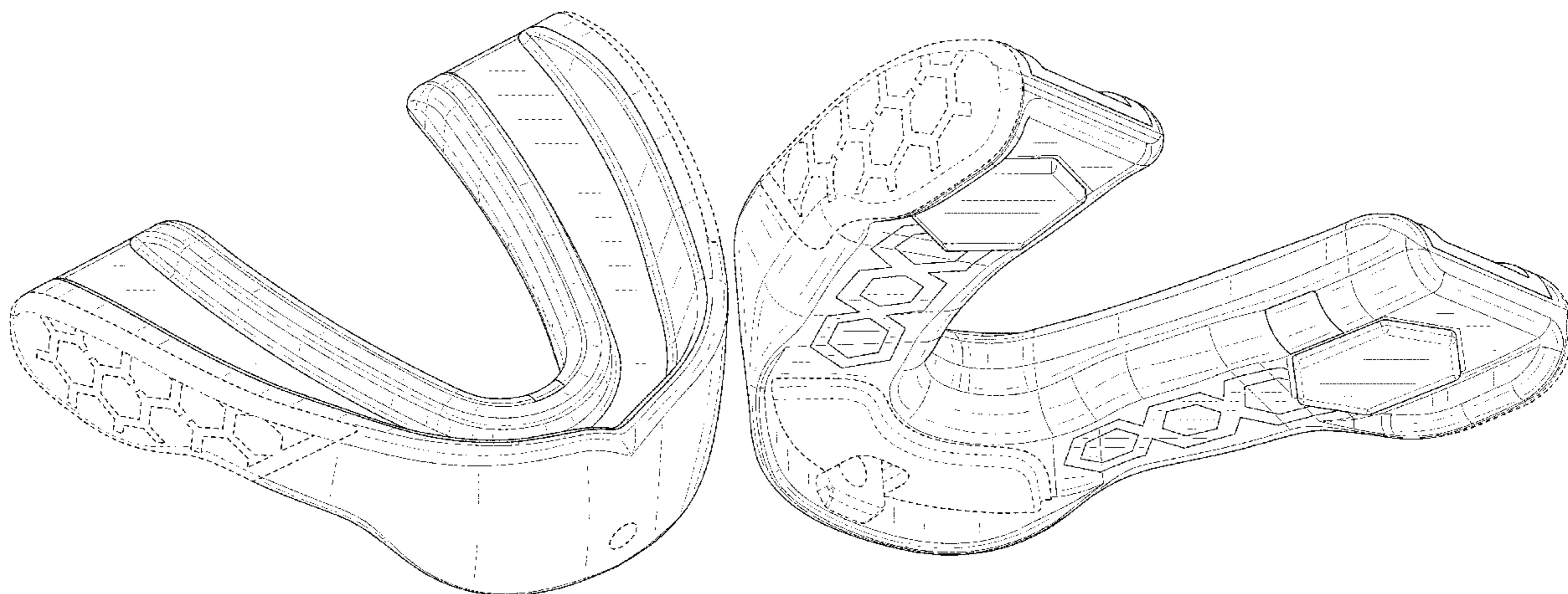
The ornamental design for a mouthguard, as shown and described.

**DESCRIPTION**

FIG. 1 is a front perspective view of a mouthguard showing my new design;  
 FIG. 2 is a rear perspective view thereof;  
 FIG. 3 is a front view thereof;  
 FIG. 4 is a back view thereof;  
 FIG. 5 is a left side view thereof;  
 FIG. 6 is a right side view thereof;  
 FIG. 7 is a top view thereof; and,  
 FIG. 8 is a bottom view thereof.  
 Features shown in dashed lines depict portions of the mouthguard that form no part of the claimed design.

**1 Claim, 8 Drawing Sheets**

- (56) **References Cited**  
**U.S. PATENT DOCUMENTS**
- 1,146,264 A 7/1915 Kelly
- 1,505,642 A 8/1924 Frank
- 1,569,947 A 1/1926 Buttress
- 1,720,439 A 7/1929 Richardson
- 2,312,171 A 2/1943 Jochum
- 2,444,294 A 6/1948 Jones et al.





(56)

References Cited

U.S. PATENT DOCUMENTS

2011/0114100	A1	5/2011	Alvarez et al.	
2011/0186055	A1	8/2011	Makkar et al.	
2011/0214478	A1	9/2011	Hennig et al.	
2011/0230587	A1	9/2011	MacInnis et al.	
2012/0017922	A1	1/2012	Hirshberg	
2012/0085354	A1	4/2012	Polk, III	
2012/0090625	A1	4/2012	Evans et al.	
2012/0111343	A1	5/2012	Turkbas et al.	
2012/0174932	A1	7/2012	Wilson	
2013/0052613	A1	2/2013	Chetiar et al.	
2013/0068237	A1	3/2013	Herman et al.	
2013/0074850	A1	3/2013	Lenart	
2013/0087157	A1	4/2013	Hawkins	
2013/0104913	A1	5/2013	Evans et al.	
2014/0090655	A1	4/2014	Robinson	
2014/0093836	A1	4/2014	Wolpo	
2014/0166024	A1	6/2014	Davidson et al.	
2014/0238416	A1	8/2014	Lin	
2014/0238417	A1	8/2014	Turkbas	
2014/0238418	A1	8/2014	Turkbas	
2014/0261465	A1	9/2014	Turkbas	
2014/0345626	A1	11/2014	Brett et al.	
2014/0352704	A1	12/2014	Farrell	
2016/0001160	A1	1/2016	Engel	
2017/0120135	A1	5/2017	Engel et al.	
2017/0172717	A1	6/2017	Deng et al.	
2017/0312613	A1	11/2017	Wright	
2018/0014912	A1	1/2018	Radmand	
2019/0282886	A1*	9/2019	Turkbas .....	A63B 71/085
2020/0323678	A1*	10/2020	Fallon .....	A61F 5/566

OTHER PUBLICATIONS

Extended European Search Report issued in EP application No. 14756802.6, dated Oct. 31, 2016, 10 pages.  
 Gel Max Mouthguard, earliest comment Aug. 26, 2015, [online], [site visited Apr. 13, 2018]. Retrieved from url:https://www.shockdoctor.com/gel-max-mouthguard (Year: 2015).  
 Gel Max Power Mouthguard, earliest comment Oct. 9, 2017, [online], [site visited Apr. 13, 2018]. Retrieved from url:https://www.shockdoctor.com/gel-max-power-mouthguard (Year: 2017).  
 Honeycomb Tower, Suzane Alward, Compulsive Art Tendencies Revealed, Mar. 2, 2014, [online], [site visited Apr. 16, 2018].

Retrieved from url:https://suzannealward.wordpress.com/2014/03/02/honeycomb-tower/ (Year: 2014).  
 Honeycomb wallpaper, no date available, [online], [site visited Apr. 13, 2018]. Retrieved from url:http://eskipaper.com/honeycomb-wallpaper-3.html#gal\_post\_73869\_honeycomb-wallpaper-3.jpg (Year: 2018).  
 International Search Report and Written Opinion issued in PCT/US2014/018755, dated May 22, 2014, 8 pages.  
 International Search Report and Written Opinion issued in PCT/US2014/018756, dated Jun. 3, 2014, 11 pages.  
 International Search Report and Written Opinion issued in PCT/US2016/054693, dated Jul. 24, 2017, 17 pages.  
 PCT Invitation to Pay Additional Fees issued in PCT/US2016/054693, dated May 23, 2017, 14 pages.  
 Shock Doctor Gel Max Mouthguard, www.shockdoctor.com/gel-max-mouthguard, accessed Jan. 24, 2017, at least available on Apr. 10, 2016.  
 Shock Doctor Max AirFlow Football Mouthguard (2016 Version), www.shockdoctor.com/max-airflow-mouthguard-2016, accessed May 9, 2018, at least available in Apr. 2016.  
 Shock Doctor SuperFit Mouthguard, www.shockdoctor.com/superfit-mouthguard, accessed Jan. 24, 2017, at least available on Apr. 10, 2016.  
 Shock Doctor Ultra Double Braces Mouthguard, www.shockdoctor.com/ultra-double-braces-mouthguard, accessed Jan. 24, 2017, at least available on Apr. 10, 2016.  
 Shock Doctor Ultra2 STC Mouthguard, www.shockdoctor.com/ultra2-stc-mouthguard, accessed Jan. 24, 2017, at least available on Apr. 10, 2016.  
 SuperFit Basketball Mouthguard, earliest comment Jul. 17, 2017, [online], [site visited Apr. 13, 2018]. Retrieved from url: https://www.shockdoctor.com/superfit-basketball-mouthguard-9200 (Year 2017).  
 U.S. Appl. No. 29/610,727 entitled Mouthguard, filed Jul. 14, 2017.  
 U.S. Appl. No. 29/610,733 entitled Mouthguard, filed Jul. 14, 2017.  
 U.S. Appl. No. 29/629,798 entitled Mouthguard, filed Dec. 15, 2017.  
 U.S. Appl. No. 29/629,806 entitled Mouthguard, filed Dec. 15, 2017.  
 U.S. Appl. No. 29/660,487 entitled Mouthguard, filed Aug. 21, 2018.  
 U.S. Appl. No. 29/579,049 entitled Mouthguard, filed Sep. 27, 2016.

\* cited by examiner

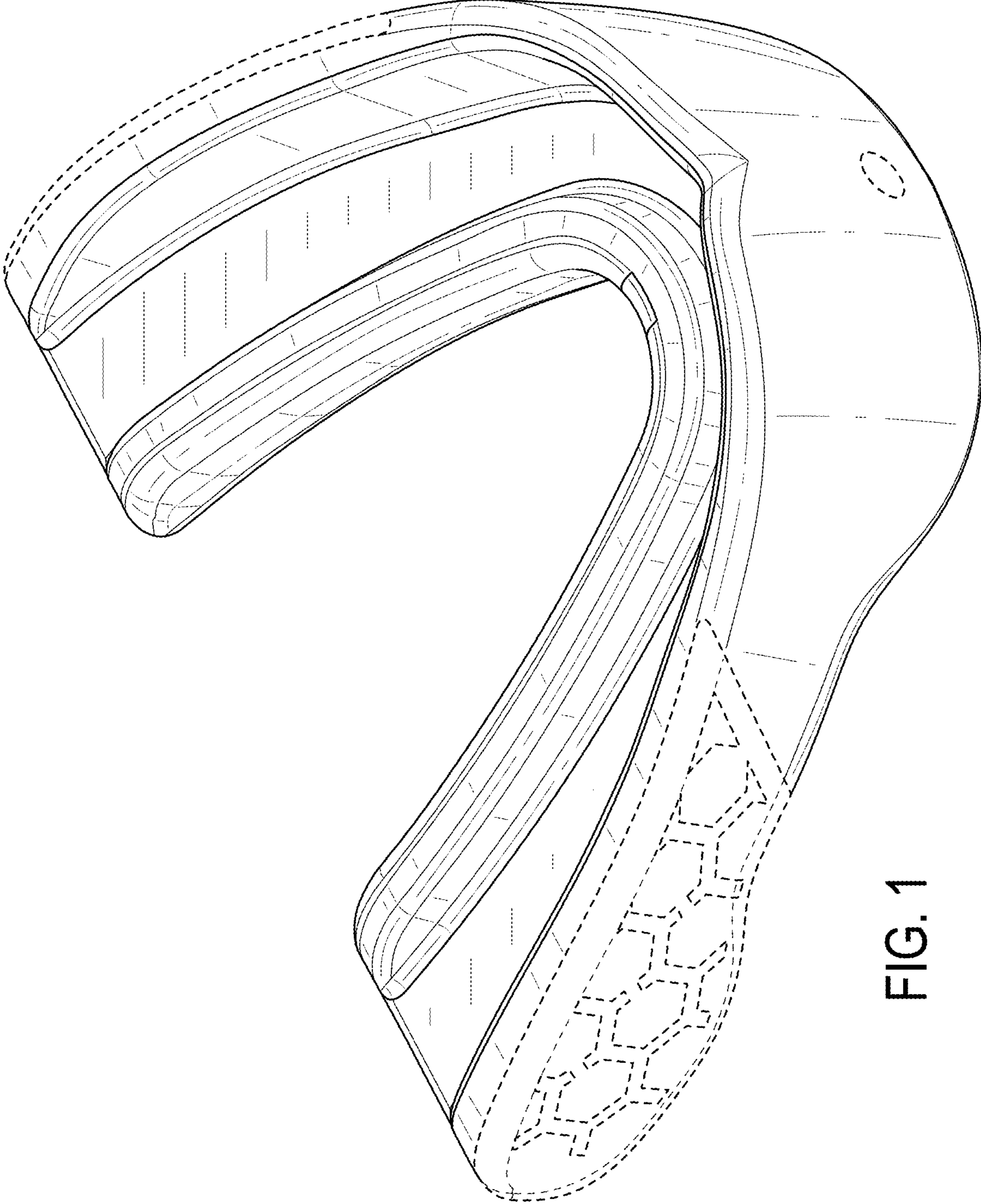


FIG. 1

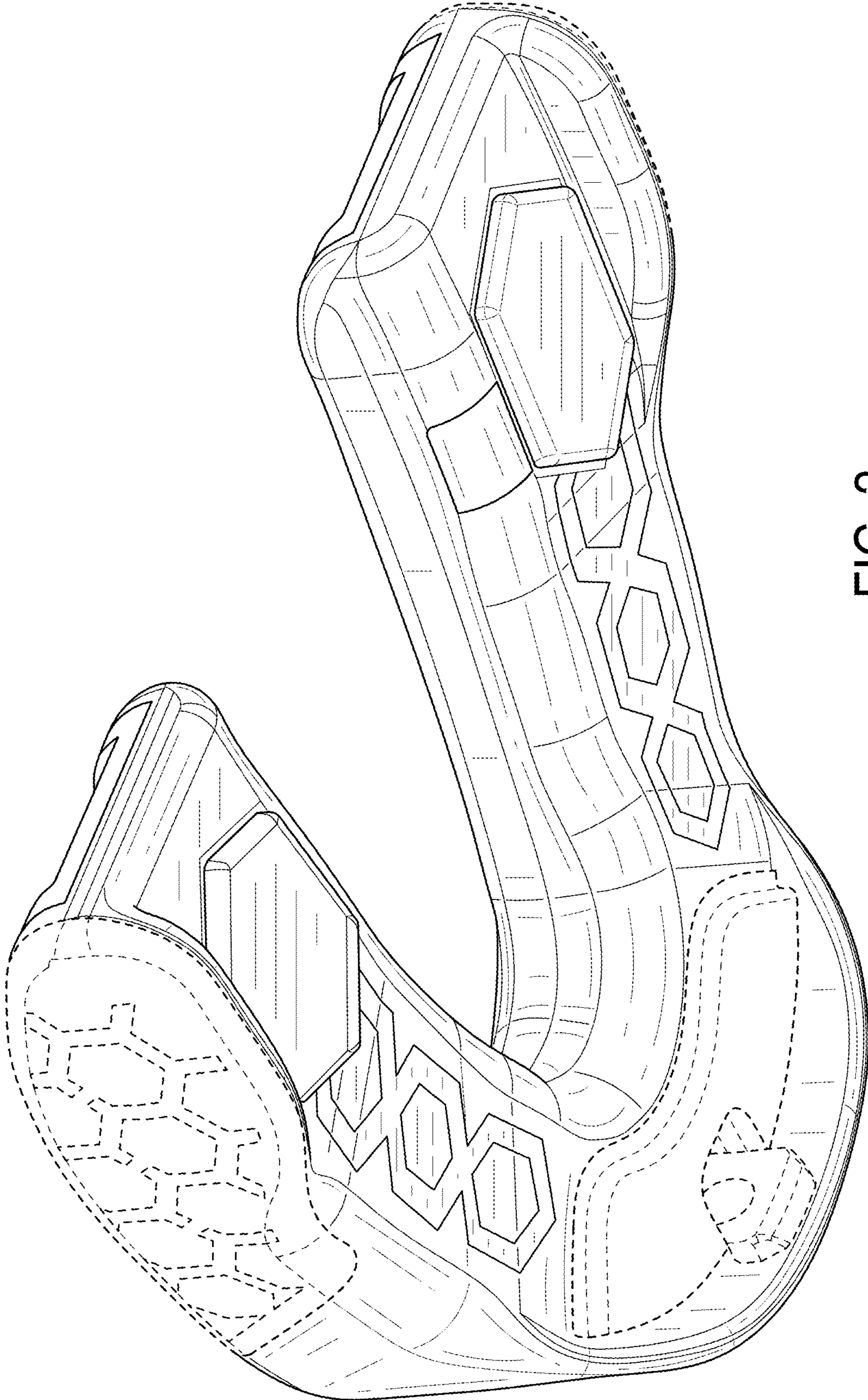


FIG. 2

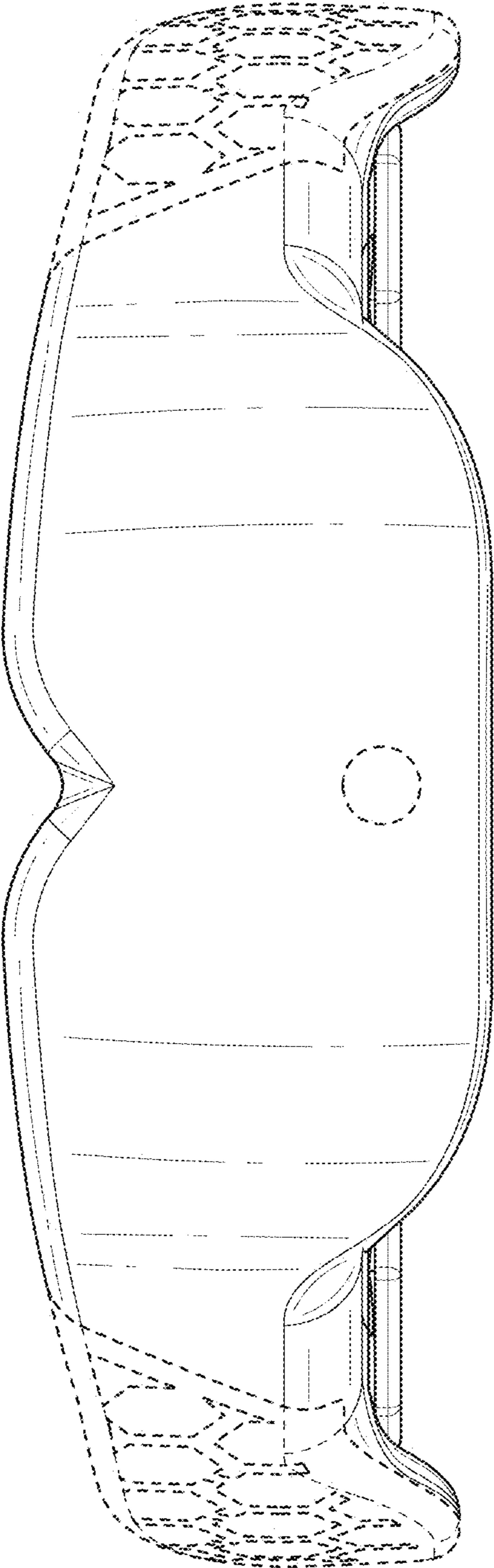


FIG. 3

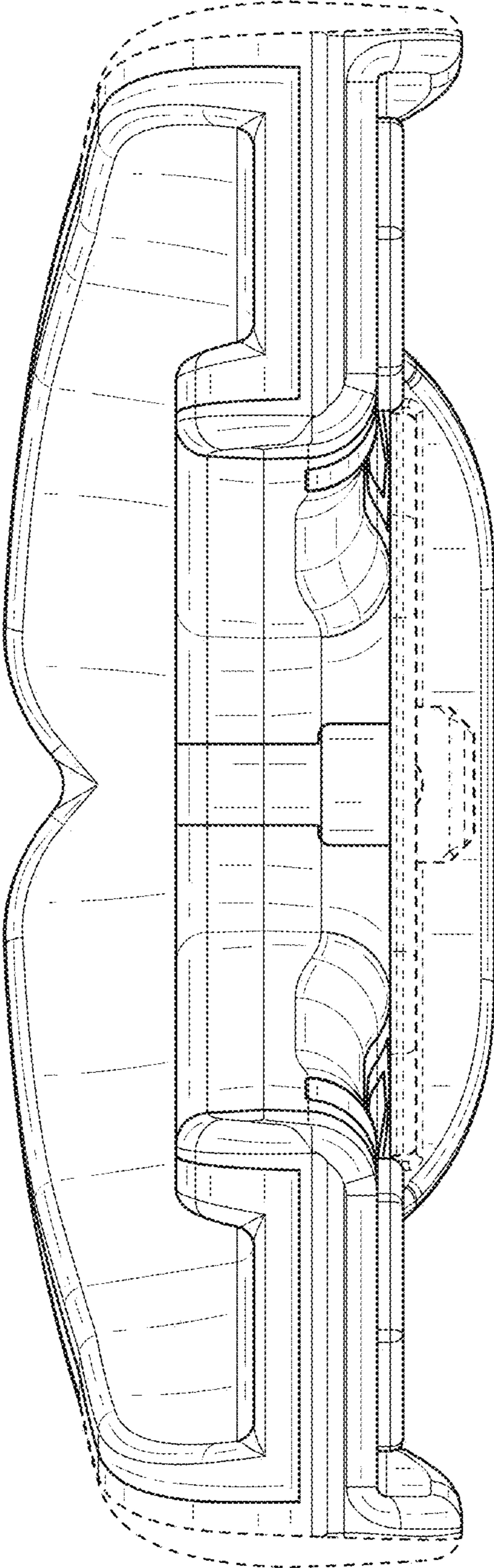


FIG. 4

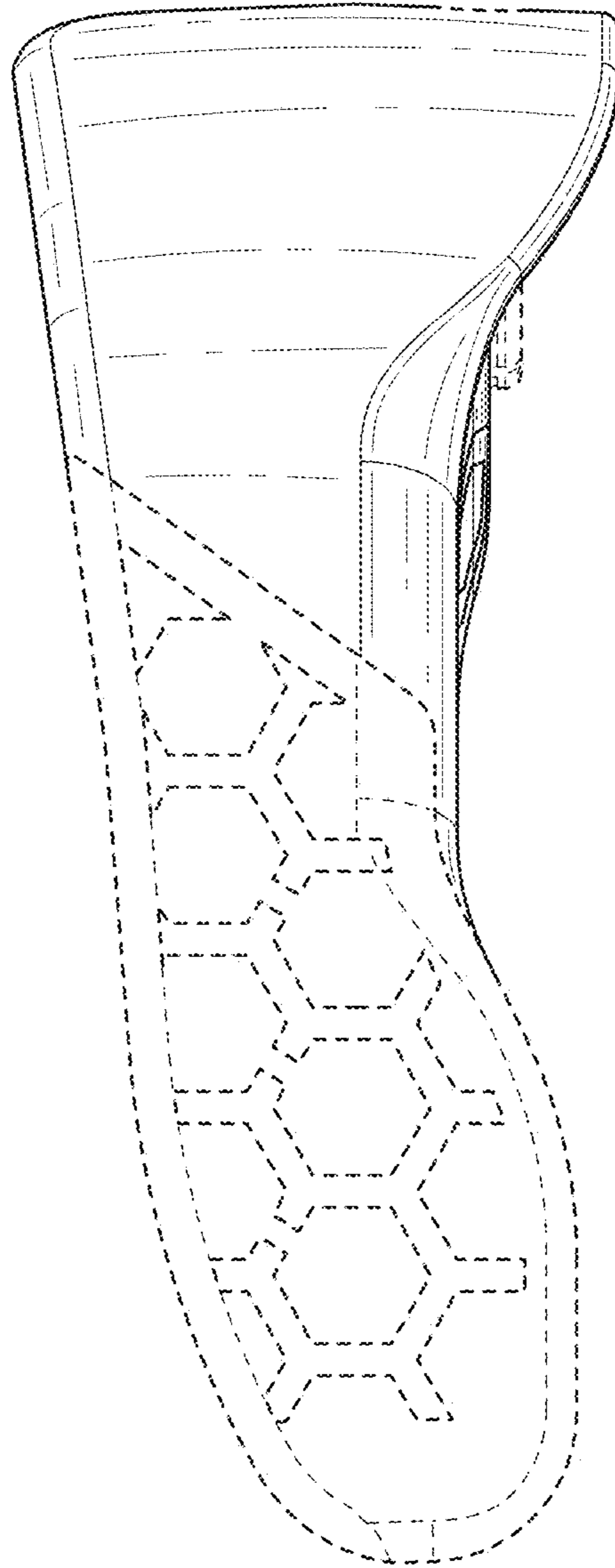


FIG. 5



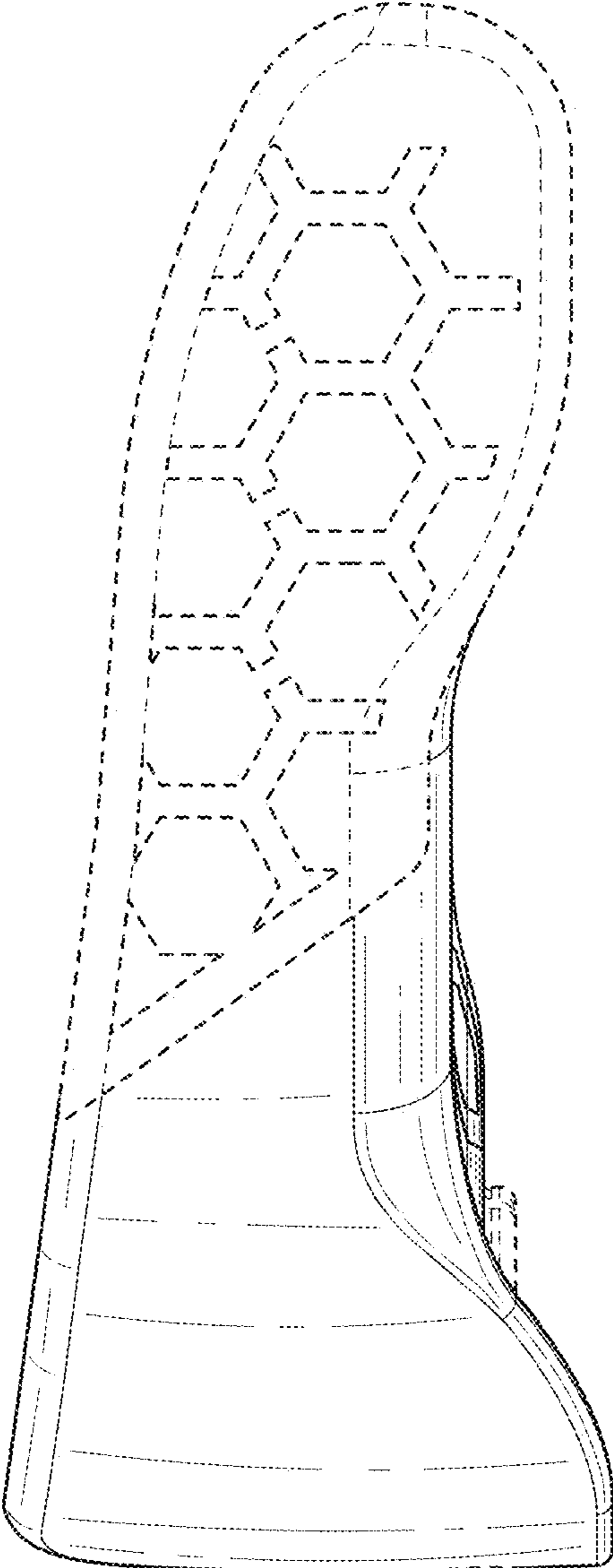


FIG. 6

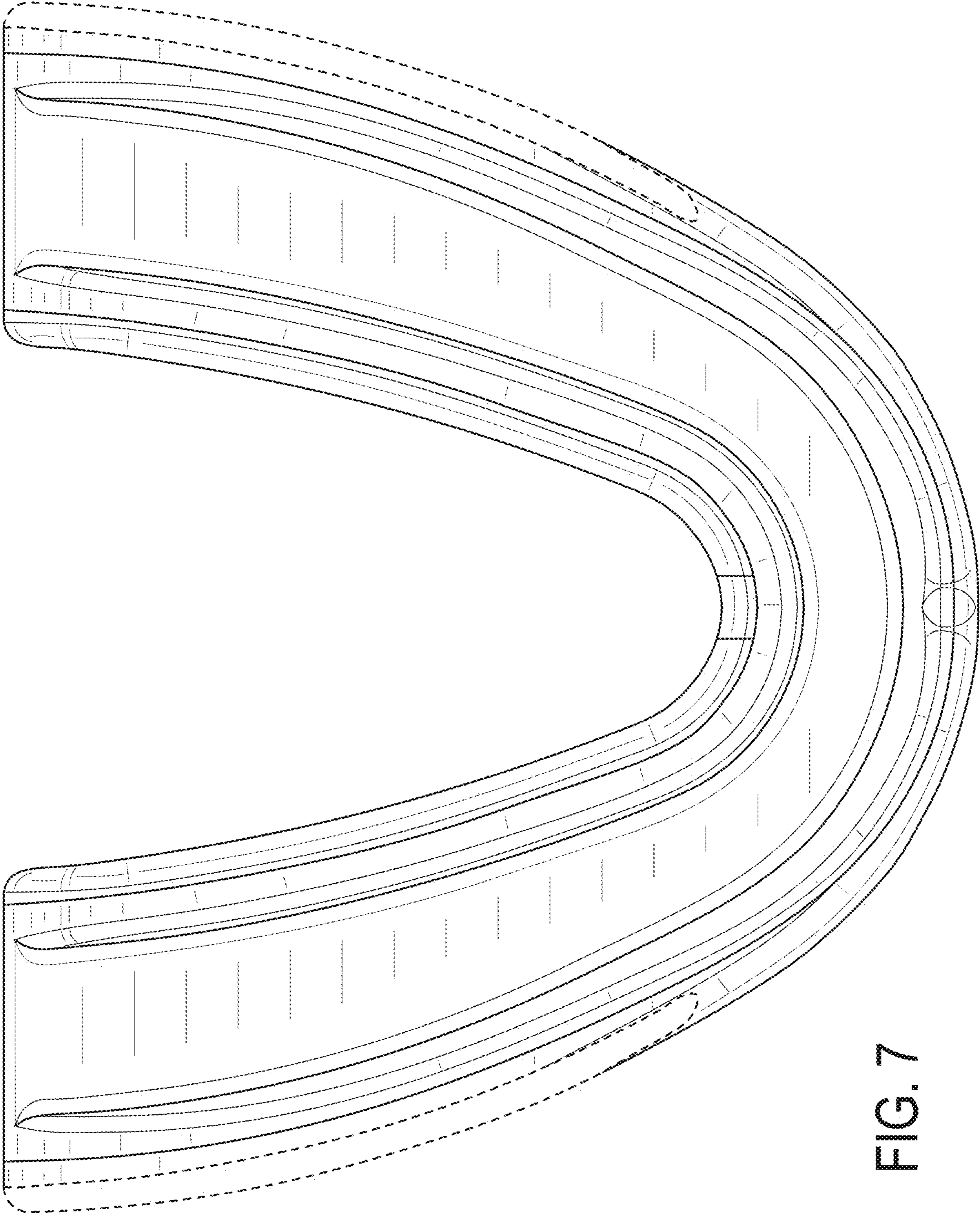


FIG. 7

FIG. 8

