



US00D916379S

(12) **United States Design Patent** (10) **Patent No.:** **US D916,379 S**  
**Jeon** (45) **Date of Patent:** **\*\* Apr. 13, 2021**

(54) **HELMET**

(71) Applicant: **HJC CORP.**, Yongin-si (KR)

(72) Inventor: **Haeng Bock Jeon**, Seongnam-si (KR)

(73) Assignee: **HJC CORP.**, Yongin-si (KR)

(\*\*) Term: **15 Years**

(21) Appl. No.: **29/705,105**

(22) Filed: **Sep. 10, 2019**

(30) **Foreign Application Priority Data**

Jul. 30, 2019 (EM) ..... 006654794-0002

(51) **LOC (13) Cl.** ..... **02-03**

(52) **U.S. Cl.**  
USPC ..... **D29/107**

(58) **Field of Classification Search**  
USPC ..... D29/102, 103, 104, 105, 106, 107, 108,  
D29/109, 110, 112, 122  
CPC .. A42B 3/00; A42B 3/04; A42B 3/066; A42B  
3/10; A42B 3/166; A42B 3/22; A42B  
3/221; A42B 3/225; A42B 3/226; A42B  
3/227; A42B 3/228; A42B 3/28; A42B  
3/285

See application file for complete search history.

(56) **References Cited**

**U.S. PATENT DOCUMENTS**

- D601,307 S \* 9/2009 Izquierdo Mediavilla .. D29/107
- D673,734 S \* 1/2013 Hwang ..... D29/107
- D696,464 S \* 12/2013 Hwang ..... D29/107
- D739,609 S \* 9/2015 Kimura ..... D29/107
- D751,767 S \* 3/2016 Shida ..... D29/107

(Continued)

*Primary Examiner* — Jasmine Mlinarcik

(74) *Attorney, Agent, or Firm* — NSIP Law

(57) **CLAIM**

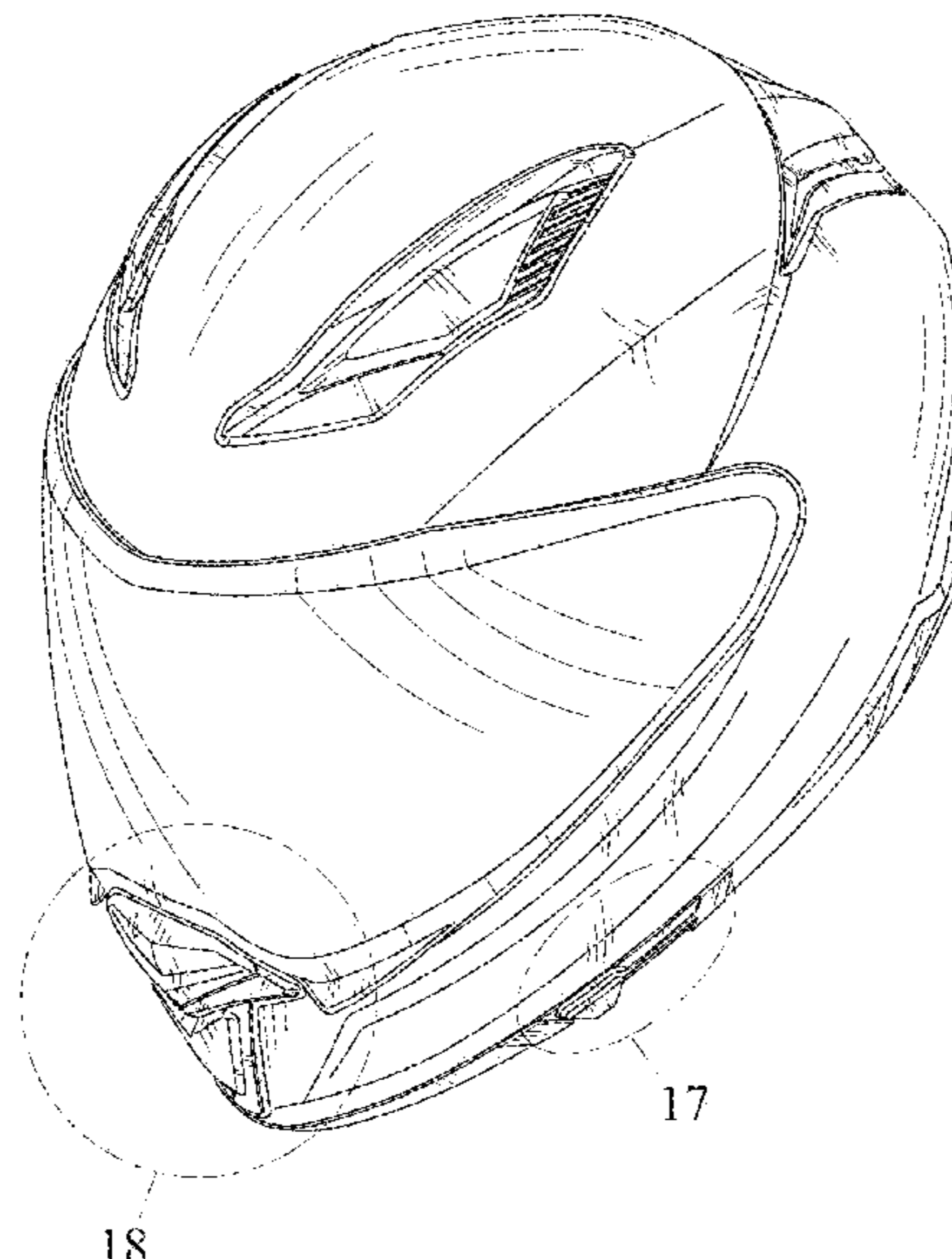
I claim the ornamental design for a helmet, as shown and described.

**DESCRIPTION**

FIG. 1 is a front view of a helmet showing my new design;  
 FIG. 2 is a rear view thereof;  
 FIG. 3 is a left-side view thereof;  
 FIG. 4 is a right-side view thereof;  
 FIG. 5 is a top view thereof;  
 FIG. 6 is a bottom view thereof;  
 FIG. 7 is a front perspective view thereof;  
 FIG. 8 is an enlargement of the encircled portion 8 in FIG. 1;  
 FIG. 9 is an enlargement of the encircled portion 9 in FIG. 1;  
 FIG. 10 is an enlargement of the encircled portion 10 in FIG. 2;  
 FIG. 11 is an enlargement of the encircled portion 11 in FIG. 2;  
 FIG. 12 is an enlargement of the encircled portion 12 in FIG. 2;  
 FIG. 13 is an enlargement of the encircled portion 13 in FIG. 5;  
 FIG. 14 is an enlargement of the encircled portion 14 in FIG. 5;  
 FIG. 15 is an enlargement of the encircled portion 15 in FIG. 6;  
 FIG. 16 is an enlargement of the encircled portion 16 in FIG. 6;  
 FIG. 17 is an enlargement of the encircled portion 17 in FIG. 7; and,  
 FIG. 18 is an enlargement of the encircled portion 18 in FIG. 7.

The broken lines in the figures depict portions of the helmet which form no part of the claimed design.  
 The dot-dot-dash broken lines encircling portions of the claimed design that are shown in enlargements form no part of the claimed design.

**1 Claim, 18 Drawing Sheets**



(56)

**References Cited**

U.S. PATENT DOCUMENTS

D819,892 S *	6/2018	Lee .....	D29/107
D822,907 S *	7/2018	Fukuyama .....	D29/107
D836,254 S *	12/2018	Nimura .....	D29/107
D838,917 S *	1/2019	Murakami .....	D29/107
D843,663 S *	3/2019	Locatelli .....	D29/107
D849,328 S *	5/2019	Tang .....	D29/107
D853,042 S *	7/2019	Lee .....	D29/107
D859,748 S *	9/2019	Lee .....	D29/107

\* cited by examiner

FIG. 1

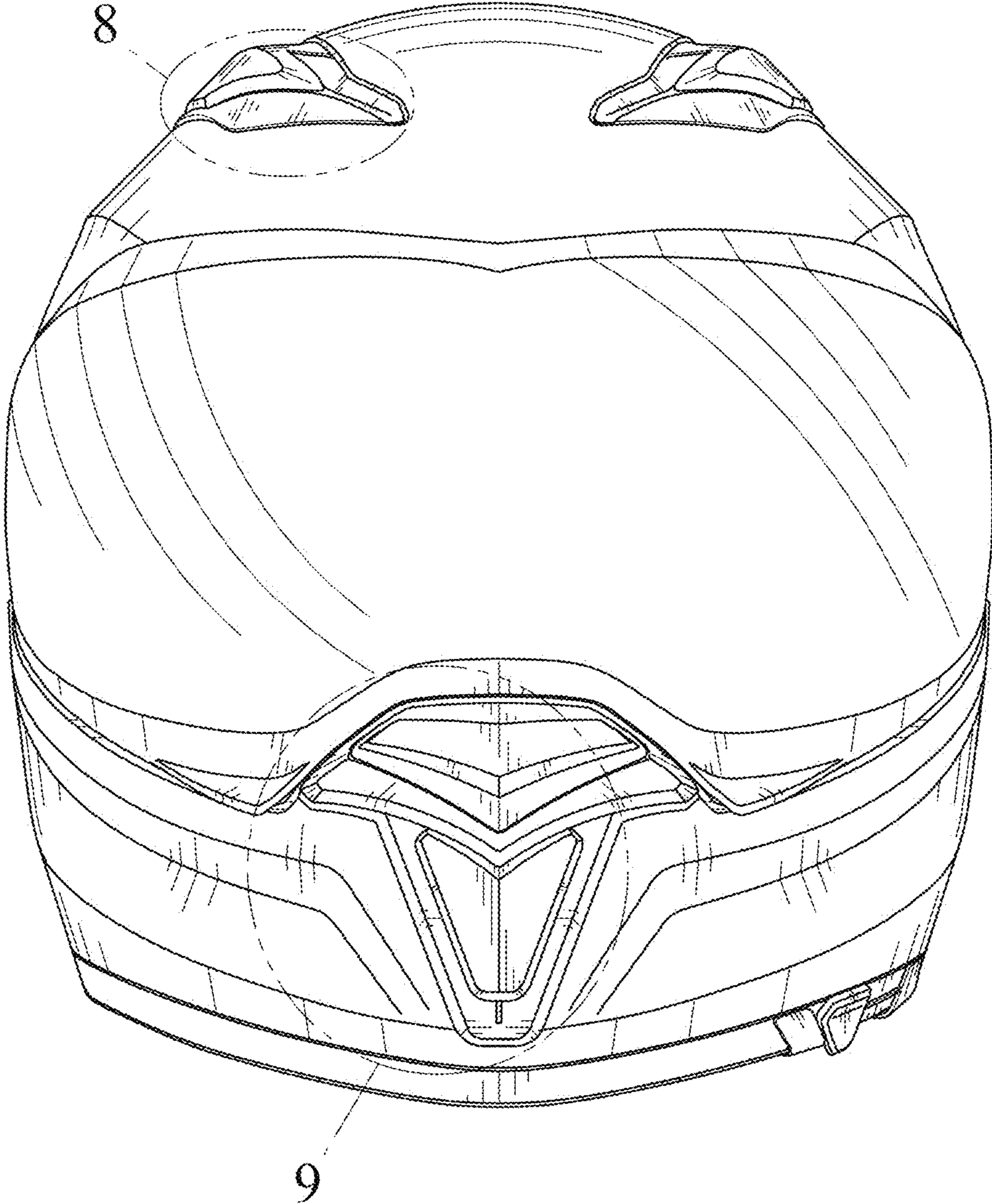


FIG. 2

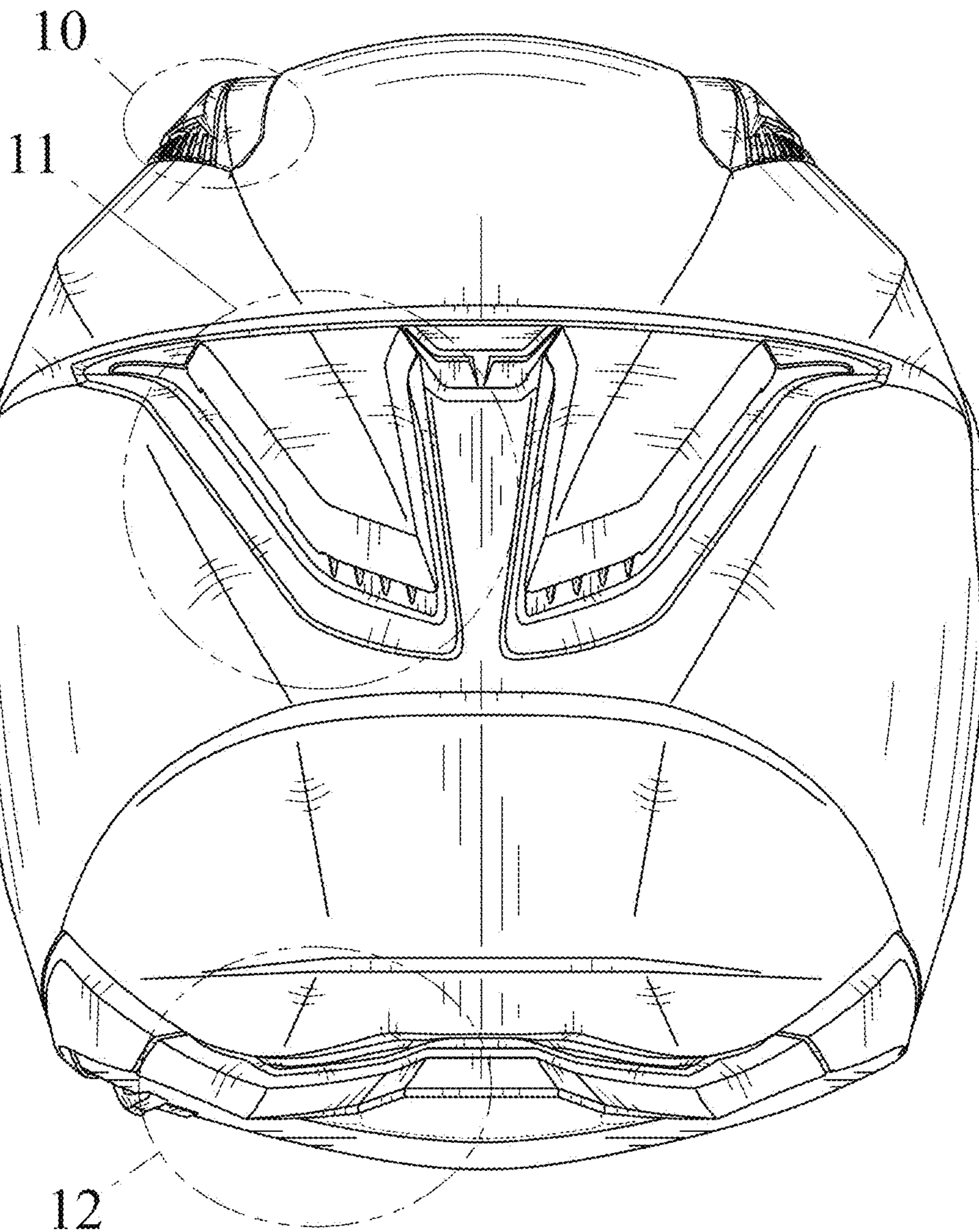


FIG. 3

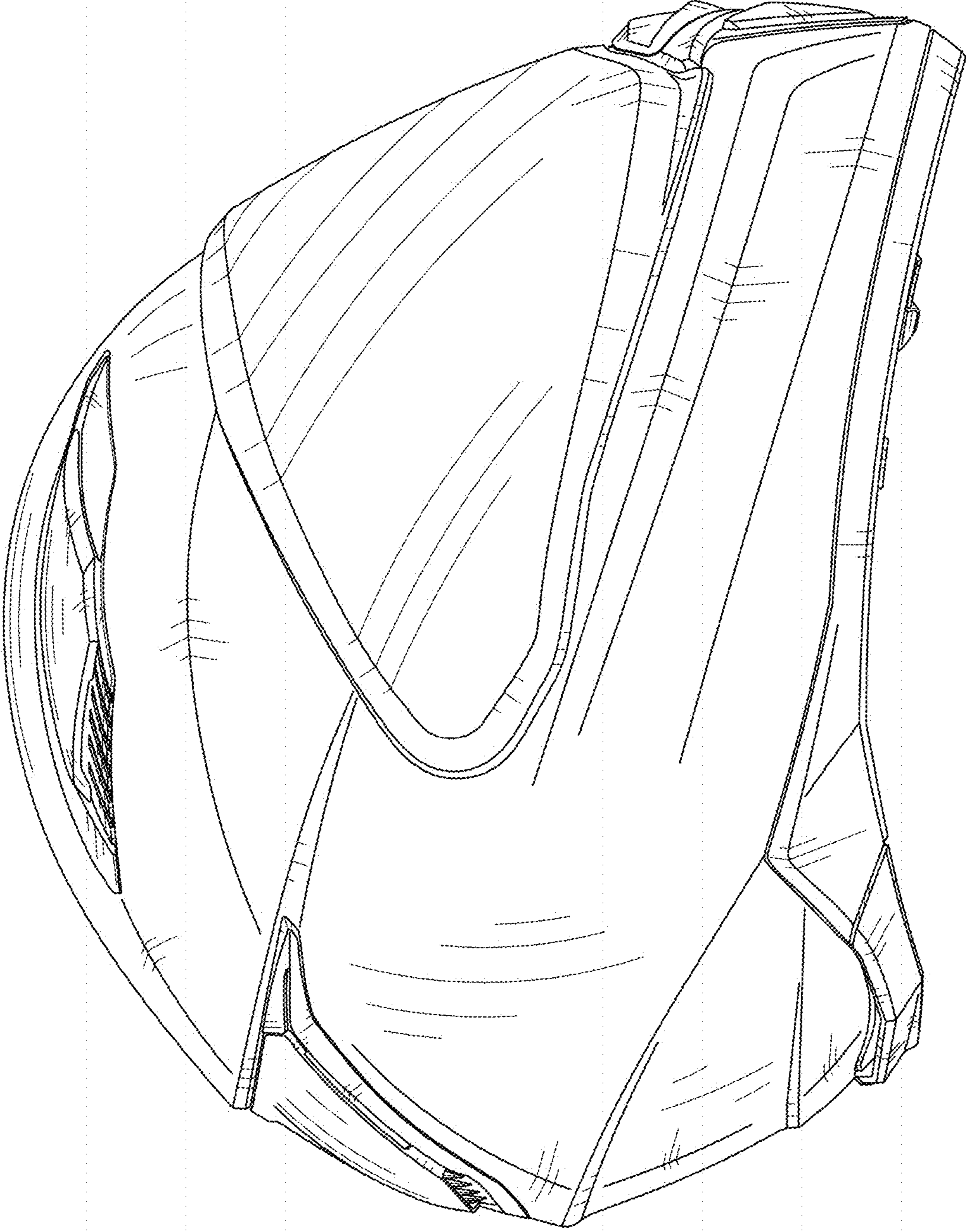


FIG. 4

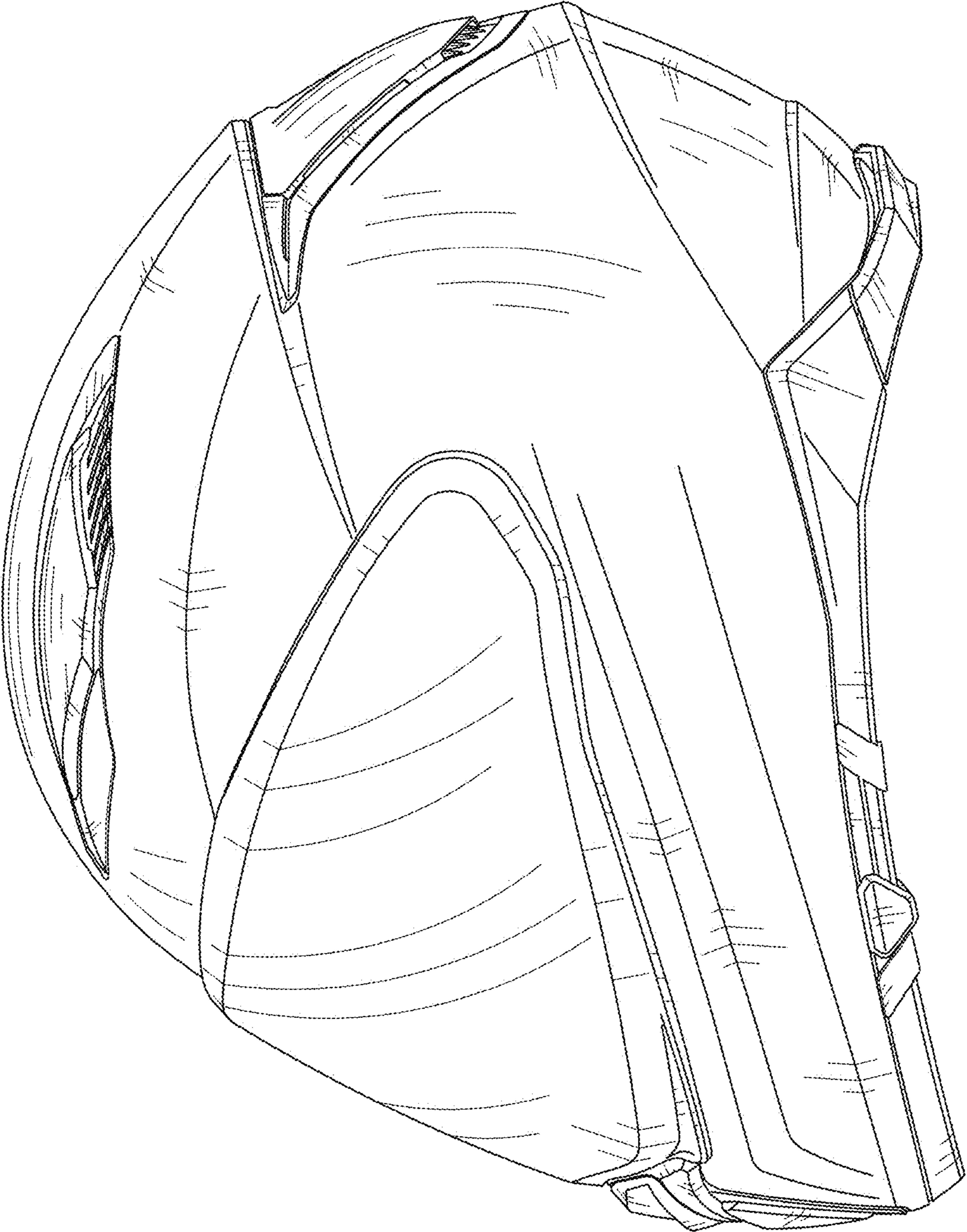


FIG. 5

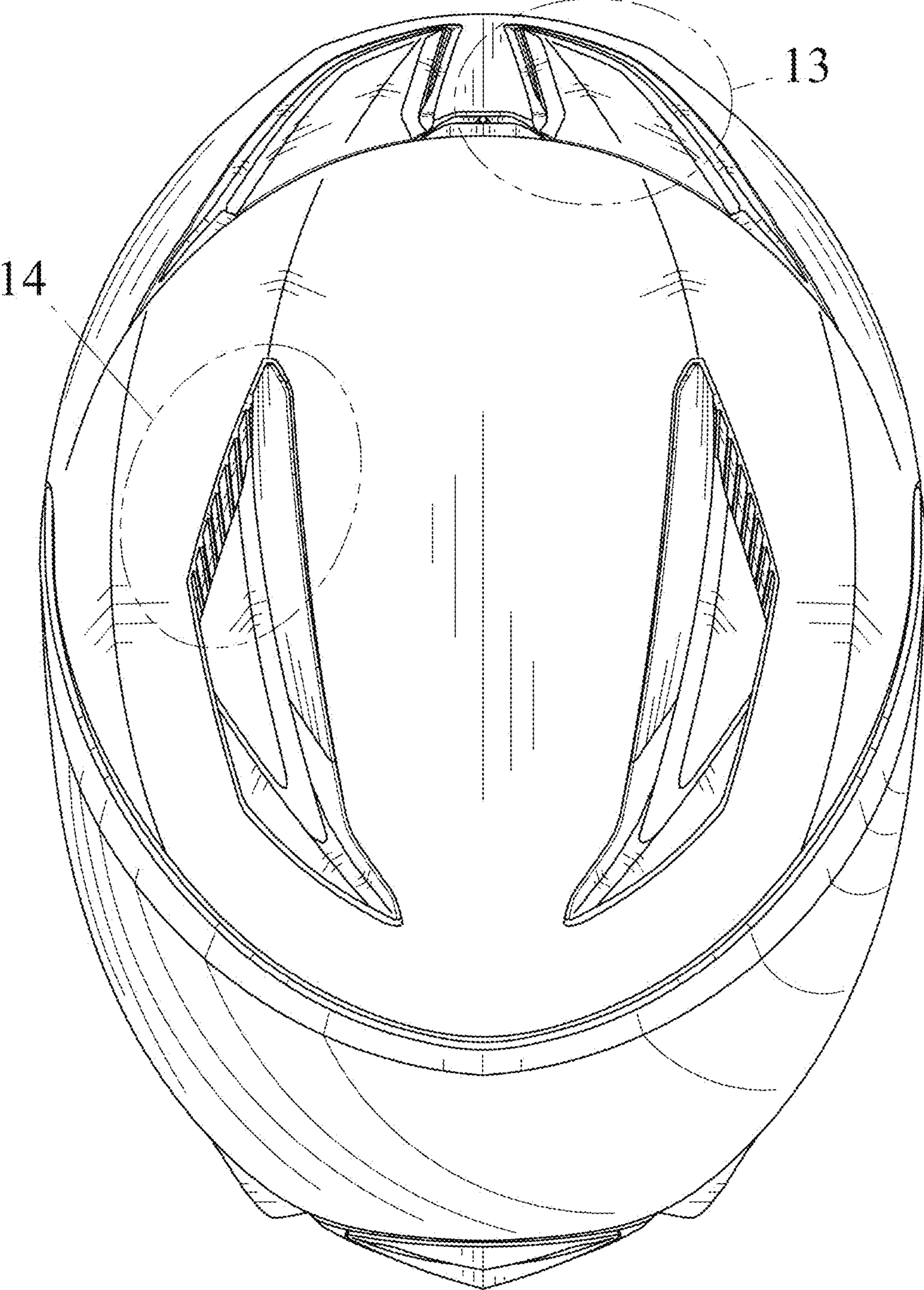


FIG. 6

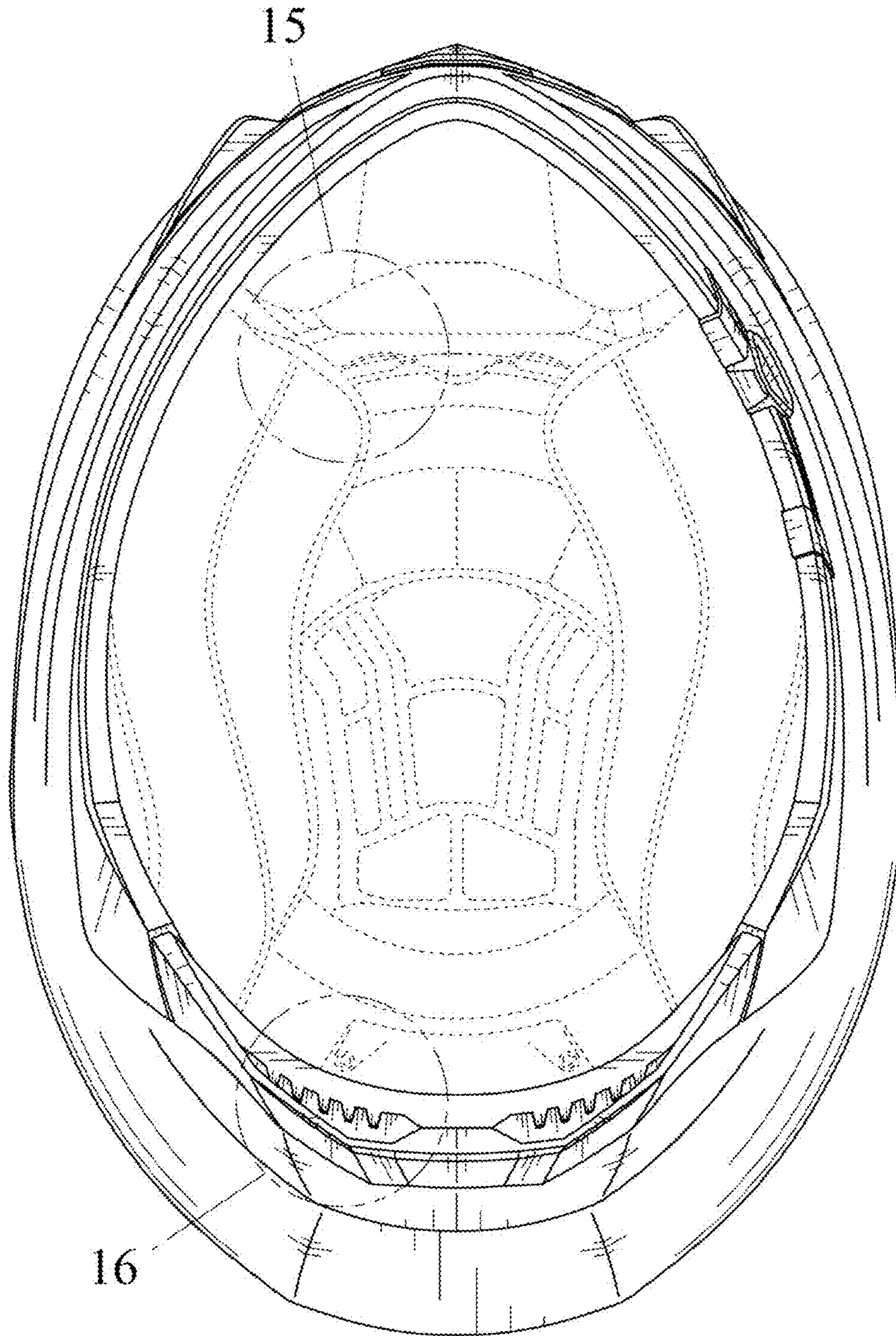




FIG. 7

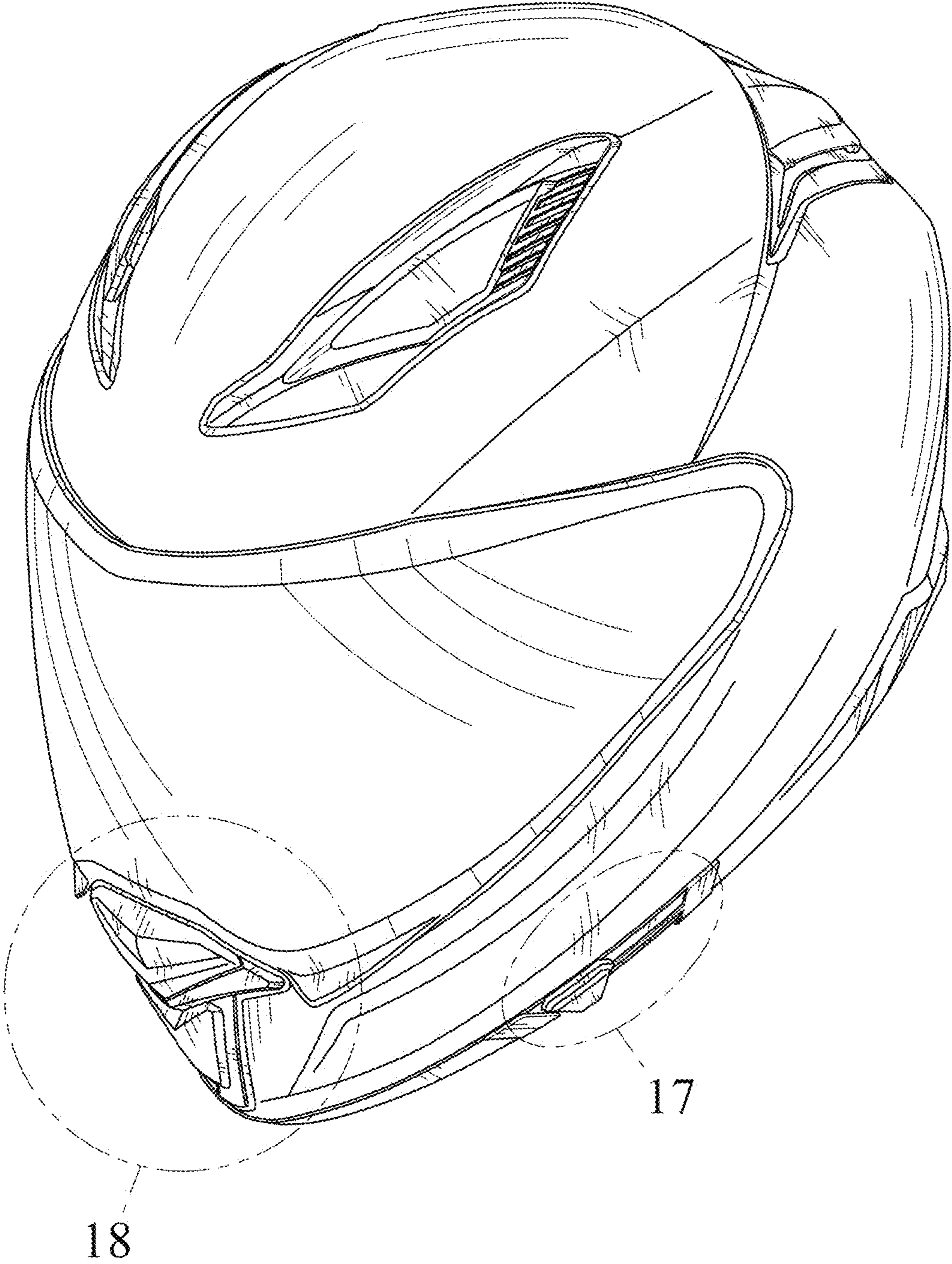


FIG. 8

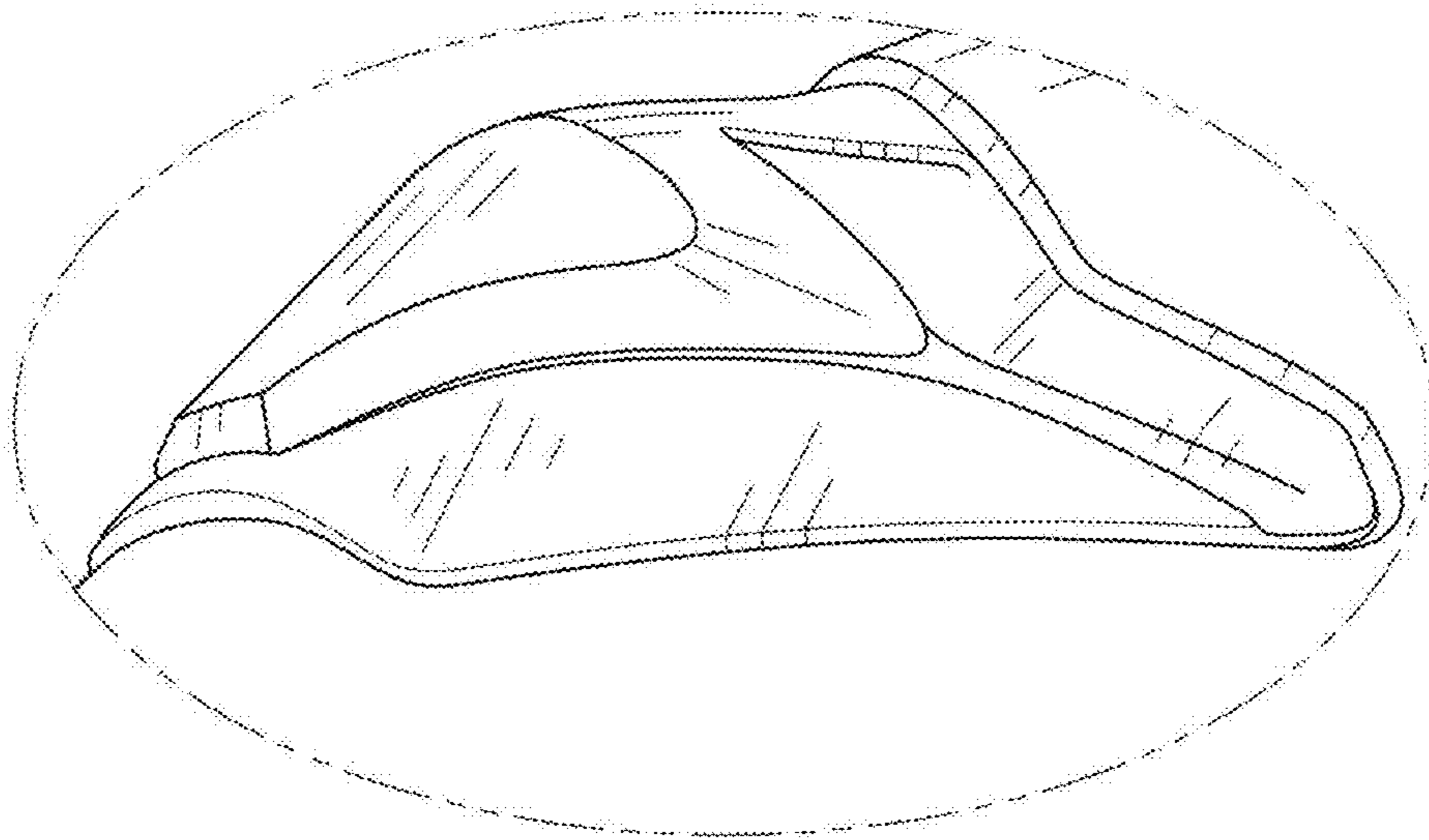


FIG. 9

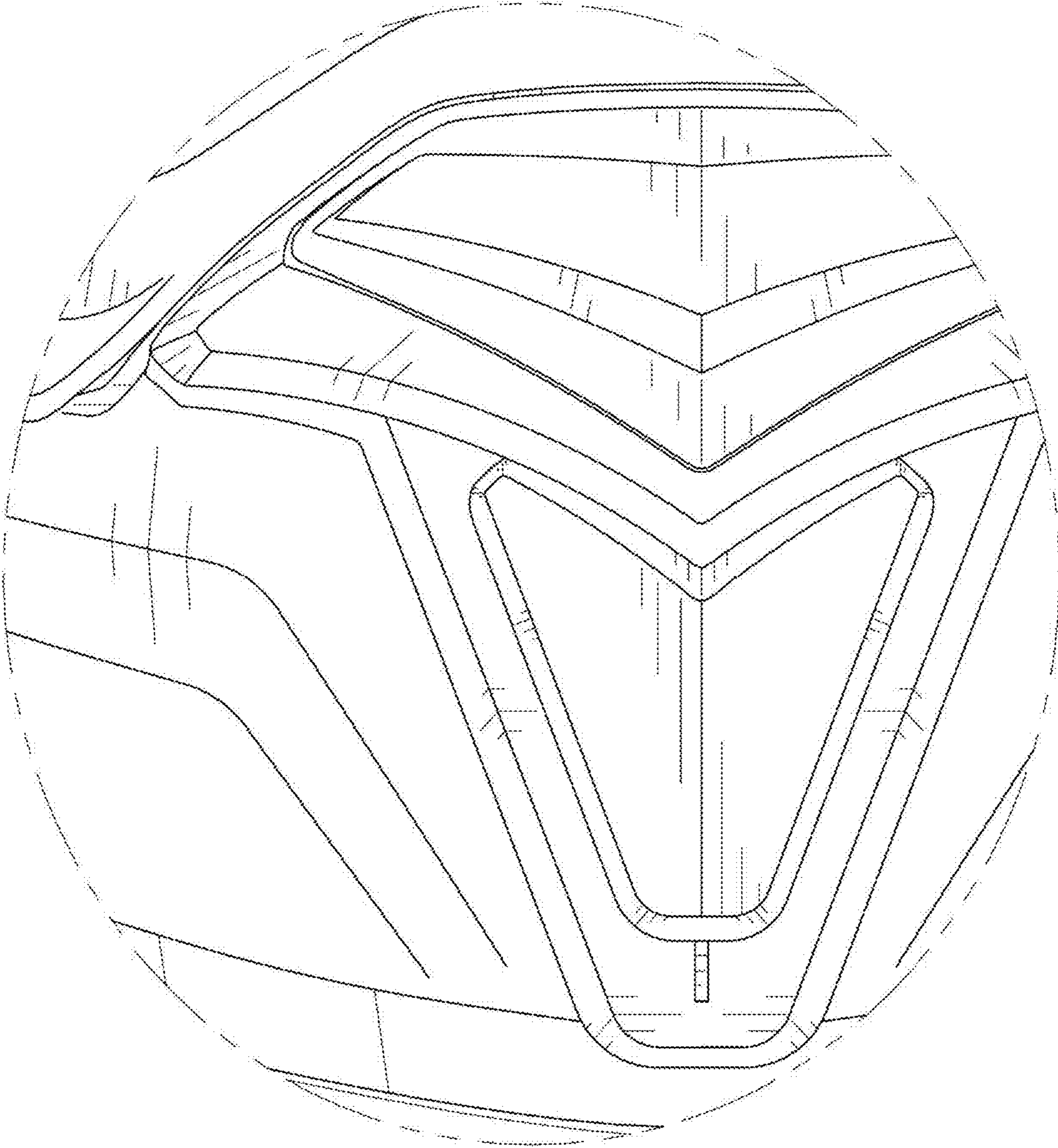


FIG. 10

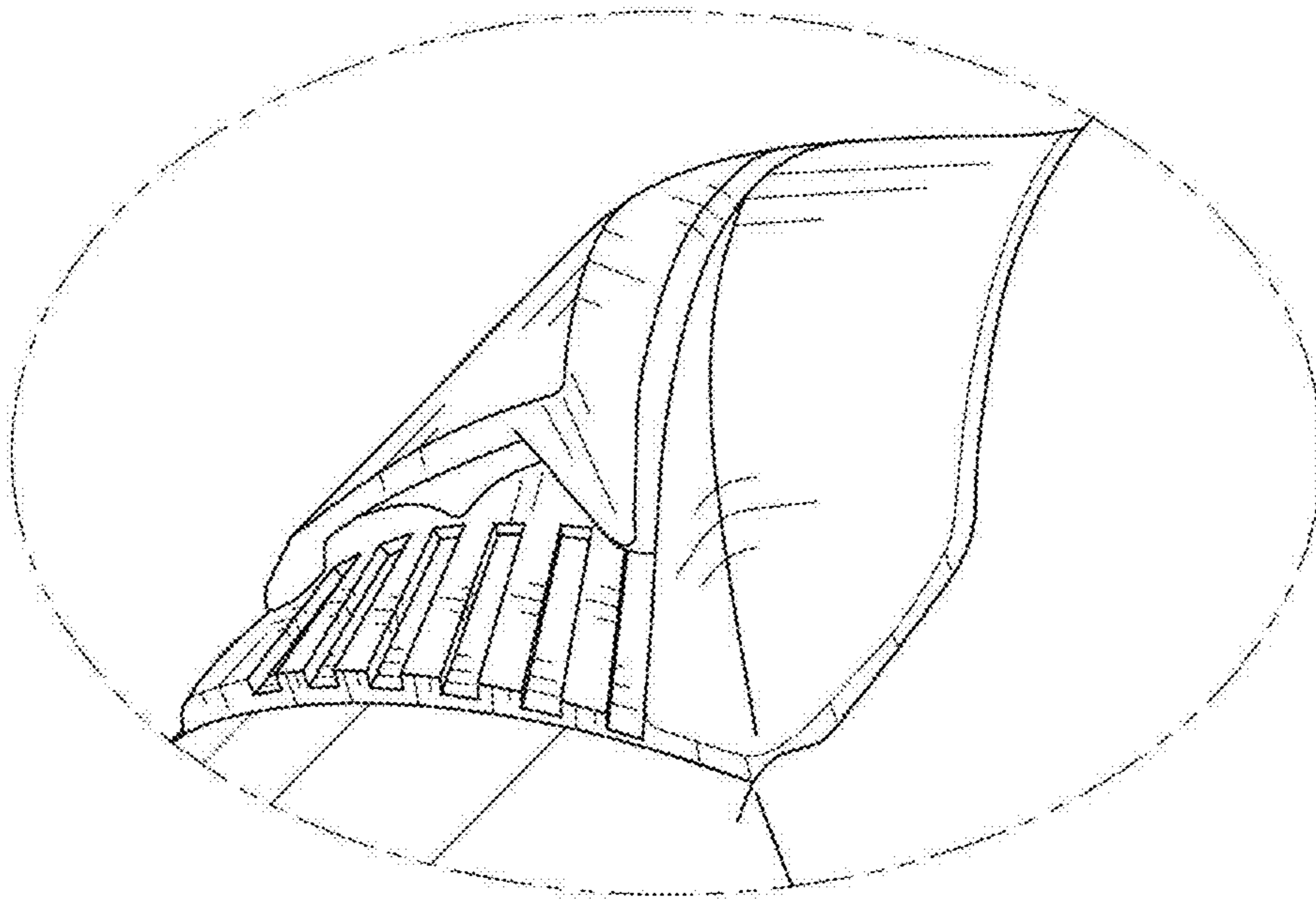


FIG. 11

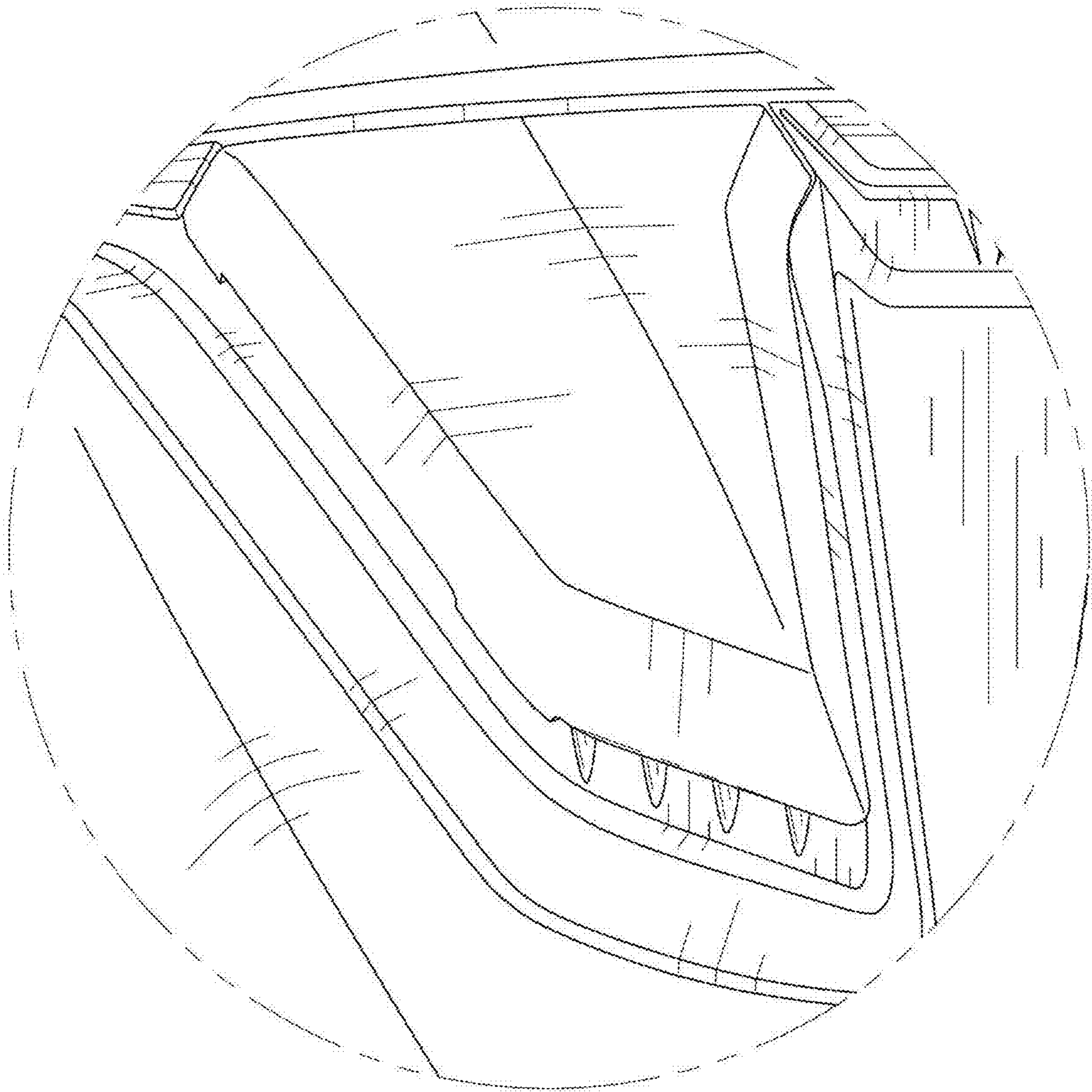


FIG. 12

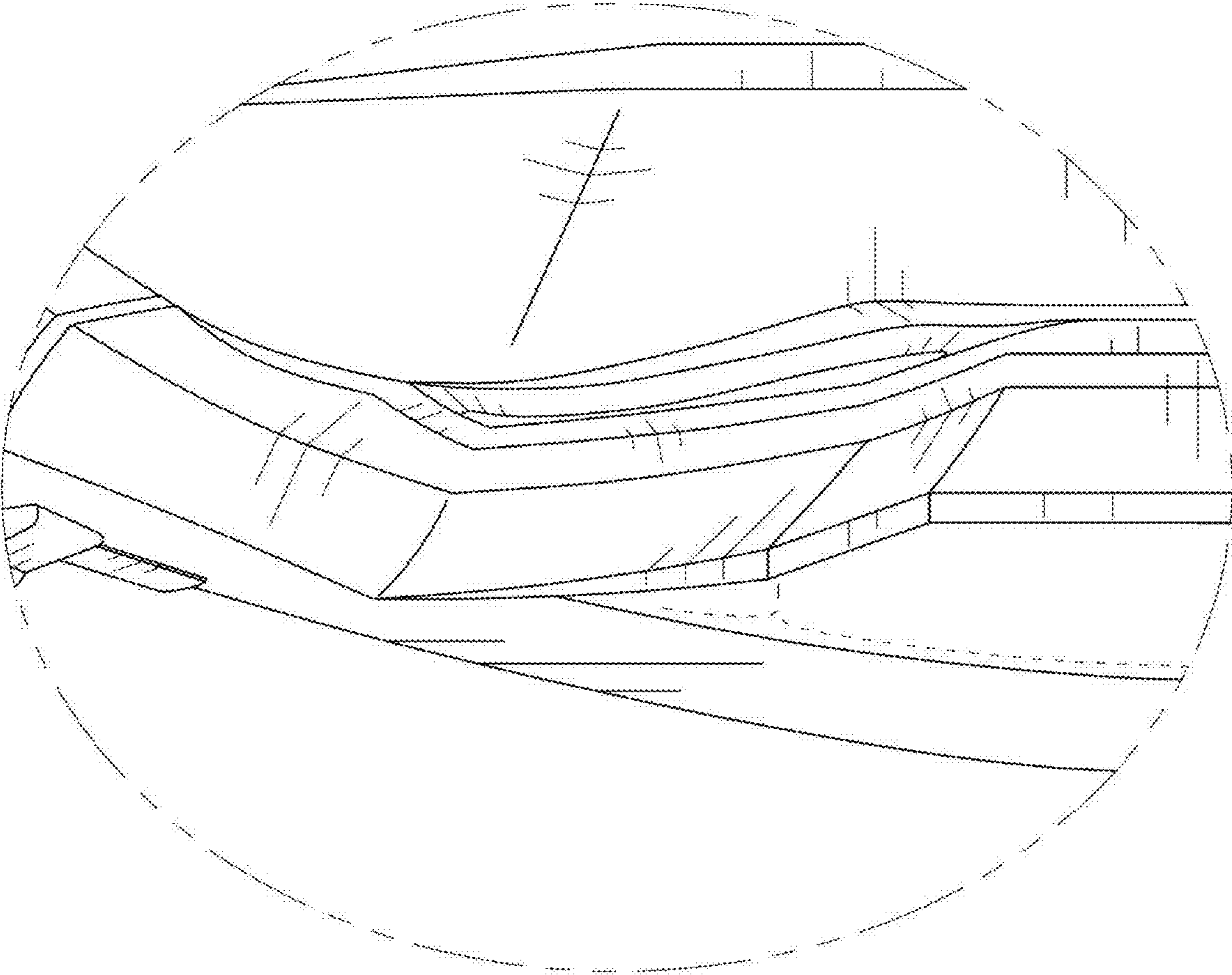


FIG. 13

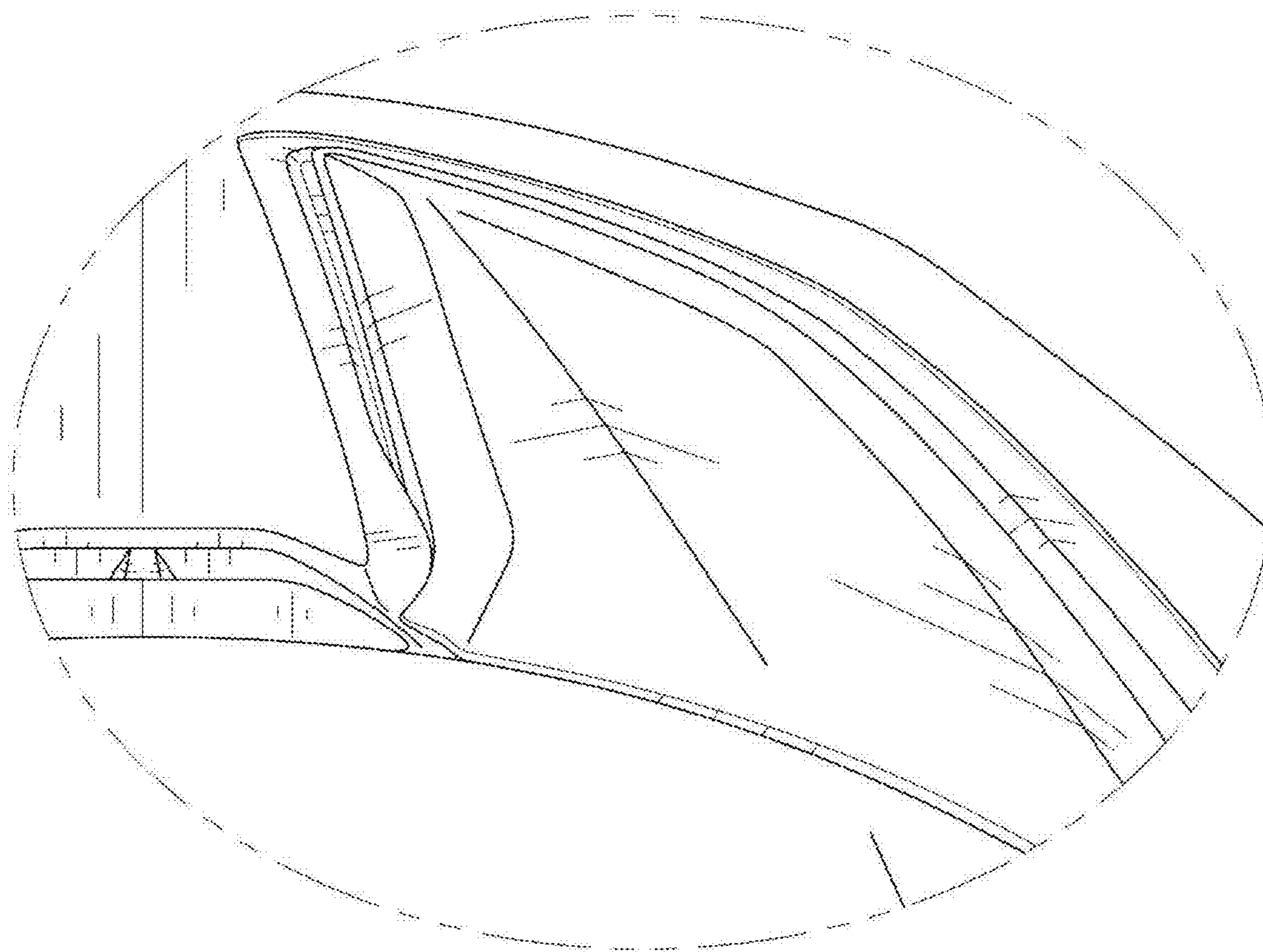


FIG. 14

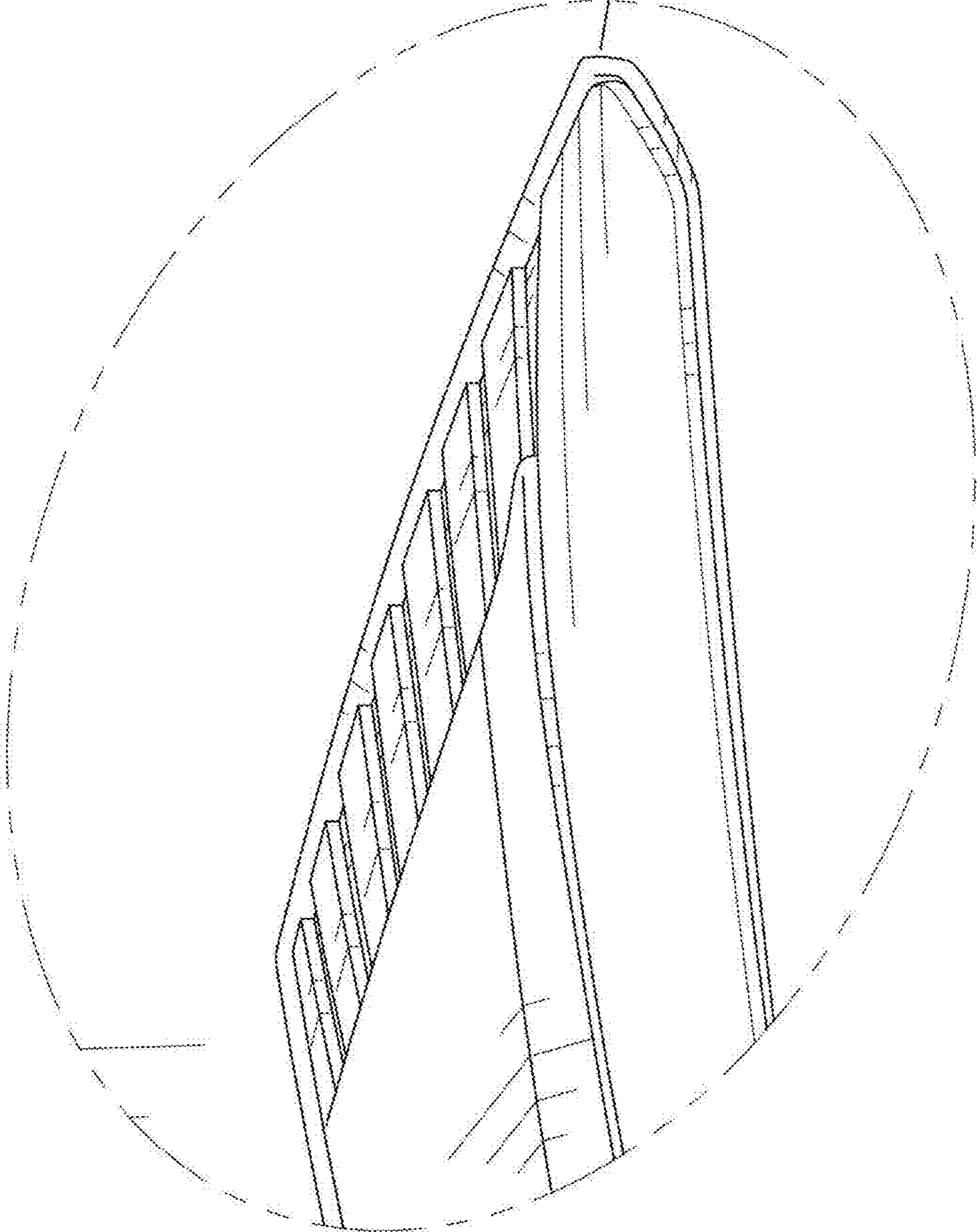




FIG. 15

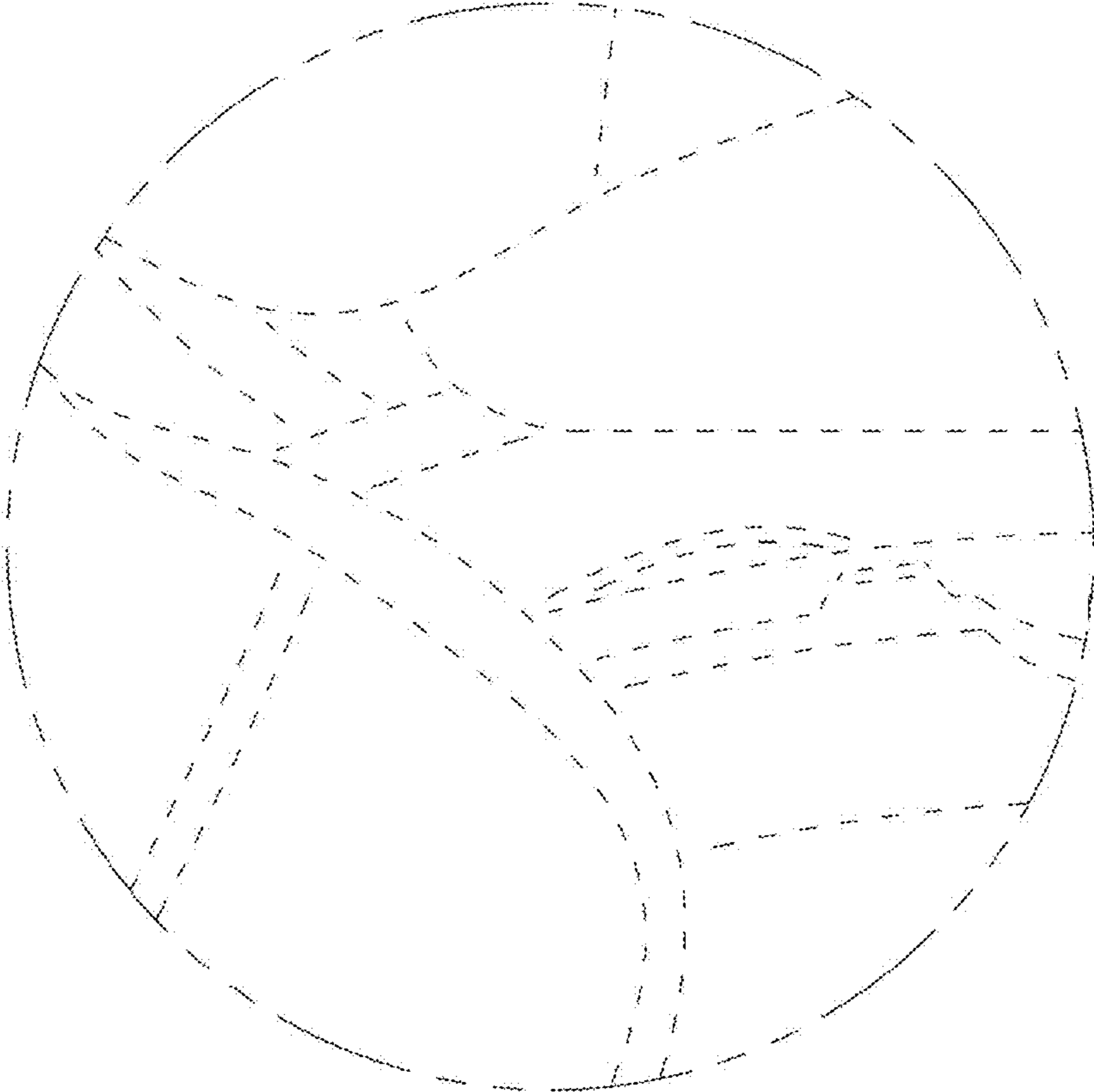


FIG. 16

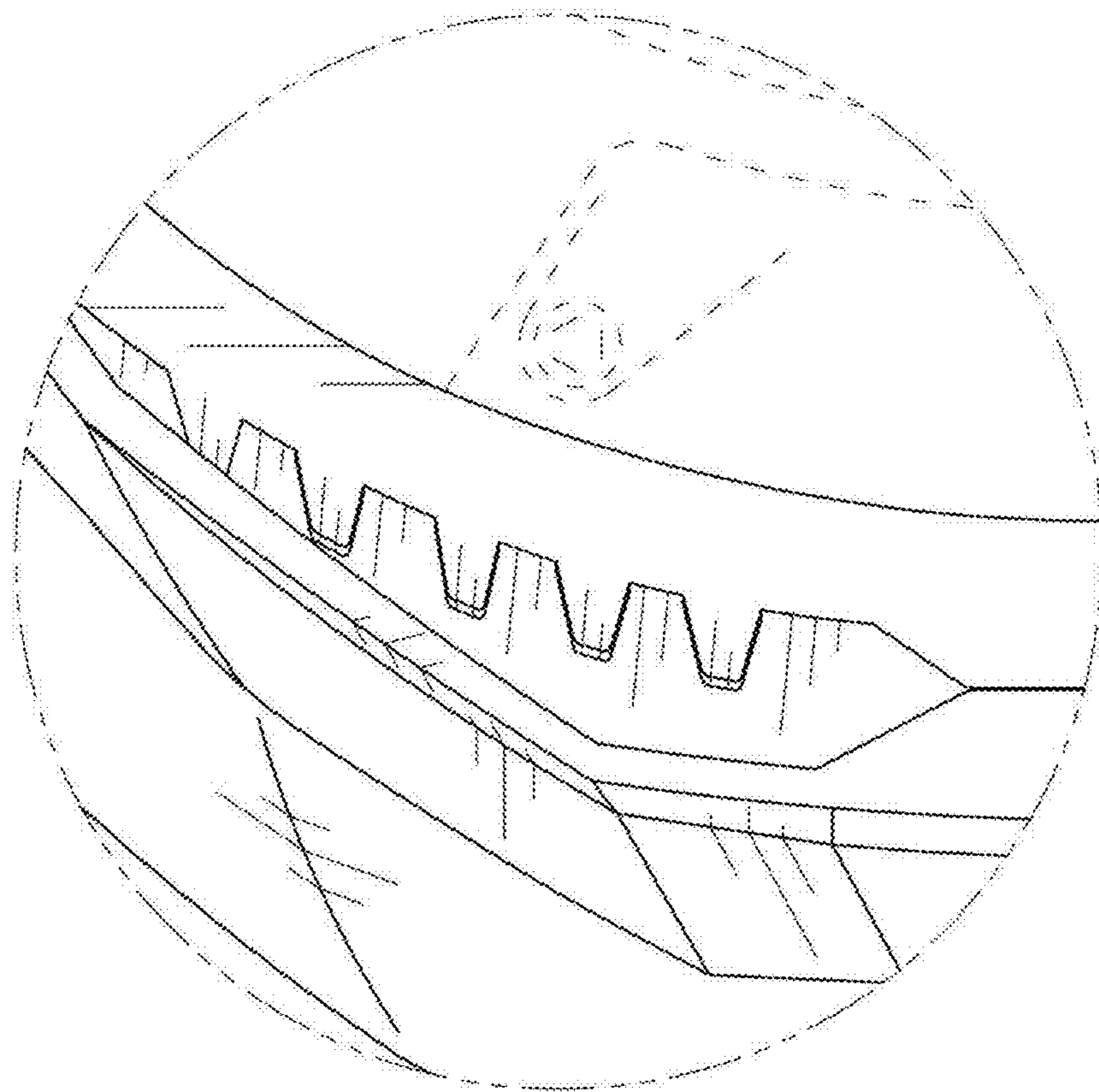


FIG. 17

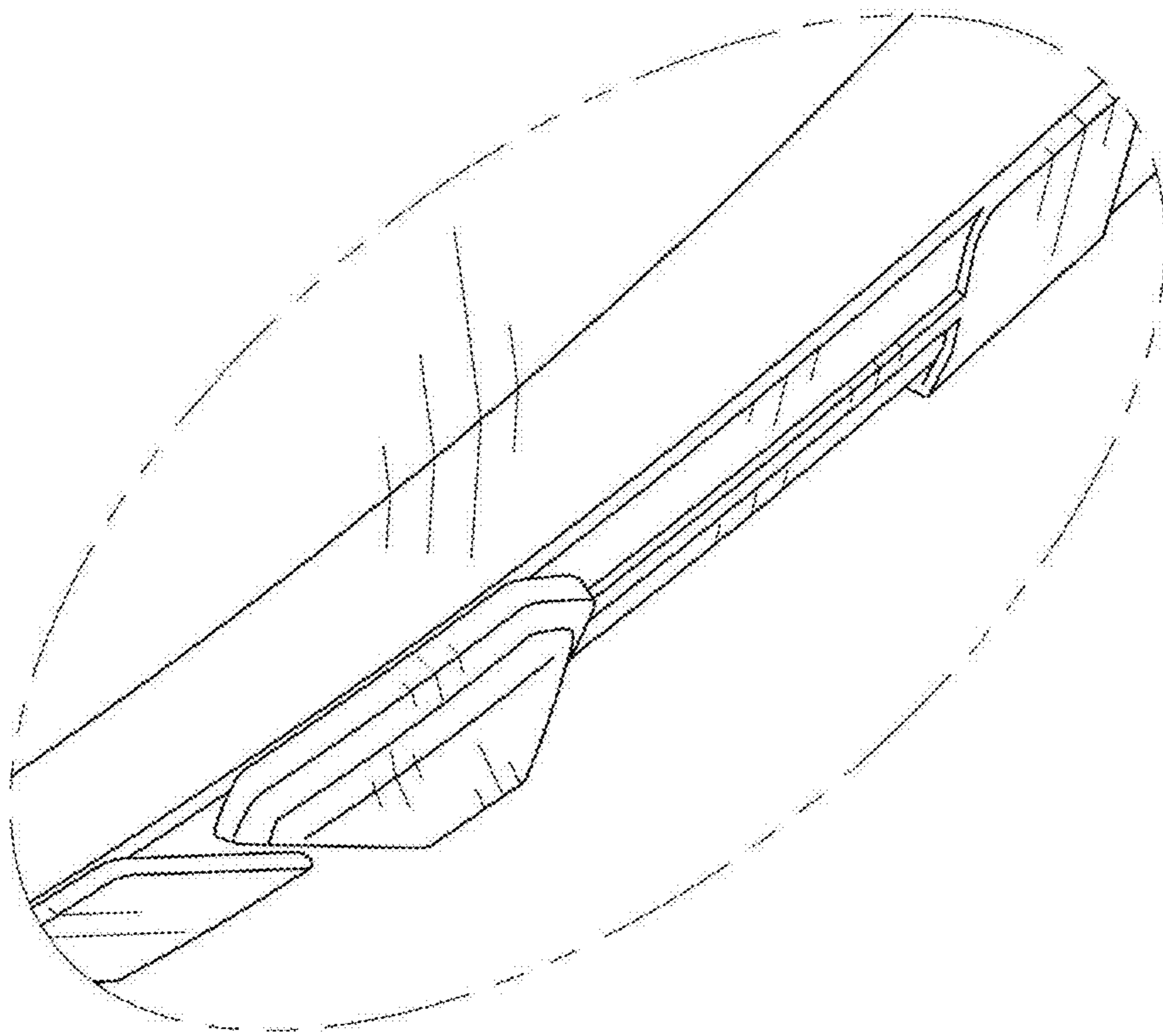


FIG. 18

