



US00D916378S

(12) **United States Design Patent**
Farantos

(10) **Patent No.:** **US D916,378 S**

(45) **Date of Patent:** **** Apr. 13, 2021**

- (54) **SHOULDER HARNESS**
- (71) Applicant: **Harry Anargiros Farantos**, San Carlos, CA (US)
- (72) Inventor: **Harry Anargiros Farantos**, San Carlos, CA (US)
- (**) Term: **15 Years**
- (21) Appl. No.: **29/714,341**
- (22) Filed: **Nov. 22, 2019**
- (51) **LOC (13) Cl.** **29-02**
- (52) **U.S. Cl.**
USPC **D29/101.2**
- (58) **Field of Classification Search**
USPC D29/100, 101.1, 101.2, 101.3, 101.4, D29/101.5; D24/190
CPC . A63B 21/00; A63B 21/4007; A63B 21/4005; A61H 3/00; A61H 2003/007; A61H 3/008; A61H 1/00; A62B 35/0006; A62B 35/0018; A62B 35/0025; A62B 35/00; B64D 17/30; A47D 15/00; B60R 22/00; A45F 3/14; A45F 2003/148; A45F 5/10; A45F 2005/1013
See application file for complete search history.

- (56) **References Cited**
U.S. PATENT DOCUMENTS
1,721,516 A * 7/1929 Jacobs A62B 35/00 182/9
1,882,381 A * 10/1932 Davis A62B 35/00 24/194
2,407,714 A * 9/1946 Maloney A61G 1/044 224/160
3,407,898 A * 10/1968 Johnson A63B 27/00 182/9
4,712,646 A * 12/1987 Page A62B 35/0068 182/9
5,101,768 A * 4/1992 Cates A62B 35/0006 119/770

- 5,203,570 A * 4/1993 Graham A63B 69/0059 473/214
- 5,318,084 A * 6/1994 Jackson A45C 13/30 150/102
- 5,451,060 A * 9/1995 Dalbo A63B 69/0059 2/115
- D370,776 S * 6/1996 Frey 224/624
- 6,082,492 A * 7/2000 Yerger A63B 27/00 182/136

(Continued)

Primary Examiner — Kimberly Barnes
(74) *Attorney, Agent, or Firm* — Douglas L. Weller

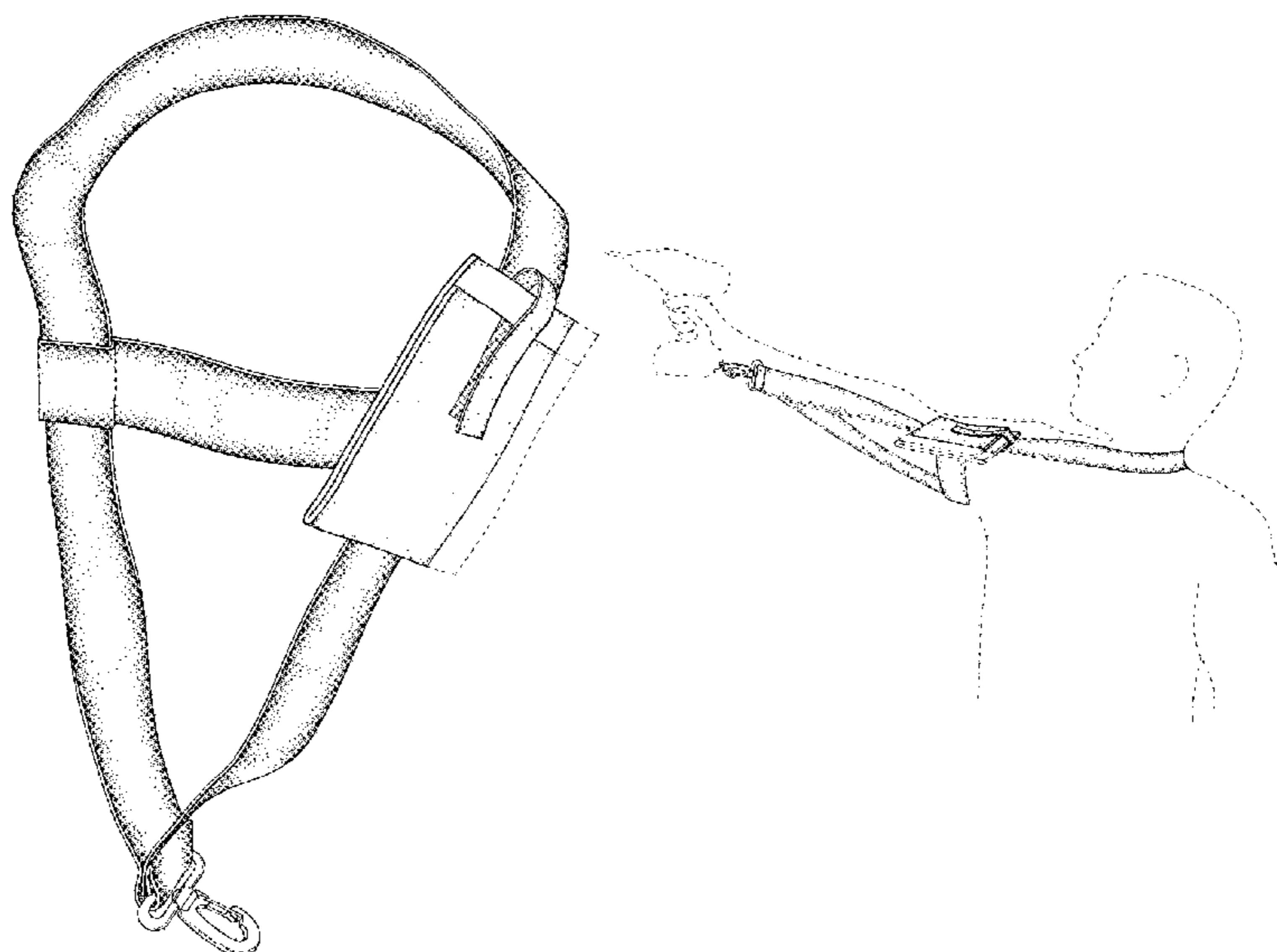
(57) **CLAIM**

The ornamental design for a shoulder harness, as shown and described.

DESCRIPTION

FIG. 1 is a front perspective view configured to be worn over a right shoulder.
 FIG. 2 is a front perspective view configured to be worn over a right shoulder with a pocket strap and clip in an open position.
 FIG. 3 is a rear perspective view configured to be worn over a right shoulder.
 FIG. 4 is a front perspective view configured to be worn over a left shoulder.
 FIG. 5 is a rear perspective view configured to be worn over a left shoulder.
 FIG. 6 is a front in-use perspective view configured to be worn over a right shoulder; and,
 FIG. 7 is a front in-use perspective view configured to be worn over a left shoulder.
 The broken lines in the drawings depict portions of the shoulder harness that form no part of the claimed design. The broken lines in FIGS. 6 and 7 depicting a person holding a tool represent environmental subject matter that forms no part of the claimed design.

1 Claim, 6 Drawing Sheets



(56)

References Cited

U.S. PATENT DOCUMENTS

6,182,878 B1 * 2/2001 Racca A45C 15/00
224/236
D460,623 S * 7/2002 Vatter D3/327
D553,801 S * 10/2007 Palasini D29/101.1
7,334,714 B2 * 2/2008 Brown A45C 13/30
224/600
7,552,969 B2 * 6/2009 Maciejczyk B60N 2/2809
280/801.1
8,967,439 B2 * 3/2015 Vitangcol A45F 3/04
224/646
D743,627 S * 11/2015 Rouse D29/101.1
9,278,665 B2 * 3/2016 Amirault A61F 5/3776
9,930,882 B2 * 4/2018 Owen A01M 31/006
10,420,415 B1 * 9/2019 Wallace A45F 3/02
10,786,409 B2 * 9/2020 Choudhury A61G 7/1023
2010/0288806 A1 * 11/2010 Wier A01K 97/10
224/257
2016/0227911 A1 * 8/2016 Benzakin A45F 3/14
2019/0014888 A1 * 1/2019 Duncan A45F 3/14
2020/0178679 A1 * 6/2020 Swaggart A45F 3/14

* cited by examiner

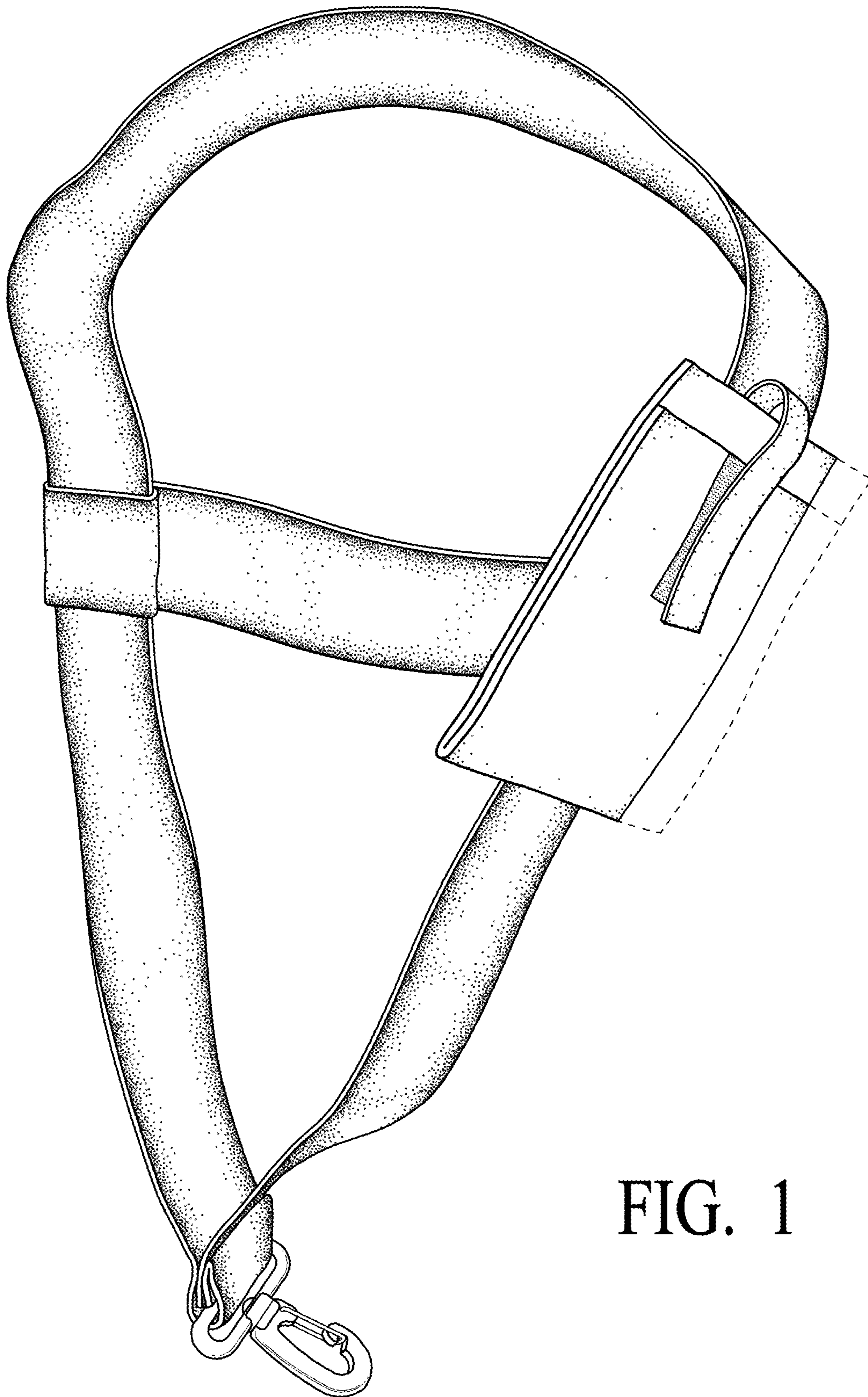


FIG. 1

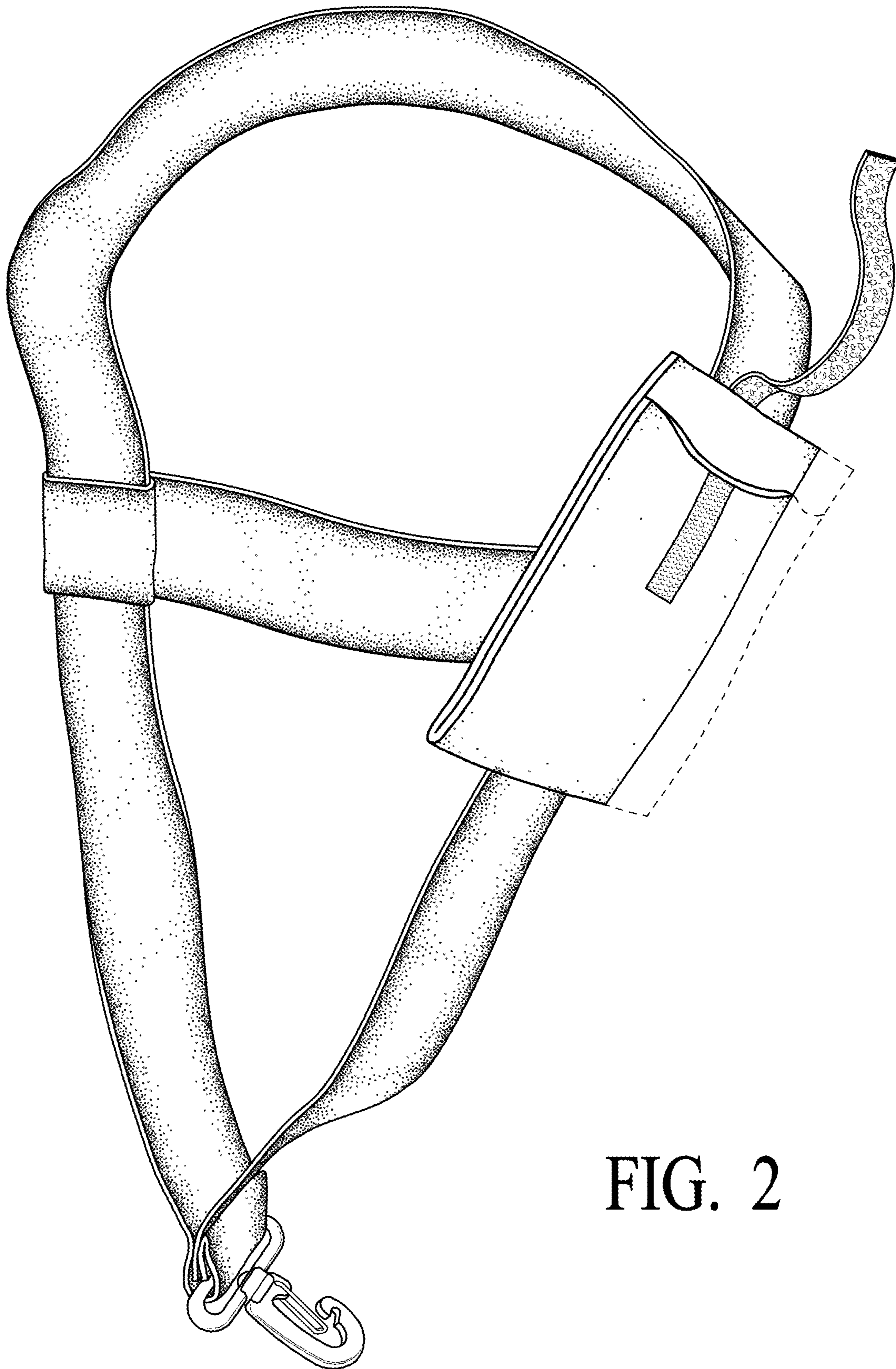


FIG. 2

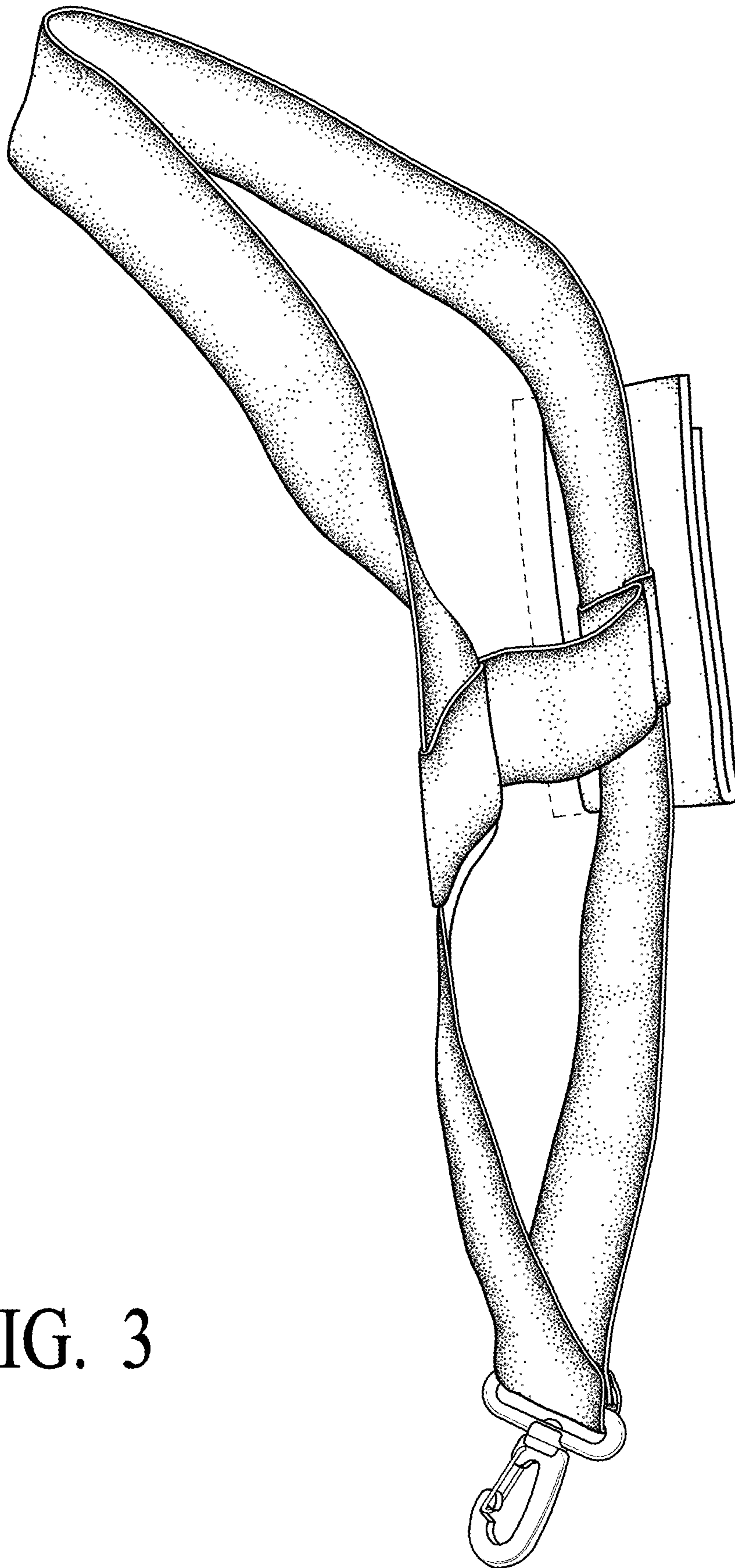


FIG. 3

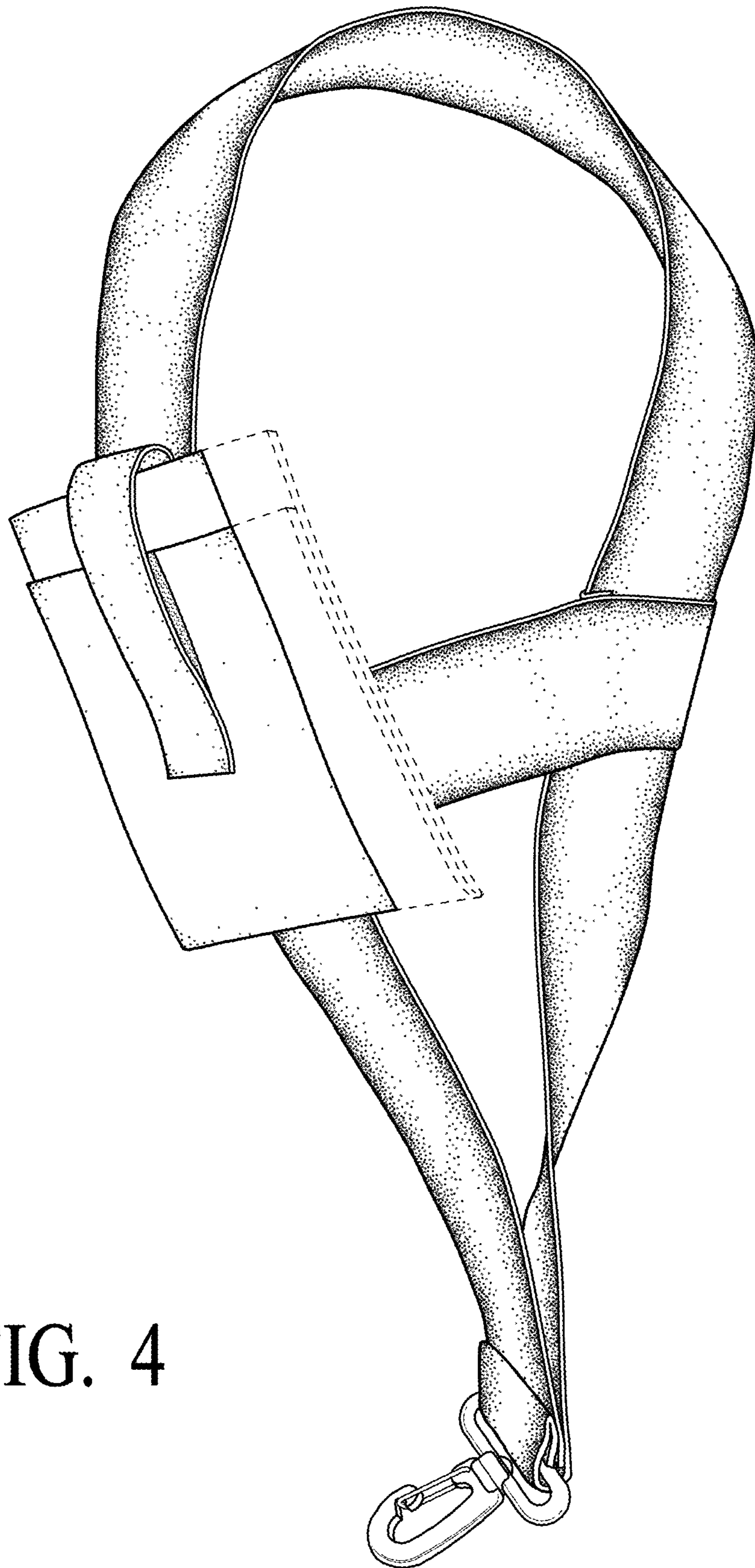


FIG. 4

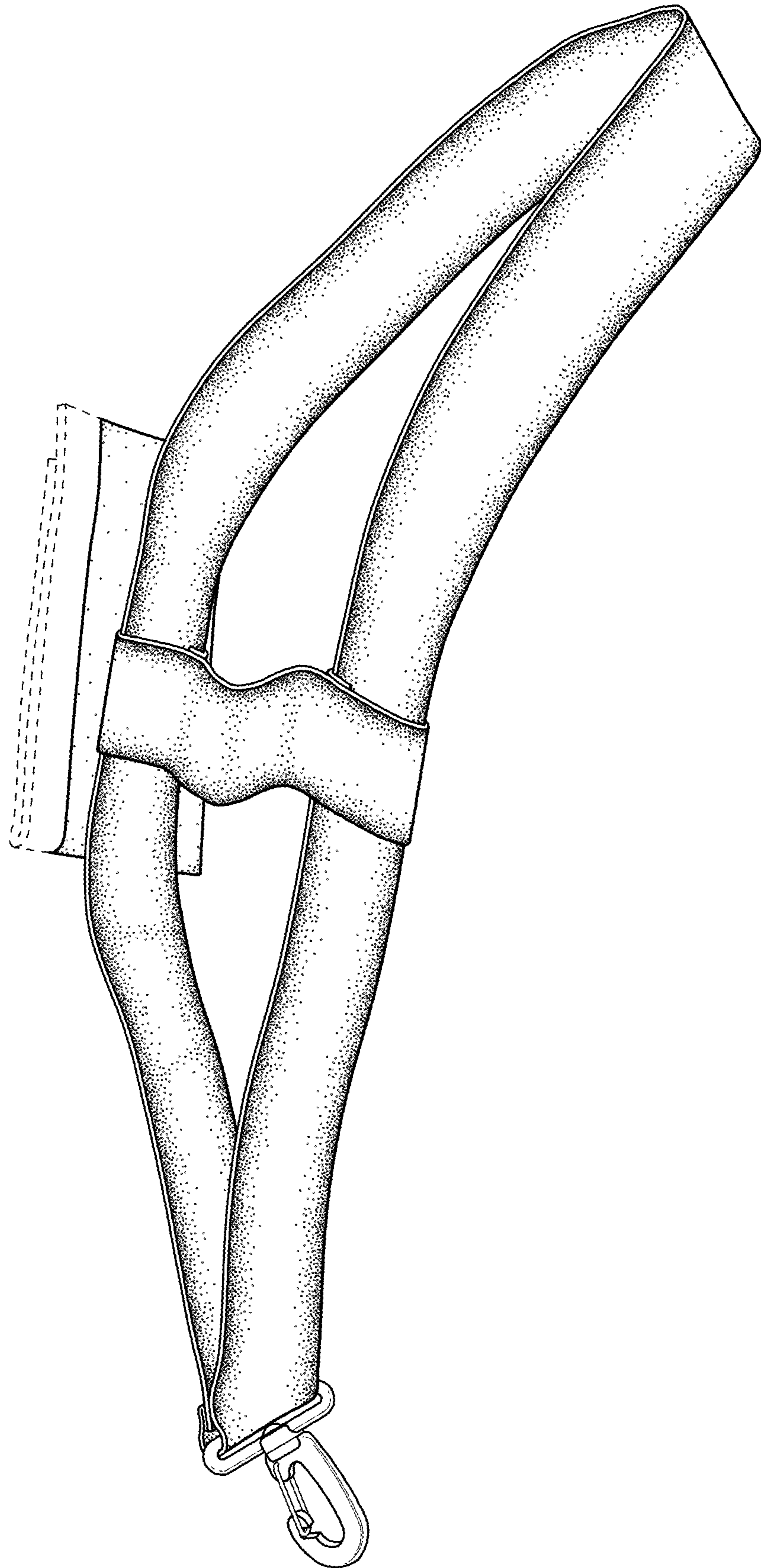


FIG. 5

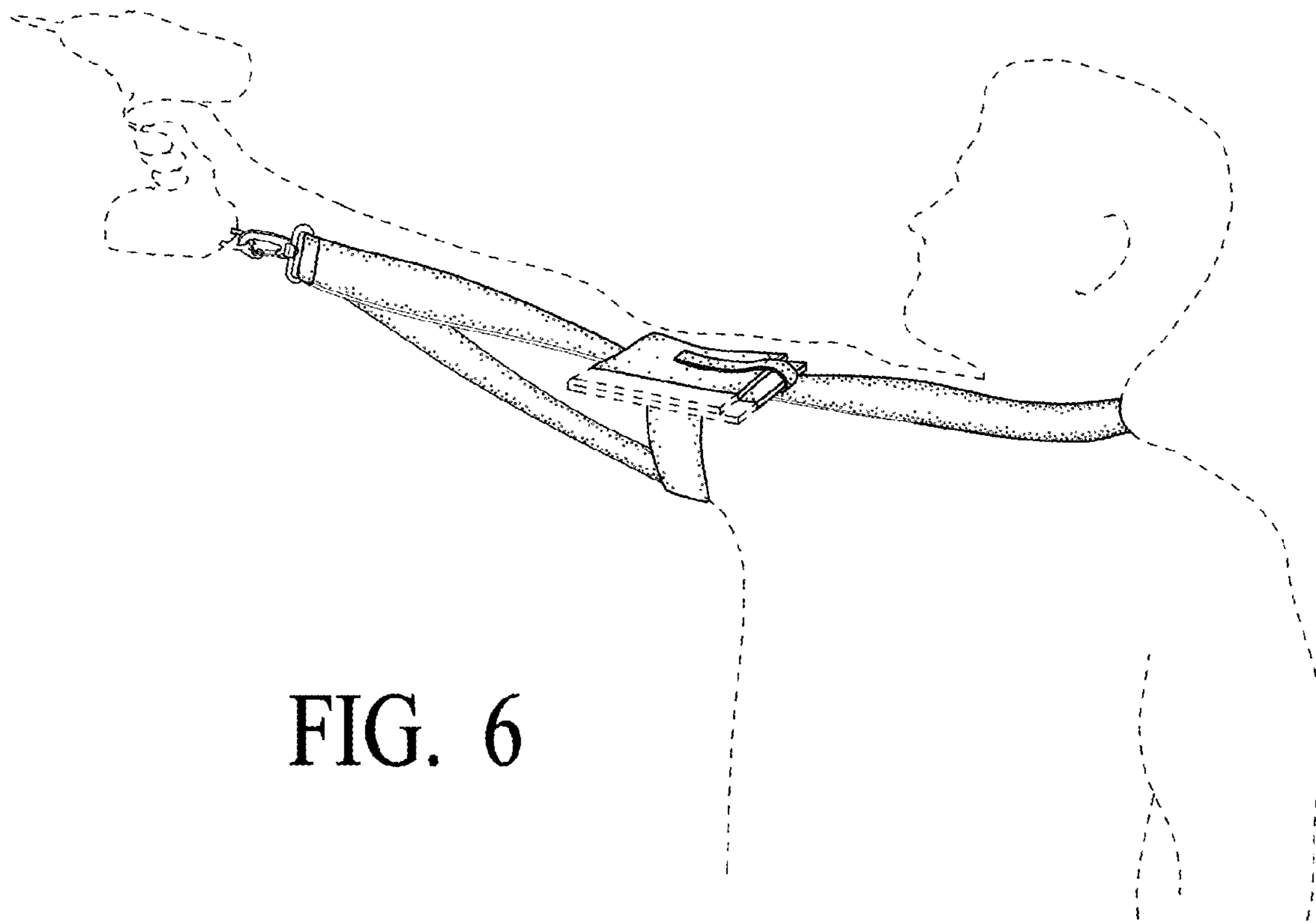


FIG. 6

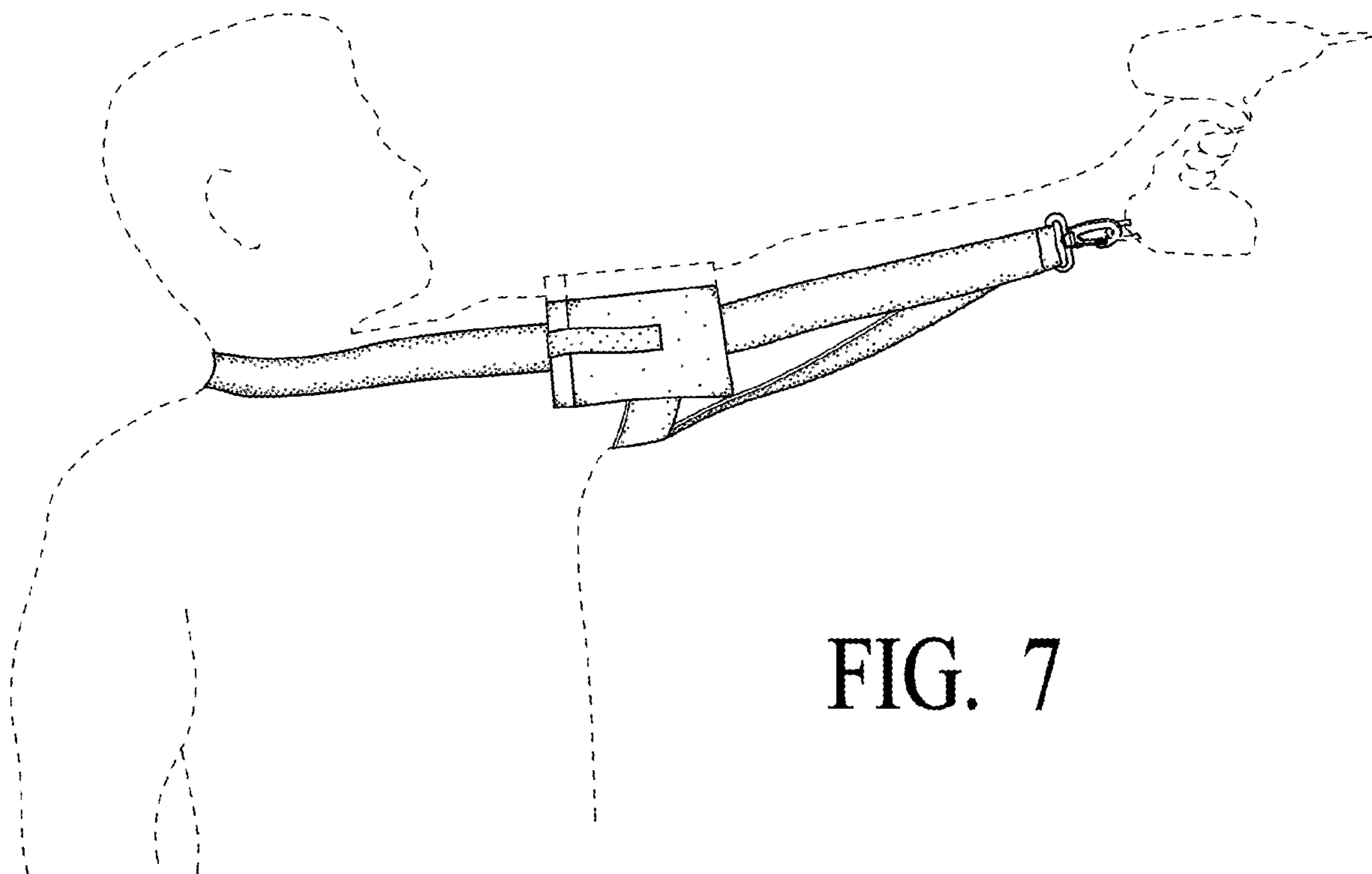


FIG. 7