



US00D916375S

(12) **United States Design Patent**
Kerr

(10) **Patent No.:** **US D916,375 S**

(45) **Date of Patent:** **** Apr. 13, 2021**

(54) **TRAVEL COSMETIC KIT**

(71) Applicant: **Jennifer L. Kerr**, Nashville, TN (US)

(72) Inventor: **Jennifer L. Kerr**, Nashville, TN (US)

(**) Term: **15 Years**

(21) Appl. No.: **29/692,828**

(22) Filed: **May 29, 2019**

(51) **LOC (13) Cl.** **28-03**

(52) **U.S. Cl.**

USPC **D28/76**; D3/901

(58) **Field of Classification Search**

USPC D28/7, 73, 76-84, 88, 90, 99;
D9/503-505, 721, 722, 740, 529, 420,
D9/425, 428, 456, 418; D3/201, 203.2,
D3/203.3, 20, 205, 264, 901
CPC A45D 33/00; A45D 33/006; A45D 33/003;
A45D 33/04-33; A45D 33/025; A45D
33/02; A45D 33/20; A45D 33/22; A45D
33/24; A45D 33/26; A45D 33/28; A45D
33/18

See application file for complete search history.

(56) **References Cited**

U.S. PATENT DOCUMENTS

D103,887 S * 3/1937 Conner D9/740
D137,512 S * 3/1944 Laure D3/203.3
3,268,068 A * 8/1966 Le Grand A45C 11/005
206/5
D208,166 S * 7/1967 Hueber D3/264
D215,388 S * 9/1969 Kierun D28/99
D252,072 S * 6/1979 Bridges D3/203.3
D255,775 S * 7/1980 Clemens D9/740
D433,939 S * 11/2000 Humphrey D9/418
D477,895 S * 7/2003 Goswell D28/83
D566,388 S * 4/2008 Nevins D3/263
D749,428 S * 2/2016 Fath D9/737

D749,429 S * 2/2016 Fath D9/737
D831,275 S * 10/2018 Maynard D28/83
10,602,818 B1 * 3/2020 Kerr B65D 25/107
D891,754 S * 8/2020 Westad D3/201
D897,676 S * 10/2020 McDonough D3/264
2002/0036155 A1 * 3/2002 Freeman A45D 33/00
206/581
2011/0155629 A1 * 6/2011 Debauge B01F 15/0201
206/581
2011/0174680 A1 * 7/2011 Arvin A45D 33/00
206/581

* cited by examiner

Primary Examiner — Jennifer Rivard

Assistant Examiner — Alison M Ofstun

(74) *Attorney, Agent, or Firm* — Robinson IP Law, PLLC

(57) **CLAIM**

The ornamental design for a travel cosmetic kit, as shown and described.

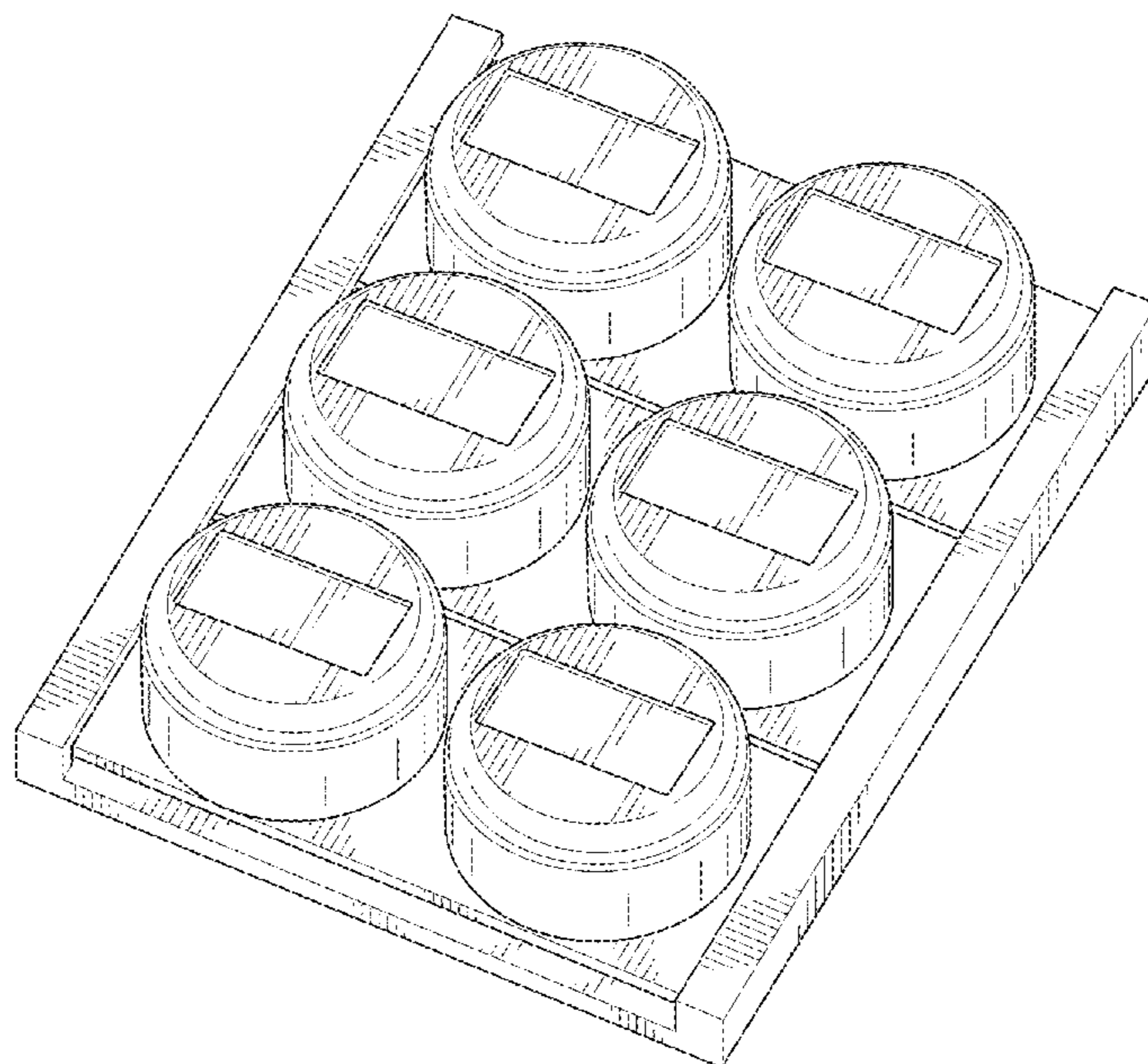
DESCRIPTION

FIG. 1 is a front perspective view of the travel cosmetic kit; FIG. 2 is a top plan view thereof; FIG. 3 is a bottom plan view thereof; FIG. 4 is a left elevational view thereof; FIG. 5 is a right elevational view thereof; FIG. 6 is a front elevational view thereof; FIG. 7 is a rear elevational view thereof; and, FIG. 8 is disassembled view thereof.

The features illustrated by broken lines illustrate portions of the travel cosmetic kit that form no part of the claimed design.

The thin solid lines in the views have been provided for the purpose of illustrating the uniformity of the planar surfaces and the contour of the curved surfaces and are not a claimed surface pattern.

1 Claim, 6 Drawing Sheets



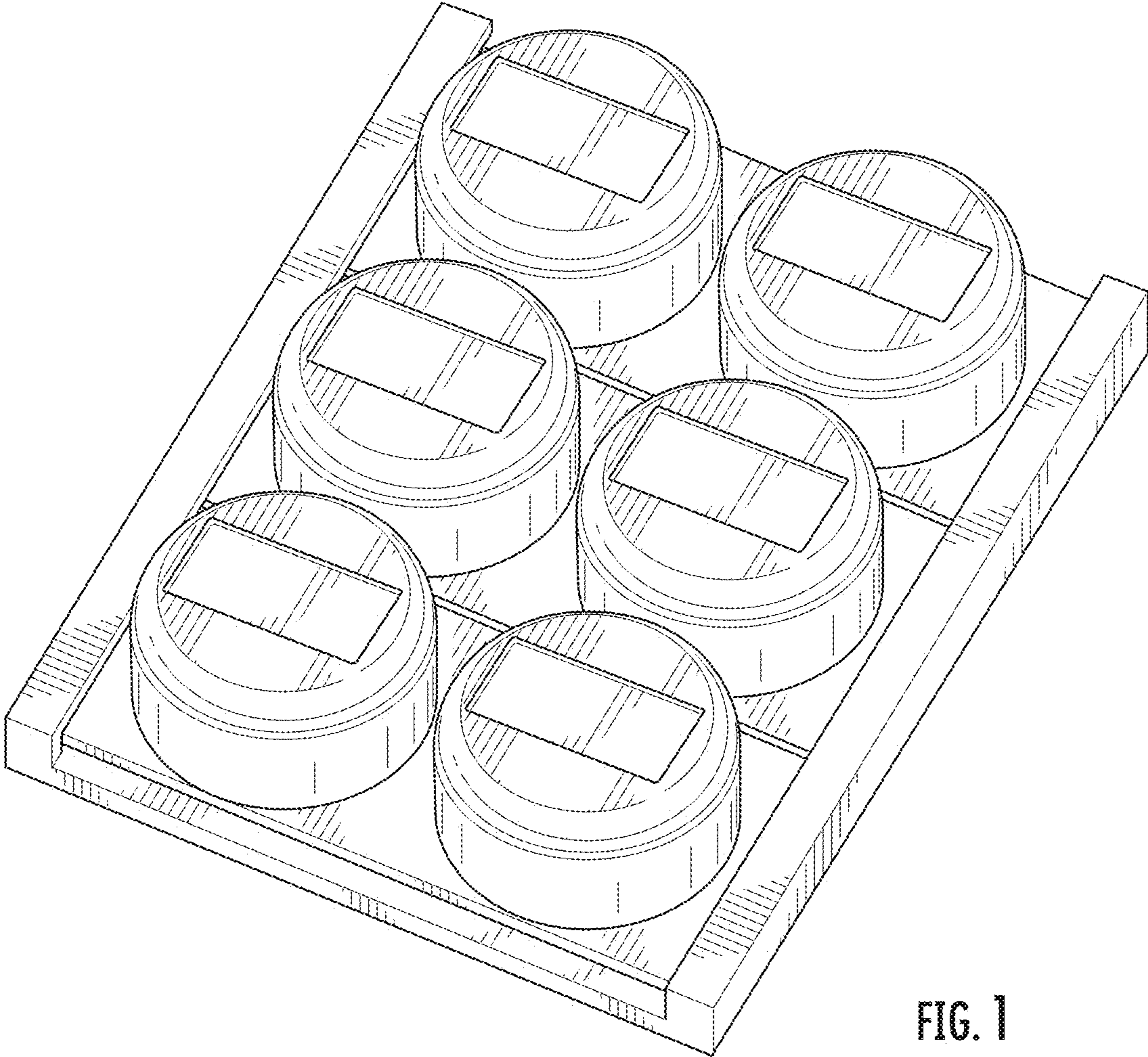


FIG. 1

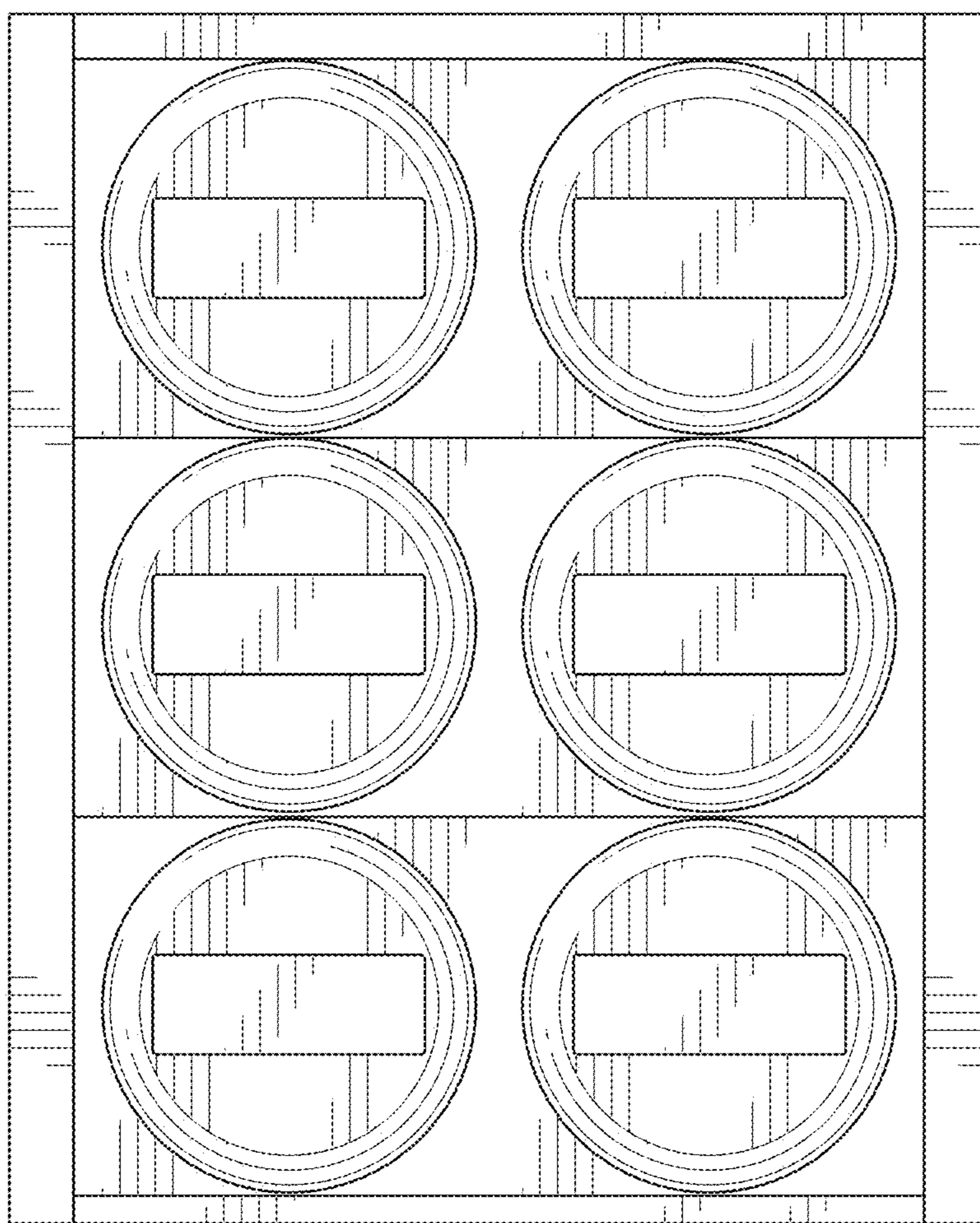


FIG. 2

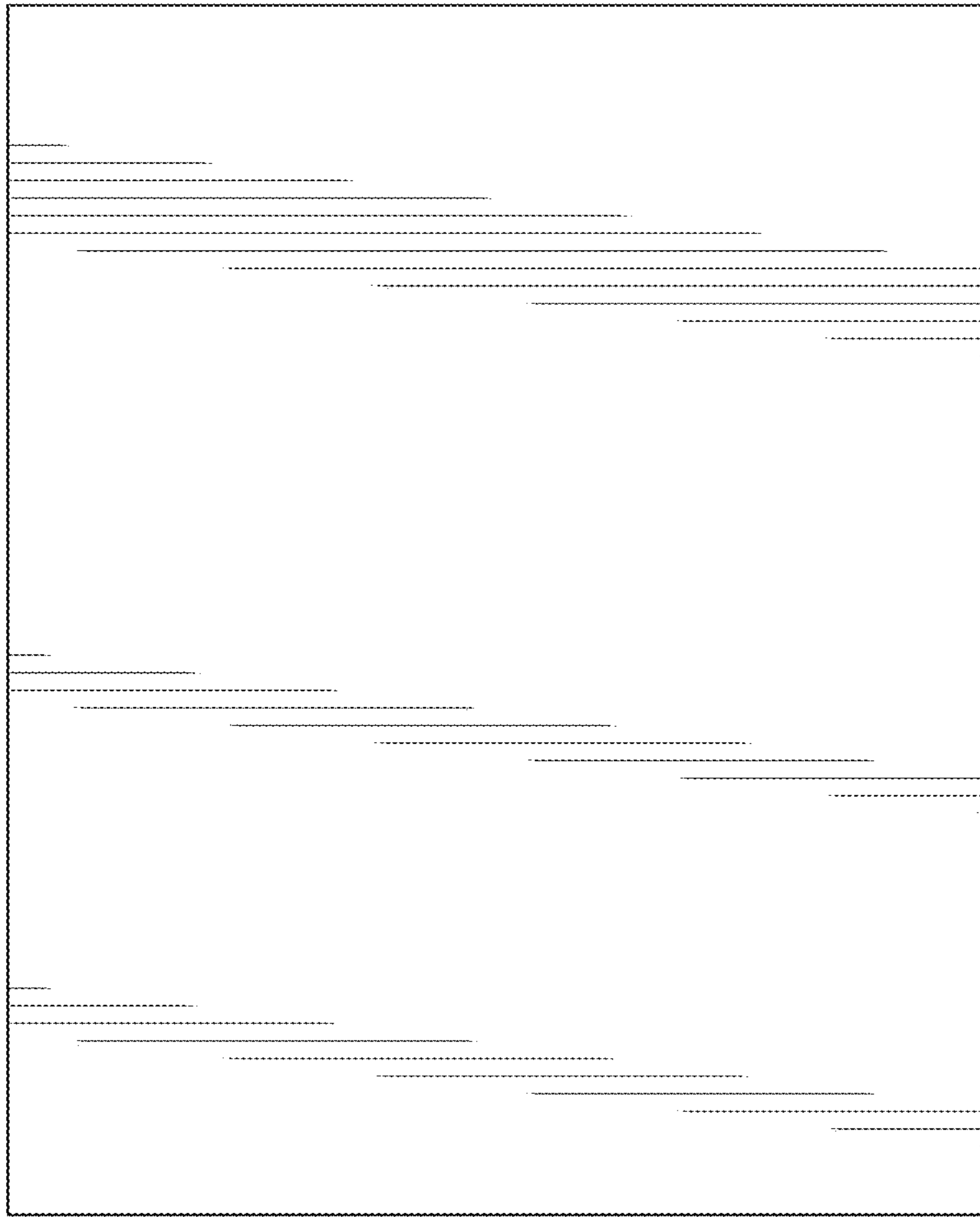


FIG. 3

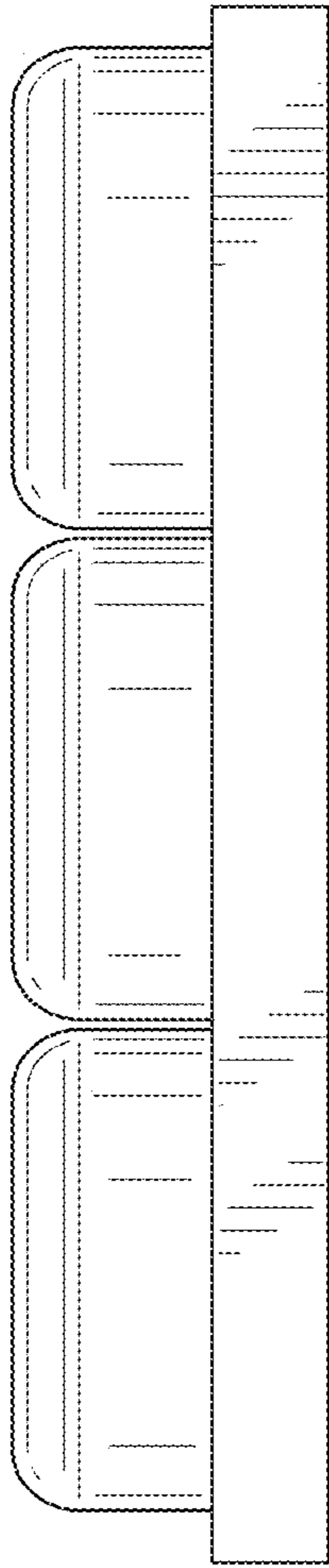


FIG. 4

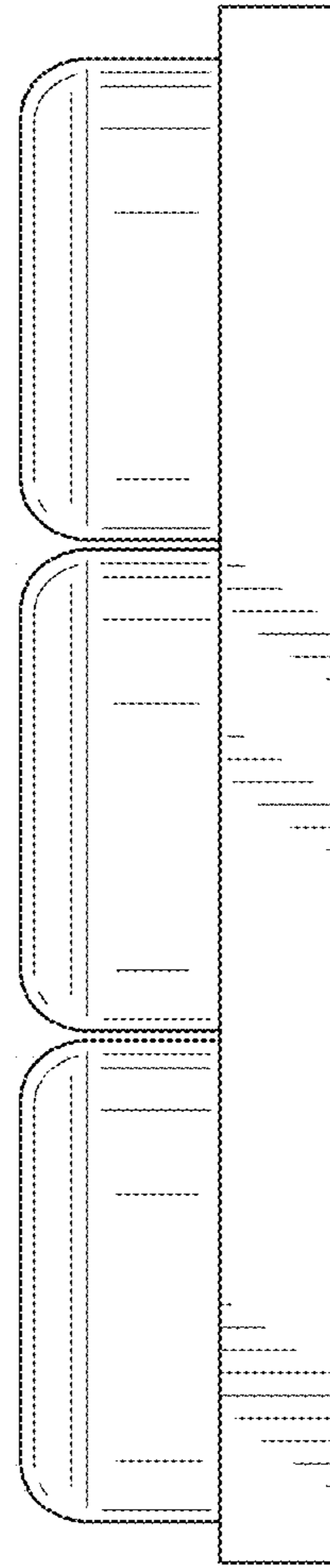


FIG. 5

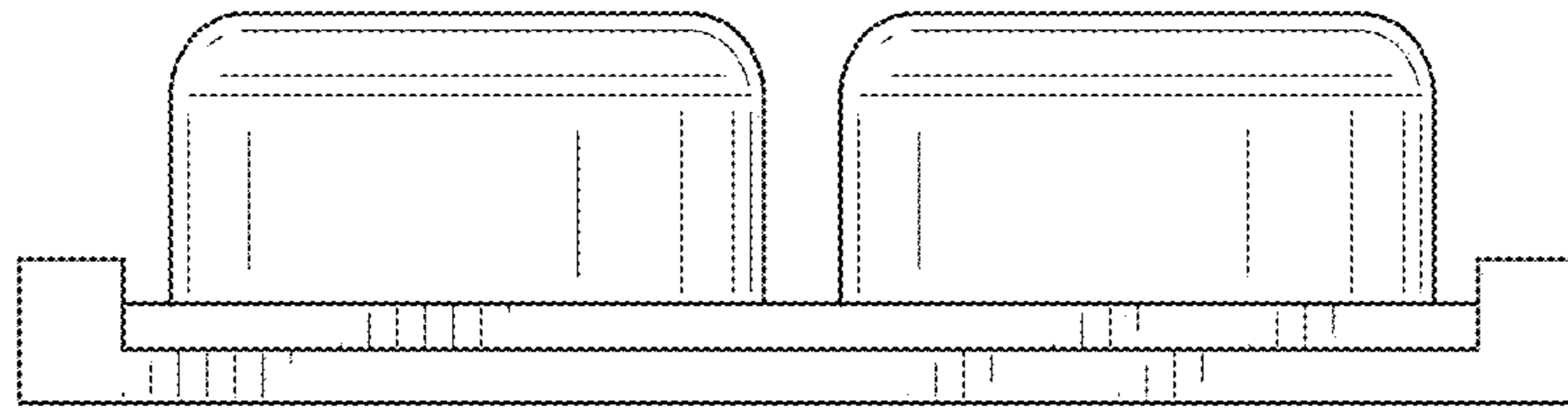


FIG. 6

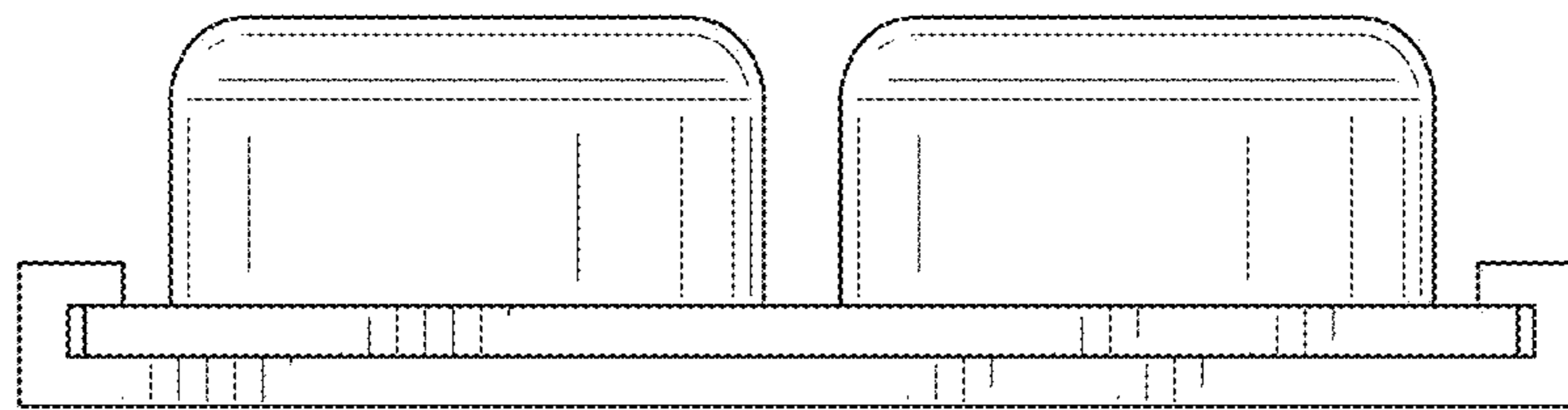


FIG. 7

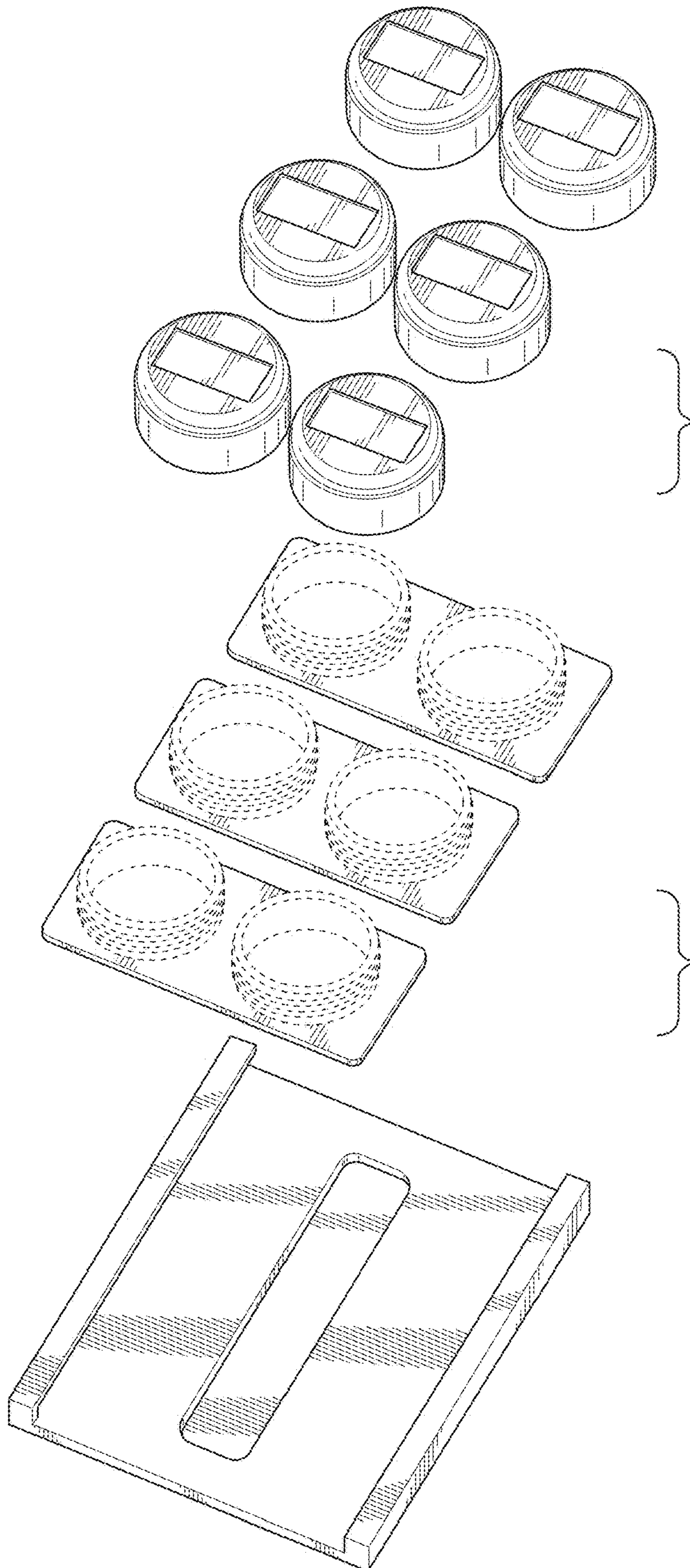


FIG. 8