



US00D916372S

(12) **United States Design Patent**
Kalb et al.

(10) **Patent No.:** **US D916,372 S**
(45) **Date of Patent:** **** Apr. 13, 2021**

(54) **HAIR TIE CONNECTOR**

(71) Applicant: **Sharon Kalb**, New York, NY (US)

(72) Inventors: **Sharon Kalb**, New York, NY (US);
Nisha Sawhney, New York, NY (US)

(73) Assignee: **Sharon Kalb**, Swiftwater, PA (US)

(**) Term: **15 Years**

(21) Appl. No.: **29/671,018**

(22) Filed: **Nov. 21, 2018**

(51) **LOC (13) Cl.** **28-03**

(52) **U.S. Cl.**
USPC **D28/43**

(58) **Field of Classification Search**
USPC D28/10, 21, 25, 27, 32, 33, 34, 35, 39,
D28/40, 41, 42, 43; D11/200, 212, 218,
D11/219, 231; D30/139, 153; D2/627,
D2/628, 633, 634, 636
CPC A45D 6/045; A45D 8/00; A45D 8/002;
A45D 8/004; A45D 8/006; A45D 8/008;
A45D 8/02; A45D 8/06; A45D 8/08;
A45D 8/10; A45D 8/12; A45D 8/14;
A45D 8/16; A45D 8/18; A45D 8/20;
A45D 8/22; A45D 8/24; A45D 8/26;
A45D 8/28; A45D 8/30; A45D 8/32

See application file for complete search history.

(56) **References Cited**

U.S. PATENT DOCUMENTS

D207,098 S * 3/1967 Andis D28/54
D456,743 S * 5/2002 Uehara D11/218
D506,851 S * 6/2005 Schmitz D28/35
D581,835 S * 12/2008 Yang D11/218
D650,720 S * 12/2011 Park D11/218
D690,476 S * 9/2013 Noel D30/158
D692,178 S * 10/2013 Scott D28/7
D750,530 S * 3/2016 VanHoutin D11/218

D783,899 S * 4/2017 Roh D28/36
D832,683 S * 11/2018 Belt D8/356
D860,857 S * 9/2019 Taylor D11/216
D864,787 S * 10/2019 Bessho D11/216
D879,659 S * 3/2020 Deng D11/218
D881,065 S * 4/2020 Maurer D11/216
D888,612 S * 6/2020 Spater D11/218
D890,022 S * 7/2020 Alcantra D11/218
2004/0238709 A1 * 12/2004 Lee B43L 1/00
248/316.1
2008/0083418 A1 * 4/2008 Glenn A45D 19/02
132/208
2009/0084393 A1 * 4/2009 Baker A45D 19/02
132/208

(Continued)

Primary Examiner — Dana K Weiland

Assistant Examiner — Messina L Smith

(74) *Attorney, Agent, or Firm* — Andrew F. Young; Nolte
Lackebach Siegel

(57) **CLAIM**

The ornamental design for a hair tie connector, as shown and described.

DESCRIPTION

FIG. 1 is a front top perspective view of the hair tie connector.

FIG. 2 is a rear bottom perspective view of FIG. 1.

FIG. 3 is a top view of FIG. 1.

FIG. 4 is a bottom view of FIG. 1.

FIG. 5 is a right side elevation view of FIG. 1.

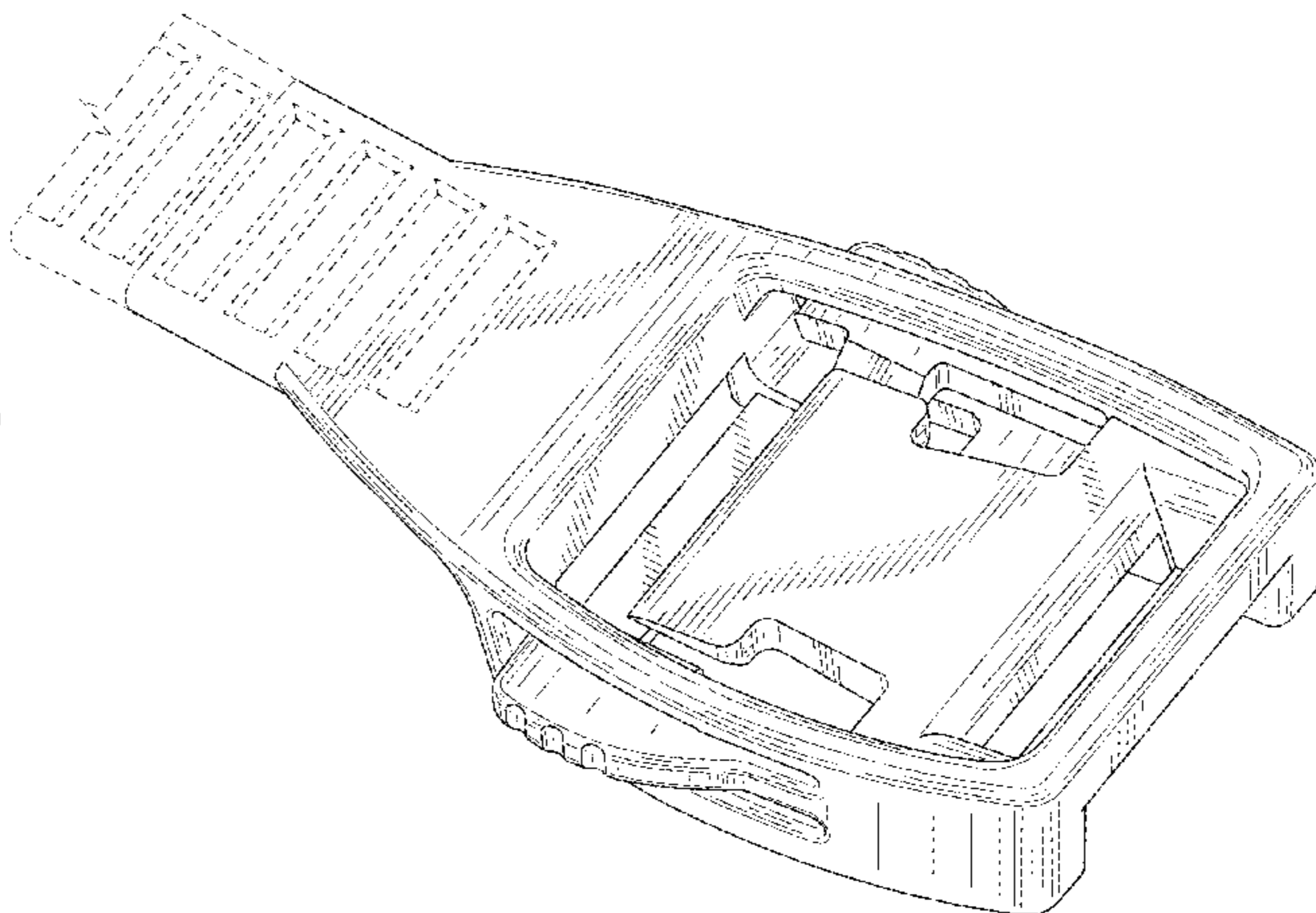
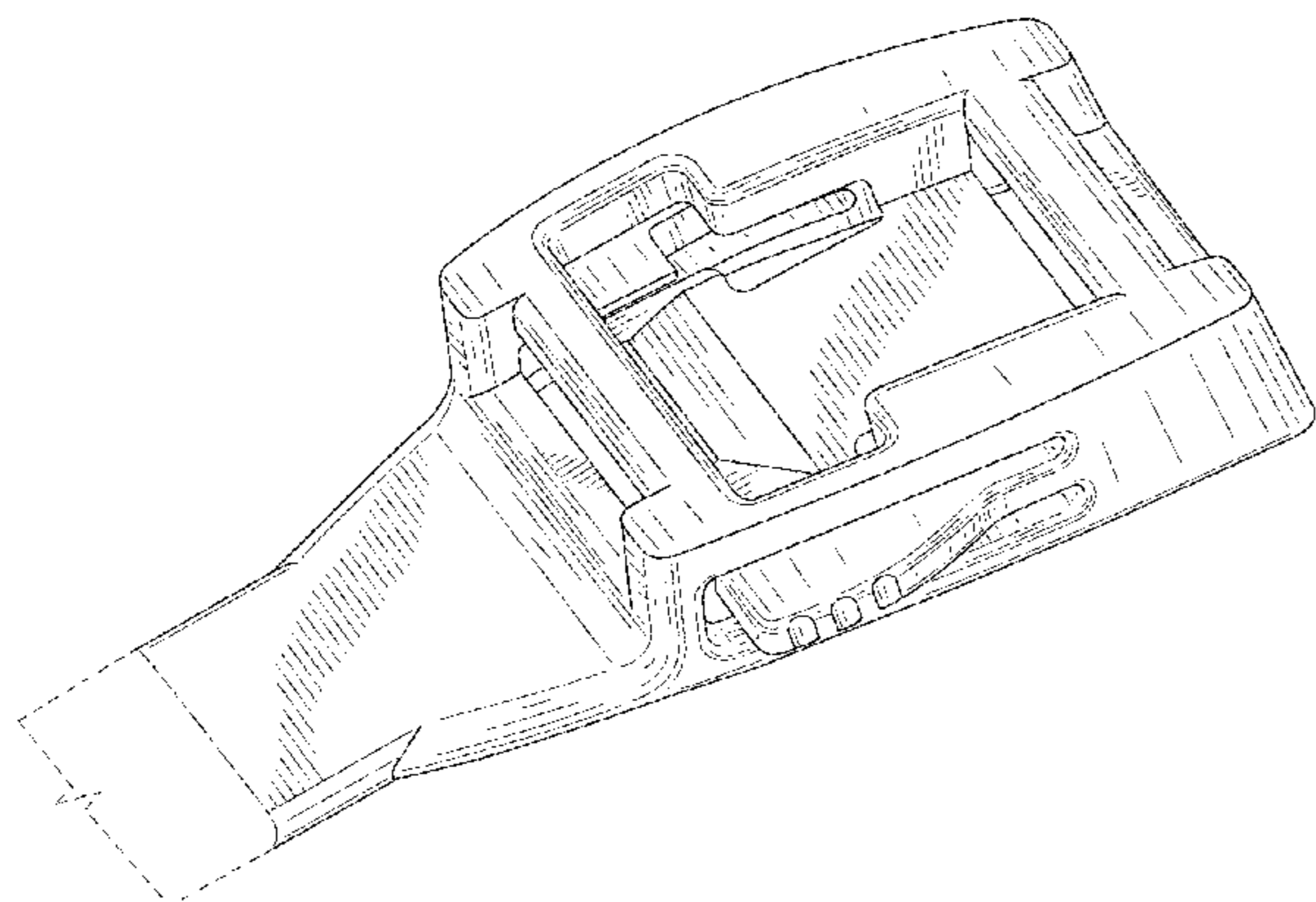
FIG. 6 is a left side elevation view of FIG. 1.

FIG. 7 is a rear elevation view of FIG. 1; and,

FIG. 8 is a front elevation view of FIG. 1.

The dash-dash broken lines in the drawings depict portions of the hair tie connector that form no part of the claimed design. The dash-dot-dash broken lines show the boundaries of the claim and form no part of the claimed design. The surfaces are lightly lined for contour.

1 Claim, 7 Drawing Sheets



(56)

References Cited

U.S. PATENT DOCUMENTS

2011/0267408 A1* 11/2011 Aoi B41J 2/17513
347/86

* cited by examiner

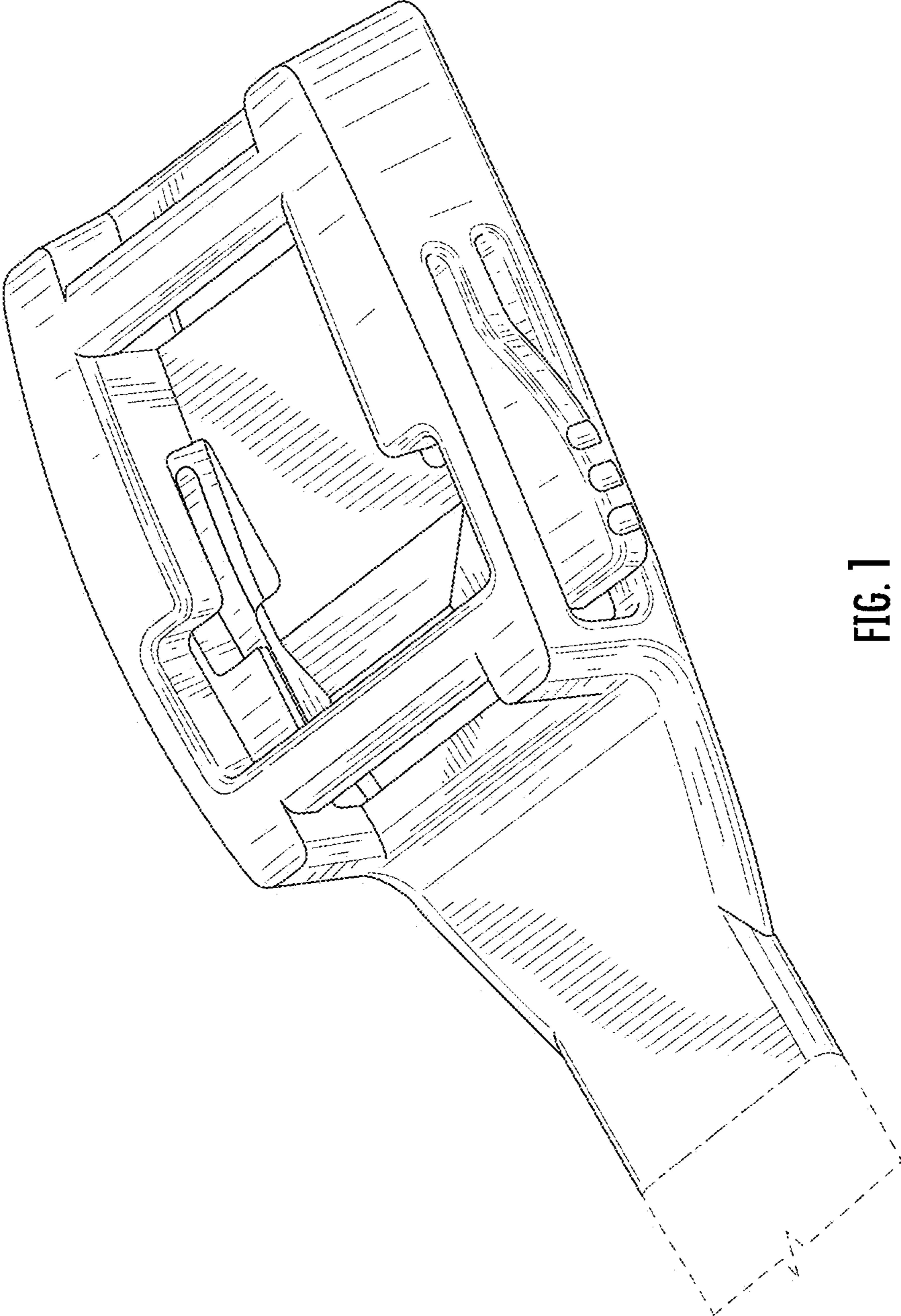


FIG. 1

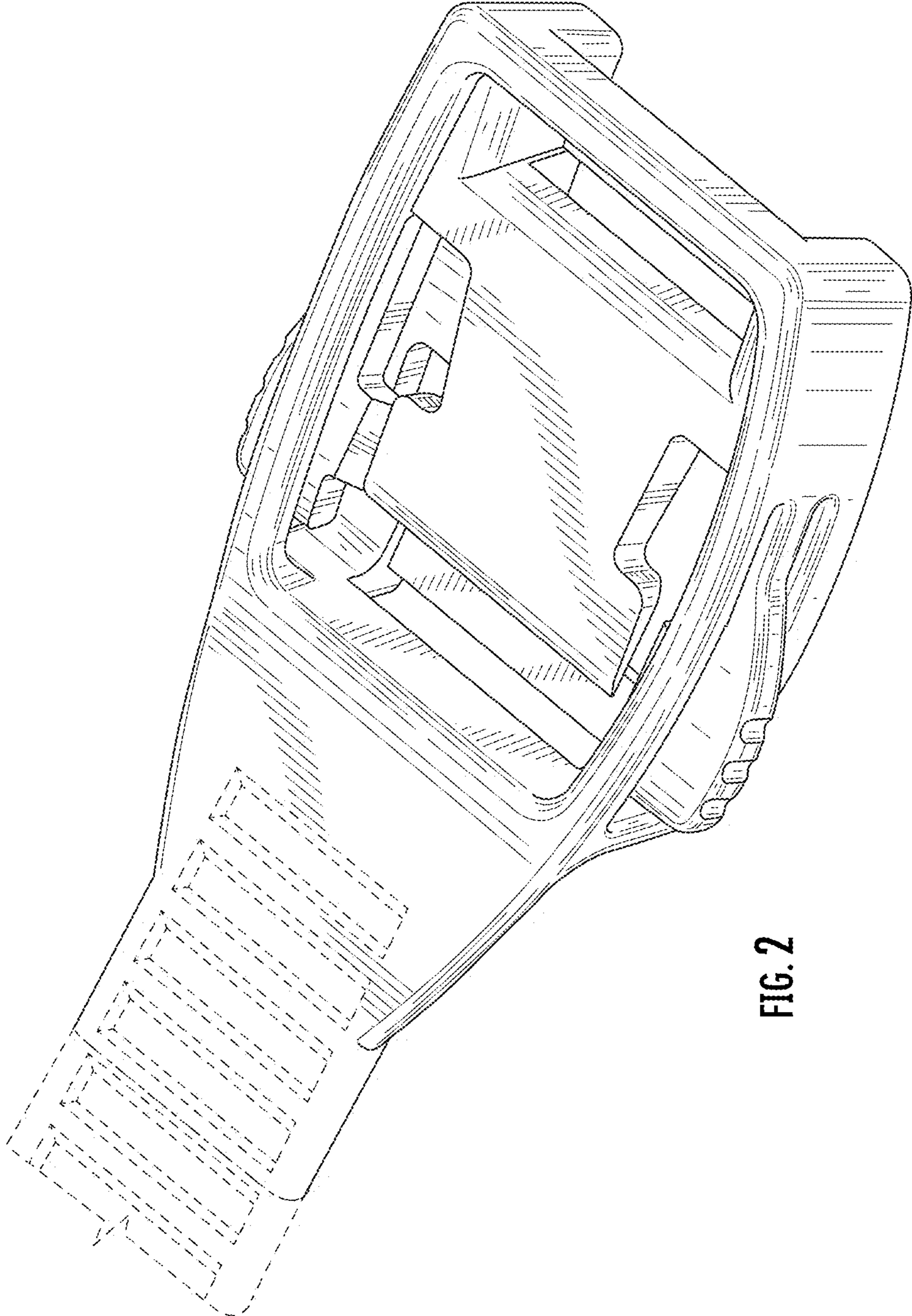


FIG. 2

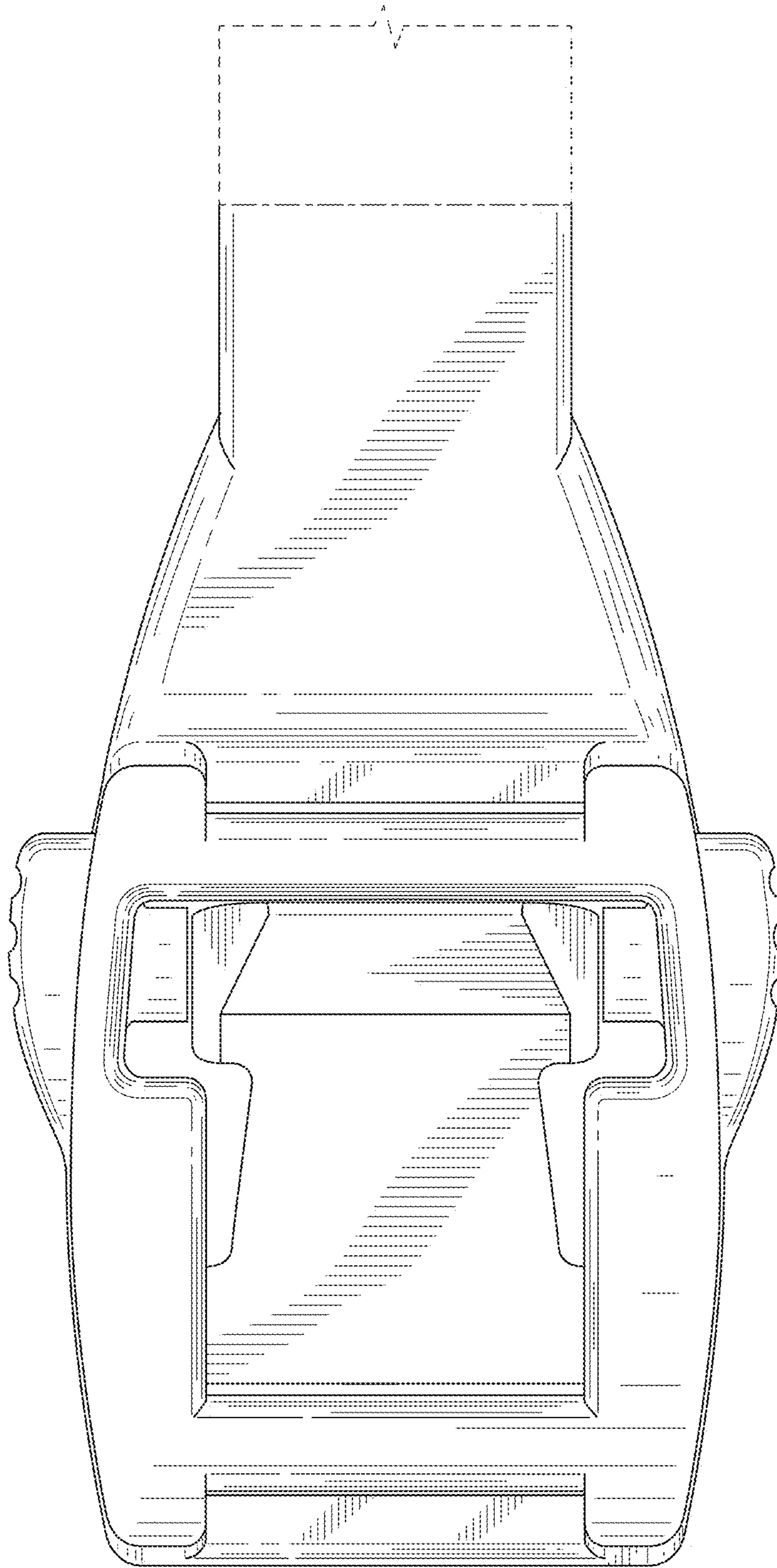


FIG. 3

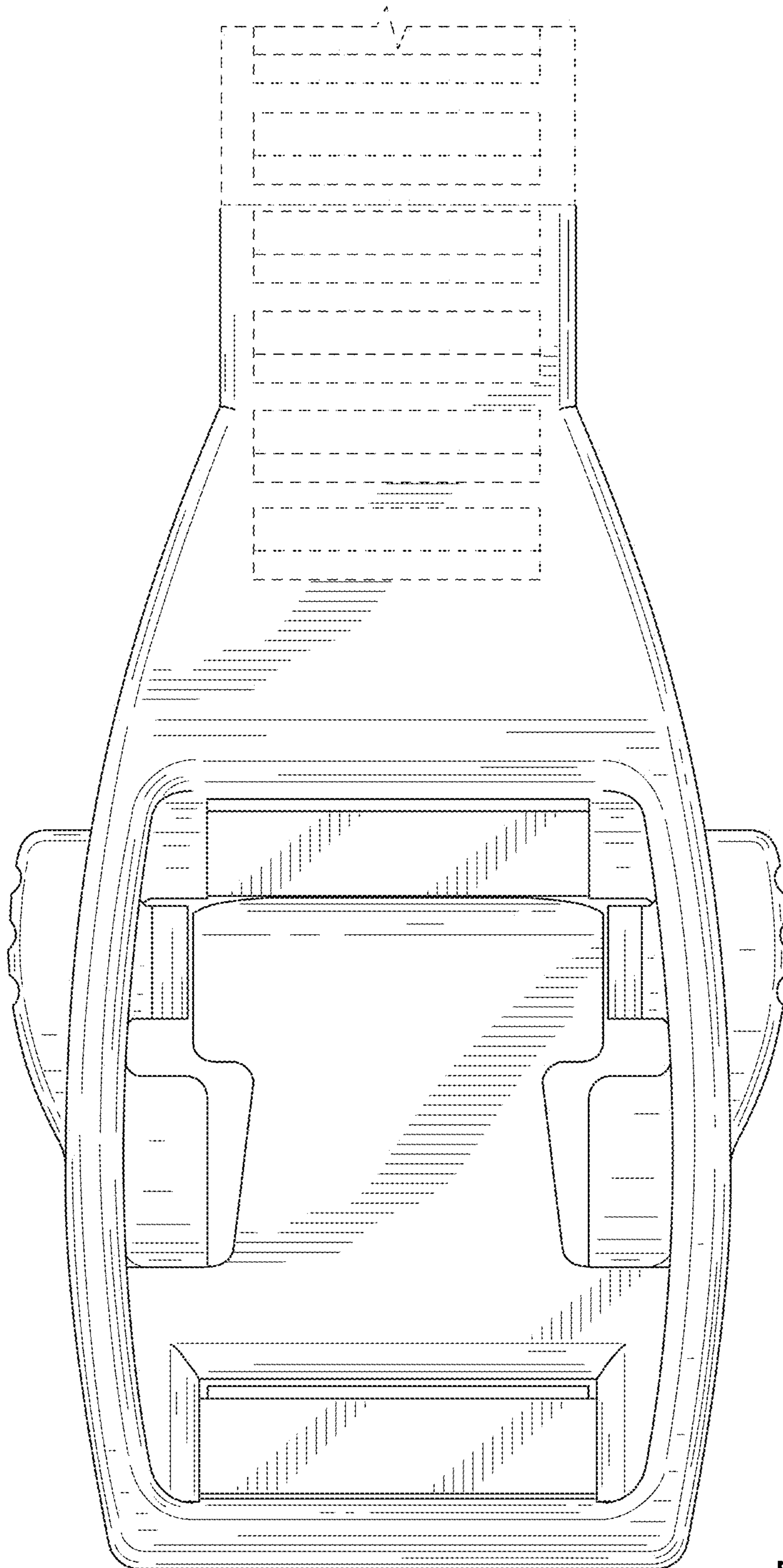


FIG. 4

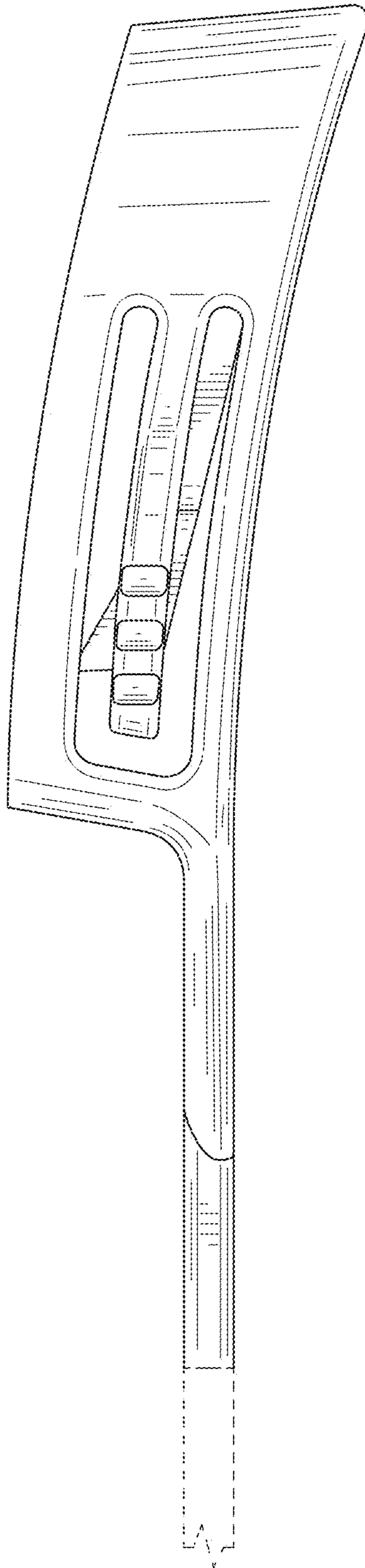


FIG. 5

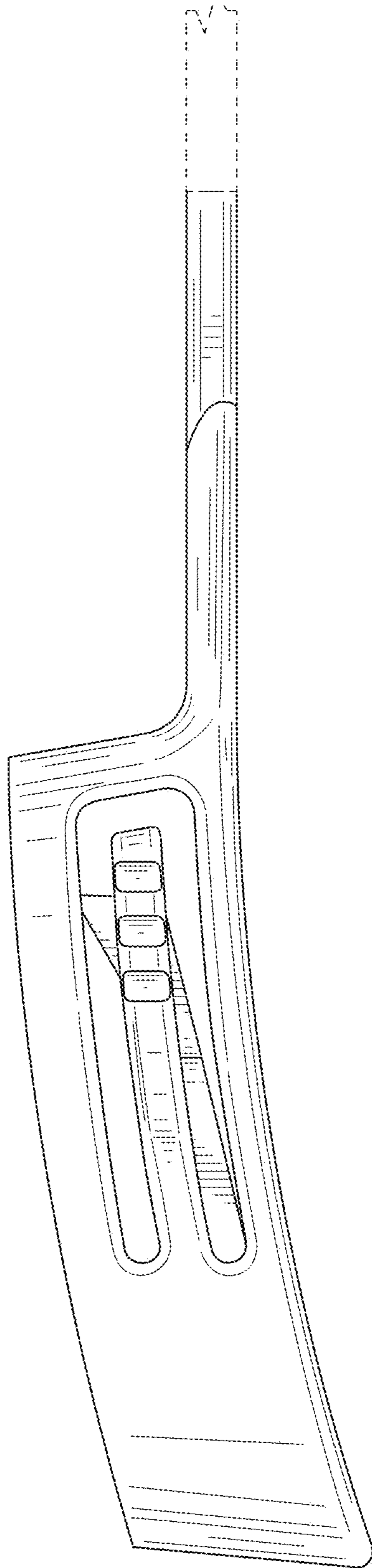


FIG. 6

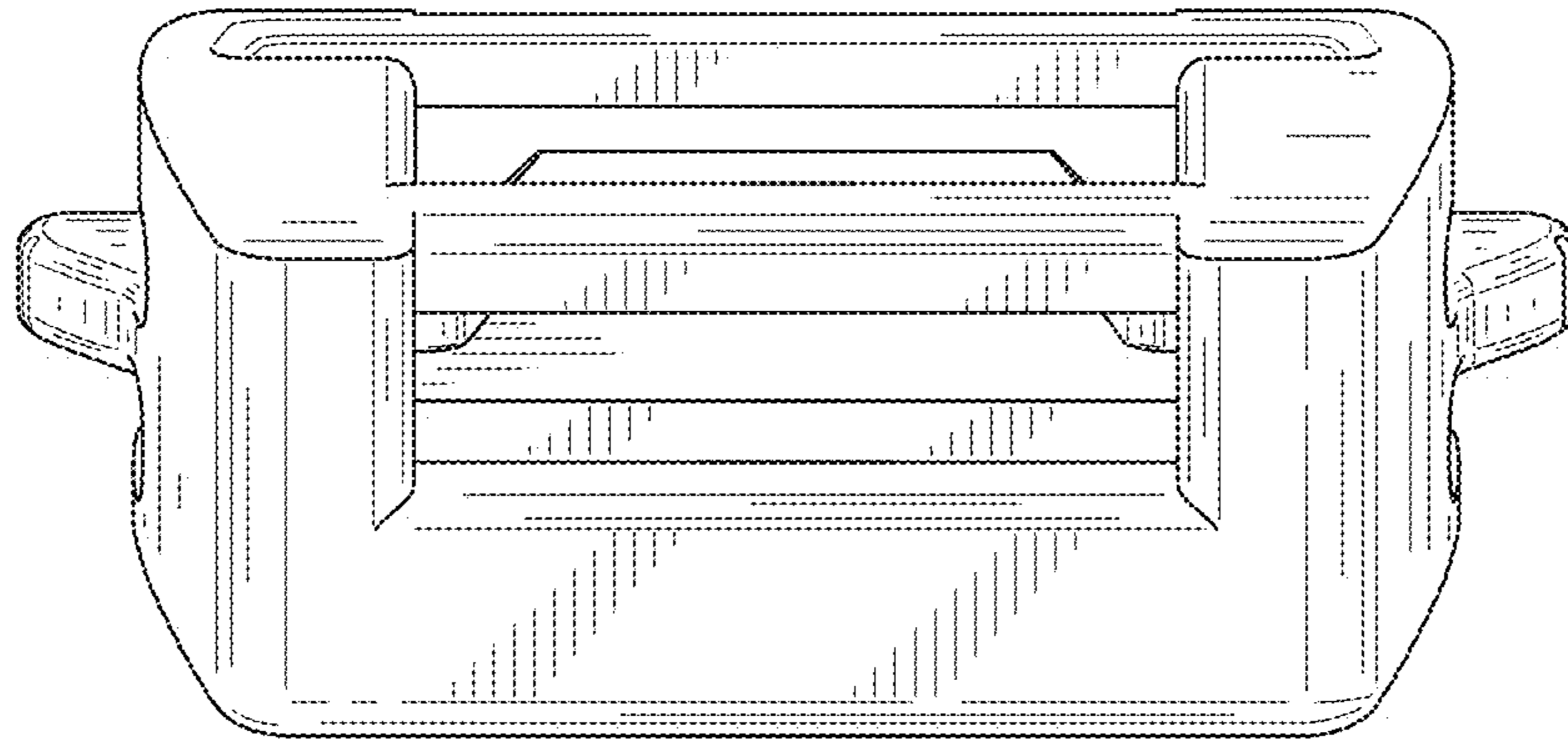


FIG. 7

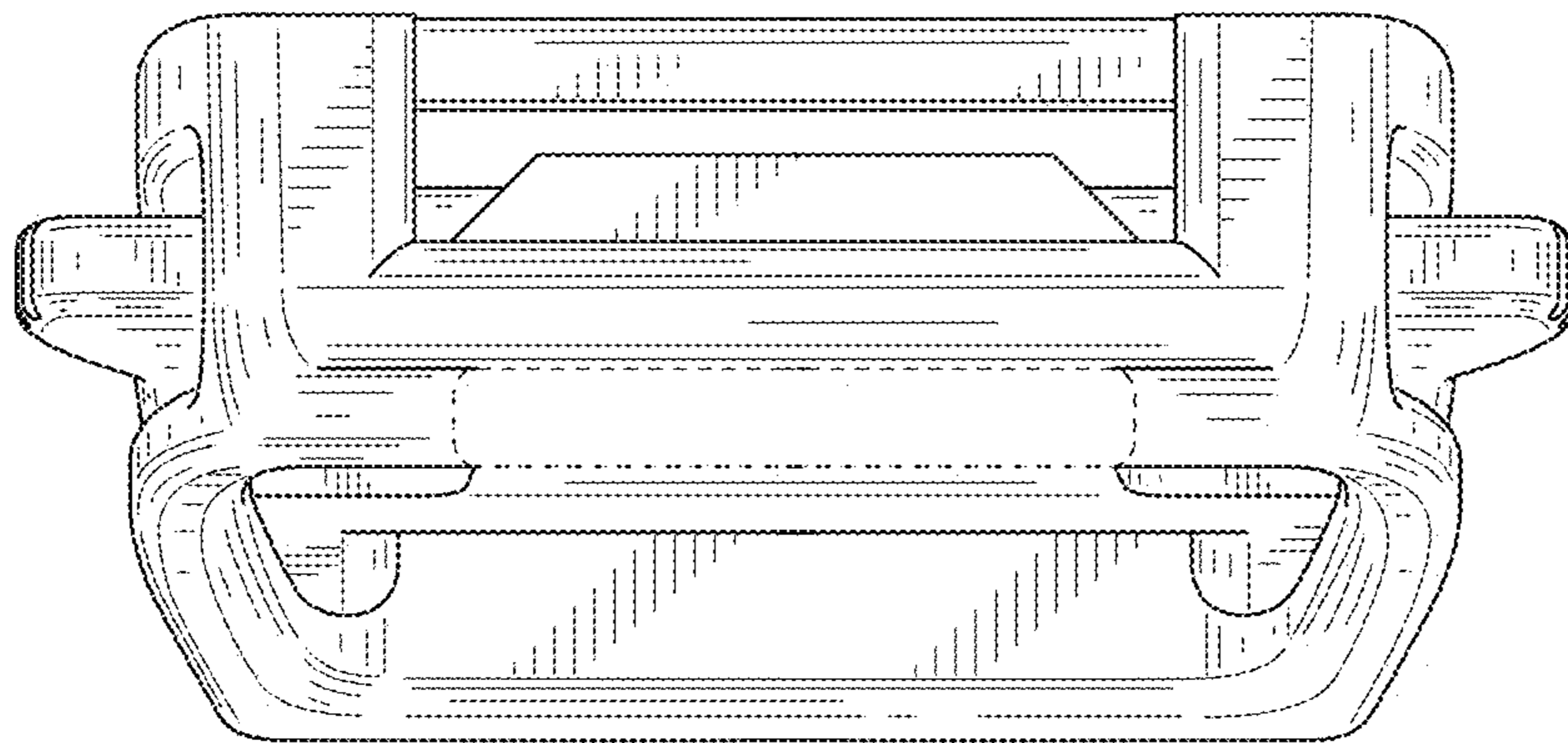


FIG. 8