



US00D916371S

(12) **United States Design Patent**  
**Chou**

(10) **Patent No.:** **US D916,371 S**  
(45) **Date of Patent:** **\*\* Apr. 13, 2021**

(54) **EYELASH PERM ROD**

(71) Applicant: **Eric Chou**, Lake Forest, CA (US)

(72) Inventor: **Eric Chou**, Lake Forest, CA (US)

(\*\*) Term: **15 Years**

(21) Appl. No.: **29/715,149**

(22) Filed: **Nov. 27, 2019**

(51) **LOC (13) Cl.** ..... **28-03**

(52) **U.S. Cl.**  
USPC ..... **D28/37**

(58) **Field of Classification Search**  
USPC ..... D28/7, 9, 10, 11, 35, 36, 37, 38, 99  
CPC ..... A41G 5/02; A45D 2/48  
See application file for complete search history.

(56) **References Cited**

**U.S. PATENT DOCUMENTS**

- 4,589,432 A \* 5/1986 Honda ..... A45D 2/48  
132/217
- D449,408 S \* 10/2001 McMillan ..... D28/36
- 7,322,366 B2 \* 1/2008 Cho ..... A45D 2/48  
132/217
- D661,017 S \* 5/2012 Ahn ..... D28/7
- 2002/0020423 A1 \* 2/2002 Kuroda ..... A45D 2/48  
132/217
- 2007/0012330 A1 \* 1/2007 Chien ..... A45D 2/48  
132/217
- 2007/0272267 A1 \* 11/2007 Wagner ..... A45D 2/48  
132/217
- 2017/0354237 A1 \* 12/2017 Caulier ..... A45D 40/26
- 2017/0360177 A1 \* 12/2017 Sanchez ..... A45D 2/48

**FOREIGN PATENT DOCUMENTS**

JP D1644938 \* 1/2019

**OTHER PUBLICATIONS**

Elleebana Silicone Rods Lash Perm Accessories [online], [site visited Dec. 2, 2020]. Available from internet, URL:<<https://www.the-lash-shop.com/products/elleebana-silicone-rods-lg-xl-combo-lash-perm-accessories>> (Year: 2020).\*

Libeauty Lash Lift Pads Rods [online], [site visited Dec. 2, 2020]. Available from internet, URL:<[https://www.amazon.com/Libeauty-Eyelash-Silicone-Colorful-Reusable/dp/B07WCPWVZX/ref=sr\\_1\\_5?dchild=1&keywords=Eyelash%2BPerm%2BRod&qid=1606938120&sr=8-5&th=1](https://www.amazon.com/Libeauty-Eyelash-Silicone-Colorful-Reusable/dp/B07WCPWVZX/ref=sr_1_5?dchild=1&keywords=Eyelash%2BPerm%2BRod&qid=1606938120&sr=8-5&th=1)> (Year: 2020).\*

\* cited by examiner

*Primary Examiner* — Cynthia Ramirez  
*Assistant Examiner* — Xavier Marti-Santos  
(74) *Attorney, Agent, or Firm* — John D. Tran; Rhema Law Group

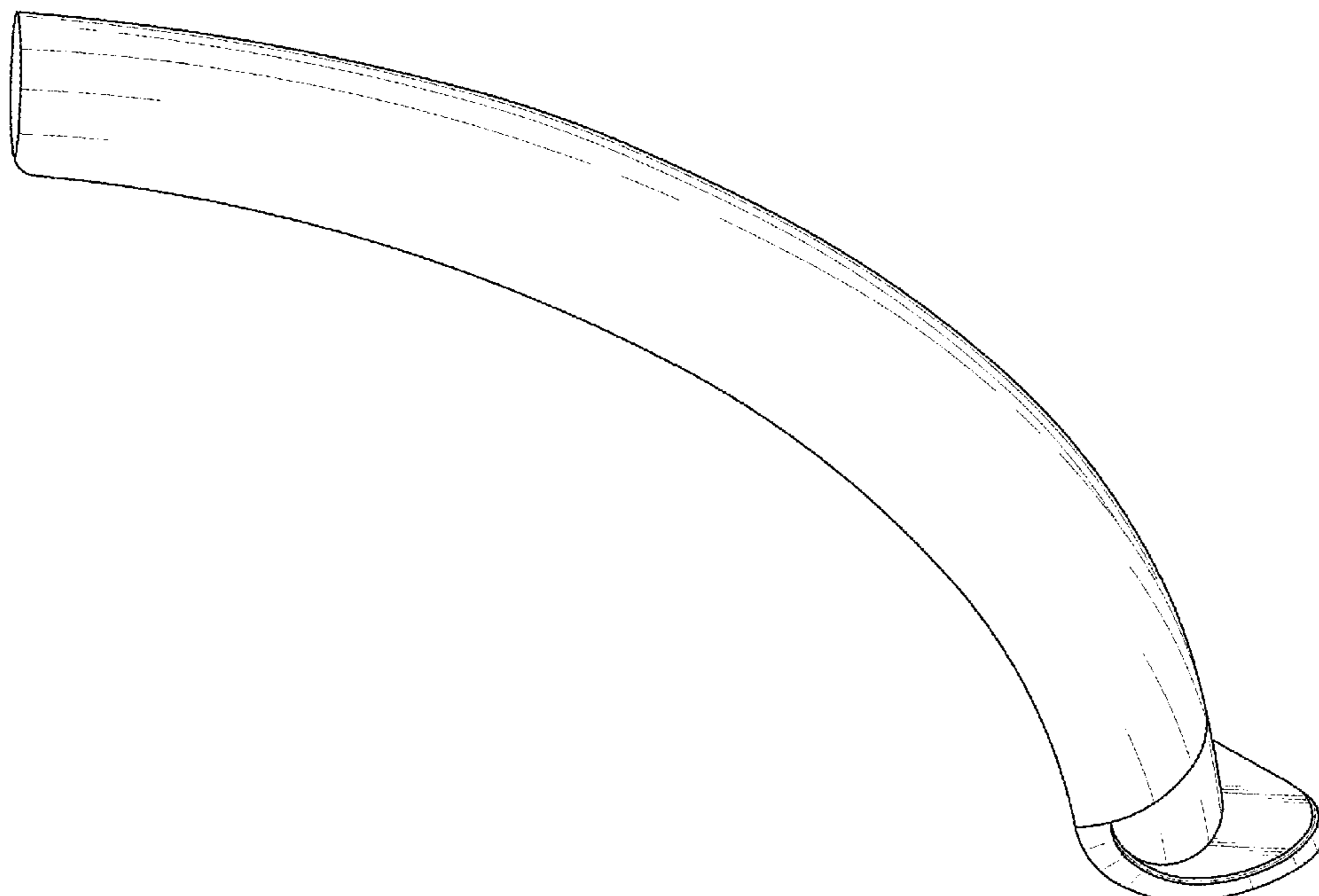
(57) **CLAIM**

The ornamental design for an eyelash perm rod, as shown and described.

**DESCRIPTION**

FIG. 1 is perspective front view of an eyelash perm rod showing my new design;  
FIG. 2 is a left view thereof;  
FIG. 3 is a right view thereof;  
FIG. 4 is a top view thereof;  
FIG. 5 is a bottom view thereof;  
FIG. 6 is a back view thereof; and,  
FIG. 7 is a front view thereof.  
The broken lines showing portions of the eyelash perm rod form no part of the claimed design.

**1 Claim, 6 Drawing Sheets**



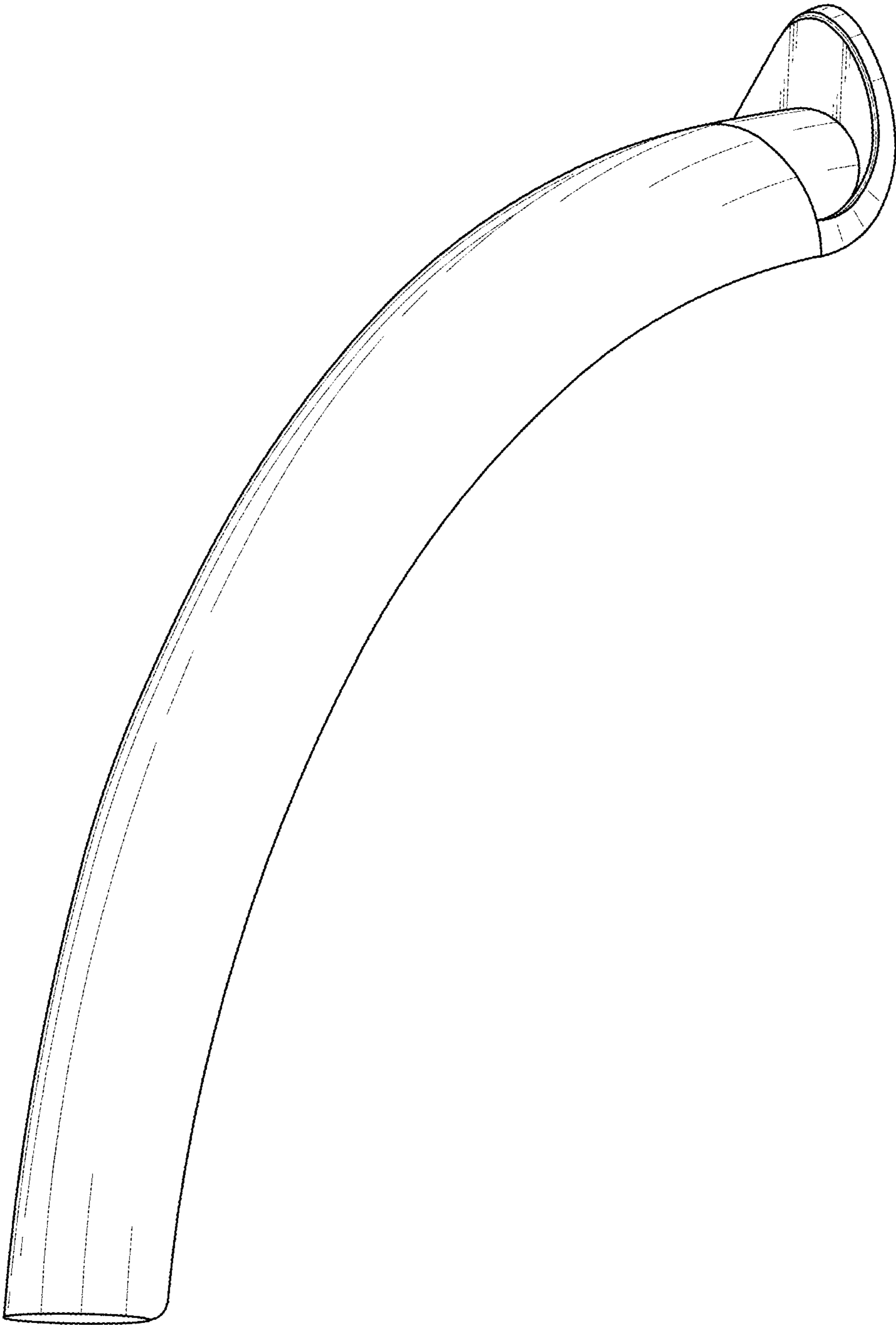


FIG. 1

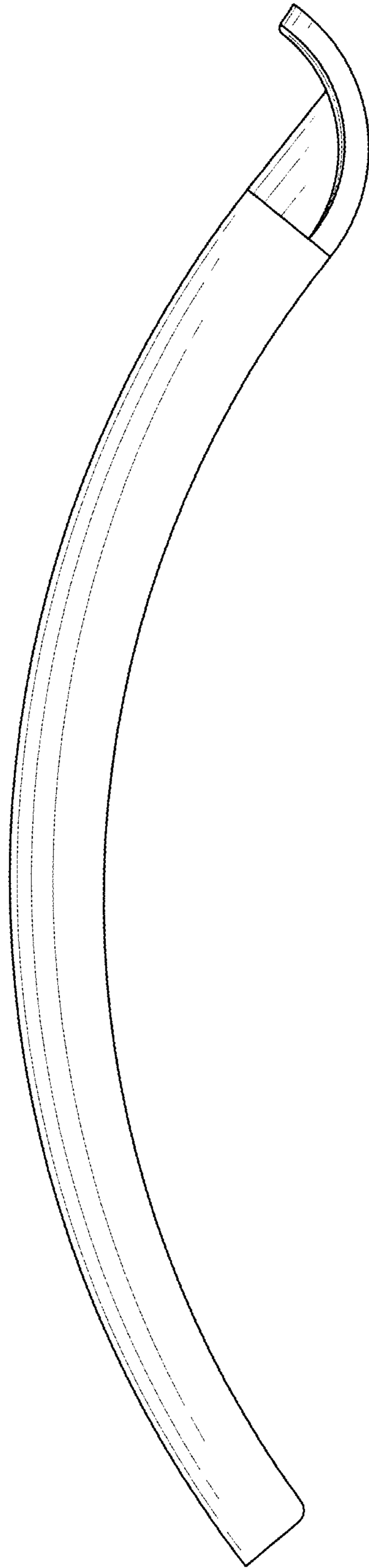


FIG. 2

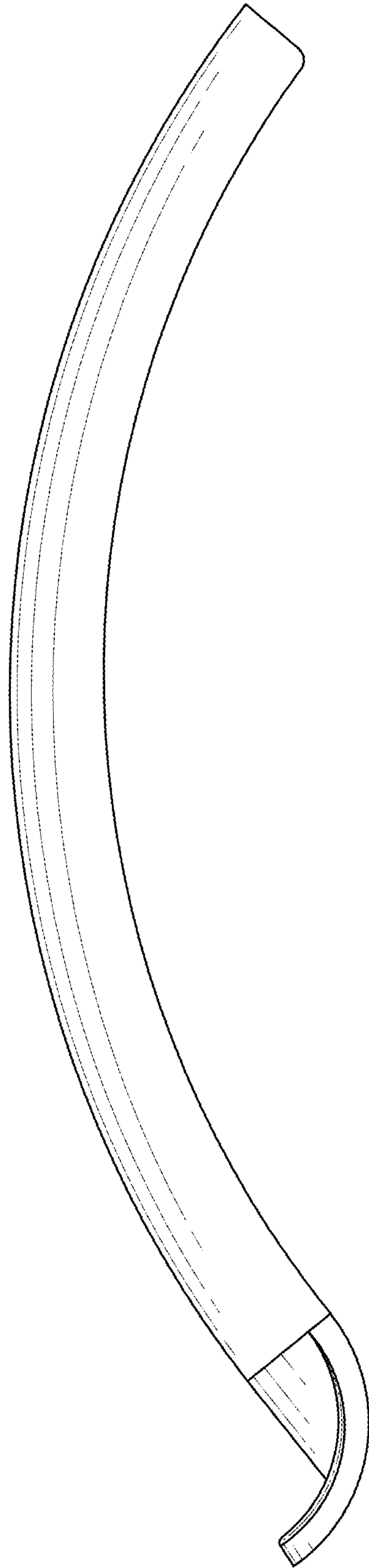


FIG. 3

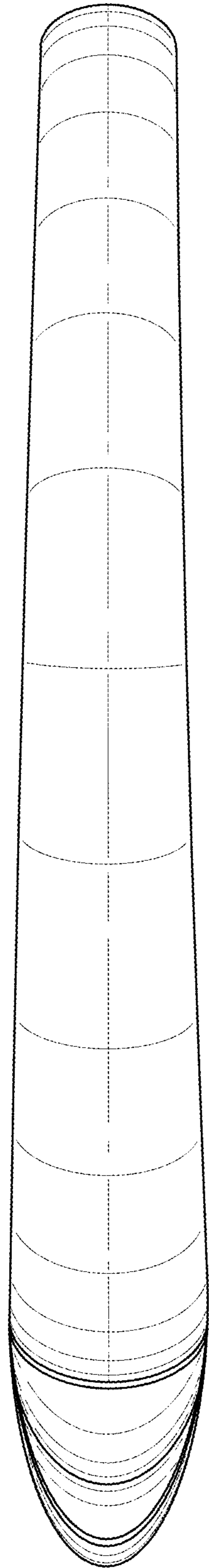


FIG. 4

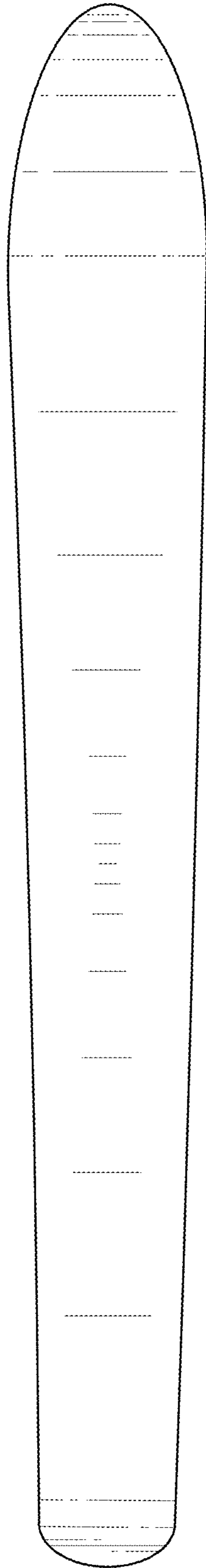


FIG. 5

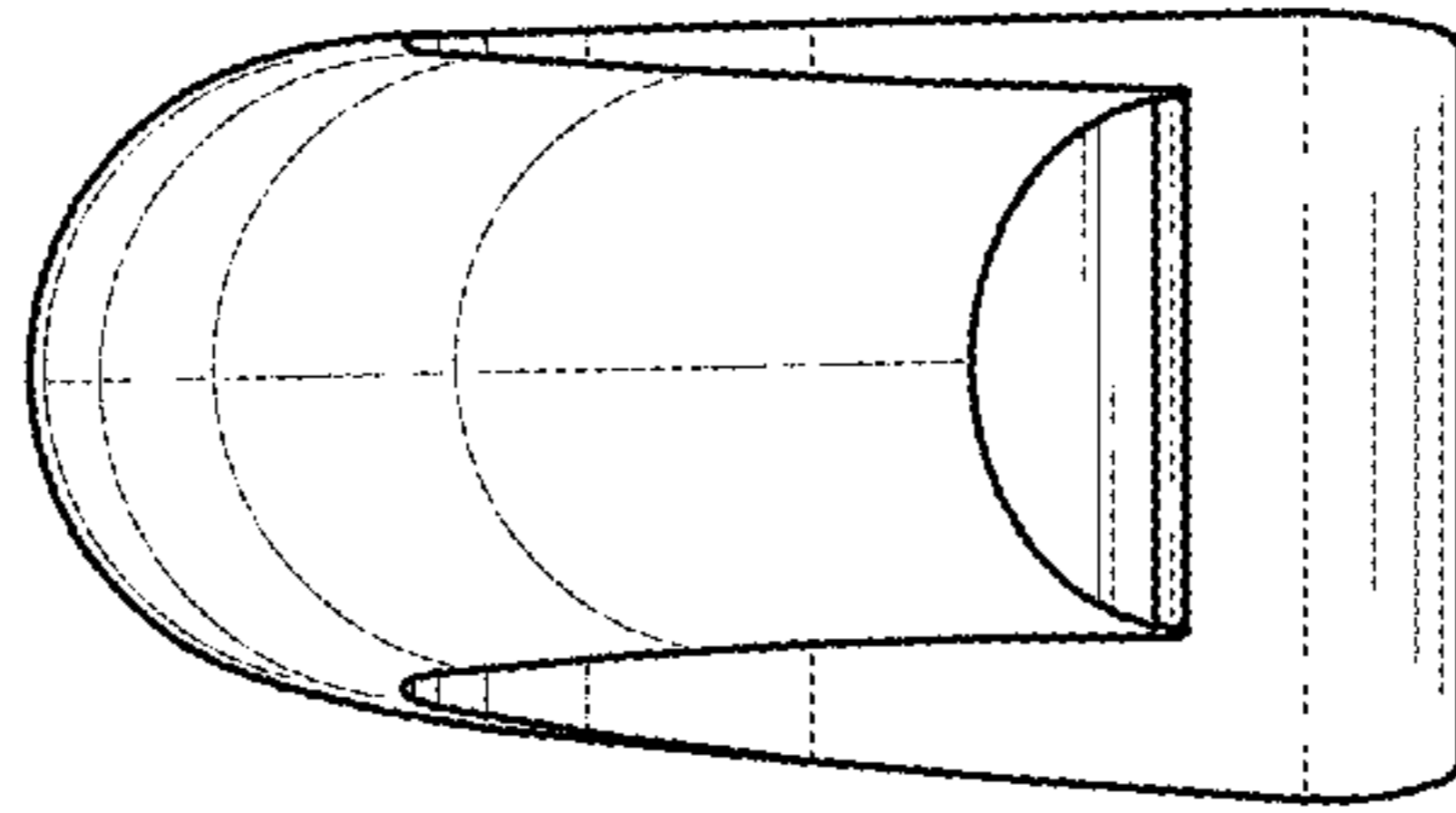


FIG. 6

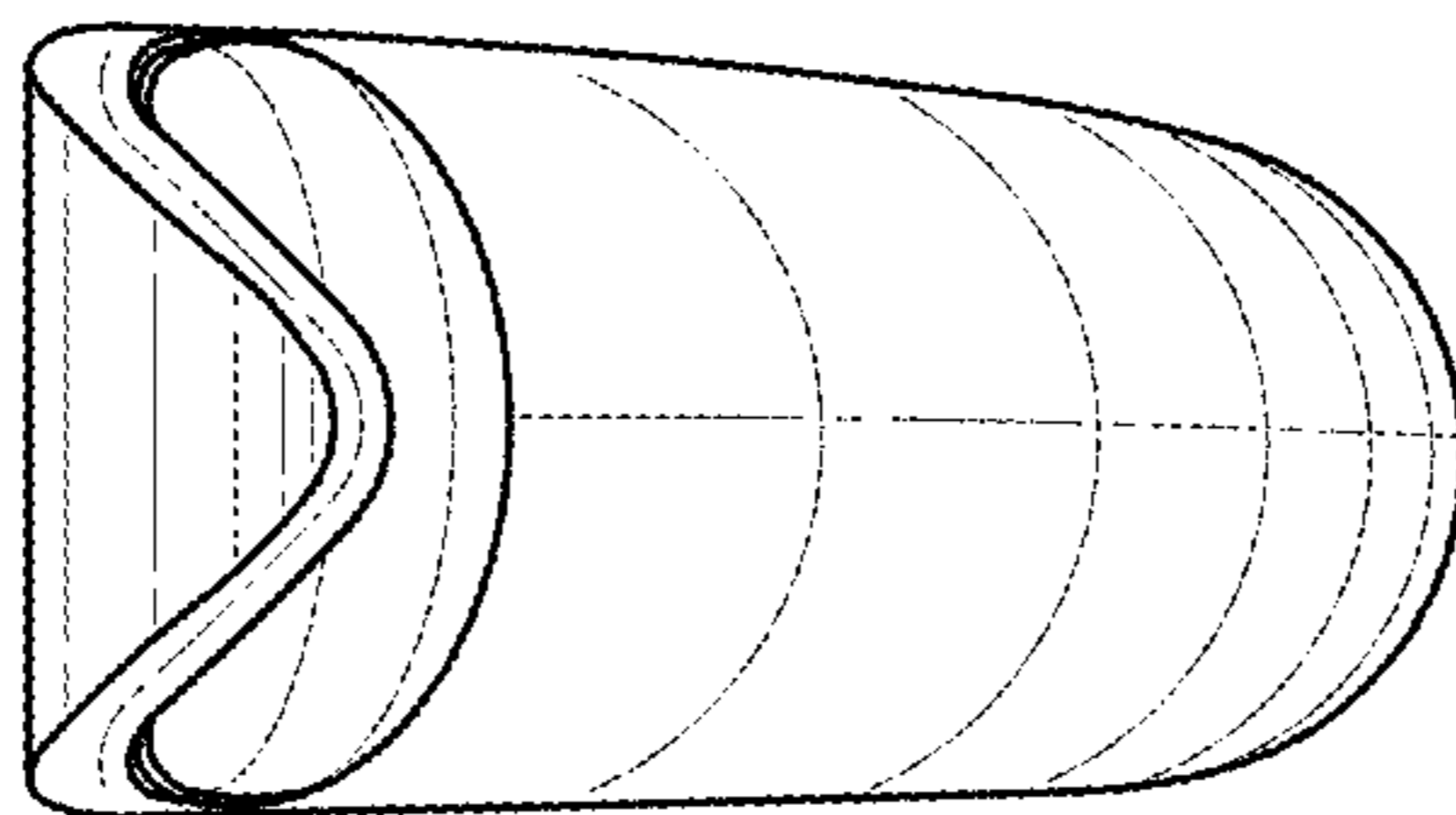


FIG. 7