



US00D916370S

(12) **United States Design Patent**
Zhang

(10) **Patent No.:** **US D916,370 S**

(45) **Date of Patent:** **** Apr. 13, 2021**

(54) **HAIR DRYING AND VOLUMIZING BRUSH**

(71) Applicant: **Zhaojie Zhang**, Changde (CN)

(72) Inventor: **Zhaojie Zhang**, Changde (CN)

(**) Term: **15 Years**

(21) Appl. No.: **29/721,214**

(22) Filed: **Jan. 18, 2020**

(51) **LOC (13) Cl.** **28-03**

(52) **U.S. Cl.**

USPC **D28/35**; D4/100; D4/133

(58) **Field of Classification Search**

USPC D4/100, 102, 121, 127, 128, 129, 130,
D4/132, 133, 134, 135, 136, 137, 138,
D4/199; D28/13, 24, 28, 25, 35

CPC .. A46B 5/02; A46B 9/005; A46B 9/02; A46B
9/023; A46B 9/06; A46B 15/0022; A46B
15/0024; A46B 15/003; A46B 5/0059;
A46B 15/0075; A46B 2200/1093; A46B
2200/104; A45D 2/001; A45D 2/002;
A45D 7/02; A45D 20/48

See application file for complete search history.

(56) **References Cited**

U.S. PATENT DOCUMENTS

D817,643 S *	5/2018	Valle	D4/100
D879,374 S *	3/2020	Liao	D28/13
D880,061 S *	3/2020	Liao	D28/15
D899,781 S *	10/2020	Liang	D4/100
D901,772 S *	11/2020	Huang	D28/35
D901,898 S *	11/2020	Zhanye	D4/102
D902,482 S *	11/2020	Koenemann	D28/35
D902,603 S *	11/2020	Zhanye	D4/102

D903,941 S *	12/2020	Koenemann	D28/35
2016/0100681 A1 *	4/2016	Smal	A45D 20/50 132/238
2018/0049533 A1 *	2/2018	Tang	A46B 9/023

FOREIGN PATENT DOCUMENTS

CN	304060220	*	2/2017
EM	006884490-0001	*	10/2019
EM	007463047-0001	*	1/2020
EM	007463047-0002	*	1/2020
GB	6080126	*	1/2020

OTHER PUBLICATIONS

Hot Tools Signature Series Ultimate Heated Brush Styler [on-line], [Original publication date unknown.] [Retrieved from the Internet Feb. 18, 2021], URL: <https://www.target.com/p/hot-tools-signature-series-ultimate-heated-brush-styler/-/A-79778866#ink=sametab> (Year: 2021).*

* cited by examiner

Primary Examiner — Karen E Eldridge Powers

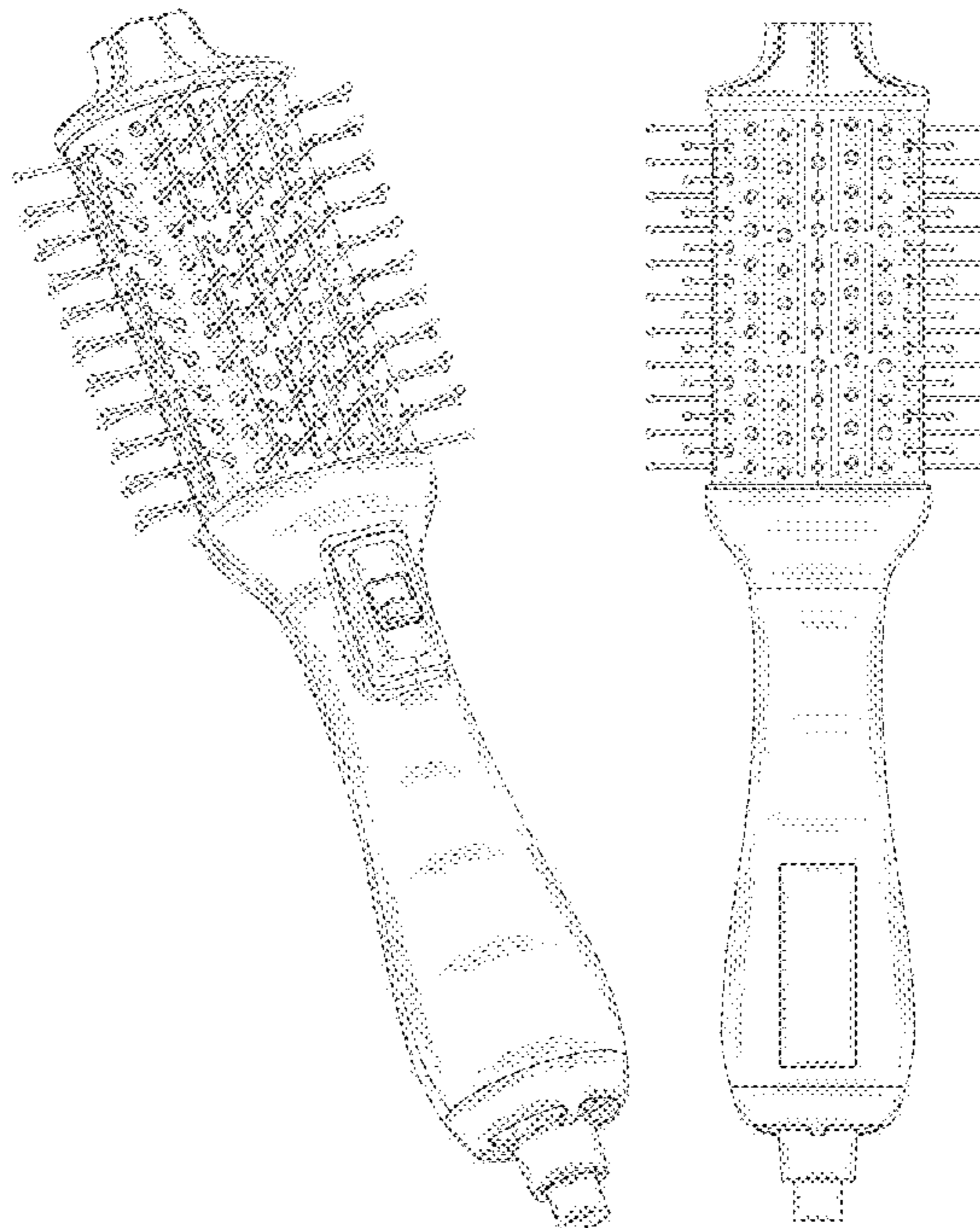
(57) **CLAIM**

The ornamental design for a hair drying and volumizing brush, as shown and described.

DESCRIPTION

FIG. 1 is a bottom, front and left side perspective view of a hair drying and volumizing brush showing my new design. FIG. 2 is a front elevational view thereof; FIG. 3 is a rear elevational view thereof; FIG. 4 is a left side elevational view thereof; FIG. 5 is a right side elevational view thereof; FIG. 6 is a top plan view thereof; and, FIG. 7 is a bottom plan view thereof.

1 Claim, 7 Drawing Sheets



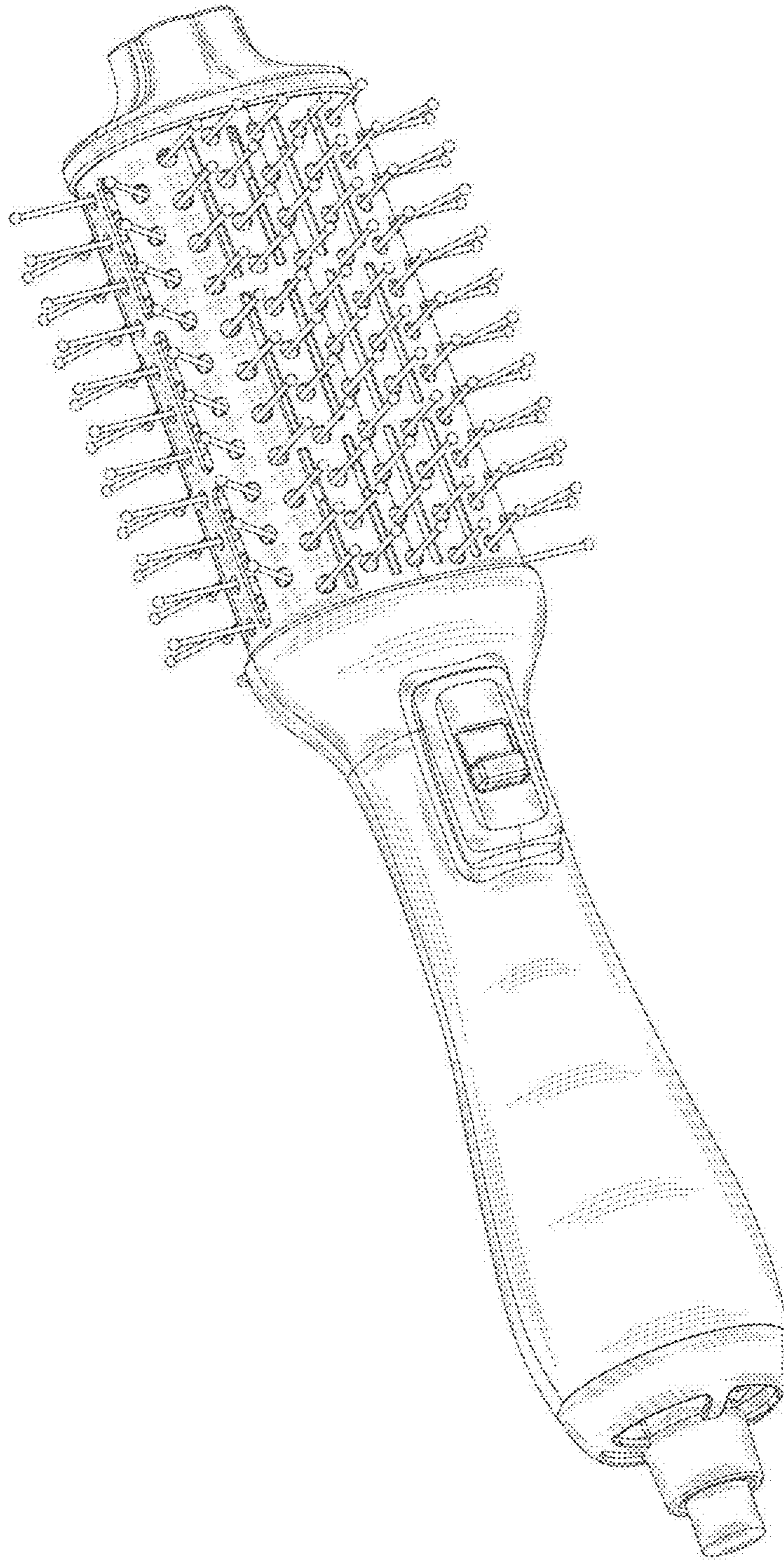


FIG .1

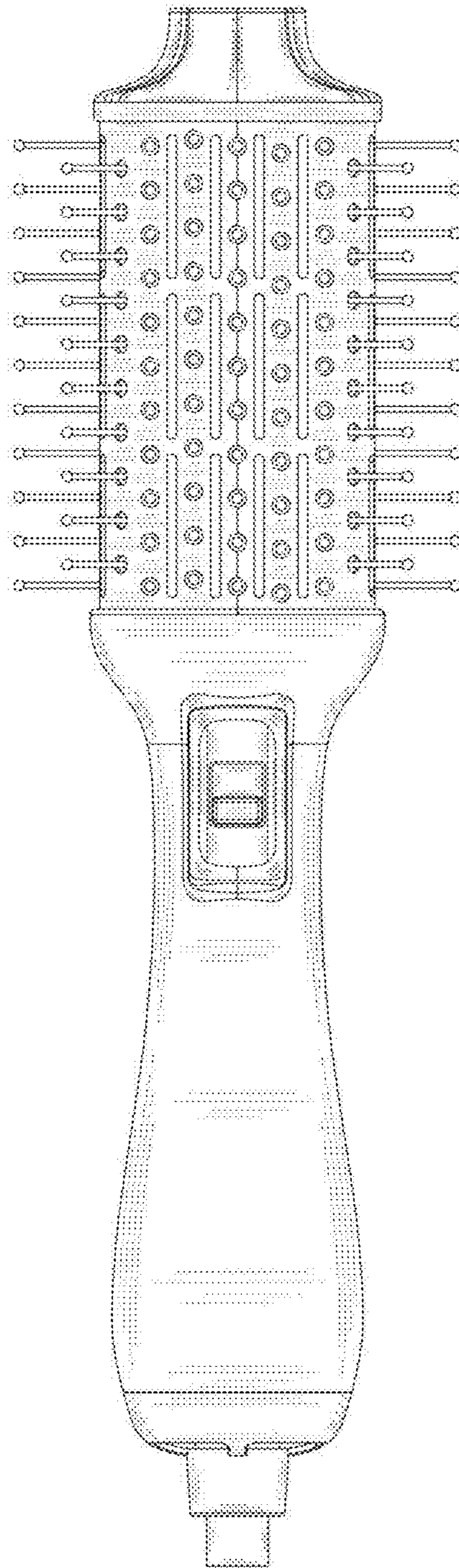


FIG .2

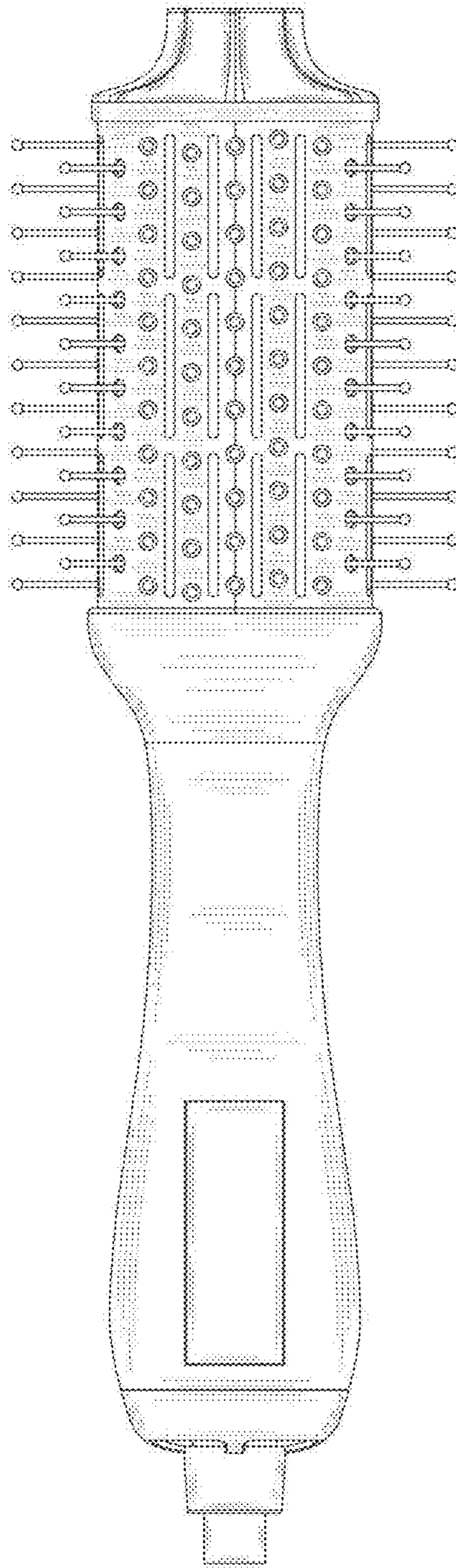


FIG .3

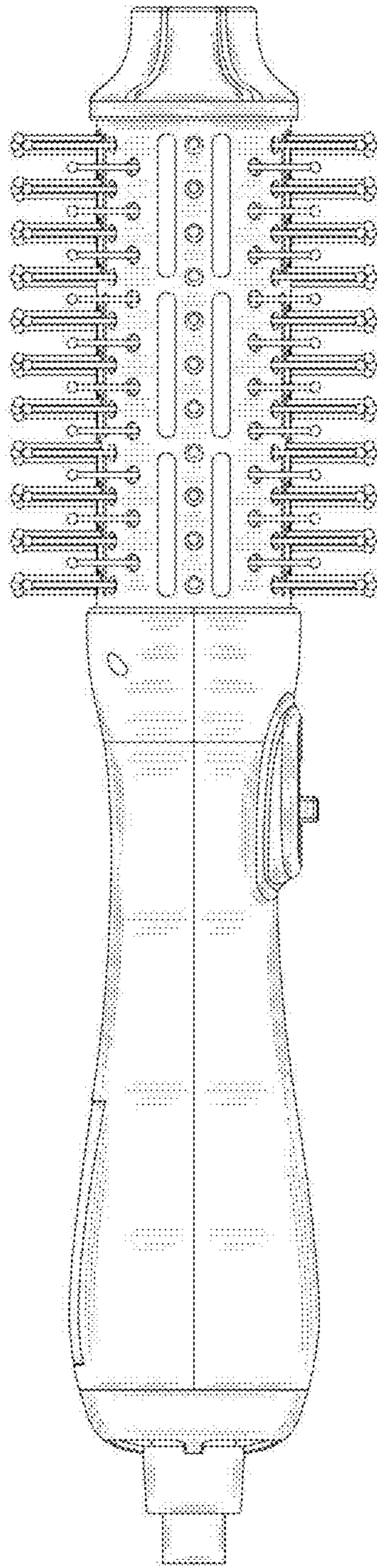


FIG .4

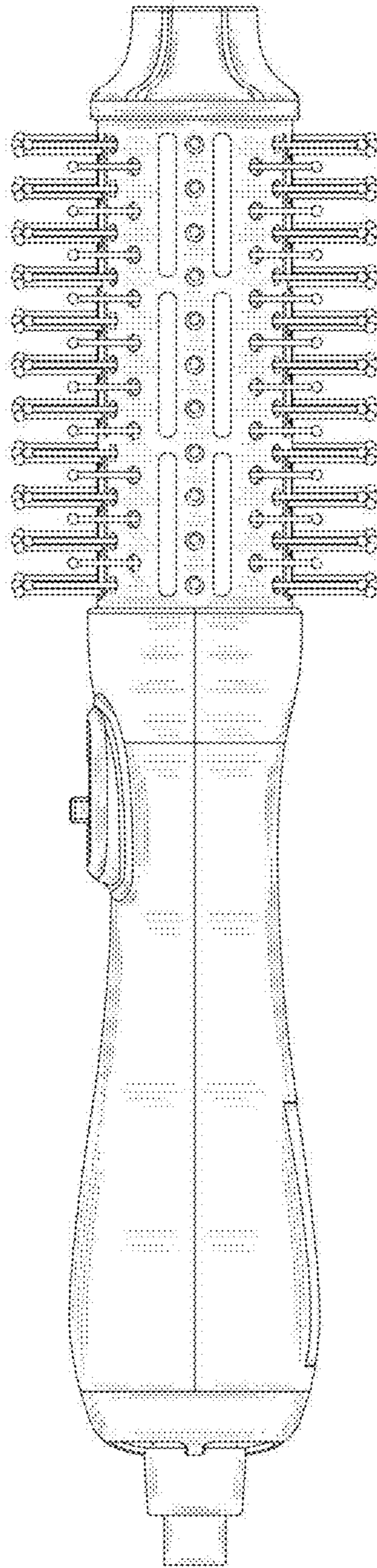


FIG .5

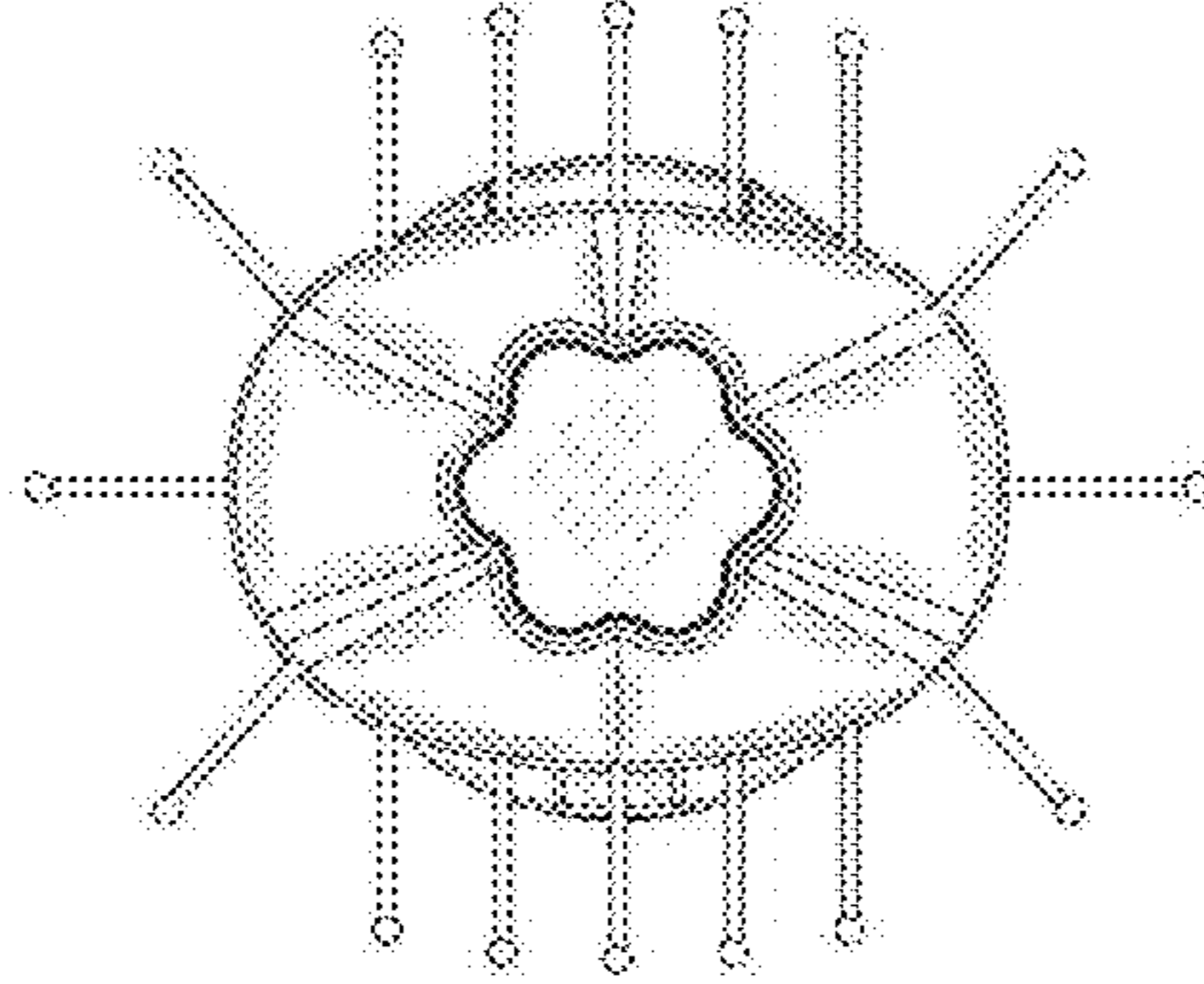


FIG .6

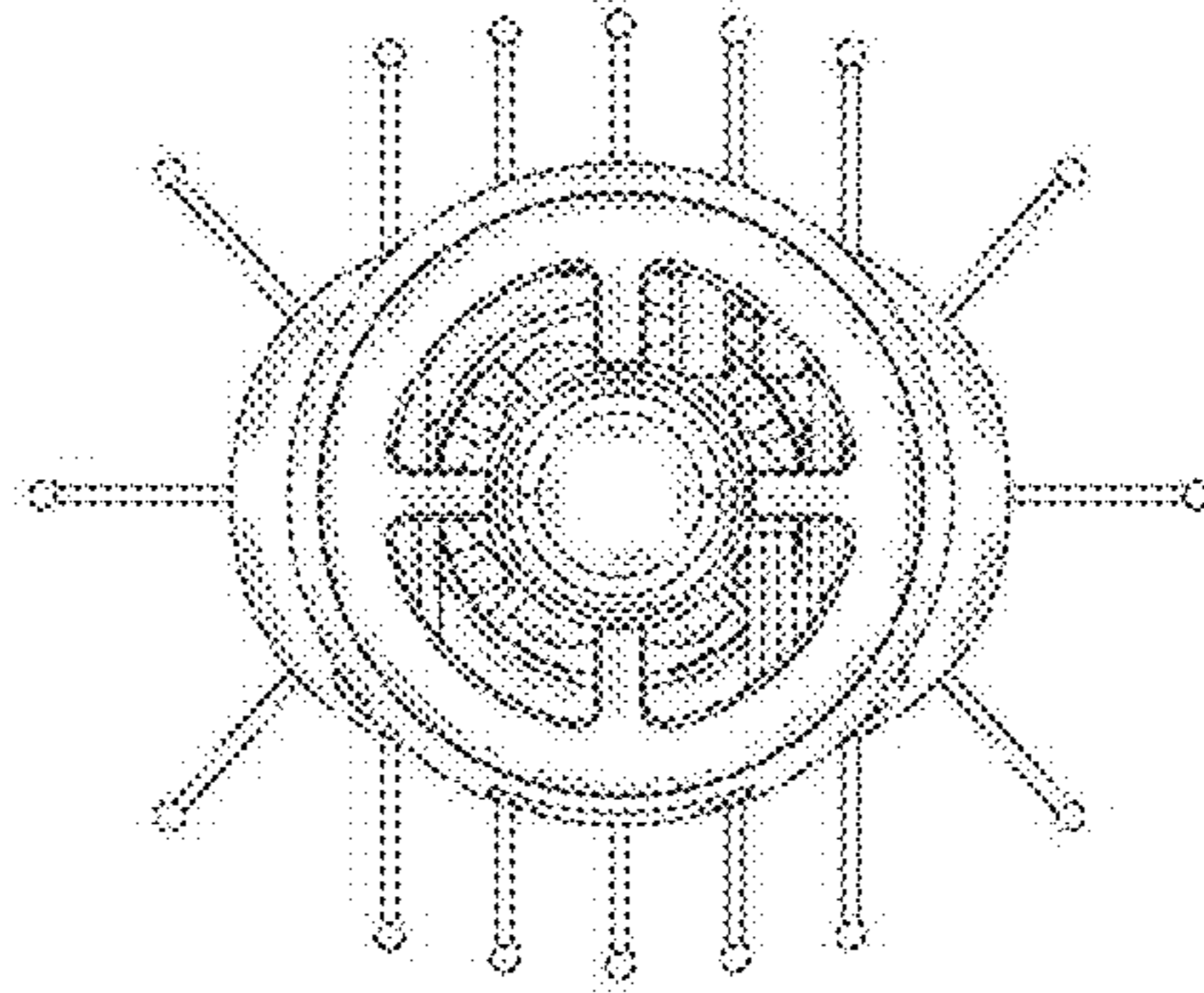


FIG .7