



US00D916369S

(12) **United States Design Patent**
Huang

(10) **Patent No.:** **US D916,369 S**
(45) **Date of Patent:** **** Apr. 13, 2021**

(54) **HAIR CURLER**

(71) Applicant: **Guangdong Huanengda Electrical appliances Co., LTD., Jieyang (CN)**

(72) Inventor: **Huaqun Huang, Jieyang (CN)**

(73) Assignee: **Guangdong Huanengda Electrical appliances Co., LTD., Jieyang (CN)**

(**) Term: **15 Years**

(21) Appl. No.: **29/719,140**

(22) Filed: **Dec. 31, 2019**

(30) **Foreign Application Priority Data**

Nov. 14, 2019 (CN) 201930627554.8

(51) **LOC (13) Cl.** **28-03**

(52) **U.S. Cl.**
USPC **D28/35**

(58) **Field of Classification Search**
USPC D28/35
CPC A45D 2001/004; A45D 2/36-367; A45D 2/02; A45D 2/12; A45D 2/122; A45D 2/38; A45D 2/40; A45D 2/01; A45D 1/28; A45D 1/00; A45D 1/06; A45D 1/14; A45D 1/16; A45D 2001/045; A45D 1/04

See application file for complete search history.

(56) **References Cited**

U.S. PATENT DOCUMENTS

- 8,132,571 B1 * 3/2012 Jackson A45D 1/04 132/211
- D743,624 S * 11/2015 Richmond D28/35
- 9,185,957 B2 * 11/2015 Richmond A45D 2/36
- D769,523 S * 10/2016 Fan D28/35
- D797,994 S * 9/2017 Yan D28/35
- 10,537,162 B2 * 1/2020 Yeung A45D 6/02

- D876,014 S * 2/2020 Lin D28/35
- D876,015 S * 2/2020 Lin D28/35
- 2005/0268933 A1 * 12/2005 Kimata A45D 2/10 132/238
- 2015/0114425 A1 * 4/2015 Park A45D 1/04 132/229
- 2015/0196105 A1 * 7/2015 Leung A45D 1/04 132/228
- 2019/0328100 A1 * 10/2019 Duan A45D 6/02
- 2020/0060405 A1 * 2/2020 Wang A45D 1/28

OTHER PUBLICATIONS

World's first automated curling iron, 1 page, reviewed as early as Sep. 1, 2019, www.youtube.com.*
Yitrust Automatic Hair Curler, www.amazon.com, 1 pag, reviewed as early as Jan. 16, 2020.*

* cited by examiner

Primary Examiner — Jennifer Rivard
(74) *Attorney, Agent, or Firm* — Dragon Sun Law Firm, PC; Jinggao Li, Esq.

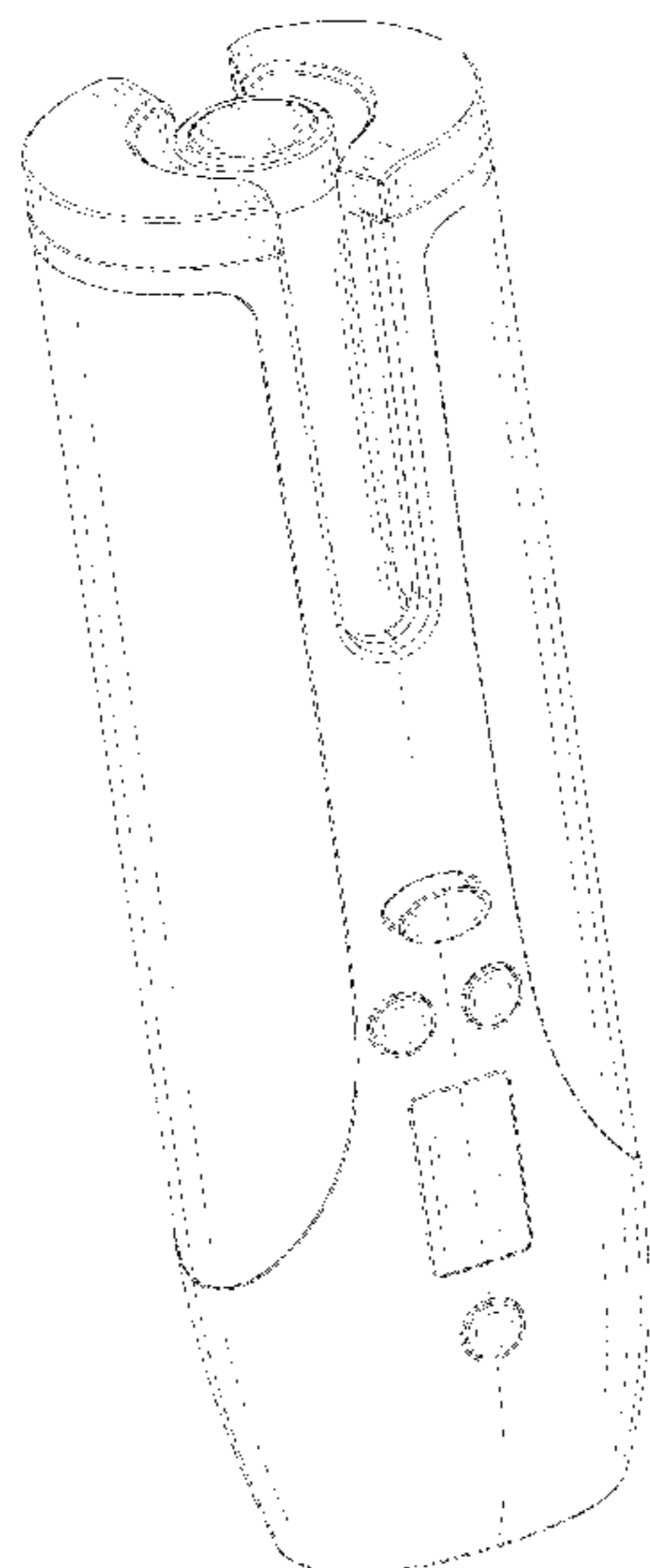
(57) **CLAIM**

The ornamental design for a hair curler, as shown and described.

DESCRIPTION

FIG. 1 is a perspective view of a hair curler showing my new design;
FIG. 2 is another perspective view thereof;
FIG. 3 is a front view thereof;
FIG. 4 is a rear view thereof;
FIG. 5 is a left side view thereof;
FIG. 6 is a right side view thereof;
FIG. 7 is a top plan view thereof; and,
FIG. 8 is a bottom plan view thereof.
The broken lines in the drawings illustrate portions of the hair curler form no part of the claimed design.

1 Claim, 8 Drawing Sheets



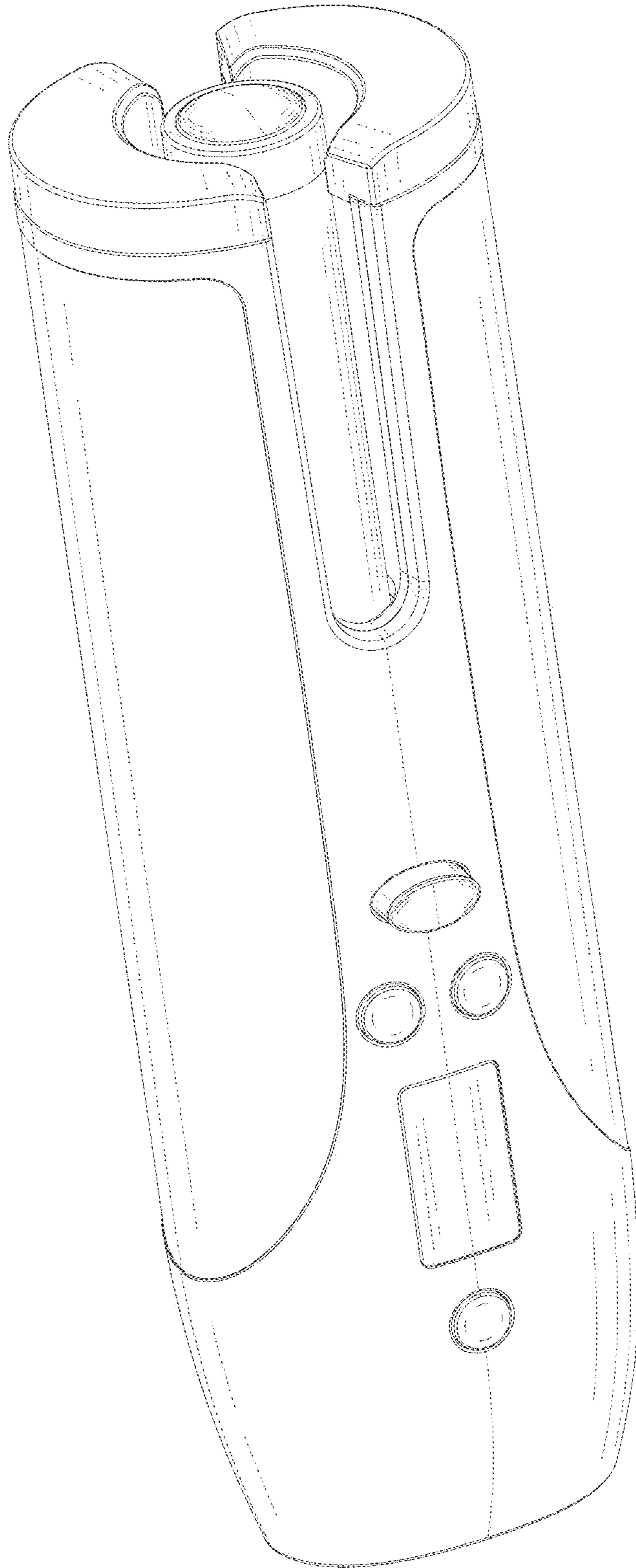


FIG. 1

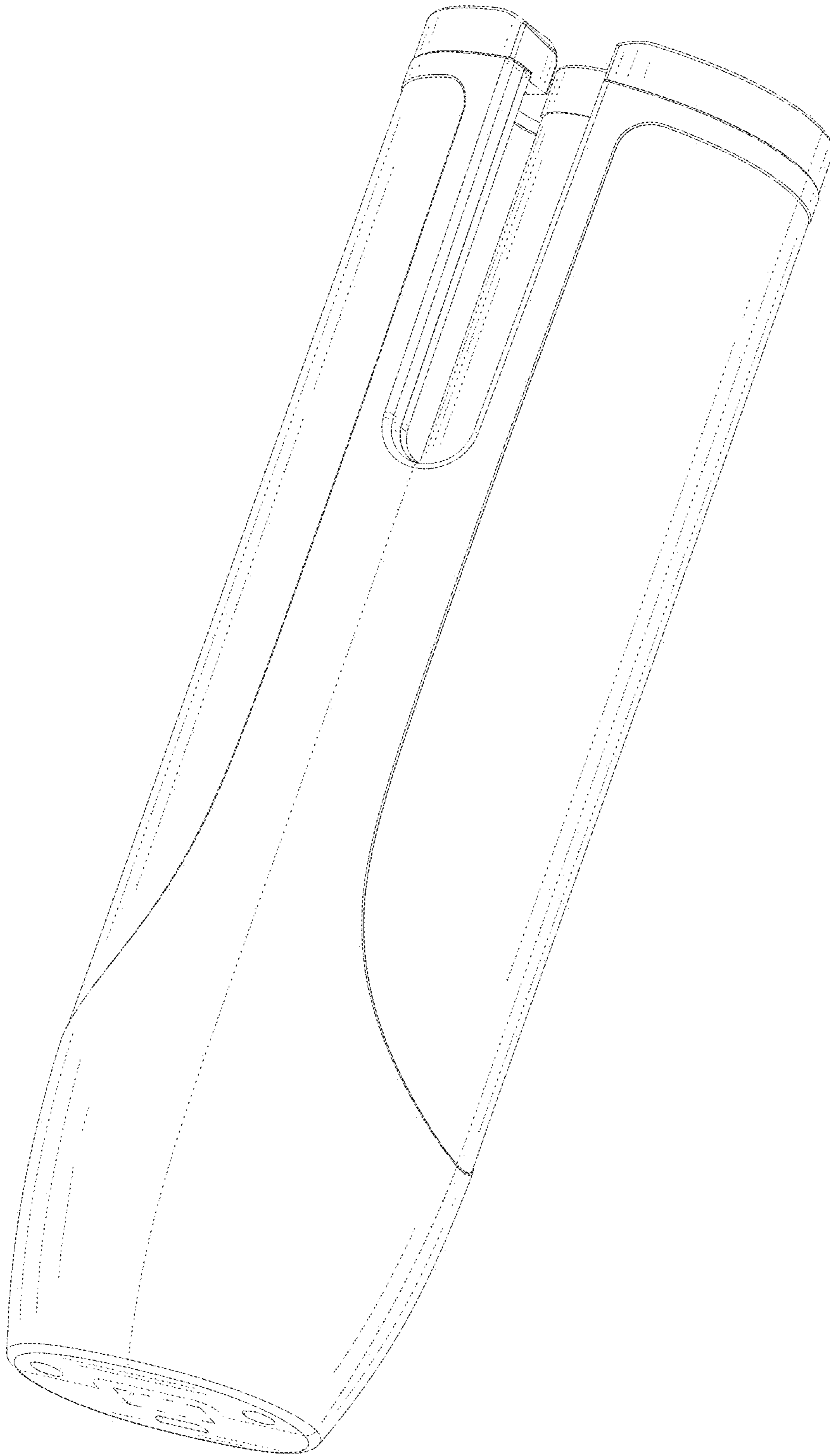


FIG. 2

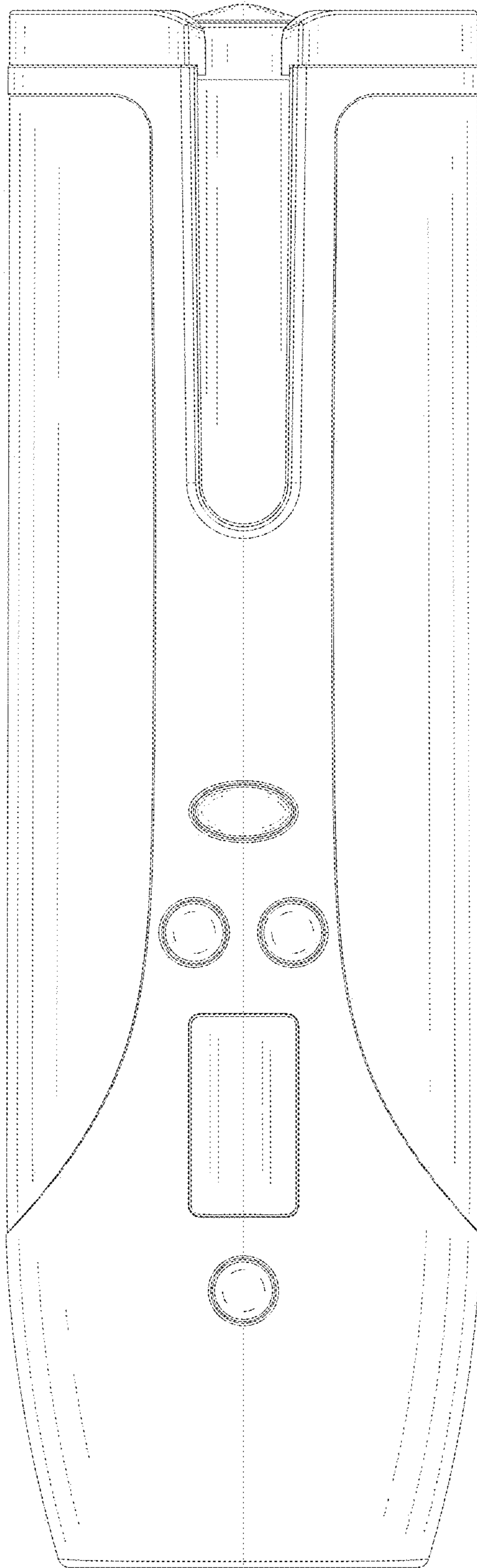


FIG. 3

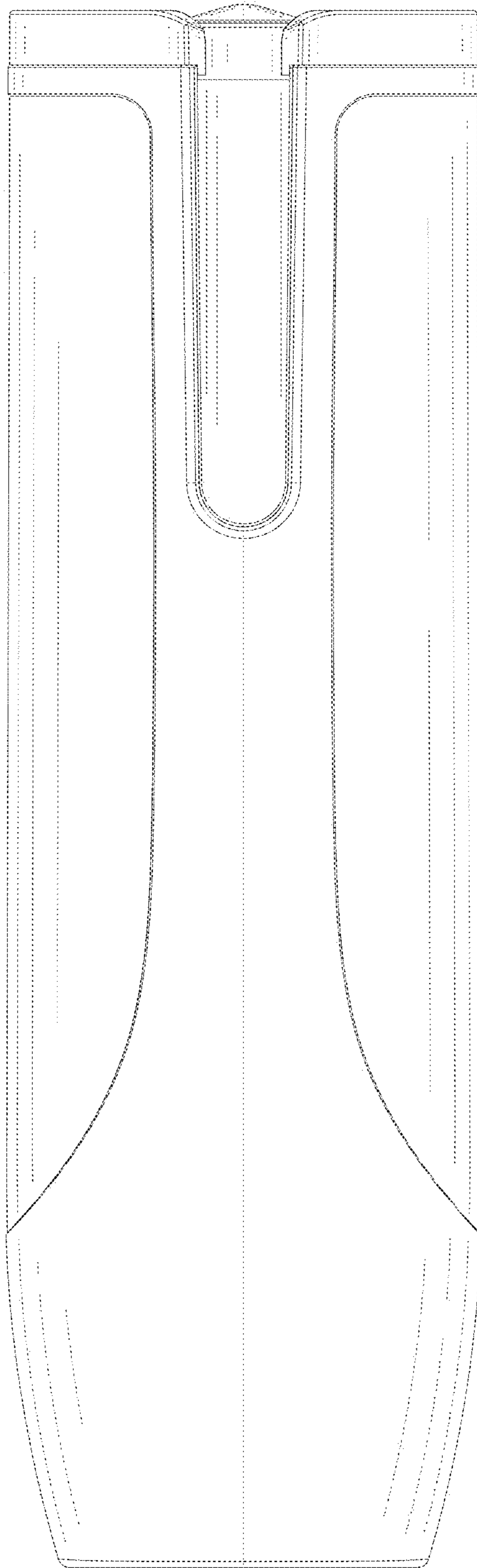


FIG. 4

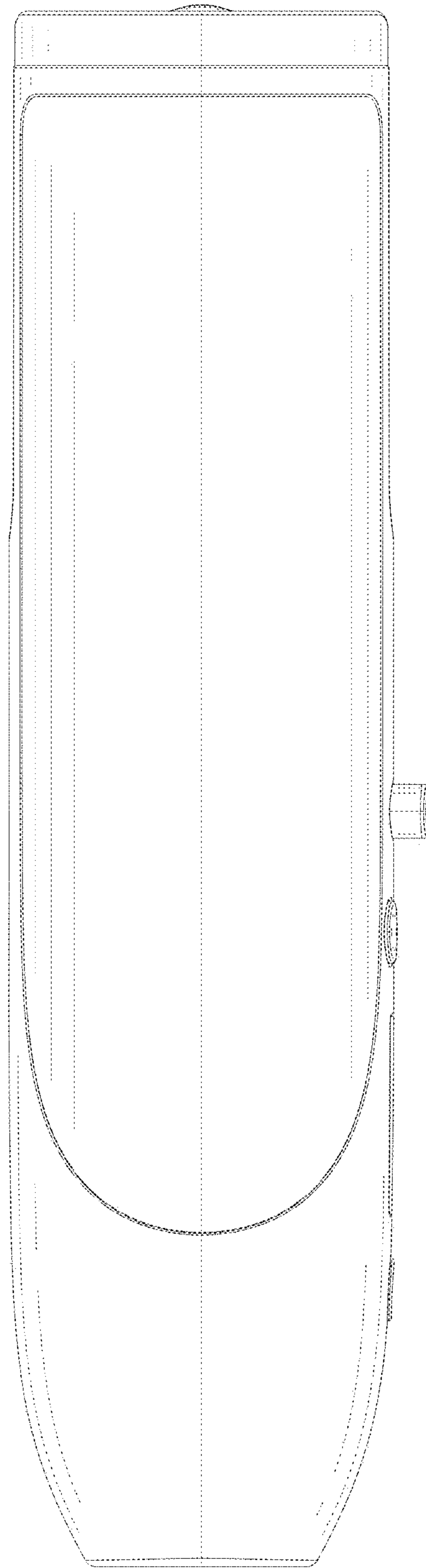


FIG. 5

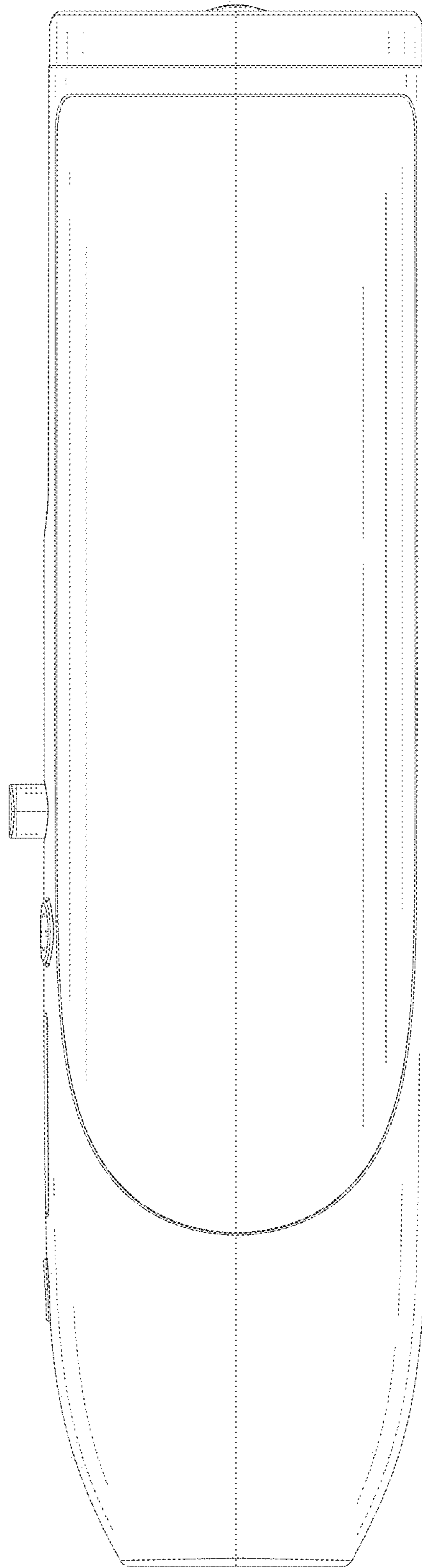


FIG. 6

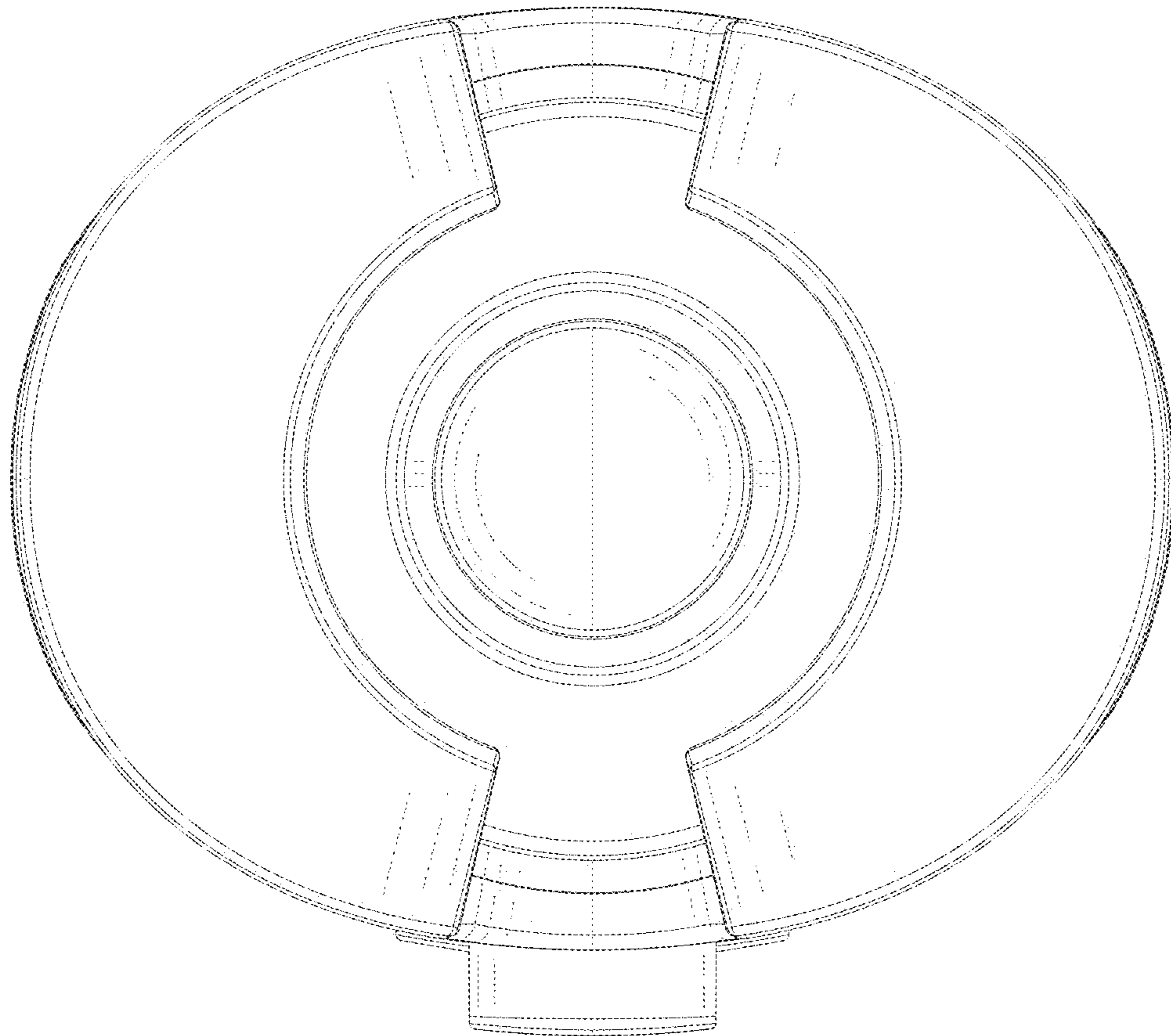


FIG. 7

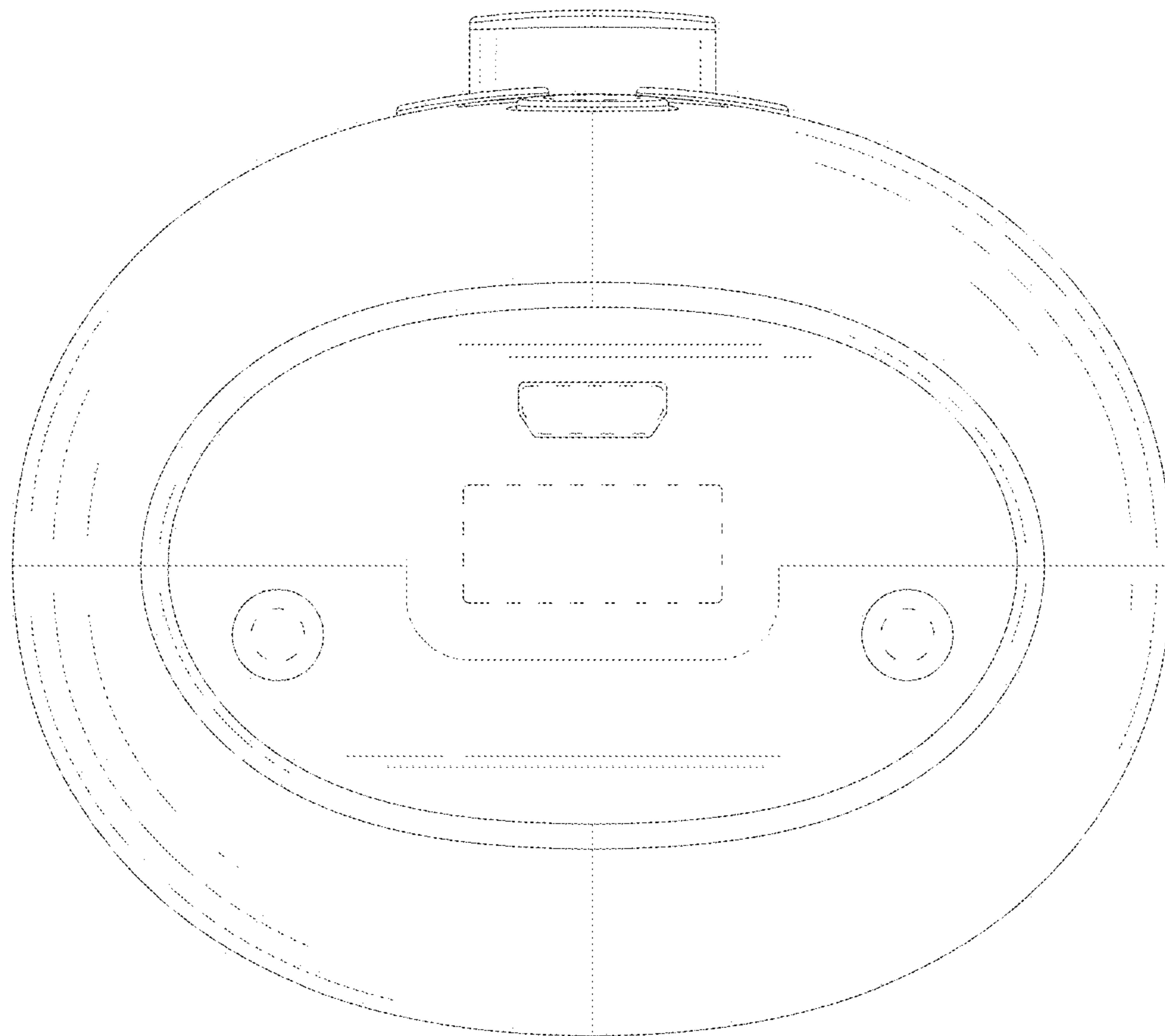


FIG. 8