



US00D916368S

(12) **United States Design Patent** (10) **Patent No.:** **US D916,368 S**
Koenemann et al. (45) **Date of Patent:** **** Apr. 13, 2021**

(54) **ELECTRIC HEATED HAIRBRUSH**
(71) Applicant: **Helen of Troy Limited**, St. Michael (BB)
(72) Inventors: **Gary Koenemann**, El Paso, TX (US); **Aakriti Chandra**, Jersey City, NJ (US); **Mathieu Zastawny**, Jersey City, NJ (US); **Joann Parker**, El Paso, TX (US)

D383,245 S 9/1997 Seifert
D401,382 S * 11/1998 Seifert D28/13
D418,249 S 12/1999 Elkerbout
D421,152 S 2/2000 Kwok
D439,701 S 3/2001 Engelen
D462,481 S 9/2002 Rizzuto, Jr. et al.
D505,750 S 5/2005 Gorman et al.
D776,345 S 1/2017 Tang
D787,834 S * 5/2017 Cheung D4/128

(Continued)

(73) Assignee: **Helen of Troy Limited**, St. Michael (BB)

FOREIGN PATENT DOCUMENTS

(**) Term: **15 Years**

EM 007462668-0001 * 3/2020
EM 008006175-0001 * 6/2020
GB 6092243 * 6/2020

(21) Appl. No.: **29/698,166**

OTHER PUBLICATIONS

(22) Filed: **Jul. 15, 2019**

Revlon Volumizer Brush [on-line]. [Retrieved from the Internet Jul. 15, 2019.] <https://www.revlonhairtools.com/revlon-volumizer> (made publicly available prior to Jul. 15, 2019).

(51) **LOC (13) Cl.** **28-03**

(52) **U.S. Cl.**
USPC **D28/35; D4/100; D4/133**

(58) **Field of Classification Search**
USPC D4/100, 102, 121, 127, 128, 129, 130, D4/132, 133, 134, 135, 136, 137, 138, D4/199; D28/13, 24, 28, 25, 35
CPC .. A46B 5/02; A46B 9/005; A46B 9/02; A46B 9/023; A46B 9/06; A46B 15/0022; A46B 15/0024; A46B 15/003; A46B 5/0059; A46B 15/0075; A46B 2200/1093; A46B 2200/104; A45D 2/001; A45D 2/002; A45D 7/02; A45D 20/48
See application file for complete search history.

Primary Examiner — Karen E Eldridge Powers
(74) *Attorney, Agent, or Firm* — Rankin, Hill & Clark LLP

(57) **CLAIM**

The ornamental design for a electric heated hairbrush, as shown and described.

DESCRIPTION

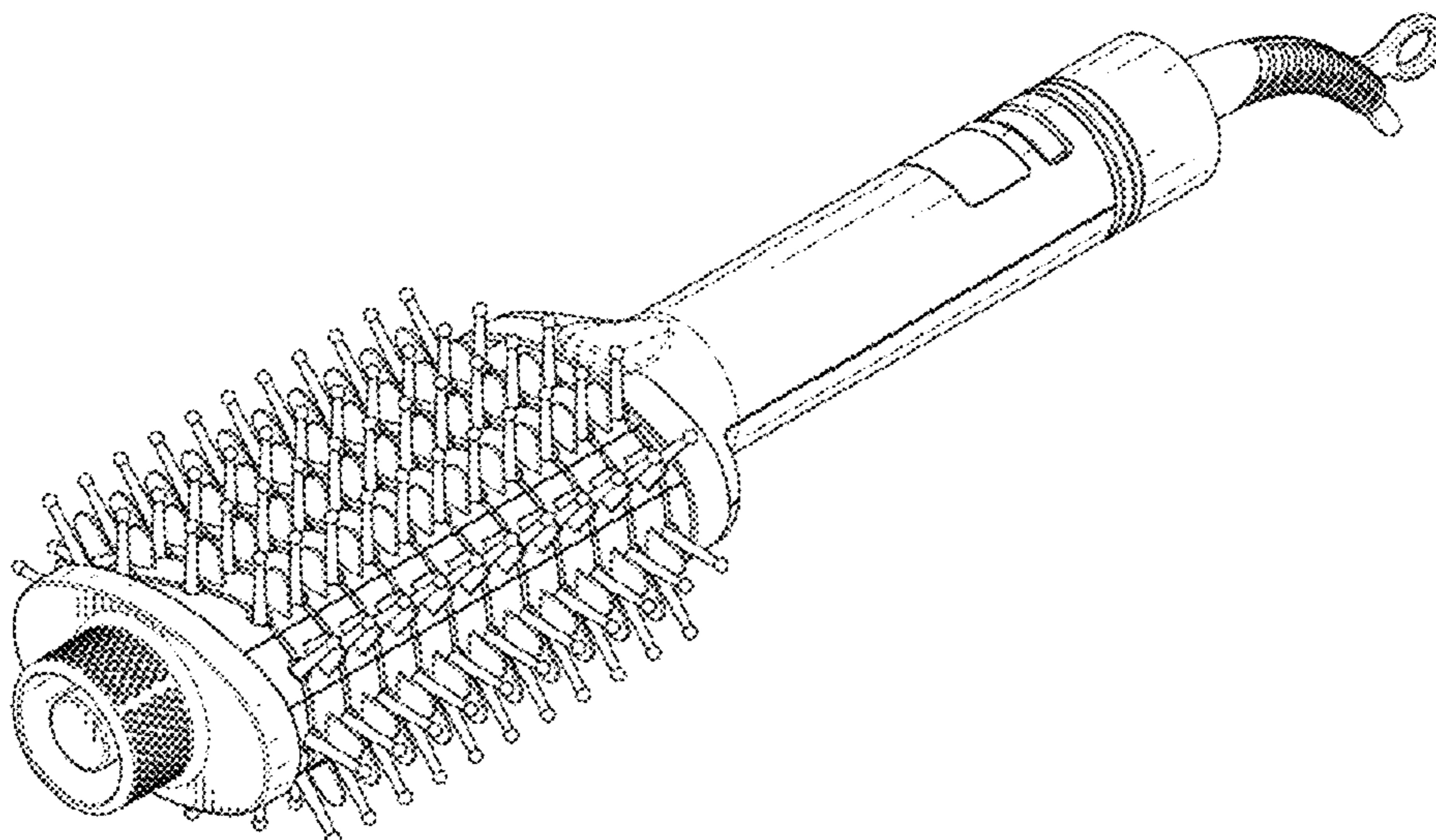
FIG. 1 is a perspective view of a electric heated hairbrush; FIG. 2 is a front elevation view thereof; FIG. 3 is a rear elevation view thereof; FIG. 4 is a right side elevation view thereof; FIG. 5 is a left side elevation view thereof; FIG. 6 is a top plan view thereof; and, FIG. 7 is a bottom plan view thereof. The broken lines in the drawings depict portions of the electric heated hairbrush that form no part of the claimed design.

(56) **References Cited**

U.S. PATENT DOCUMENTS

D279,033 S 5/1985 Stansbury, Jr.
D281,726 S 12/1985 Tsuji
D281,727 S * 12/1985 Tsuji D28/18
D288,250 S 2/1987 Adams
D294,526 S * 3/1988 Oberheim D28/35
D294,527 S * 3/1988 Oberheim D28/35
D294,743 S * 3/1988 Seki D28/35

1 Claim, 6 Drawing Sheets



(56)

References Cited

U.S. PATENT DOCUMENTS

D792,711 S	*	7/2017	Hou	D4/133
D800,454 S		10/2017	Mathieu	
D817,643 S	*	5/2018	Valle	D4/100
D850,001 S		5/2019	Coulton et al.	
D852,415 S		6/2019	Coulton et al.	
D862,087 S	*	10/2019	Ma	D4/100
D890,425 S	*	7/2020	Liao	D28/13
D899,781 S	*	10/2020	Liang	D4/100
D901,772 S	*	11/2020	Huang	D28/35
D901,898 S	*	11/2020	Zhanye	D4/102
D902,482 S	*	11/2020	Koenemann	D28/35
D902,603 S	*	11/2020	Zhanye	D4/102
D903,941 S	*	12/2020	Koenemann	D28/35

* cited by examiner

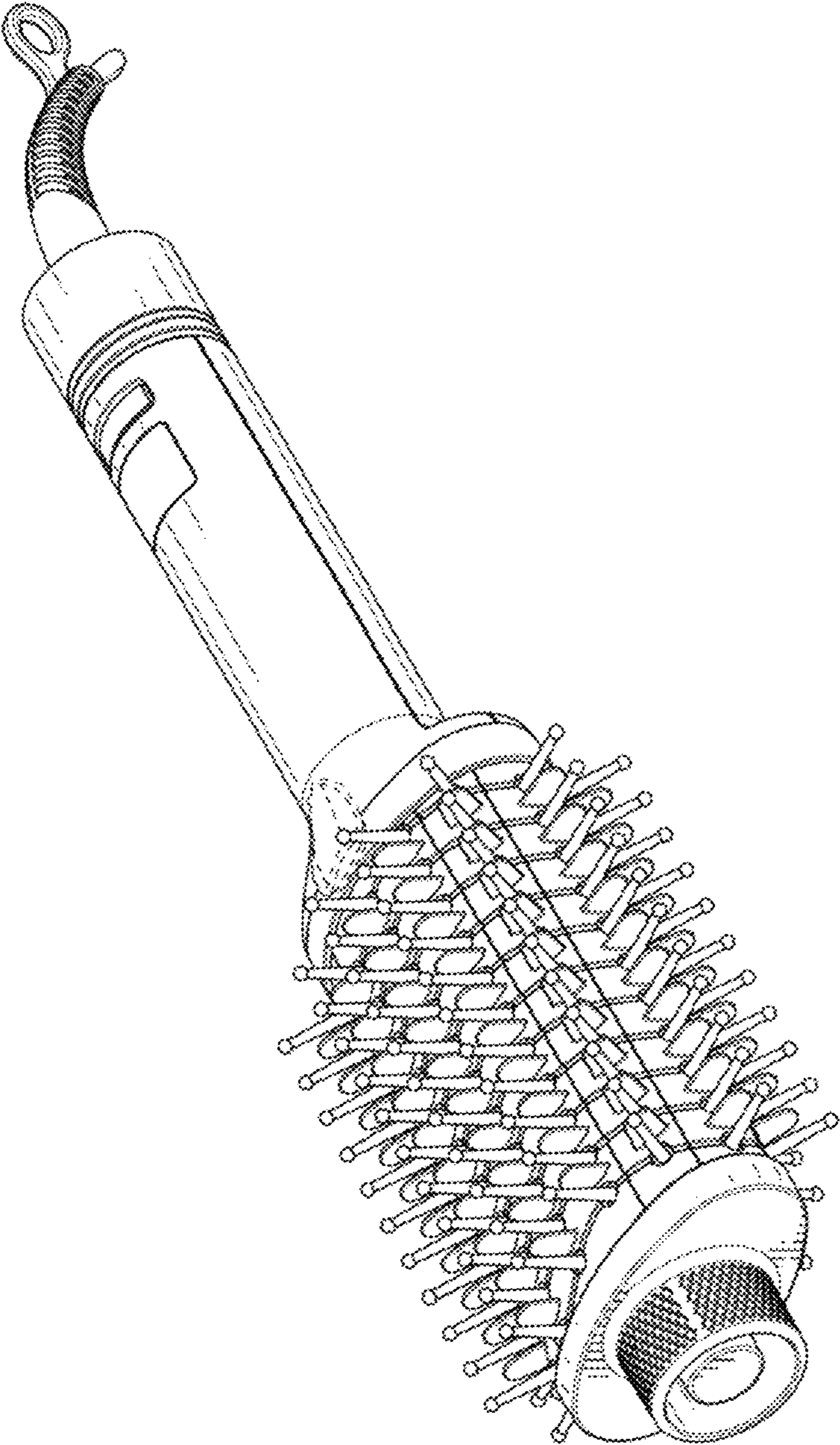


FIG. 1

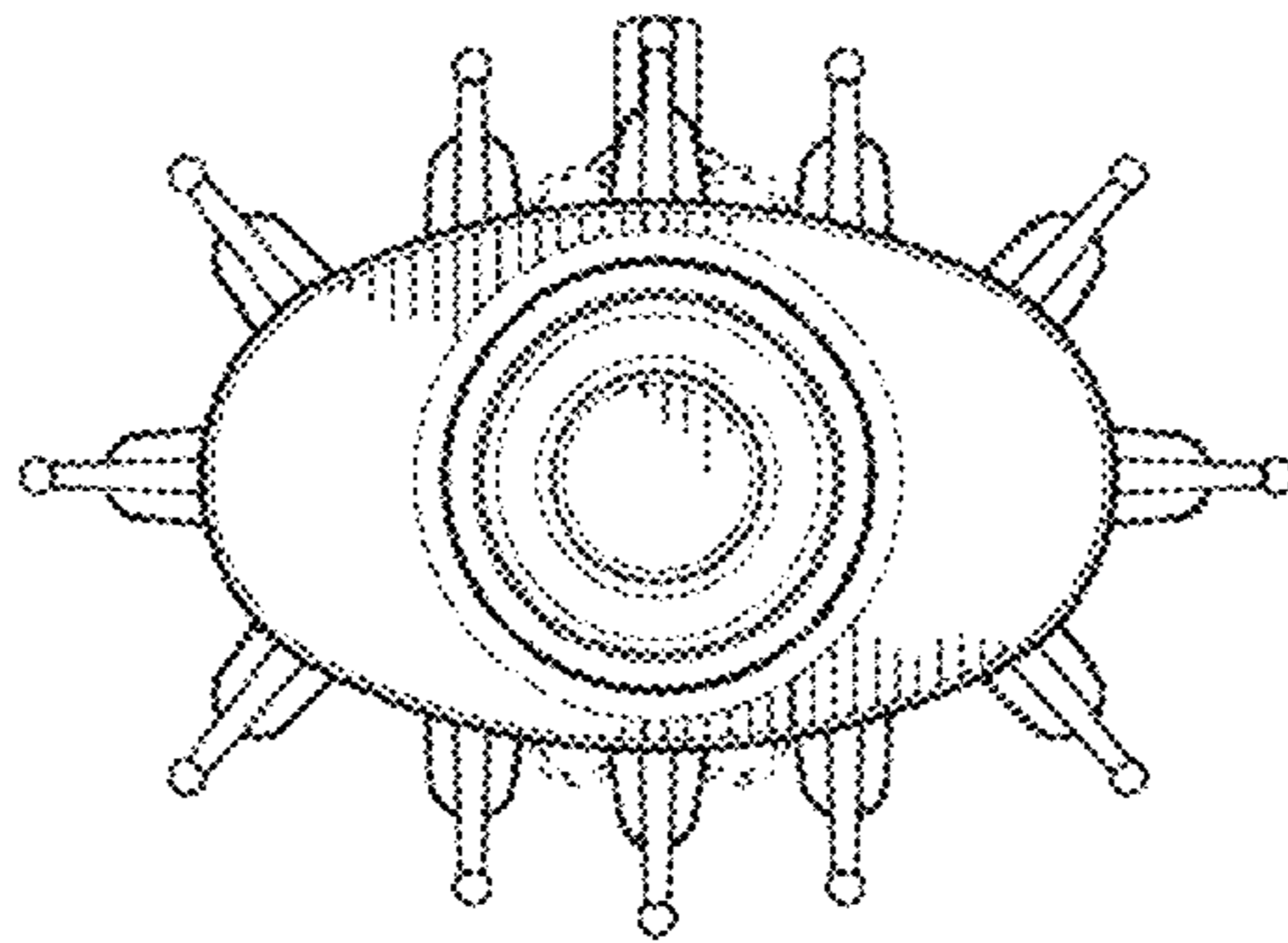


FIG. 2

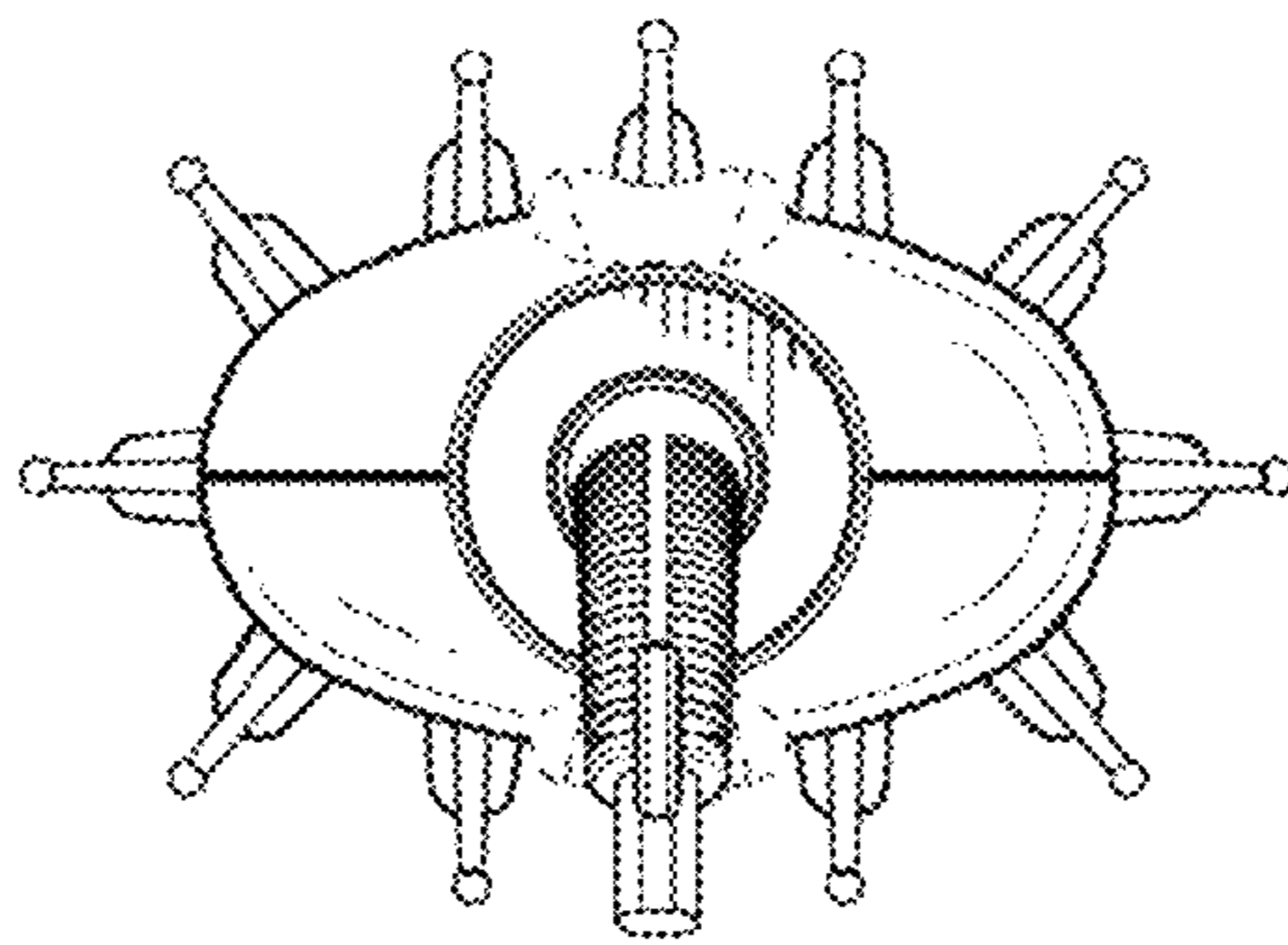


FIG. 3

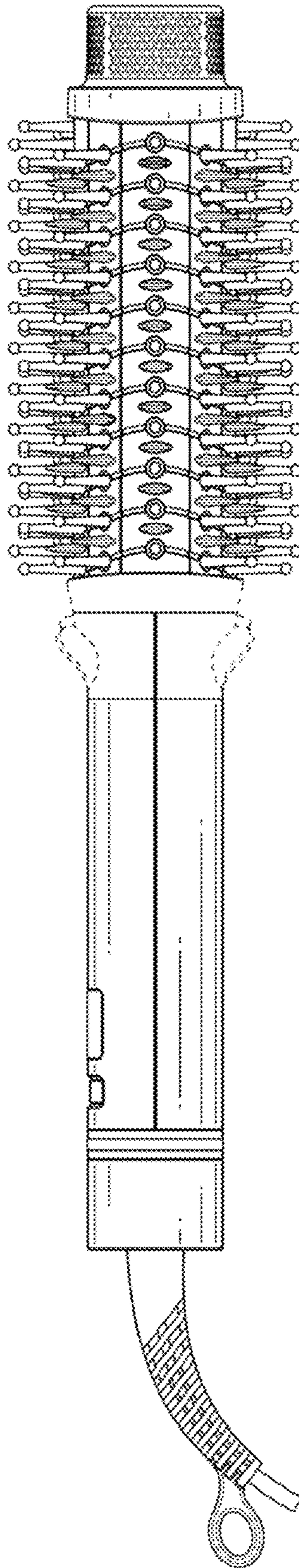


FIG.4

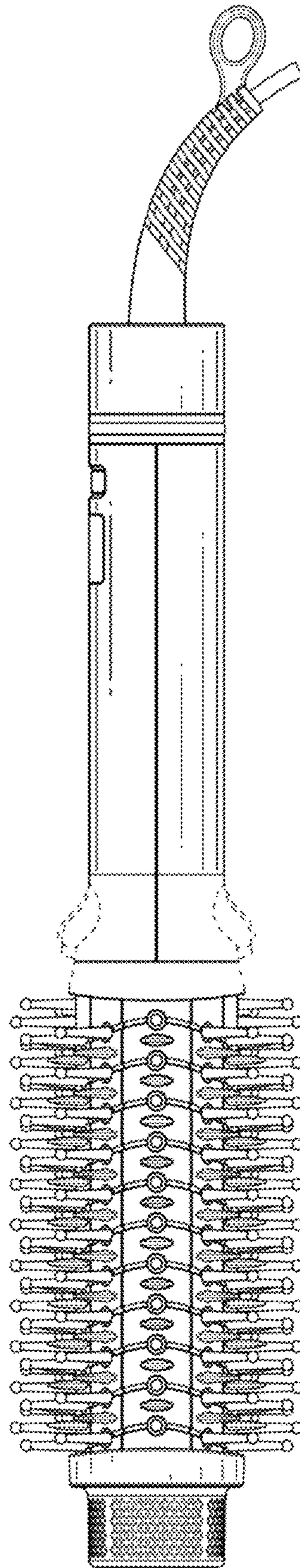


FIG. 5

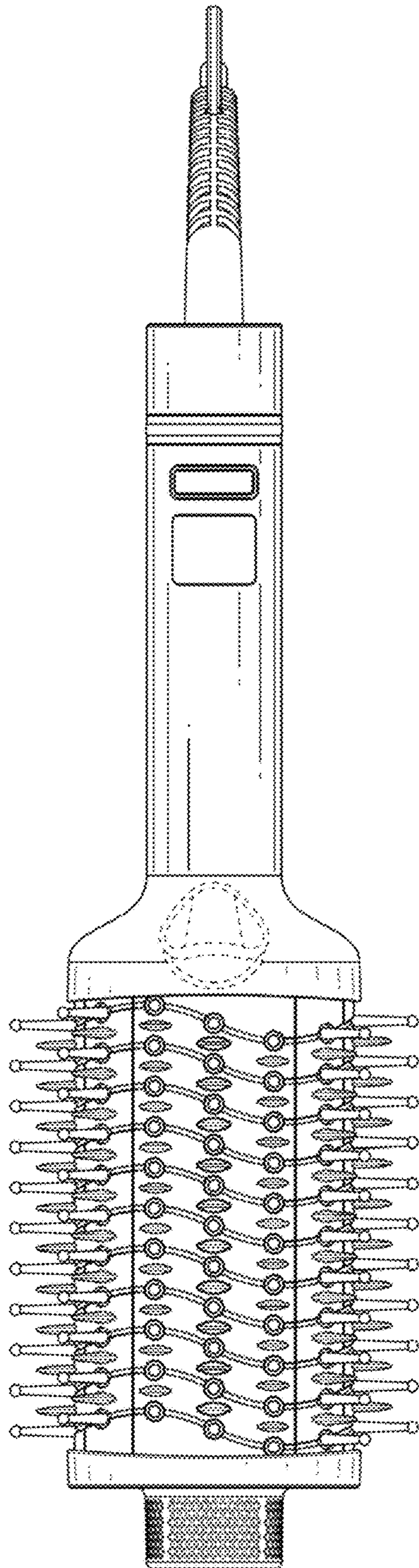


FIG. 6

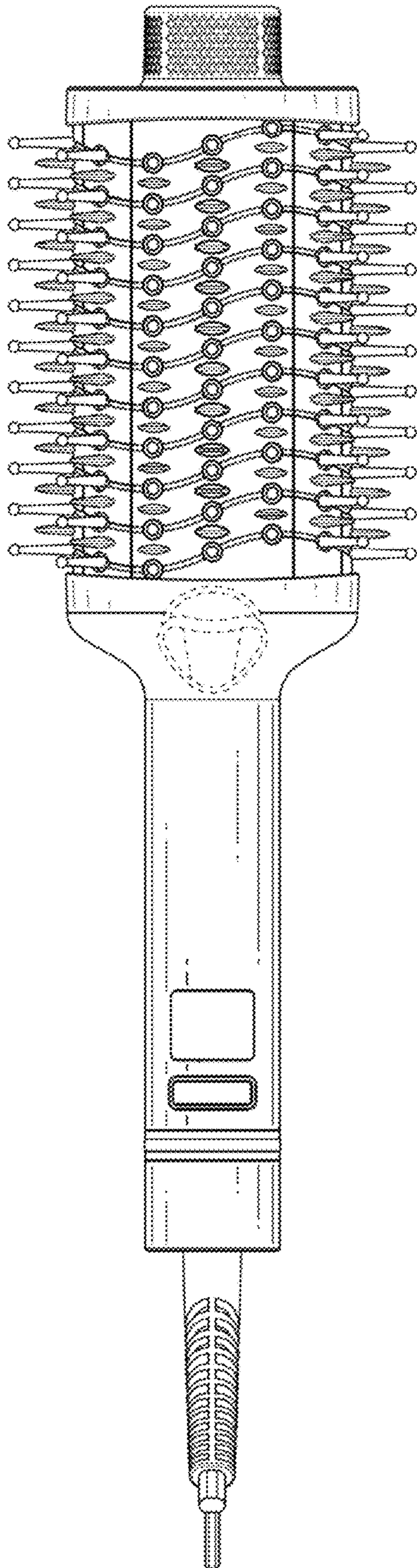


FIG. 7