



US00D916366S

(12) **United States Design Patent** (10) **Patent No.:** **US D916,366 S**
Pratte (45) **Date of Patent:** **** Apr. 13, 2021**

- (54) **HAIR-WAVING HEADBAND**
- (71) Applicant: **Michelle Dawn Pratte**, Vandalia, MO (US)
- (72) Inventor: **Michelle Dawn Pratte**, Vandalia, MO (US)
- (**) Term: **15 Years**
- (21) Appl. No.: **29/688,811**
- (22) Filed: **Apr. 24, 2019**
- (51) **LOC (13) Cl.** **28-03**
- (52) **U.S. Cl.**
USPC **D28/10**
- (58) **Field of Classification Search**
USPC D28/9, 10, 41, 35, 39, 93, 99; D30/144, D30/151, 152, 153, 199; D2/865, 891, D2/895; D11/3-6
CPC A41G 5/0093; A45D 24/00; A45D 6/00; A45D 8/00; A45D 8/004; A45D 8/36; A45D 8/40; A01K 13/005; A41D 20/00
See application file for complete search history.

- D867,660 S * 11/2019 Thillet D28/41
- D888,596 S * 6/2020 Frietsch D11/4
- D893,802 S * 8/2020 Luo D28/41

OTHER PUBLICATIONS

Burnt Spice Headband [online], [site visited 00/00/2021]. Available from internet, URL:<<http://www.littlejheadbands.com/shop/txoj7oyn4vu3awglqmma4112c9hid>> (Year: 2021).*

* cited by examiner

Primary Examiner — Cynthia Ramirez
Assistant Examiner — Xavier Marti-Santos
(74) *Attorney, Agent, or Firm* — Dunlap Bennett & Ludwig, PLLC

(57) **CLAIM**

The ornamental design for a hair-waving headband, as shown and described.

DESCRIPTION

FIG. 1 is a front perspective view of a hair-waving headband, showing my new design; FIG. 2 is a right-side elevation view thereof; FIG. 3 is a left-side elevation view thereof; FIG. 4 is a front elevation view thereof; FIG. 5 is a rear elevation view thereof; FIG. 6 is a top plan view thereof; and, FIG. 7 is a bottom plan view thereof.

The broken lines shown in FIGS. 2 through 7 depict portions of the hair-waving headband that form no part of the claimed design, while the additional broken lines shown in FIG. 1 depict environmental subject matter that forms no part of the claimed design.

1 Claim, 7 Drawing Sheets

(56) **References Cited**

U.S. PATENT DOCUMENTS

- D192,206 S * 2/1962 Helmstedt D2/865
- D339,545 S * 9/1993 Davies D11/11
- D355,047 S * 1/1995 Grimes D28/9
- D375,386 S * 11/1996 Smith D2/894
- D712,094 S * 8/2014 Branson A45D 8/36 D28/41
- D728,158 S * 4/2015 Beaugureau D28/41
- D743,673 S * 11/2015 Yoo D2/865
- D785,246 S * 4/2017 Ethington D28/41
- D811,657 S * 2/2018 Lalonde D28/41
- D847,428 S * 4/2019 Sze D28/41

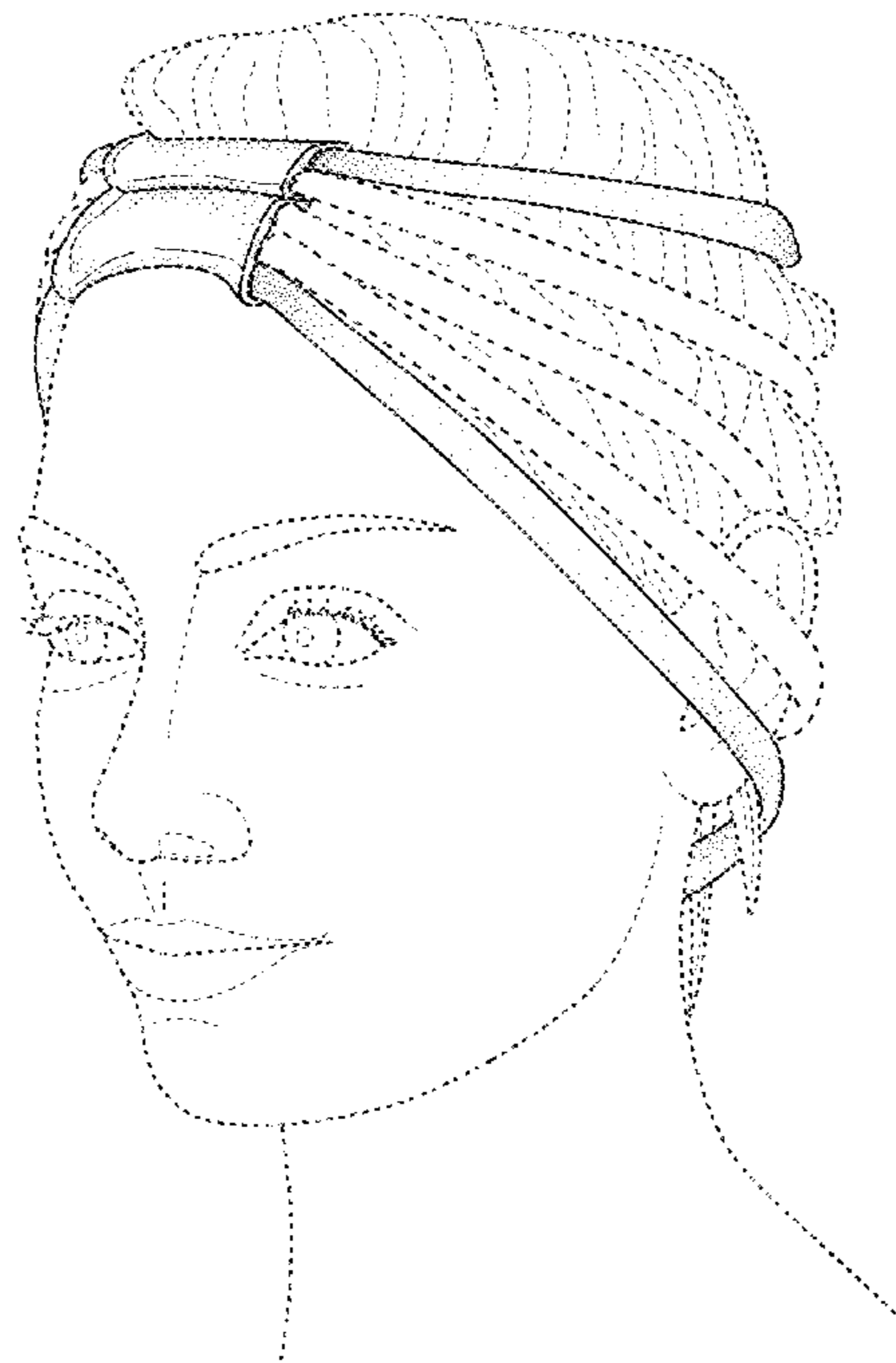




FIG. 1

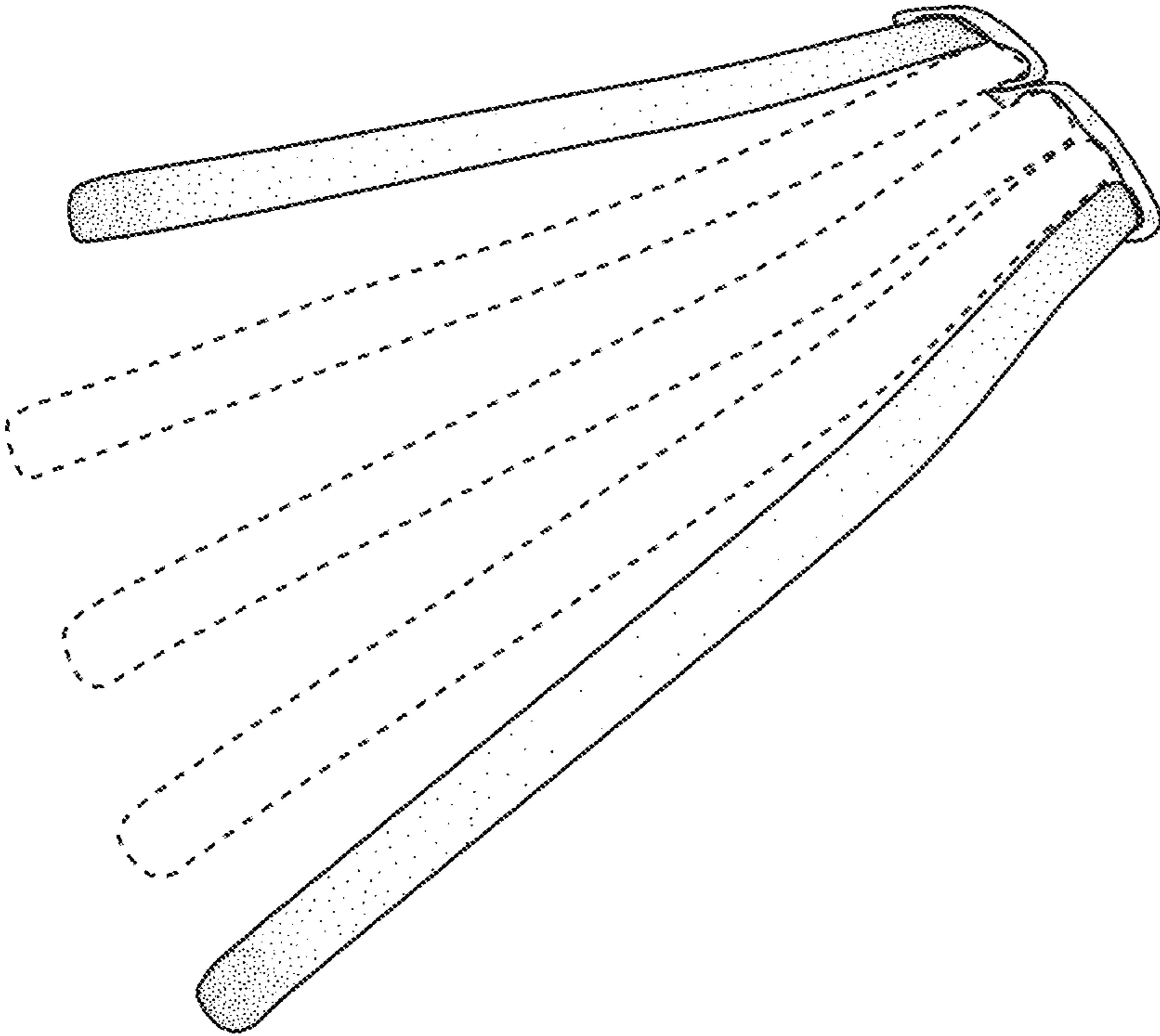


FIG. 2

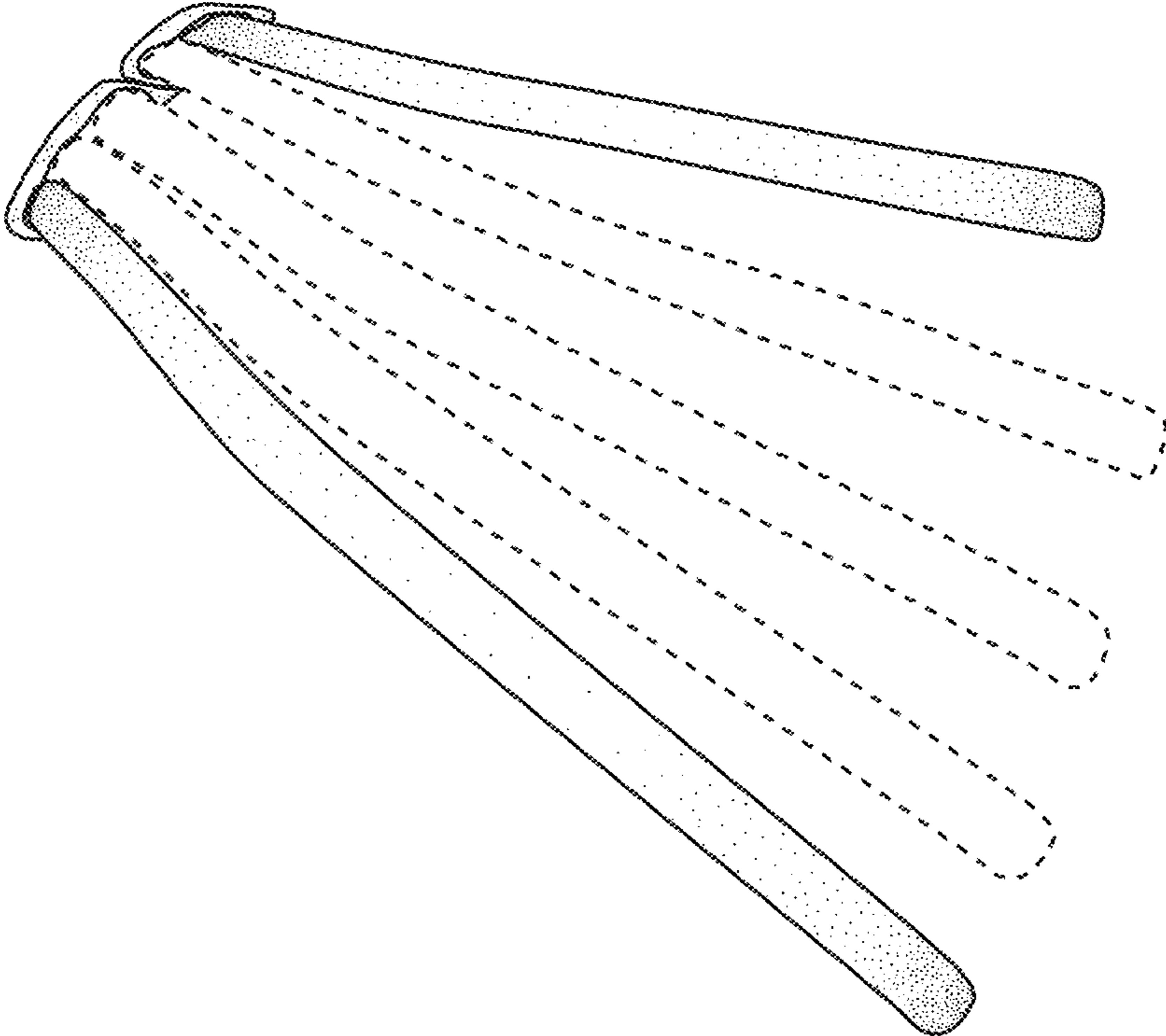


FIG. 3

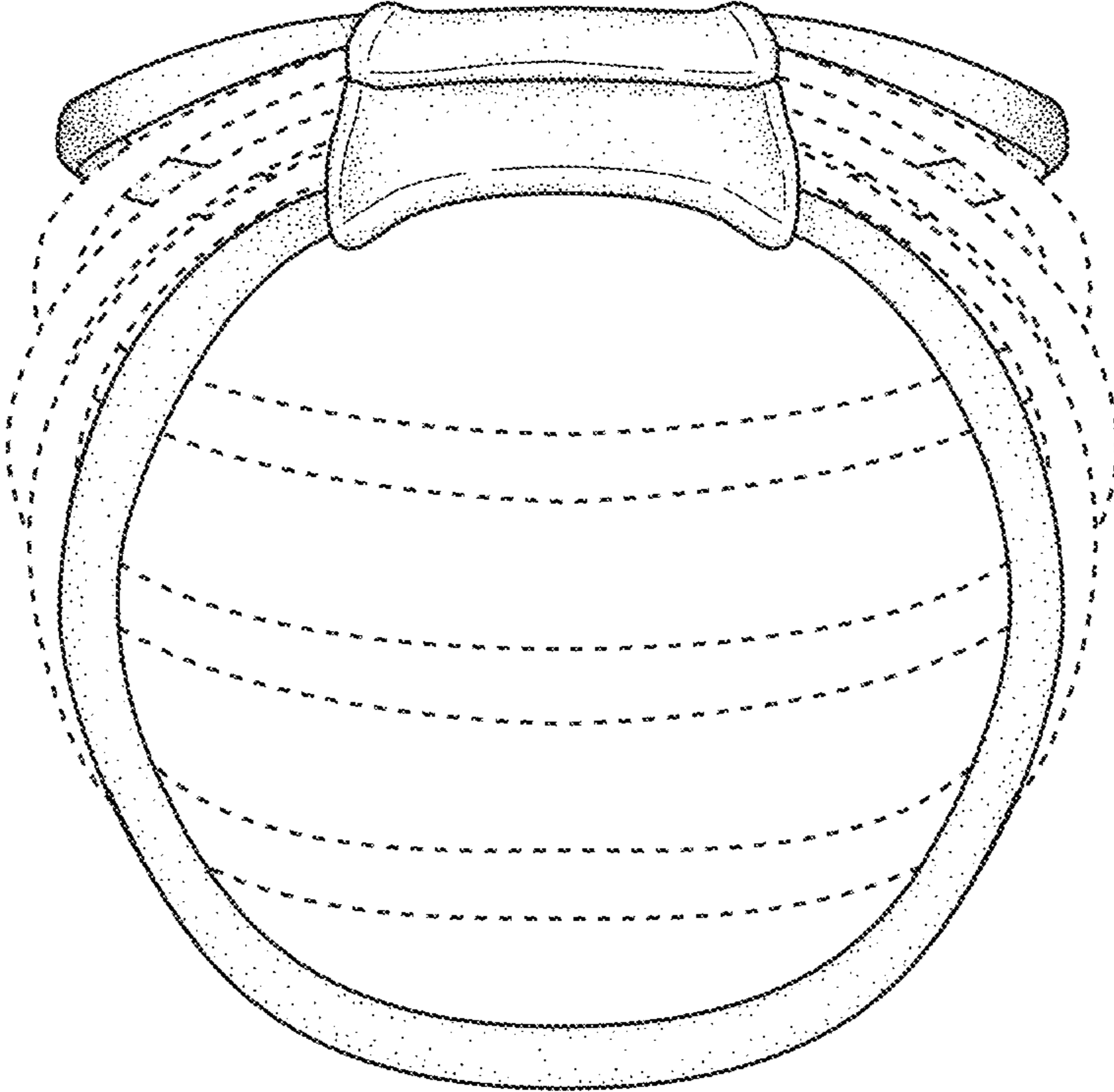


FIG. 4

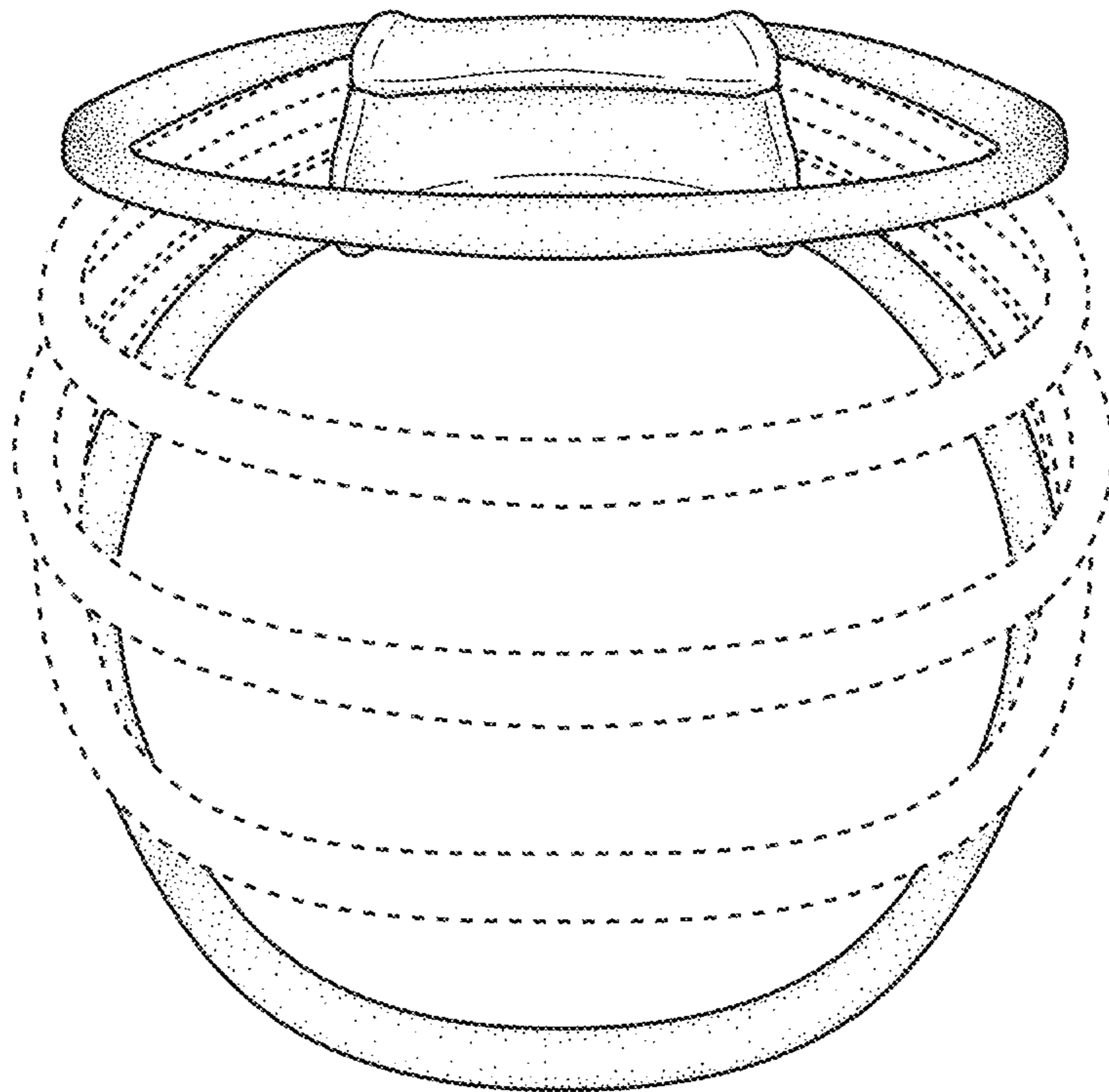


FIG. 5

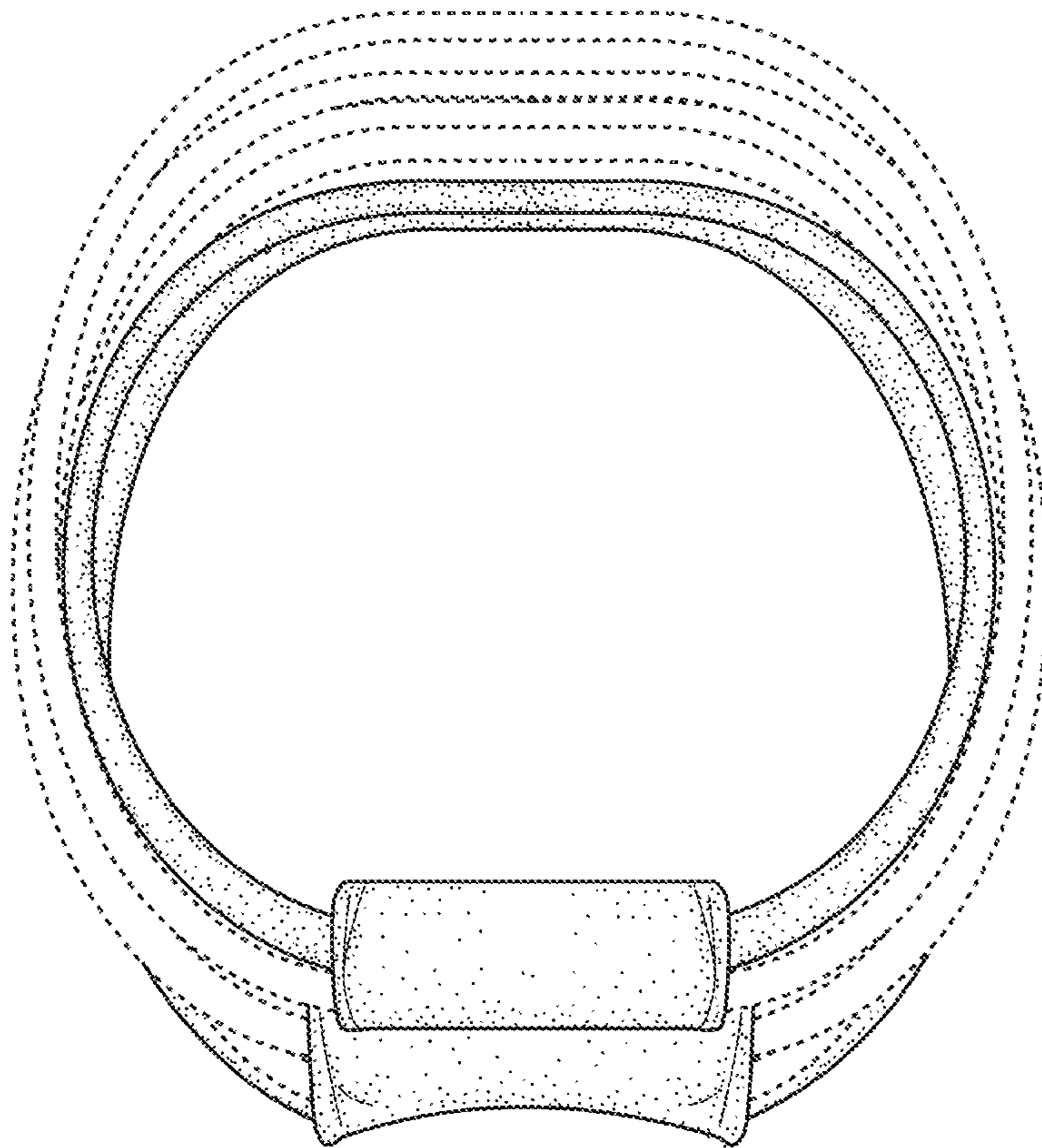


FIG. 6

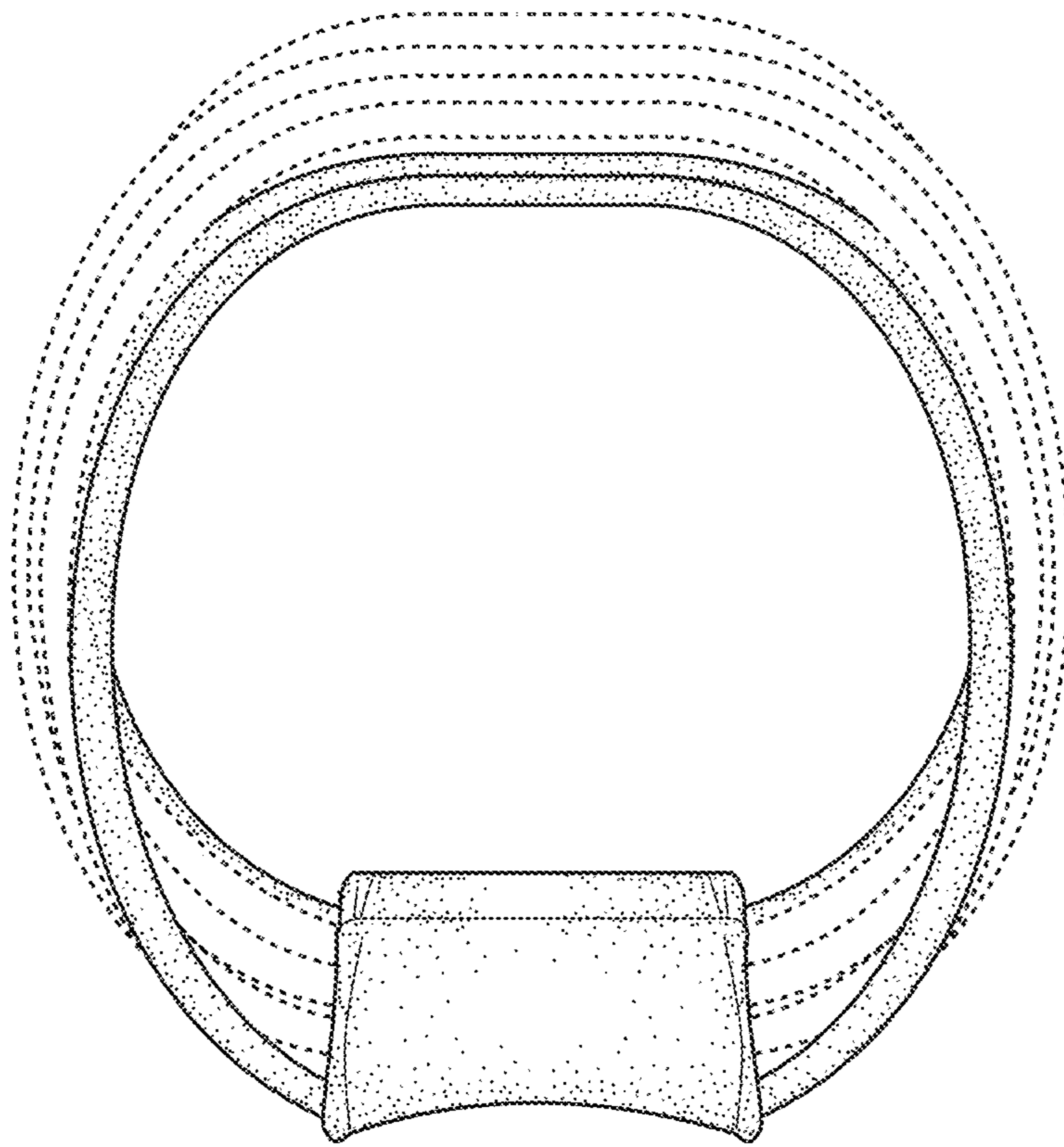


FIG. 7