



US00D916365S

(12) **United States Design Patent** (10) **Patent No.:** **US D916,365 S**
Lin (45) **Date of Patent:** **** Apr. 13, 2021**

(54) **DISPENSING BOX HOLDER**
(71) Applicant: **REPUBLIC TOBACCO L.P.**,
Glenview, IL (US)
(72) Inventor: **Mei Lin**, Northbrook, IL (US)
(73) Assignee: **REPUBLIC TOBACCO L.P.**,
Glenview, IL (US)
(**) Term: **15 Years**
(21) Appl. No.: **29/704,194**
(22) Filed: **Sep. 3, 2019**
(51) **LOC (13) Cl.** **27-06**
(52) **U.S. Cl.**
USPC **D27/172**
(58) **Field of Classification Search**
USPC D27/102, 136, 137, 163, 167, 172, 173,
D27/174, 175, 176, 177, 178, 179, 180,
(Continued)

(56) **References Cited**
U.S. PATENT DOCUMENTS
601,798 A * 4/1898 Slomka 62/371
1,783,149 A 11/1930 Jantzen
(Continued)

FOREIGN PATENT DOCUMENTS
BX 88235-001 * 10/2019
BX 88235-002 * 10/2019
(Continued)

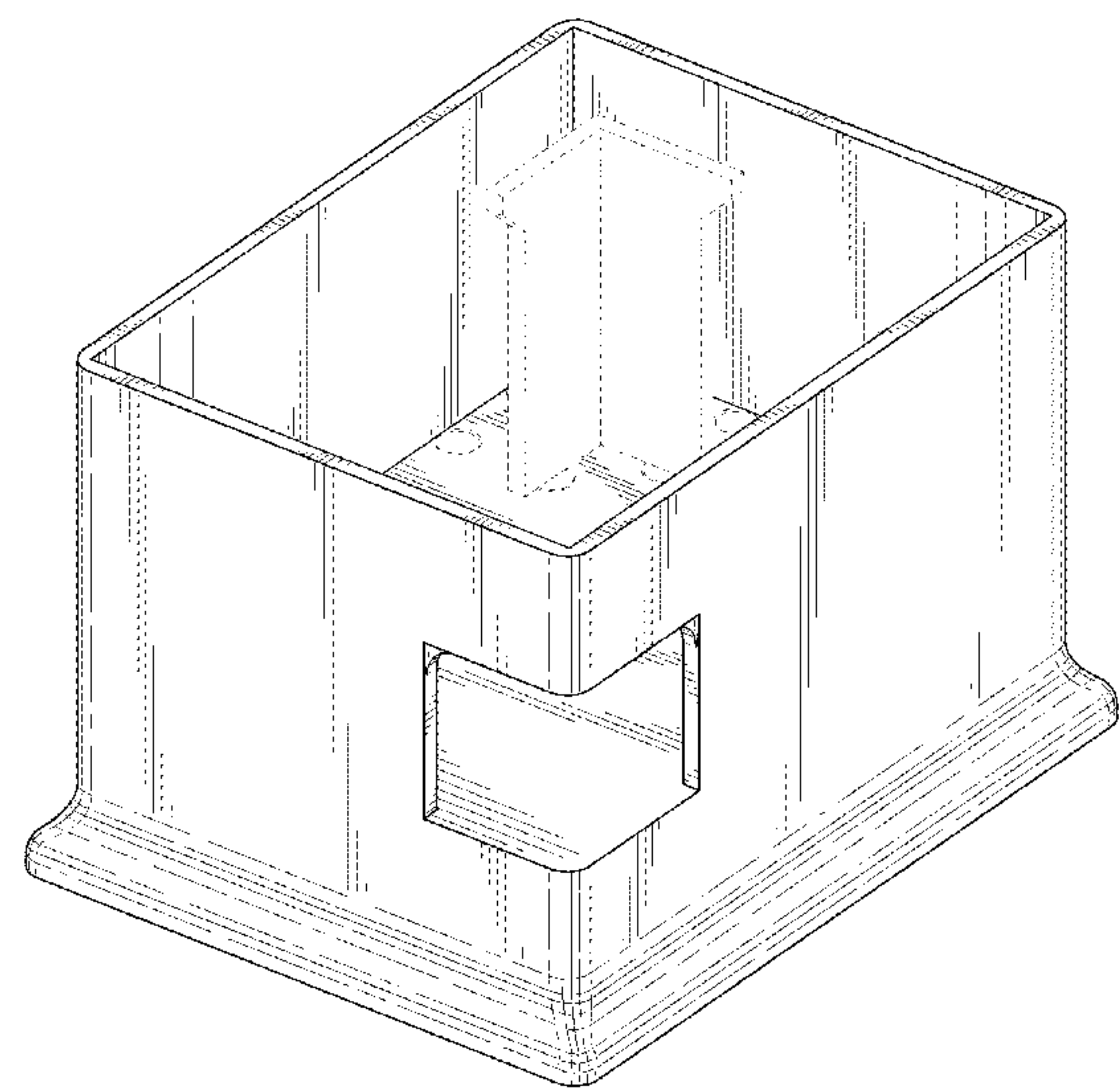
OTHER PUBLICATIONS
Chinese Patent Office action for Application No. 201930716939
dated Apr. 17, 2020 (2 pages including statement of relevance).
(Continued)

Primary Examiner — Marissa J Cash
Assistant Examiner — William B Melliar
(74) *Attorney, Agent, or Firm* — Michael Best &
Friedrich LLP

(57) **CLAIM**
The ornamental design for a dispensing box holder, as
shown and described.

DESCRIPTION
FIG. 1 is a perspective view of a dispensing box holder
according to a first embodiment of the present invention;
FIG. 2 is a front elevation view of the dispensing box holder
embodiment of FIG. 1;
FIG. 3 is a back elevation view of the dispensing box holder
embodiment of FIG. 1;
FIG. 4 is a right side elevation view of the dispensing box
holder embodiment of FIG. 1;
FIG. 5 is a left side elevation view of the dispensing box
holder embodiment of FIG. 1;
FIG. 6 is a top plan view of the dispensing box holder
embodiment of FIG. 1;
FIG. 7 is a bottom plan view of the dispensing box holder
embodiment of FIG. 1;
FIG. 8 is a perspective view of a dispensing box holder
according to a second embodiment of the present invention;
FIG. 9 is a front elevation view of the dispensing box holder
embodiment of FIG. 8;
FIG. 10 is a back elevation view of the dispensing box
holder embodiment of FIG. 8;
FIG. 11 is a right side elevation view of the dispensing box
holder embodiment of FIG. 8;
FIG. 12 is a left side elevation view of the dispensing box
holder embodiment of FIG. 8;
FIG. 13 is a top plan view of the dispensing box holder
embodiment of FIG. 8; and,
FIG. 14 is a bottom plan view of the dispensing box holder
embodiment of FIG. 8.
In the drawings, the broken lines depict portions of the
dispensing box holder that form no part of the claimed
design.

1 Claim, 14 Drawing Sheets



(58) **Field of Classification Search**

USPC D27/181, 182, 183, 184, 185, 186, 187,
D27/188, 189, 190, 191, 192, 193, 194,
D27/195, 196; D19/77, 81, 102;
D30/121
CPC A24F 13/22; A24F 13/02; A24F 13/06;
A24F 13/08; A24F 15/00; A24F 15/18;
A24F 15/20; A24F 7/04; A24F 13/04;
A24F 13/16; A24F 7/00; A24F 15/12;
A24F 13/10; A24F 13/24; A24F 15/10;
A24F 19/0035; A24F 19/0064; A24F
47/00; A24F 47/008; A24F 19/10; A24F
19/14

See application file for complete search history.

(56)

References Cited

U.S. PATENT DOCUMENTS

D89,883 S * 5/1933 Fried A24F 1/30
D27/172
2,257,536 A 9/1941 Roycroft
2,268,873 A 1/1942 Hopkins et al.
D140,246 S * 2/1945 Wemyss D27/172
D140,748 S * 4/1945 Goldbert D27/191
D159,687 S * 8/1950 Silverman D27/191
D199,884 S * 12/1964 Wayman D27/181
3,403,815 A 10/1968 Robson
3,814,301 A 6/1974 Niepmann
3,857,364 A 12/1974 Miller, Jr.
3,880,390 A 4/1975 Niven
4,037,756 A 7/1977 Jaquish
4,164,312 A * 8/1979 Hamed B65D 5/48048
206/448
4,165,753 A * 8/1979 Stryker A24F 1/30
131/173
D268,368 S * 3/1983 Moss D27/180
D296,725 S * 7/1988 Iacovelli D12/419
4,964,528 A * 10/1990 Wagoner B65D 25/06
220/541
5,080,023 A 1/1992 Miura
5,149,032 A * 9/1992 Jones A47G 23/0225
248/154
5,295,592 A 3/1994 Thorne
5,457,745 A * 10/1995 Wang B60R 11/0241
379/426
5,860,517 A 1/1999 Gemma, Jr. et al.
5,957,280 A 9/1999 Focke et al.
6,012,593 A * 1/2000 Knittel A47J 47/16
211/181.1
6,015,071 A * 1/2000 Adomeit B60R 7/02
220/6
6,460,710 B1 * 10/2002 Dardashti A47B 57/26
108/61

7,143,912 B2 * 12/2006 Caneba A45C 13/262
224/153
7,380,894 B2 6/2008 Berger
8,016,139 B2 9/2011 Hanners et al.
8,118,586 B2 2/2012 Trebilcock et al.
8,628,155 B1 1/2014 Nielson
8,978,925 B2 3/2015 Babikian
D741,541 S * 10/2015 Liu D27/193
D756,560 S * 5/2016 Ghiotti D27/186
D756,561 S * 5/2016 Ghiotti D27/186
D756,562 S * 5/2016 Ghiotti D27/186
9,463,576 B2 10/2016 Hsu et al.
D815,344 S * 4/2018 Smith D27/189
D821,141 S * 6/2018 Youngmann D7/412
10,214,342 B2 * 2/2019 Parcevaux B65D 5/725
D881,719 S * 4/2020 O'Neill D9/759
10,660,456 B2 5/2020 Snyder
10,787,289 B1 * 9/2020 Bellamah B65D 5/5004
2002/0023855 A1 2/2002 Cho
2003/0136688 A1 7/2003 Venable
2005/0150847 A1 * 7/2005 Hawkinson A47F 5/005
211/59.2
2006/0163180 A1 * 7/2006 Rankin, VI A47F 1/126
211/59.3
2007/0262038 A1 11/2007 Harbison et al.
2009/0039742 A1 2/2009 Ripley, Jr.
2009/0052809 A1 * 2/2009 Sampson B65D 81/389
383/38
2010/0257908 A1 10/2010 Trebilcock et al.
2012/0018503 A1 1/2012 Walling et al.
2014/0021217 A1 1/2014 Chen et al.
2014/0374288 A1 12/2014 Holford et al.

FOREIGN PATENT DOCUMENTS

CN 205885072 U 1/2017
WO 2012084681 A1 6/2012

OTHER PUBLICATIONS

Chinese Patent Office action for Application No. 201930716848 dated Apr. 17, 2020 (2 pages including statement of relevance).
Wall Control “9IN Deep Slotted Metal Pegboard Shelf Divider Pair—10-DV-009”, <<https://www.wallcontrol.com/9in-deep-slotted-metal-pegboard-shelf-divider-pair-white/>>, website publicly available at least as early as Jul. 9, 2018.
PandPal “One Size Fits All Tissue Box Cover”, <https://www.amazon.com/PandPal-Preference-Angelsoft-RectangularAdjustable/dp/B01FLCPVNM/ref=sr_1_5?keywords=pandpal&qid=1571239733&sr=8-5>, publicly available at least as early as Sep. 29, 2016.
European Patent Office Extended Search Report for Application No. 20182351.5 dated Jan. 21, 2021 (9 pages).

* cited by examiner

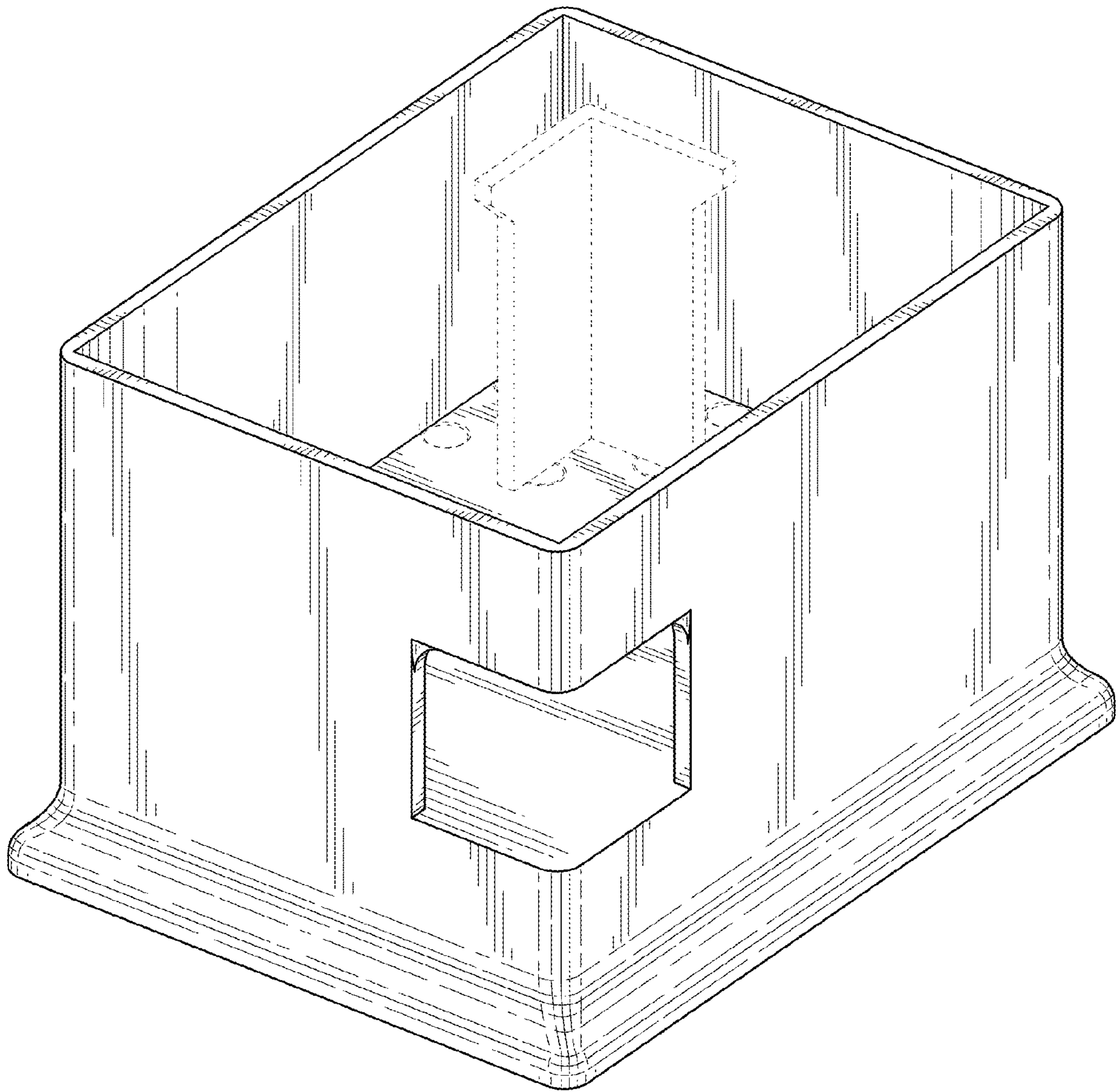


FIG. 1

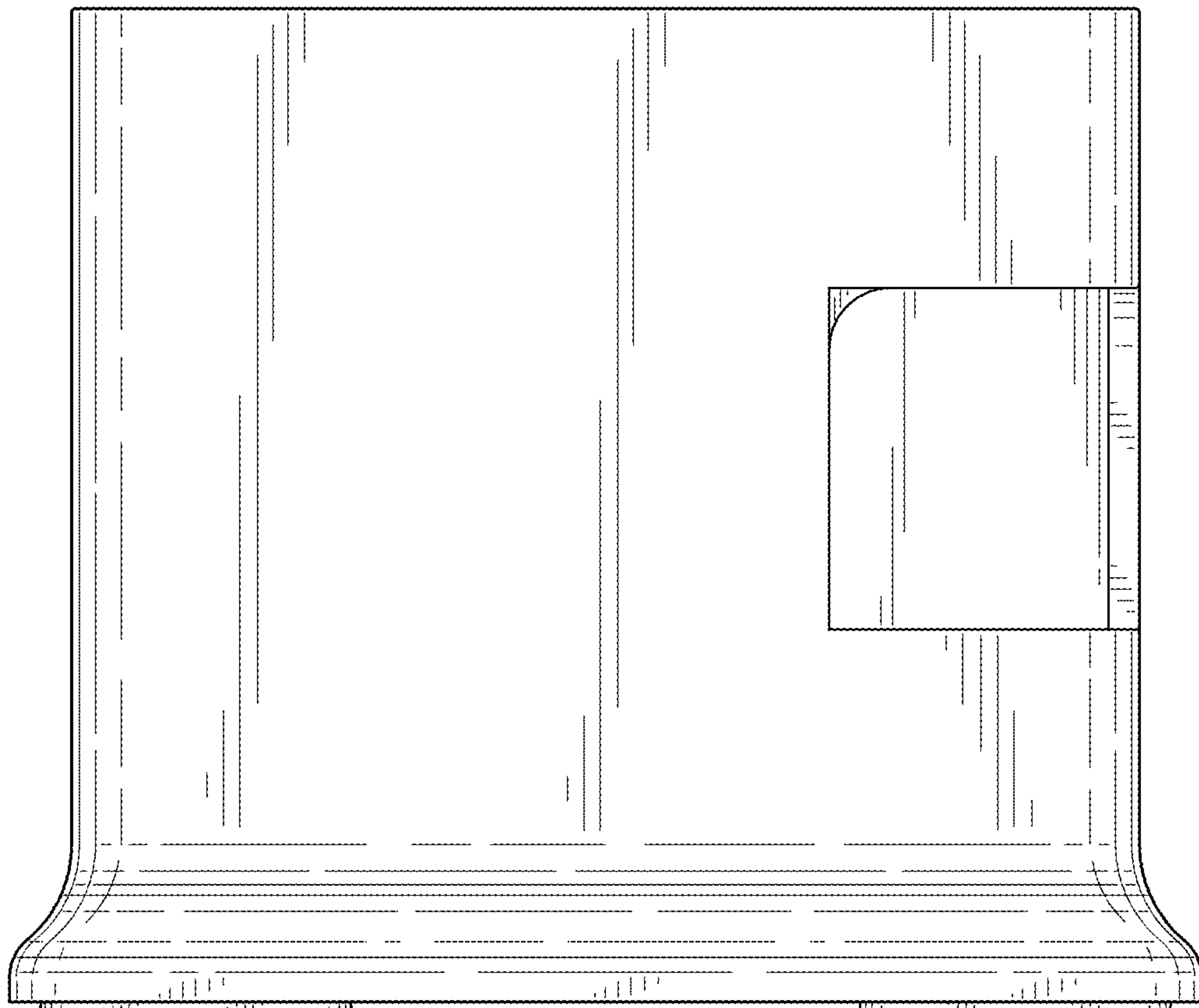


FIG. 2

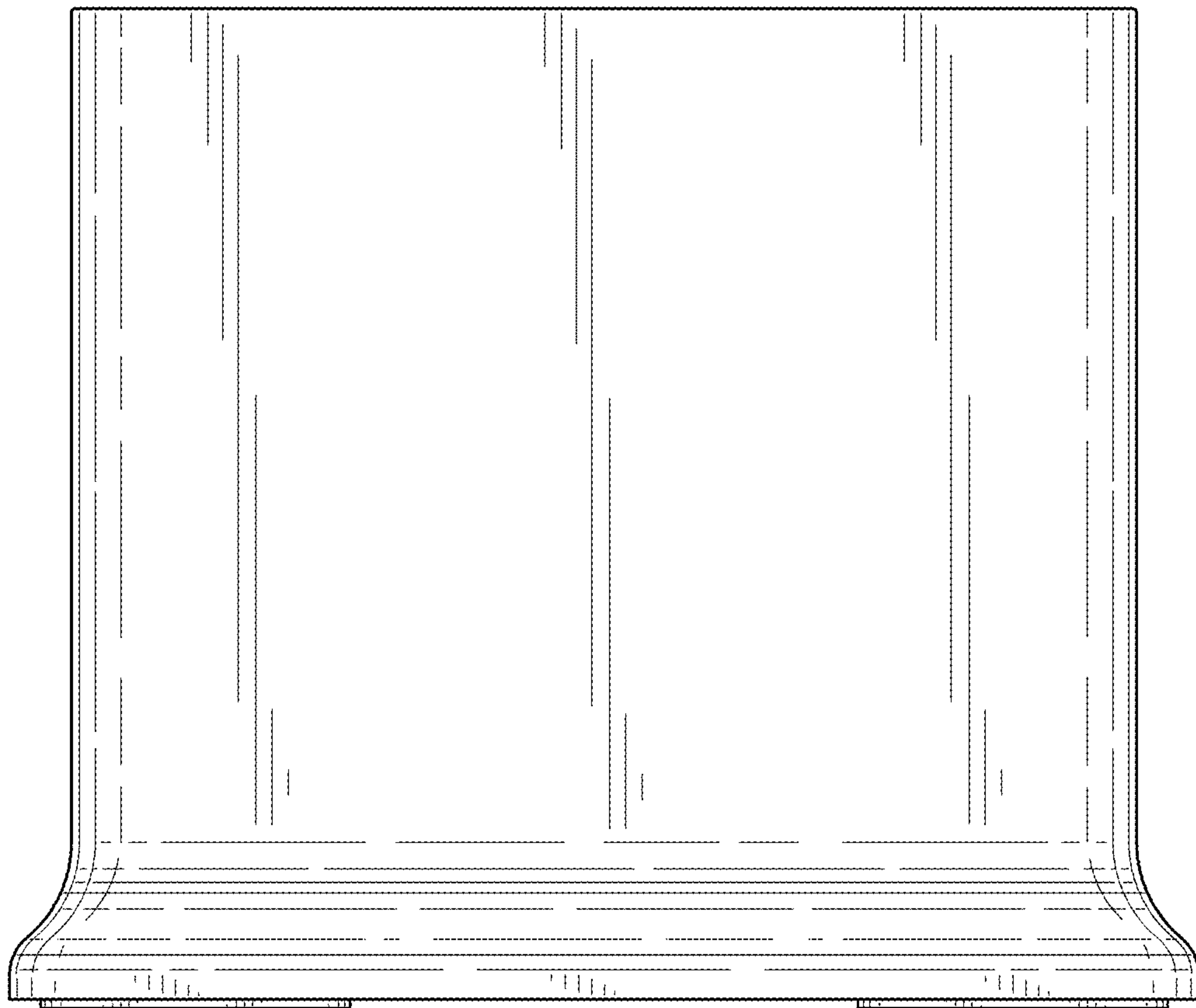


FIG. 3



FIG. 4

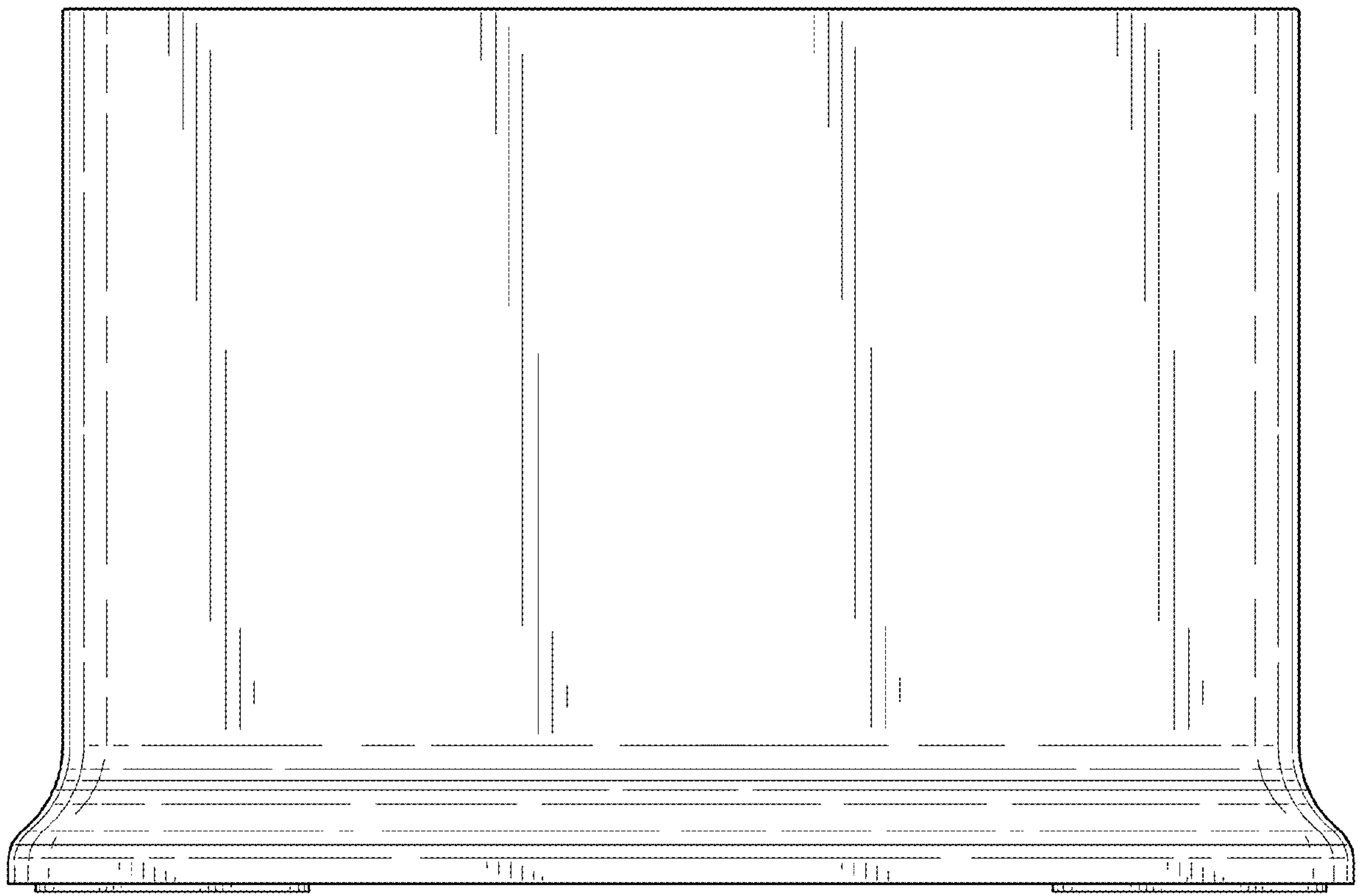


FIG. 5

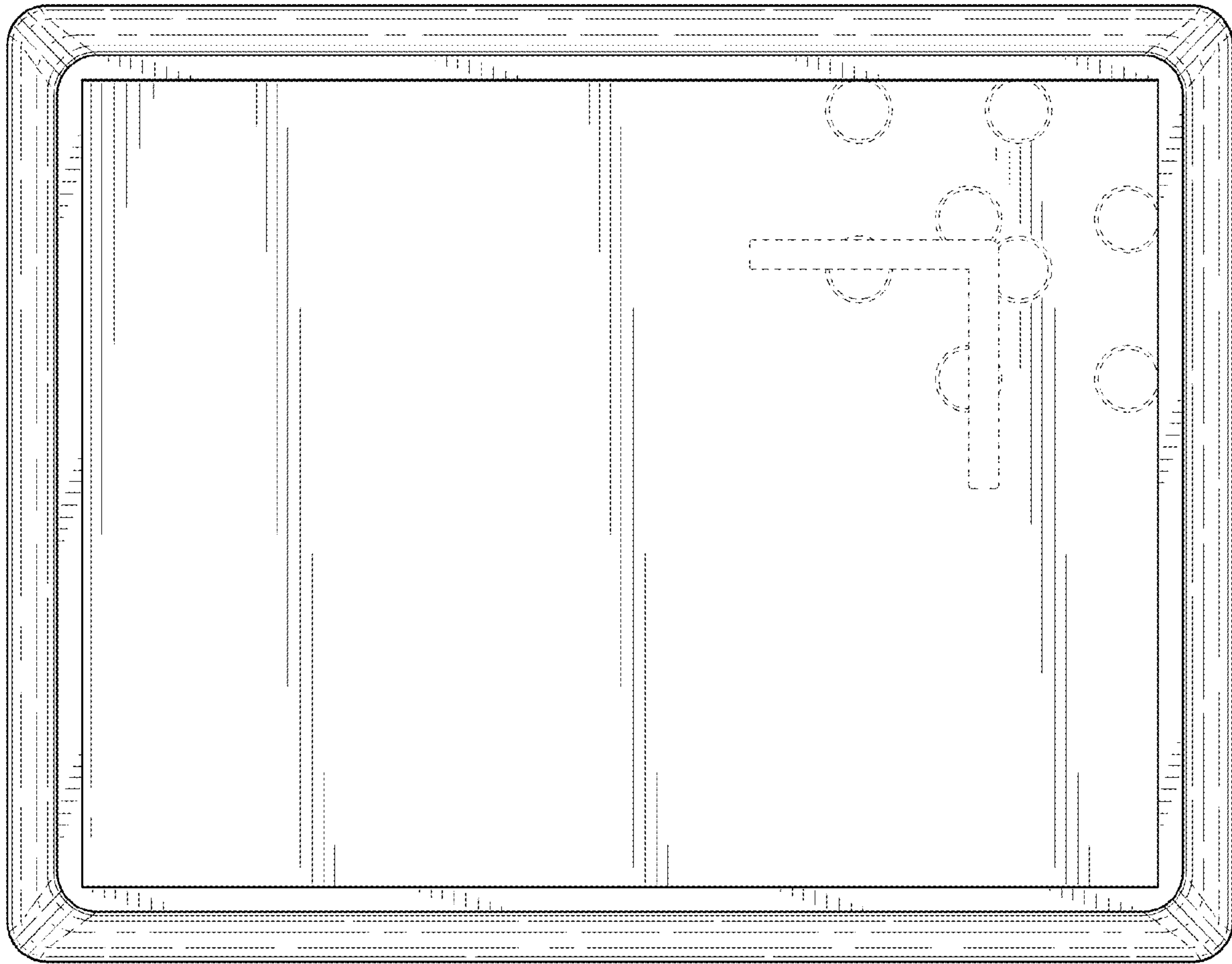


FIG. 6

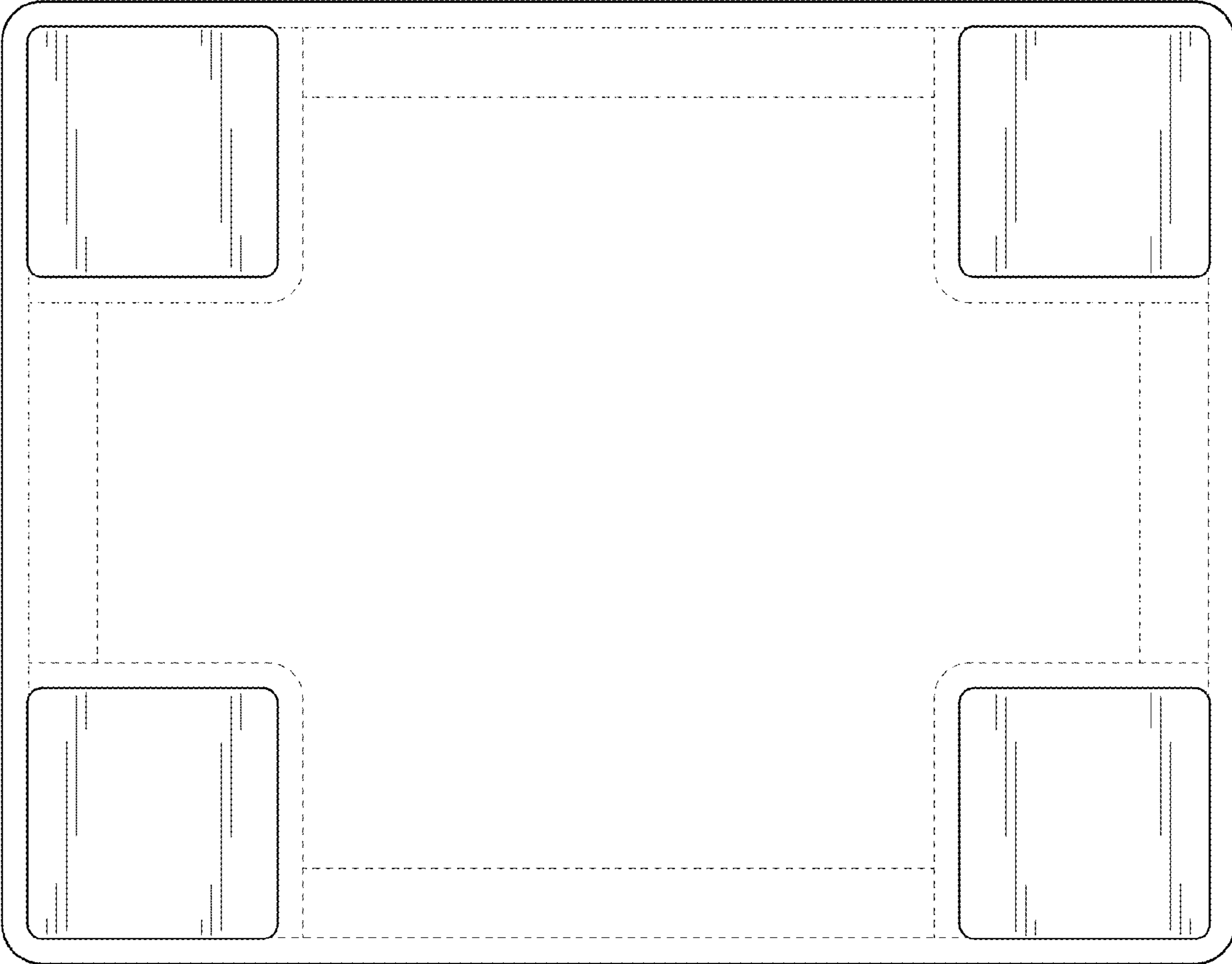


FIG. 7

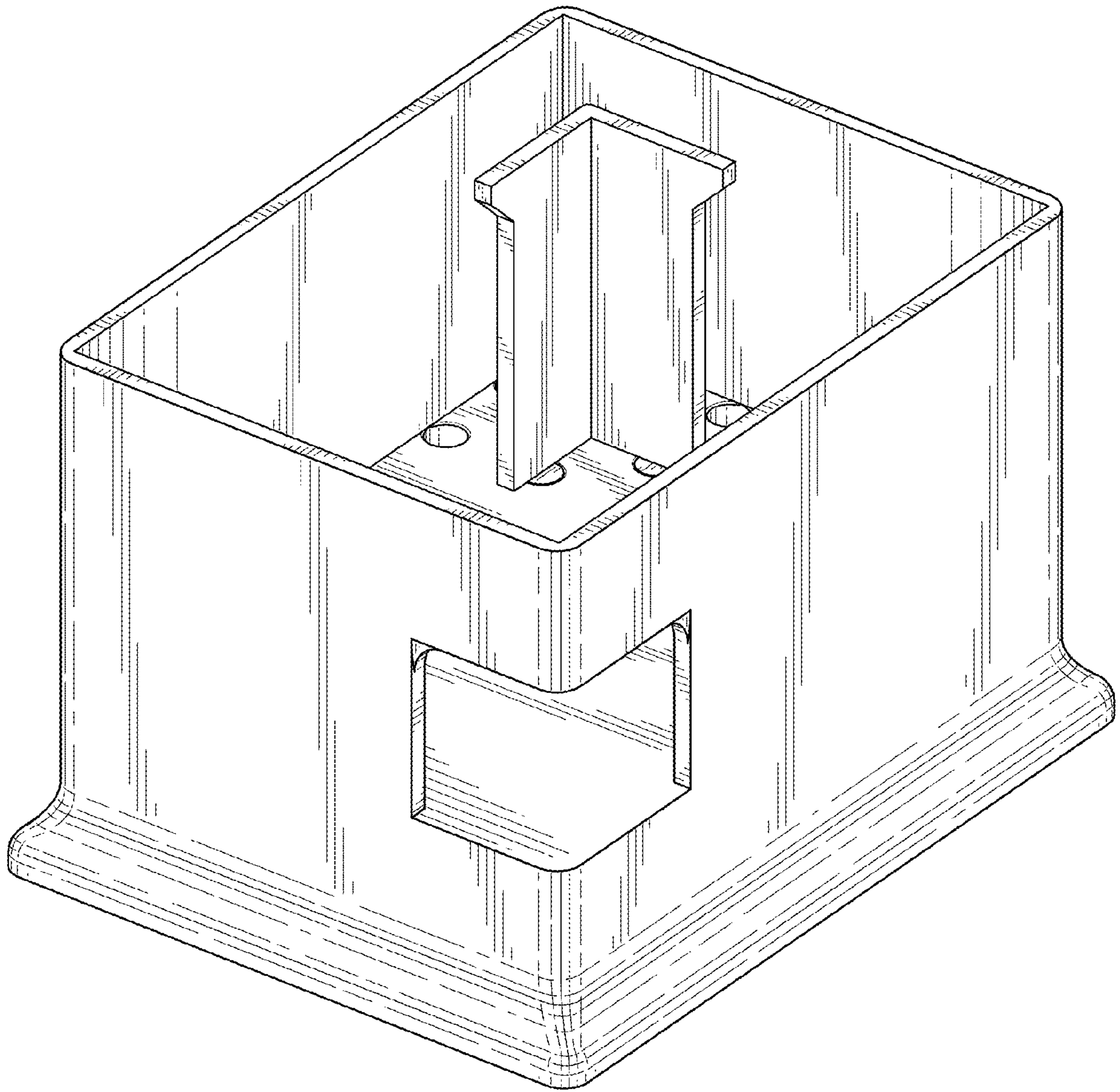


FIG. 8

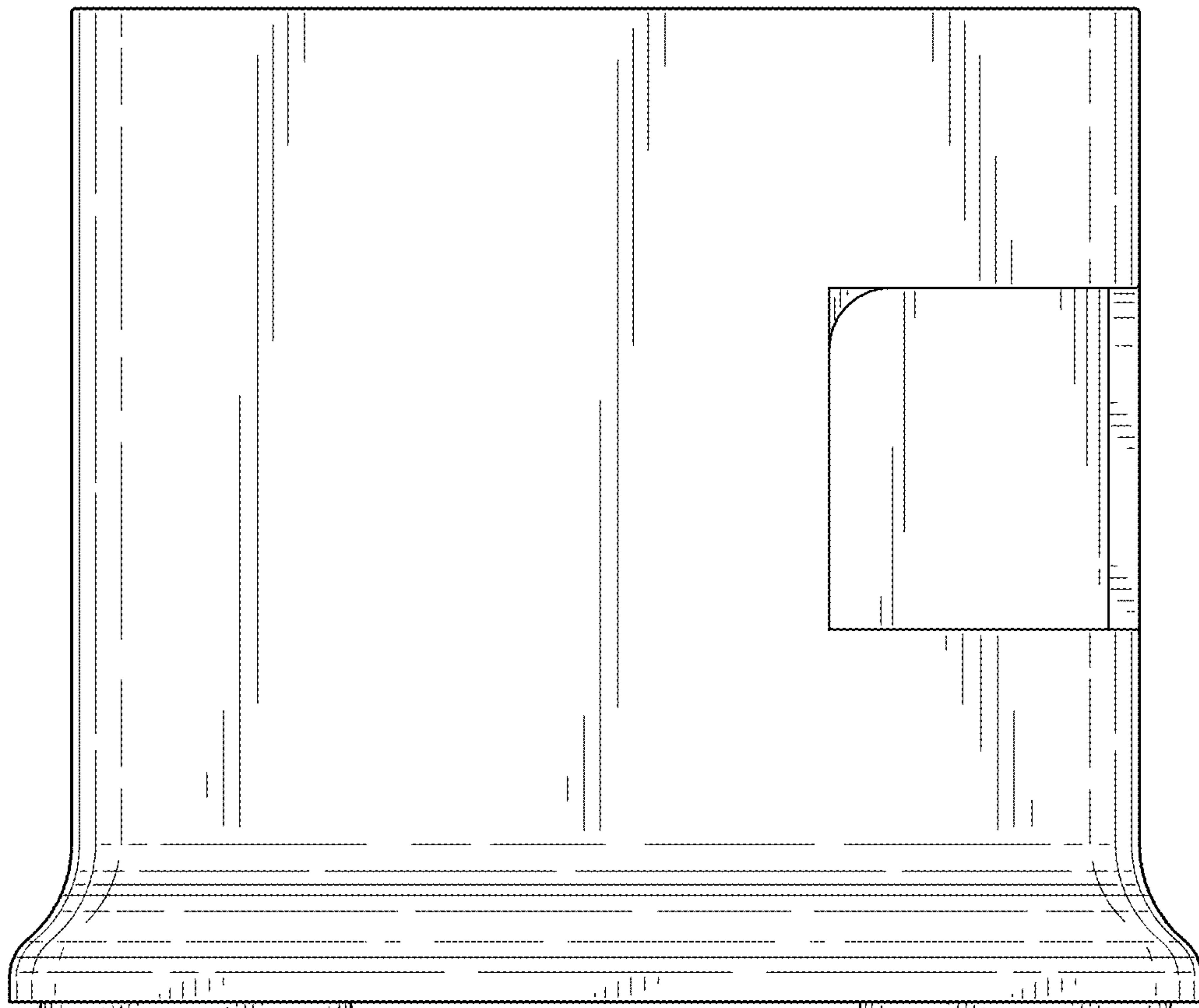


FIG. 9

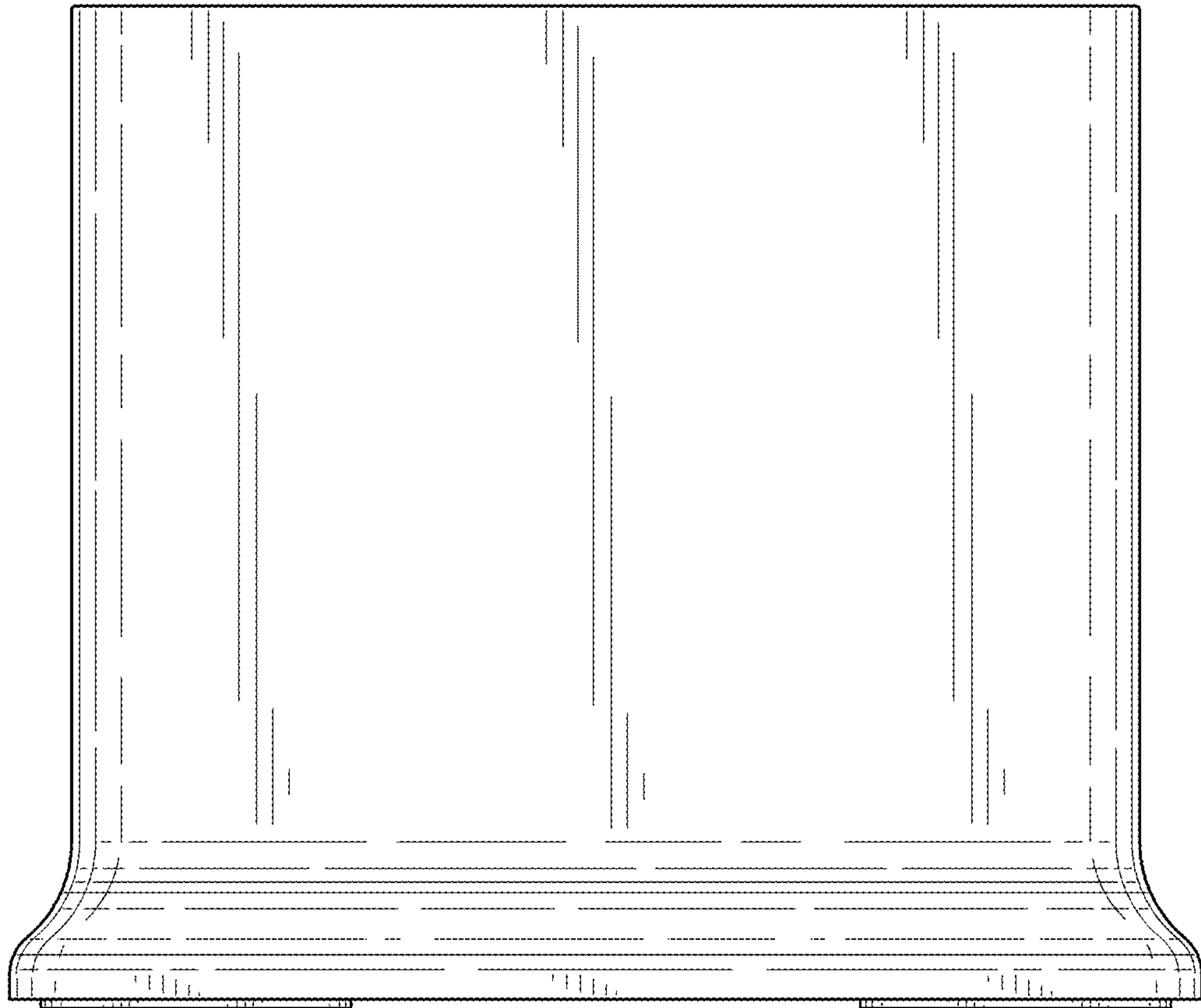


FIG. 10



FIG. 11

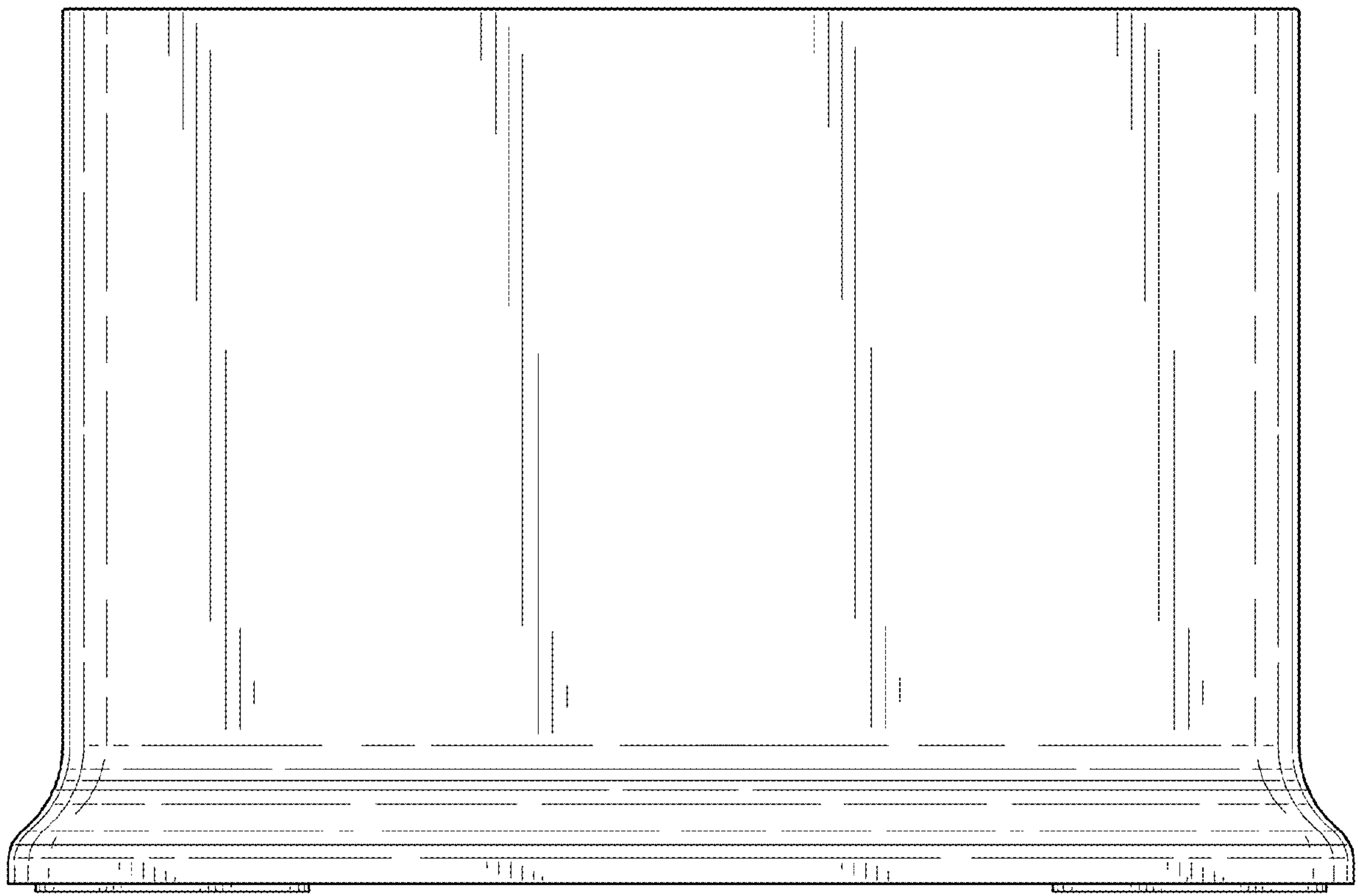


FIG. 12

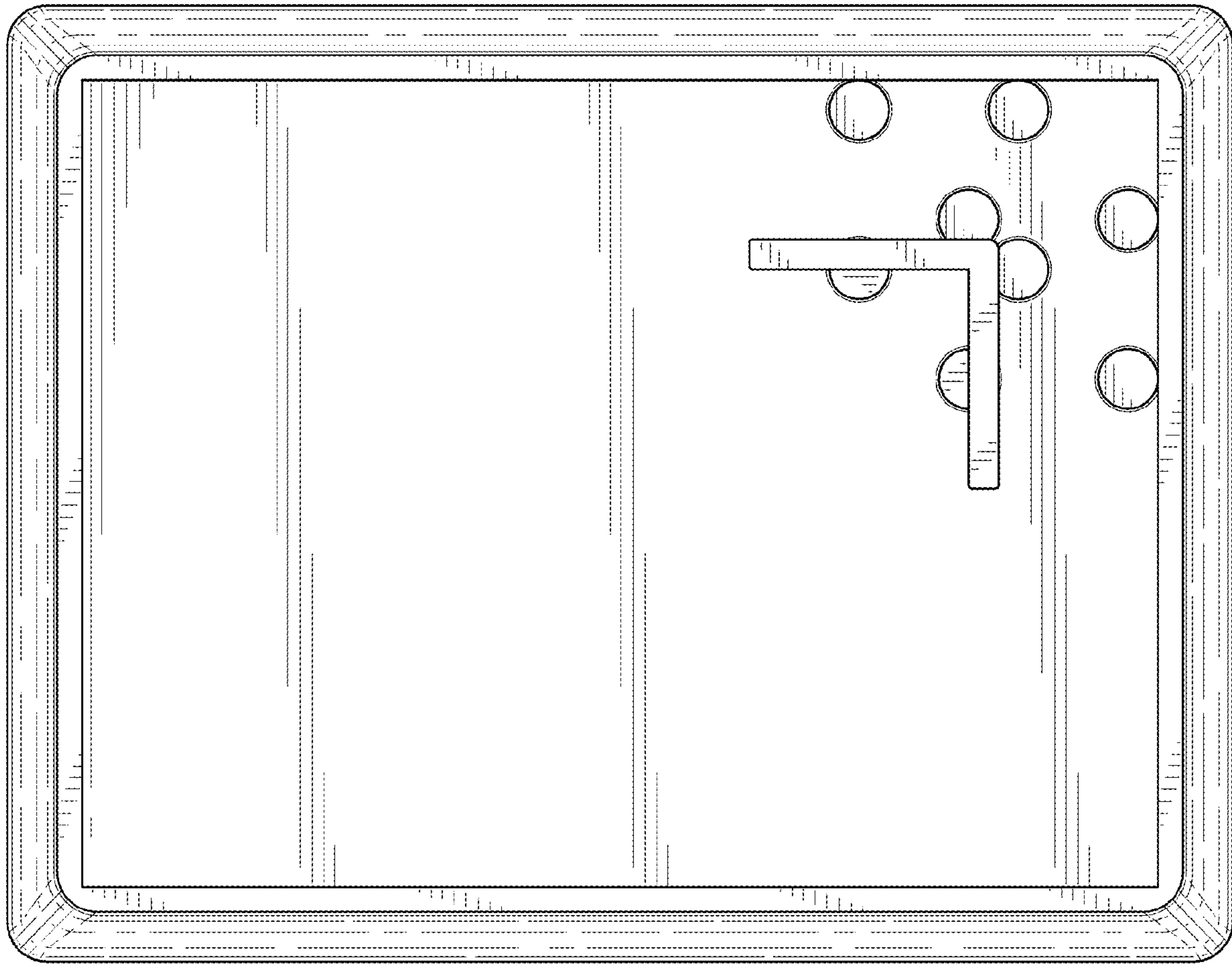


FIG. 13

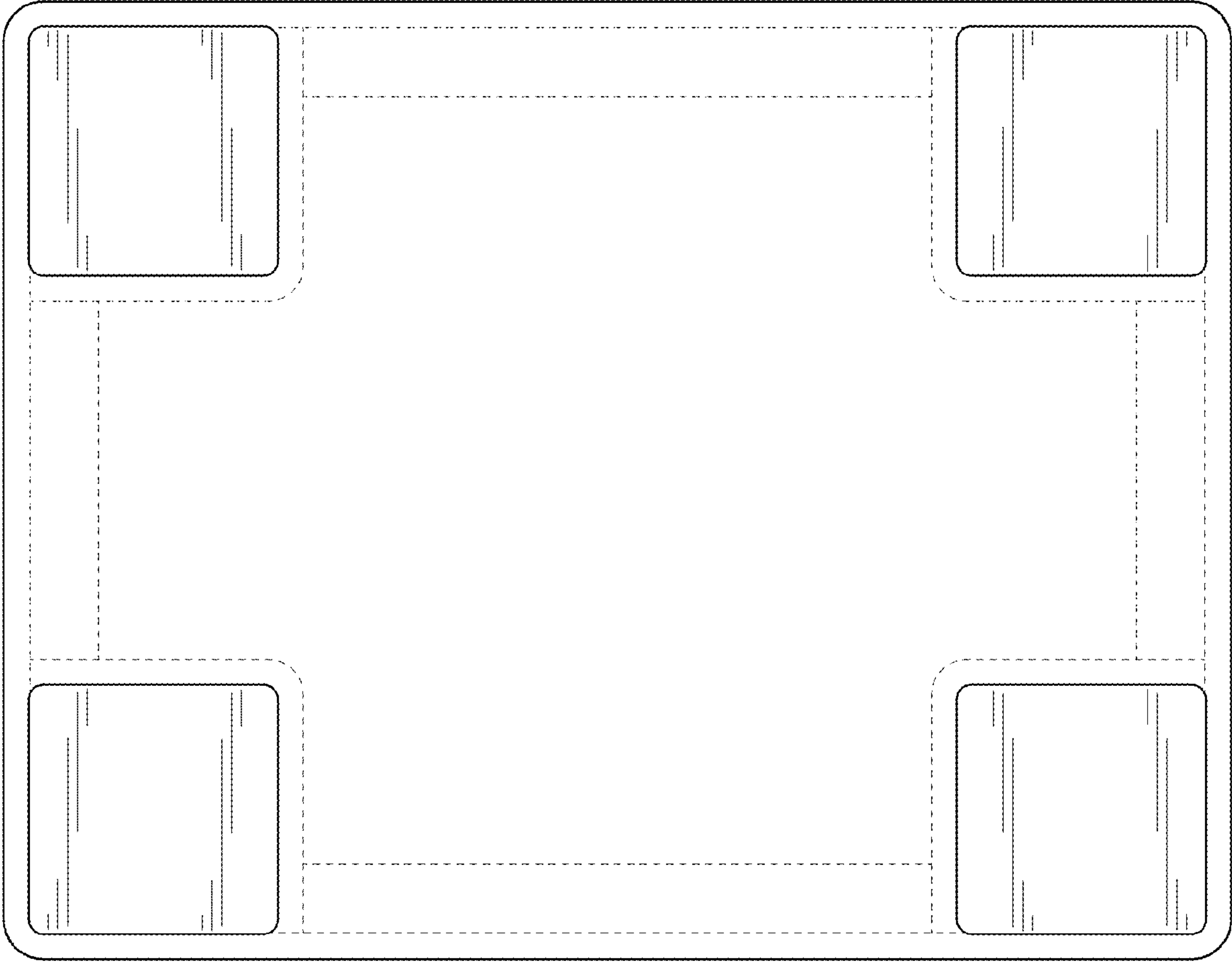


FIG. 14