



US00D916362S

(12) **United States Design Patent** (10) **Patent No.:** **US D916,362 S**
Runge (45) **Date of Patent:** **** Apr. 13, 2021**

(54) **CAP FOR AN ELECTRONIC VAPORIZER**

D825,332 S * 8/2018 Miksovsky D9/446
D848,057 S 5/2019 Lomeli
D853,238 S * 7/2019 Yao D9/436

(71) Applicant: **Dion Runge**, Prescott, AZ (US)

(Continued)

(72) Inventor: **Dion Runge**, Prescott, AZ (US)

(**) Term: **15 Years**

(21) Appl. No.: **29/712,797**

(22) Filed: **Nov. 12, 2019**

(51) **LOC (13) Cl.** **27-02**

(52) **U.S. Cl.**
USPC **D27/162**

(58) **Field of Classification Search**
USPC D27/162, 100, 101, 163–165, 172,
D27/174–176, 183, 185–194; D24/110,
D24/110.5; D23/366; D32/8, 12;
D9/446, 445, 436, 435
CPC A24F 47/002; A24F 47/006; A24F 47/008;
A61M 15/00; A61M 15/06
See application file for complete search history.

OTHER PUBLICATIONS

Vape cap, Authentic Vapesoon Universal Silicon Sanitary Cap by 3F Vape BY:KA V9 RTA found on line (2019) <https://www.3fvape.com/misc/12802-authentic-vapesoon-universal-silicone-sanitary-cap-combo-anti-slip-vape-band-anti-dust-cap-black.html#>. X7Km5NpKiF4
 Nov. 16, 2020.*

(Continued)

Primary Examiner — Marissa J Cash
Assistant Examiner — Rebecca Tsehaye
(74) *Attorney, Agent, or Firm* — Suzanne Kikel, Patent Agent

(57) **CLAIM**

The ornamental design for a cap for an electronic vaporizer, as shown and described.

(56) **References Cited**

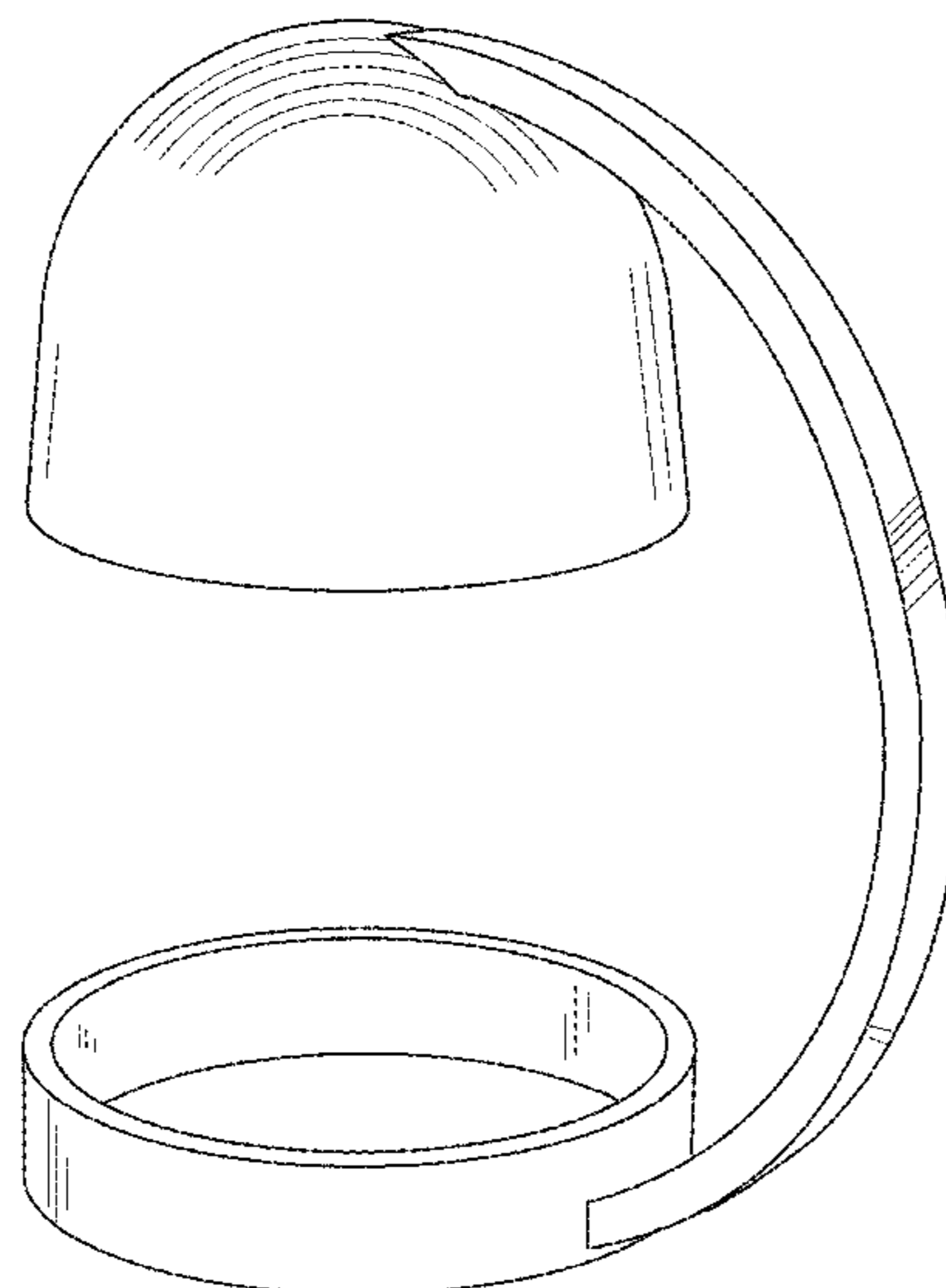
U.S. PATENT DOCUMENTS

D478,005 S * 8/2003 Sali D9/435
D512,272 S * 12/2005 Avrish D19/84
D526,743 S * 8/2006 Battista, III D19/197
D528,910 S * 9/2006 Kingsley D7/392.1
D570,053 S * 5/2008 Burrowes D28/91.1
D588,912 S * 3/2009 Christensen D9/434
D639,414 S * 6/2011 Berndt D23/366
D643,289 S * 8/2011 Harlan D9/455
D676,318 S * 2/2013 MacNeill D9/446
D714,142 S * 9/2014 Hojo D9/436
D726,365 S 4/2015 Weigensberg
9,055,770 B2 6/2015 Liu
D734,537 S * 7/2015 Farley D27/194
D742,064 S 10/2015 Leidel
D749,780 S 2/2016 Bramley et al.
D750,487 S * 3/2016 Marina D9/436
9,771,189 B2 * 9/2017 Miksovsky B65D 47/122
D812,988 S * 3/2018 Seiders D7/622
D813,668 S * 3/2018 Miller D9/446

DESCRIPTION

FIG. 1 is a perspective, right side view of a cap for an electronic vaporizer, showing my new design.
FIG. 2 is a perspective, right side view of the cap for an electronic vaporizer of FIG. 1 in a closed position and attached to an electronic vaporizer.
FIG. 3 is a front elevation view of the cap for an electronic vaporizer of FIG. 1.
FIG. 4 is a rear elevation view thereof.
FIG. 5 is a left side view thereof.
FIG. 6 is a right side view thereof.
FIG. 7 is a top plan view thereof; and,
FIG. 8 is a bottom plan view thereof.
The broken lines showing in FIG. 2 of an electronic vaporizer depict environmental subject matter and form no part of the claimed design.

1 Claim, 8 Drawing Sheets



(56)

References Cited

U.S. PATENT DOCUMENTS

D881,006 S * 4/2020 Prentice D9/446
2005/0023238 A1 * 2/2005 Wong B65D 55/16
215/252
2015/0181928 A1 7/2015 Liu

OTHER PUBLICATIONS

Water bottle cap By: Vitscan, found on Amazon Sep. 19, 2019
<https://www.amazon.com/Easy-clean-Leakproof-Shatterproof-Motivational-Marking/product-reviews/B082BLYZ6X/ref=> Nov. 16, 2020.*

* cited by examiner

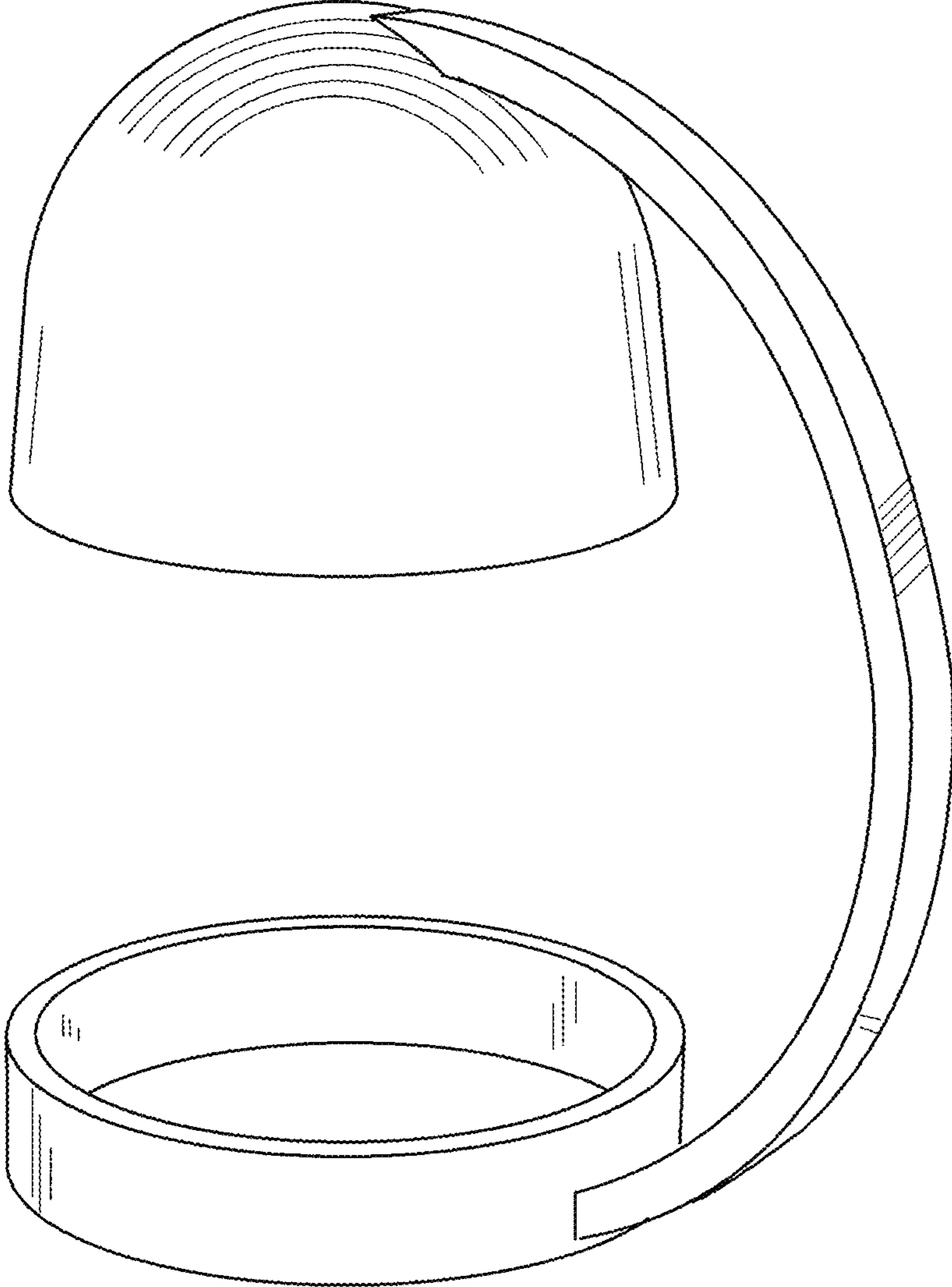


FIG. 1

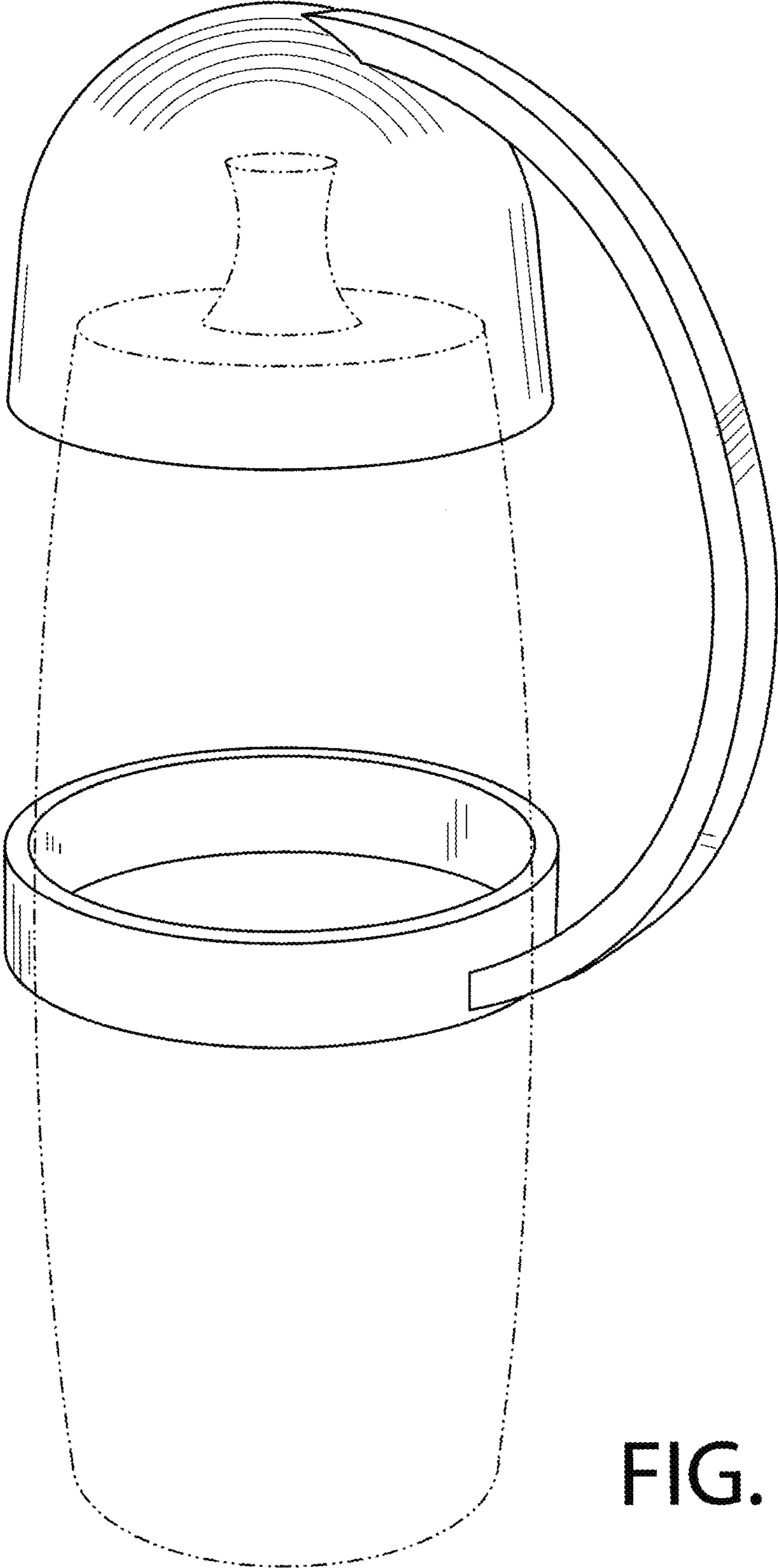


FIG. 2

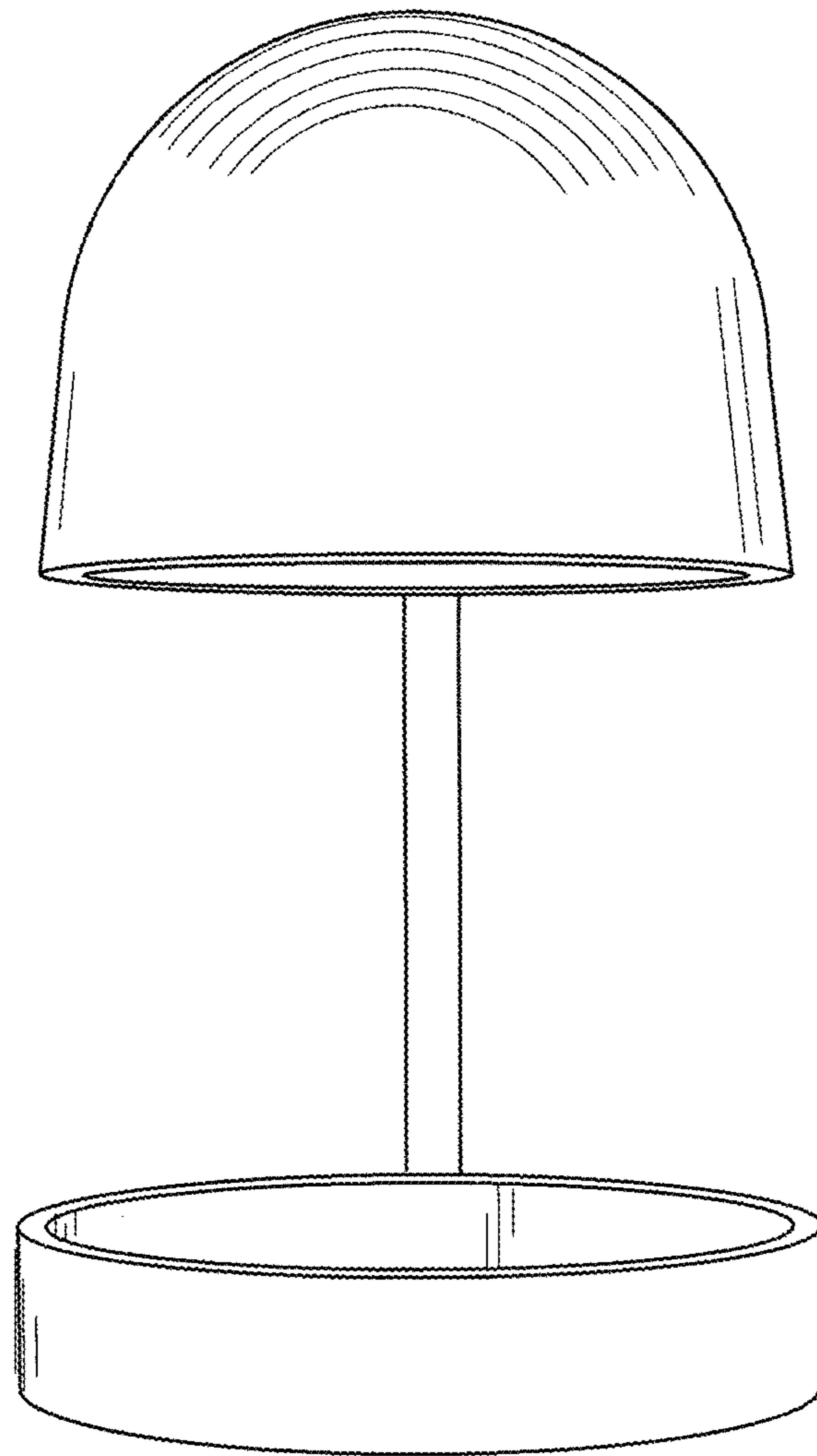


FIG. 3

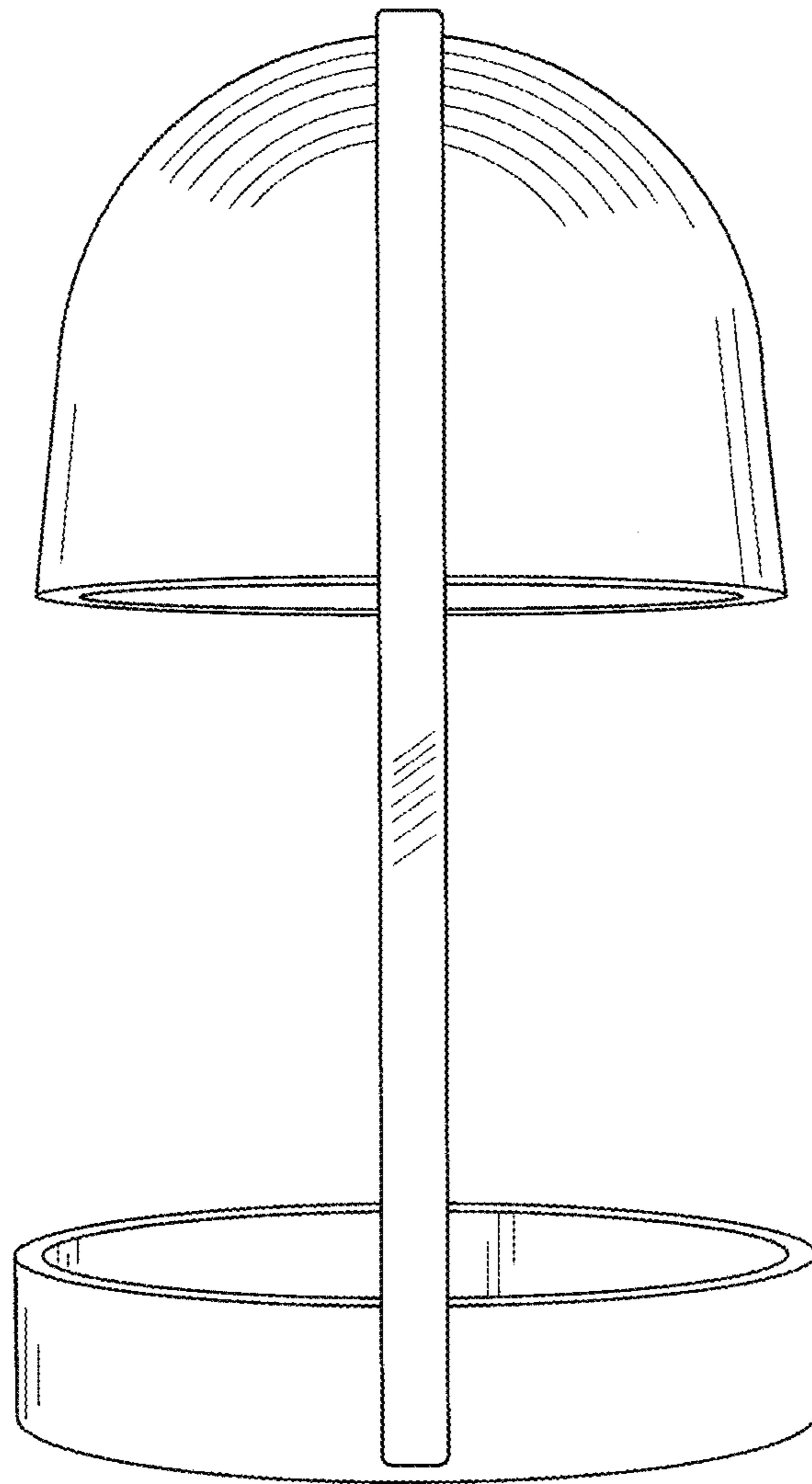


FIG. 4

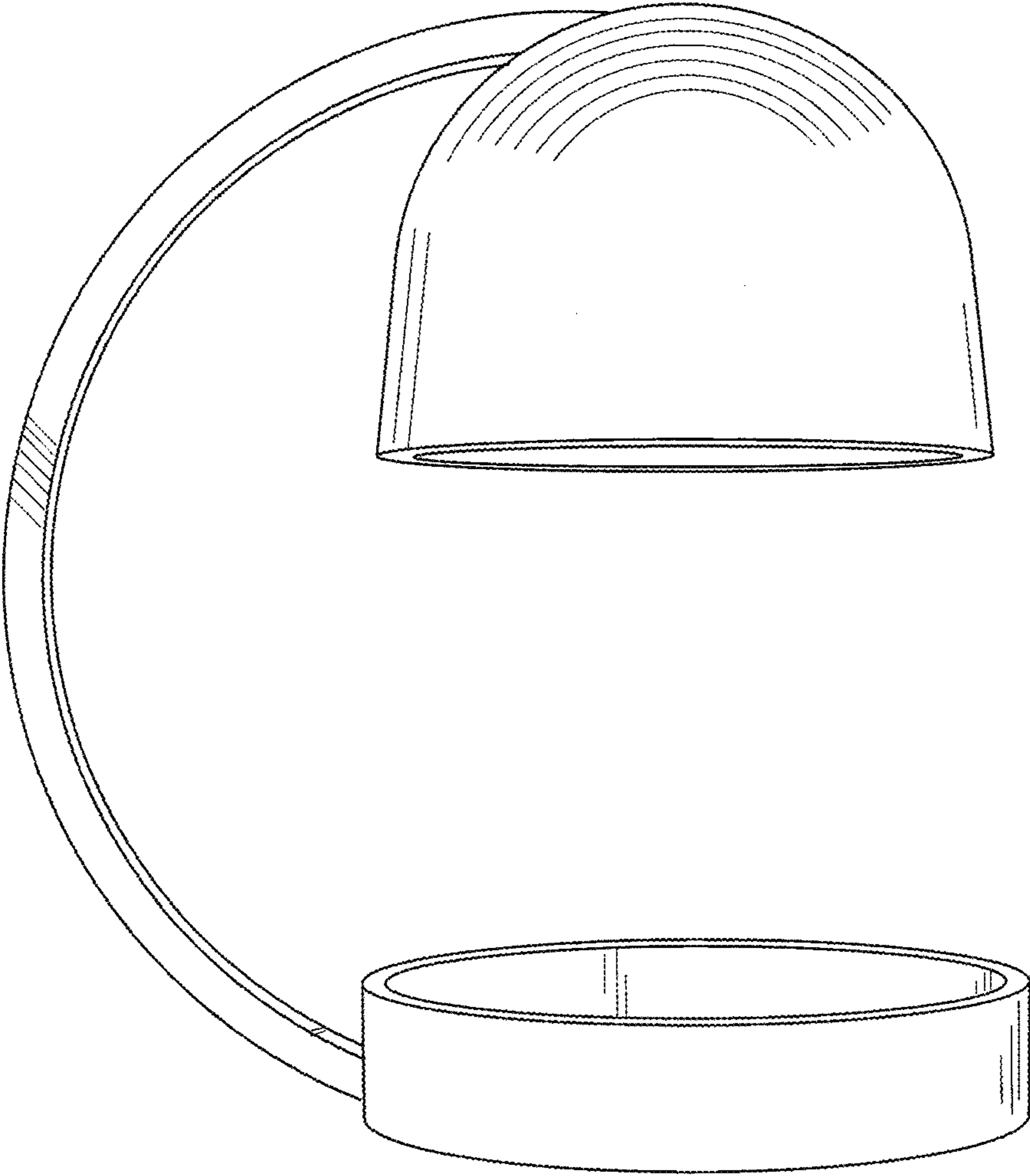


FIG. 5

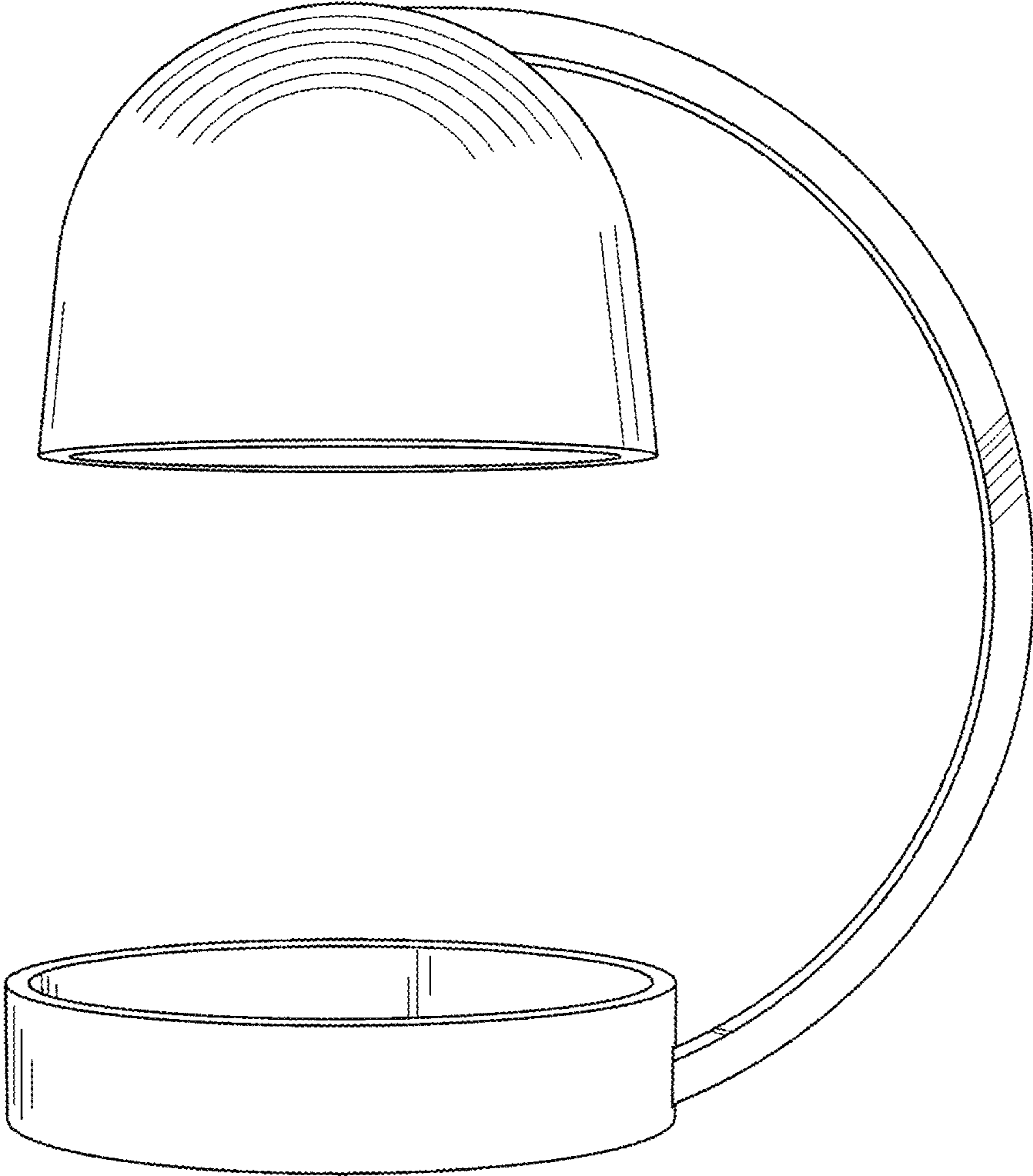


FIG. 6

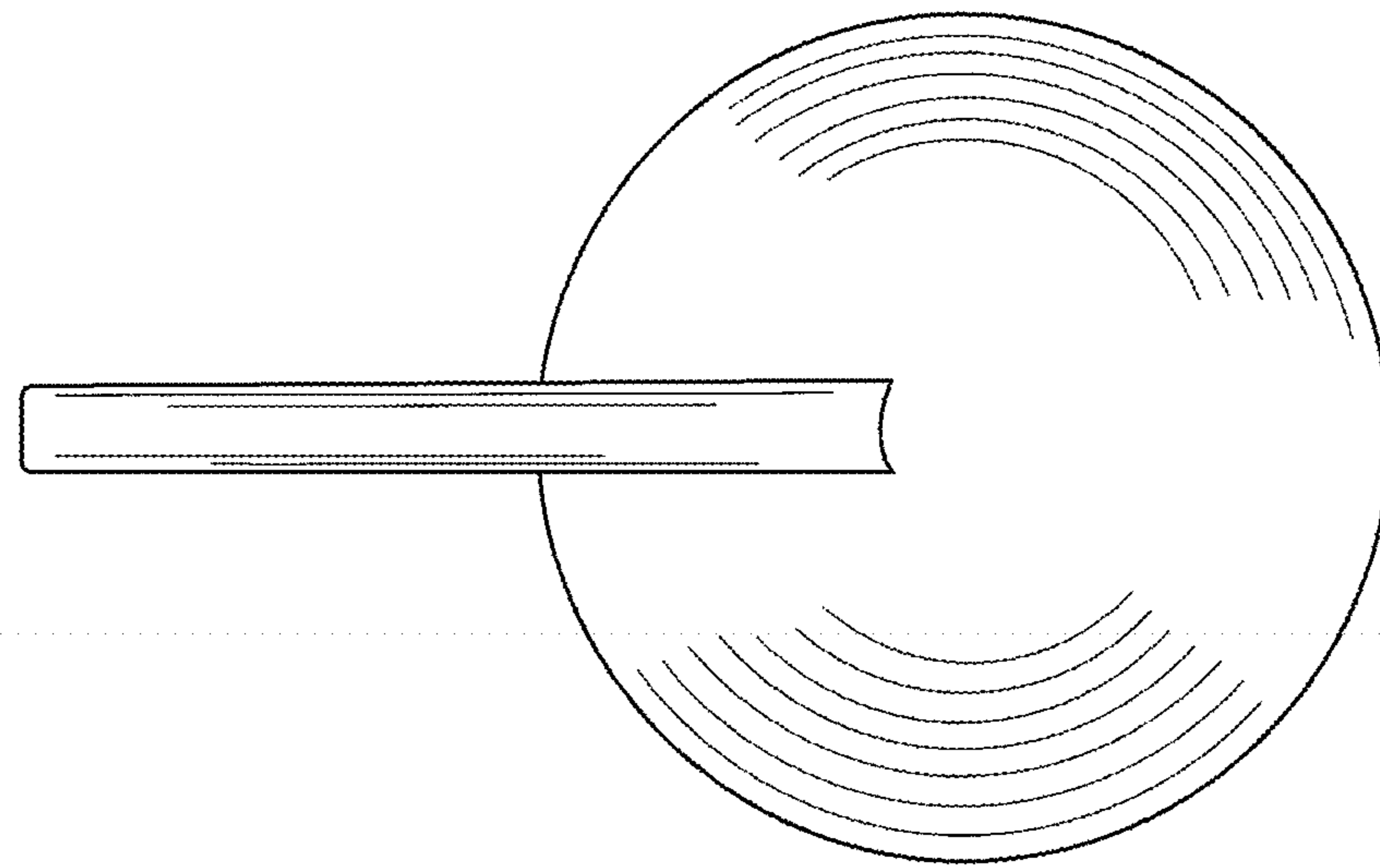


FIG. 7

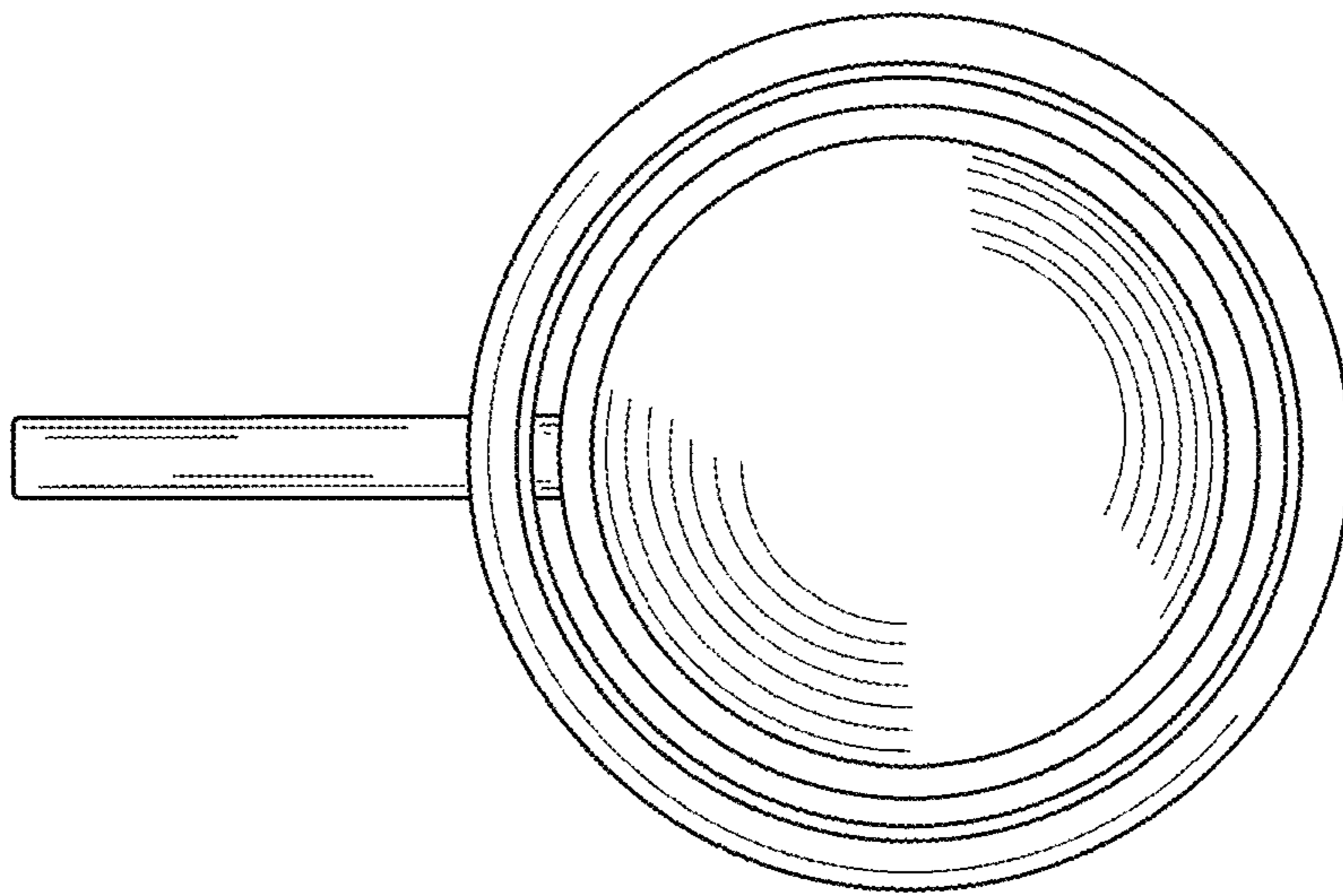


FIG. 8