



US00D916360S

(12) **United States Design Patent** (10) **Patent No.:** **US D916,360 S**
Liu (45) **Date of Patent:** **** Apr. 13, 2021**

(54) **ELECTRONIC CIGARETTE**
(71) Applicant: **Shenzhen Smoore Technology Limited**, Guandong (CN)

D826,471 S * 8/2018 Wang D27/167
D849,317 S * 5/2019 Qiu D27/162
D849,318 S * 5/2019 Deng D27/162
(Continued)

(72) Inventor: **Yu Liu**, Shenzhen (CN)
(73) Assignee: **SHENZHEN SMOORE TECHNOLOGY LIMITED**, Shenzhen (CN)

OTHER PUBLICATIONS

Electronic Cigarette by Yu Liu found on line: E-Cigarette Vapes (814/2020) <https://www.smoketastic.com/#vapepens> (814/2020).*

Primary Examiner — Marissa J Cash
Assistant Examiner — Rebecca Tsehaye

(**) Term: **15 Years**
(21) Appl. No.: **29/691,395**

(57) **CLAIM**

The ornamental design for an electronic cigarette, as shown and described.

(22) Filed: **May 15, 2019**

(30) **Foreign Application Priority Data**

DESCRIPTION

Nov. 20, 2018 (CN) 201830659898.2

(51) **LOC (13) Cl.** **27-02**

(52) **U.S. Cl.**
USPC **D27/162**

(58) **Field of Classification Search**
USPC D27/162, 100, 101, 163–165, 172, 174, D27/183, 185–194; D24/110, 110.5
CPC A24F 47/002; A24F 47/006; A24F 47/008; A61M 15/00; A61M 15/06
See application file for complete search history.

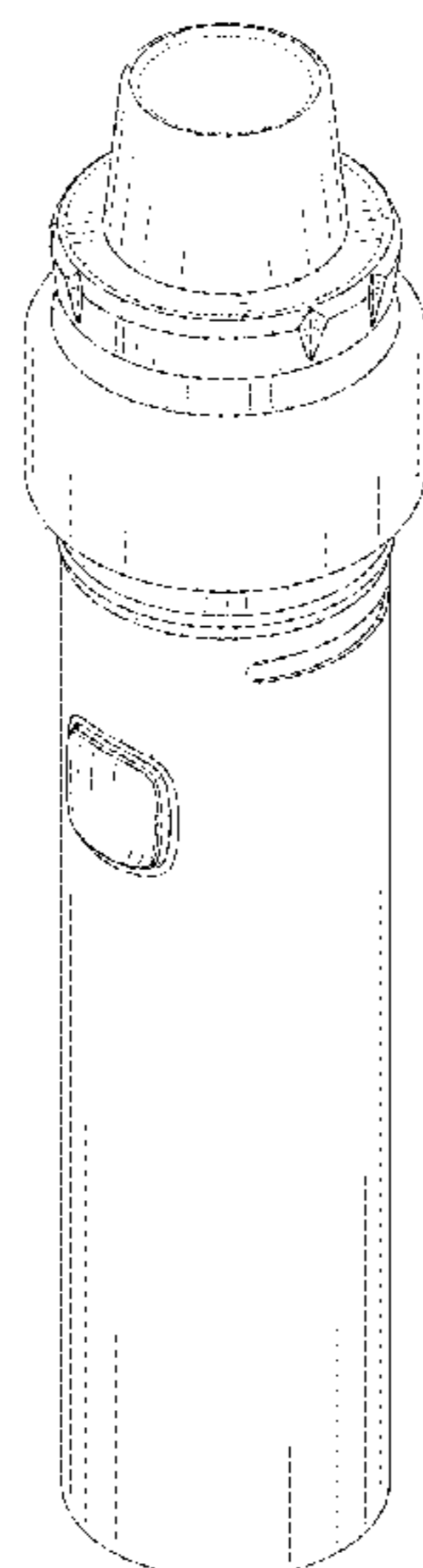
FIG. 1 is a perspective view of an electronic cigarette according to a first embodiment;
FIG. 2 is another perspective view thereof;
FIG. 3 is a front elevational view thereof;
FIG. 4 is a rear elevational view thereof;
FIG. 5 is a left side elevational view thereof;
FIG. 6 is a right side elevational view thereof;
FIG. 7 is a top plan view thereof;
FIG. 8 is an enlarged bottom plan view thereof;
FIG. 9 is a perspective view of an electronic cigarette according to a second embodiment;
FIG. 10 is another perspective view thereof;
FIG. 11 is a front elevational view thereof;
FIG. 12 is a rear elevational view thereof;
FIG. 13 is a left side elevational view thereof;
FIG. 14 is a right side elevational view thereof;
FIG. 15 is a top plan view thereof; and,
FIG. 16 is an enlarged bottom plan view thereof.
The broken lines in the drawings depict portions of the electronic cigarette that form no part of the claimed design. The oblique lines in the drawings indicate transparency.

(56) **References Cited**

U.S. PATENT DOCUMENTS

D695,450 S * 12/2013 Benassayag D27/163
D720,095 S * 12/2014 Alima D27/163
D724,264 S * 3/2015 Chambers D27/101
D751,249 S * 3/2016 Chen D27/101
D761,487 S * 7/2016 Han D27/162
D776,867 S * 1/2017 Rado D27/162
D776,868 S * 1/2017 Rado D27/162
D783,117 S * 4/2017 Gilbarte D22/117
D806,942 S * 1/2018 Qiu D27/101
D825,844 S * 8/2018 Verleur D27/167
D826,470 S * 8/2018 Huang D27/167

1 Claim, 14 Drawing Sheets



(56)

References Cited

U.S. PATENT DOCUMENTS

D877,975 S * 3/2020 Crowe D27/162
D882,165 S * 4/2020 Ouyang D27/162
D907,287 S * 1/2021 Wang D27/162
2016/0113327 A1* 4/2016 Wu H05B 3/06
131/329
2016/0295920 A1* 10/2016 Liu A24F 47/008
2017/0013881 A1* 1/2017 Liu A24F 47/008
2018/0279683 A1* 10/2018 Qiu A24F 47/008

* cited by examiner

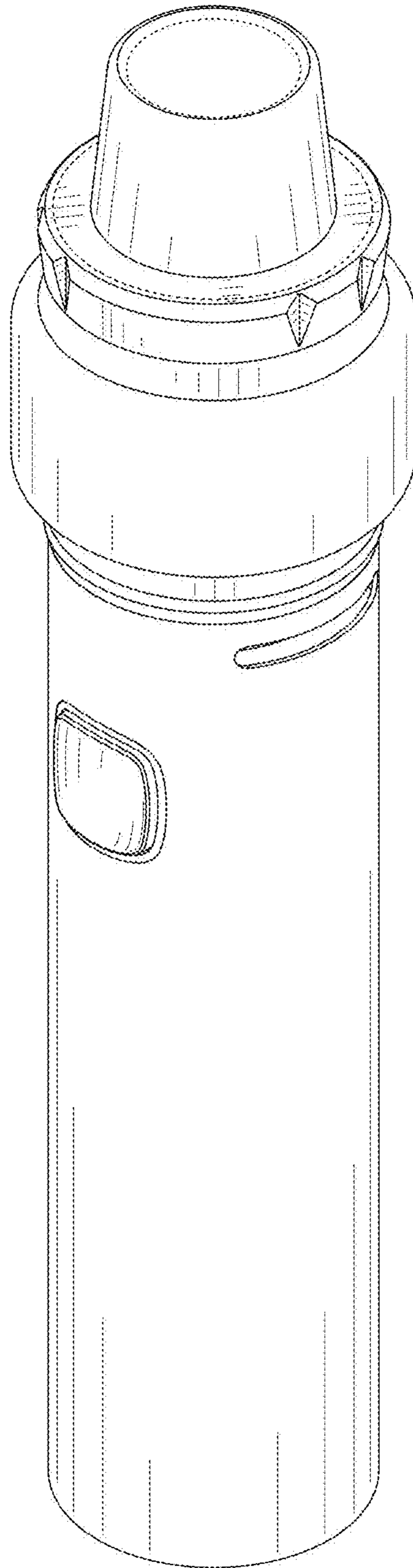


FIG. 1

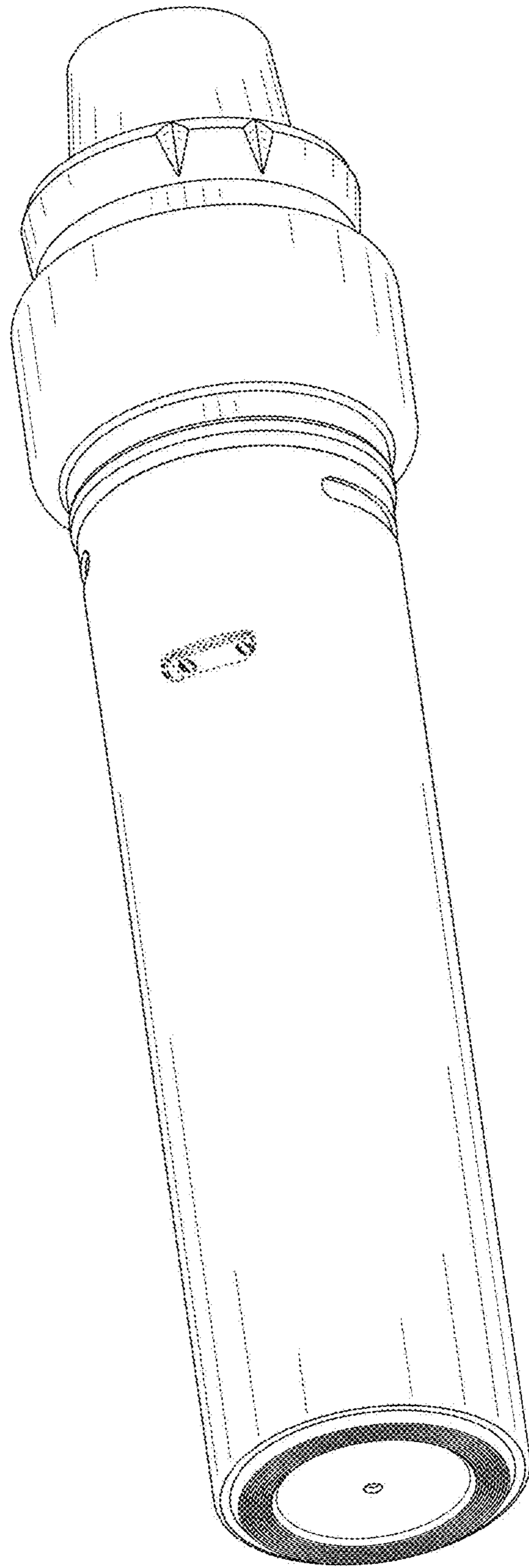


FIG. 2

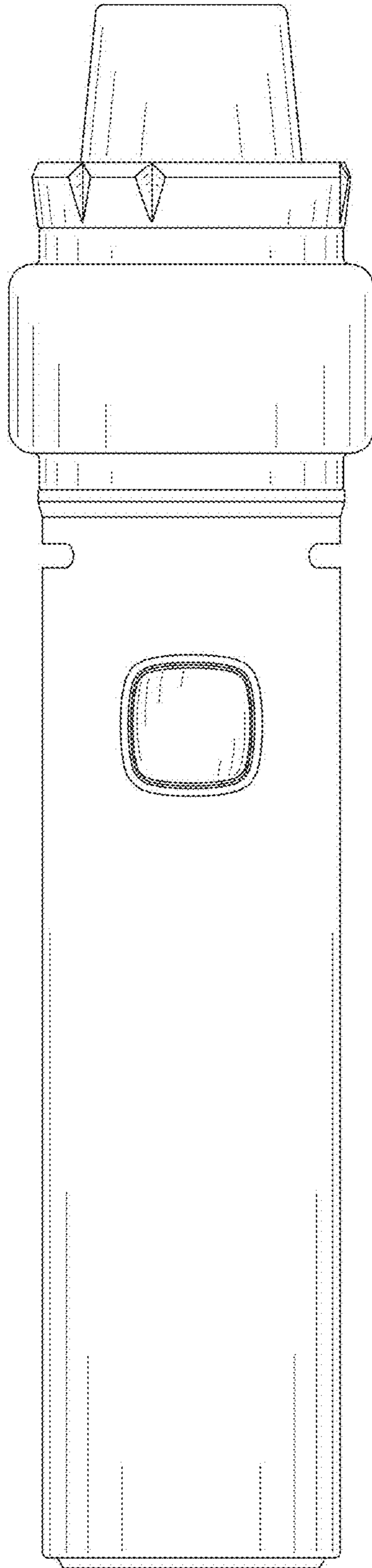


FIG. 3

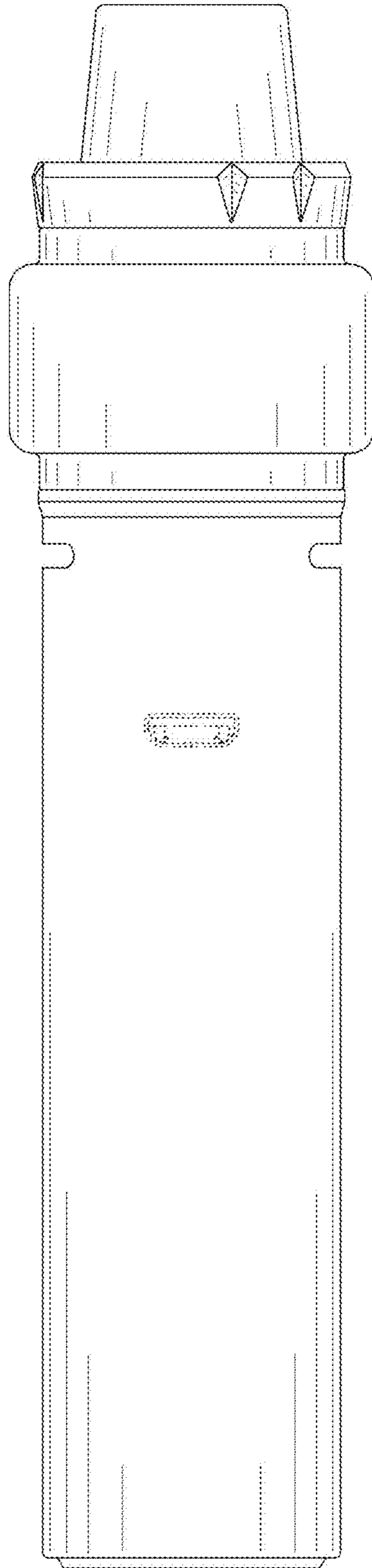


FIG. 4

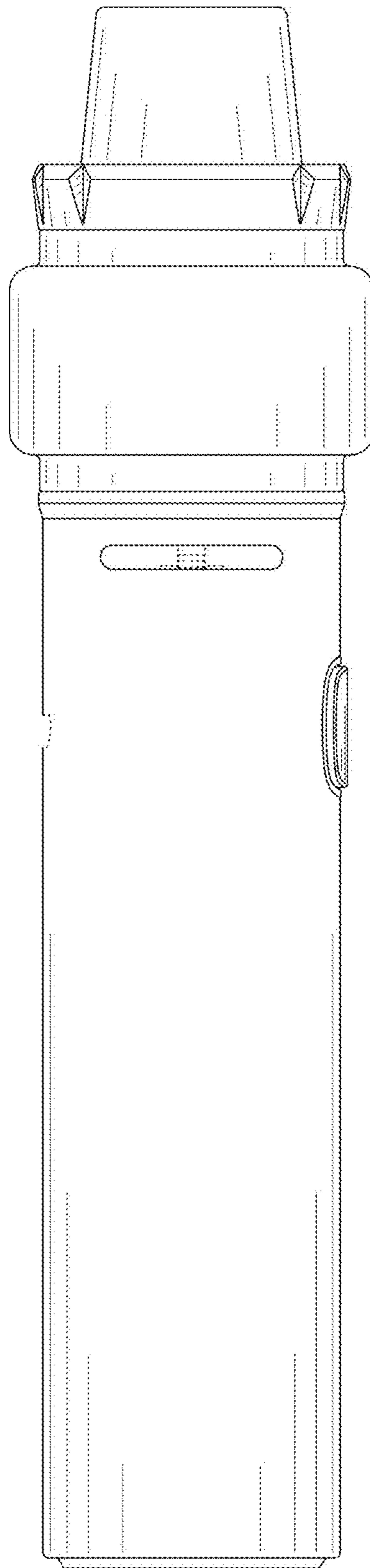


FIG. 5

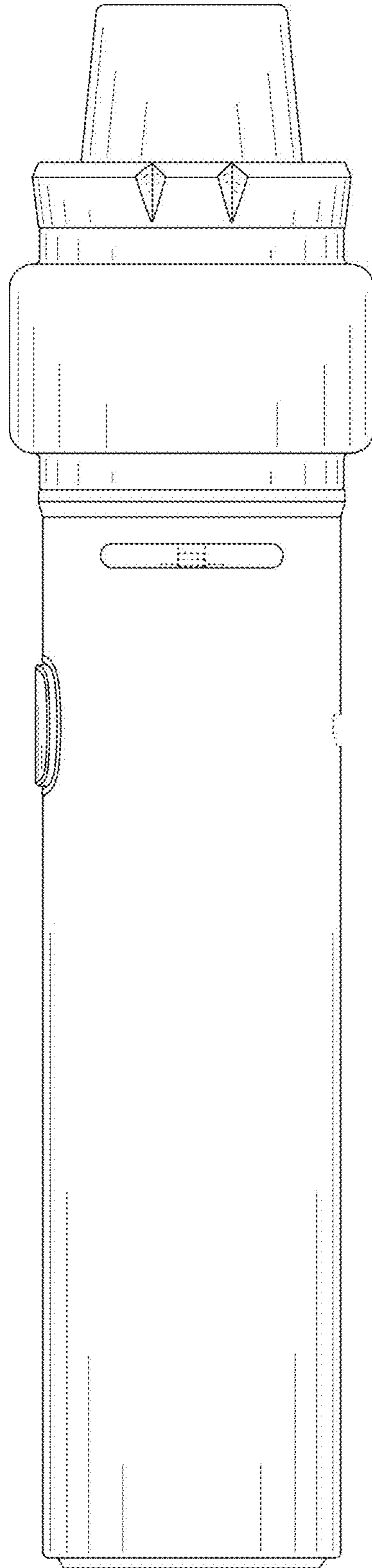


FIG. 6

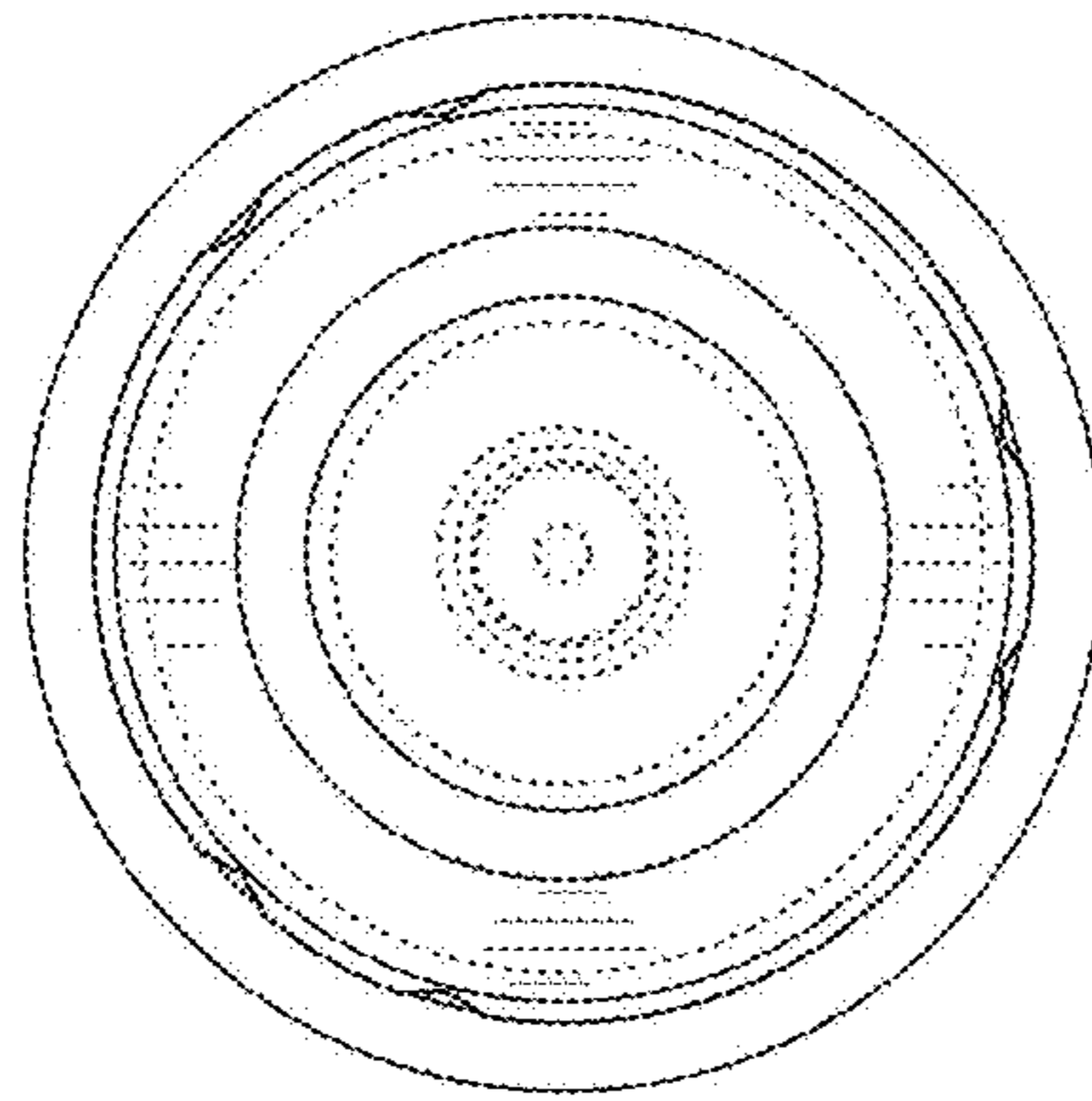


FIG. 7

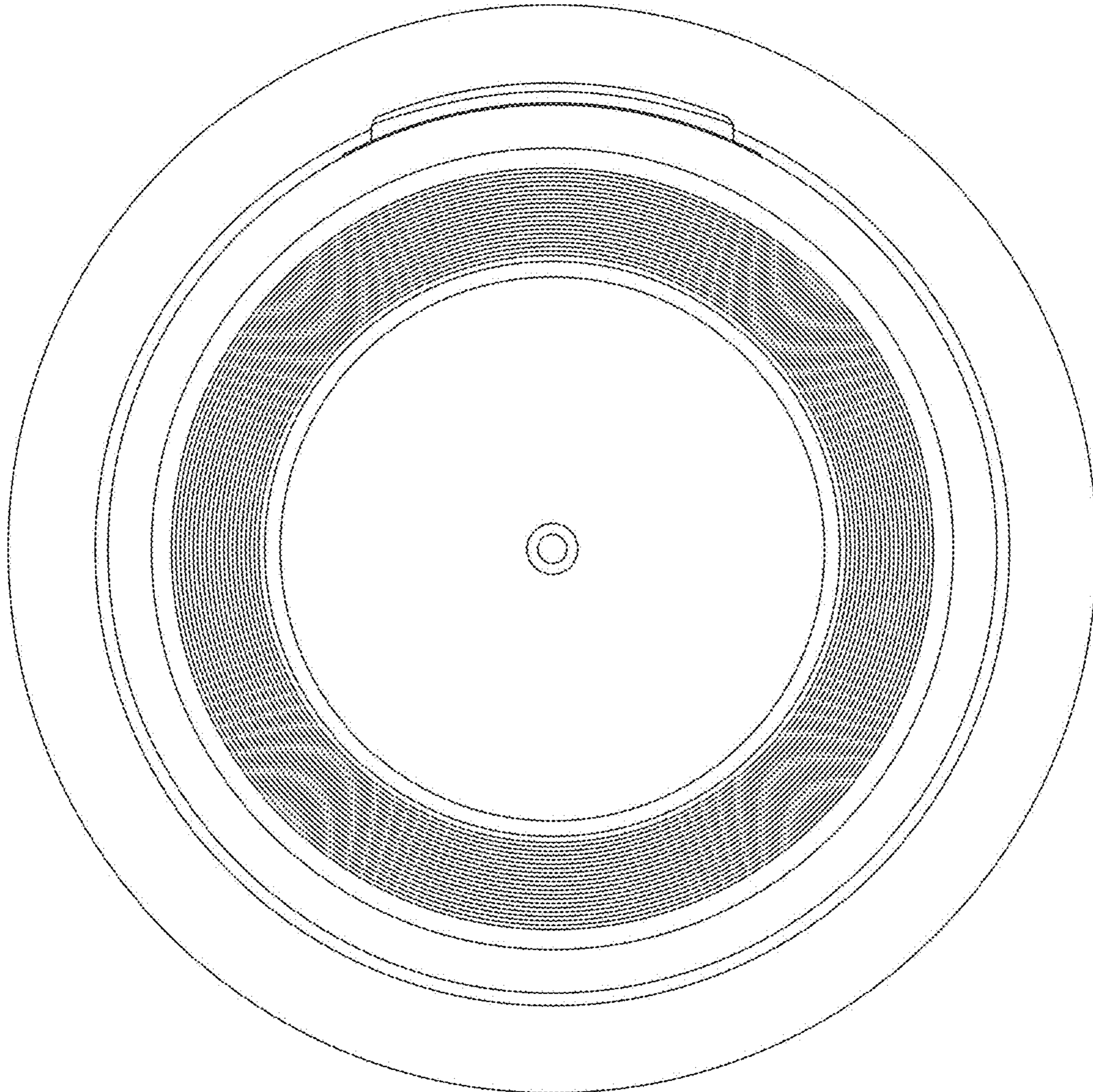


FIG. 8

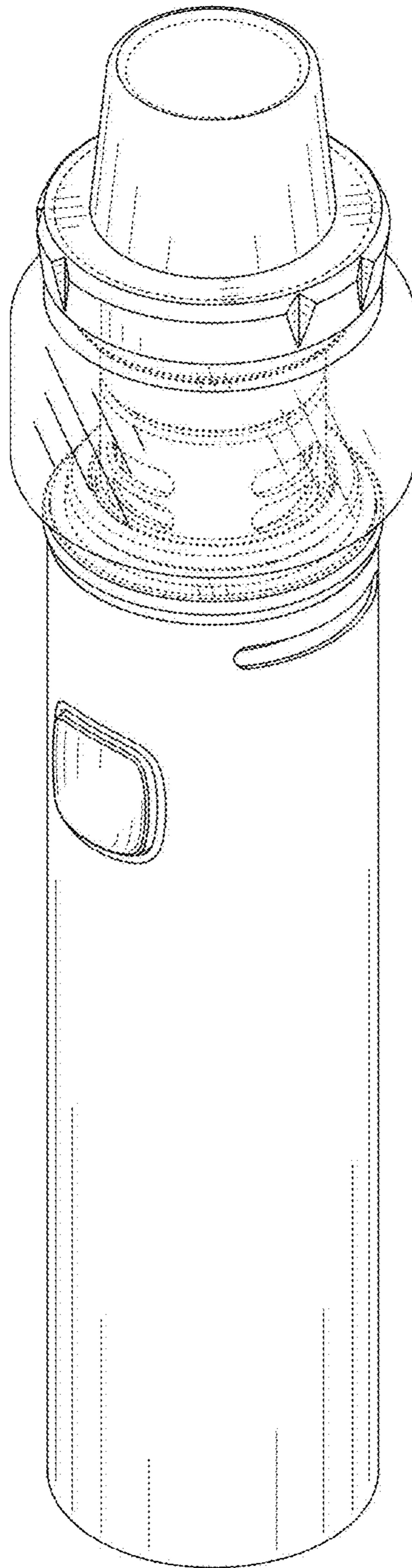


FIG. 9

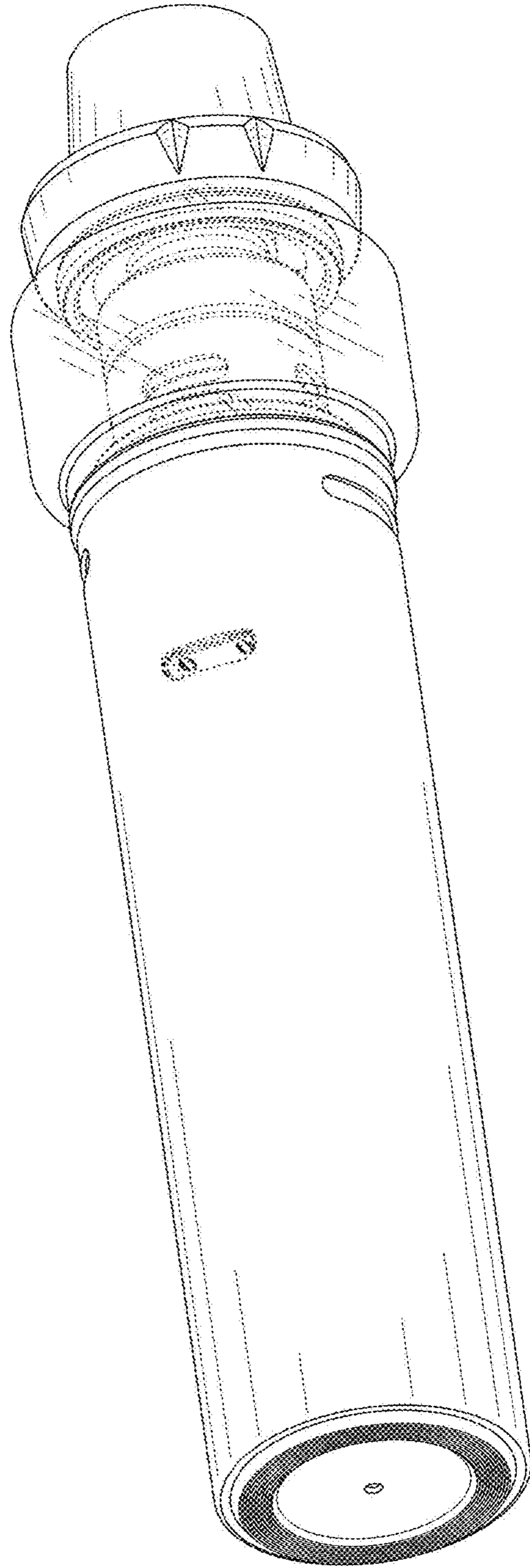


FIG. 10

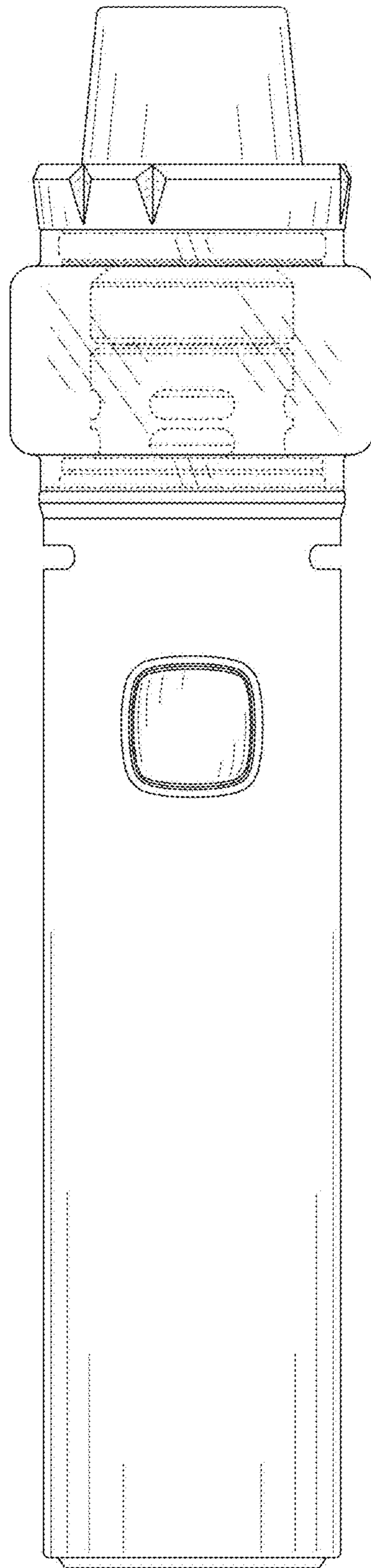


FIG. 11

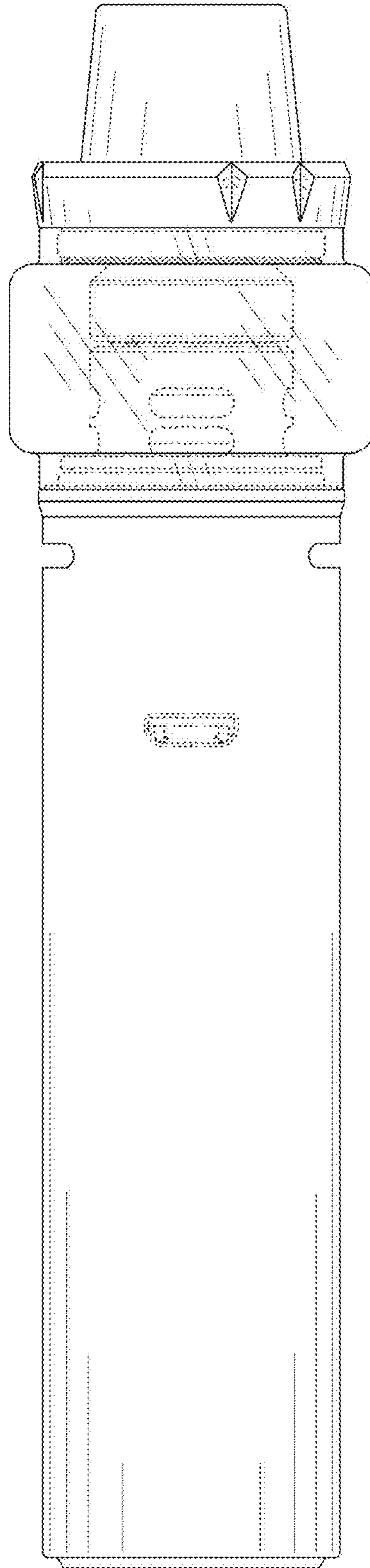


FIG. 12

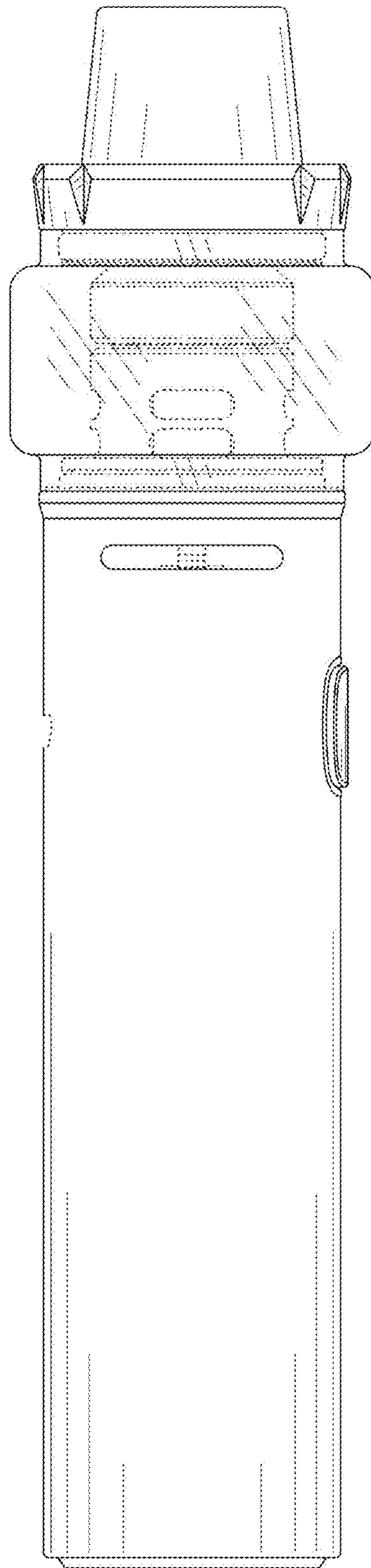


FIG. 13

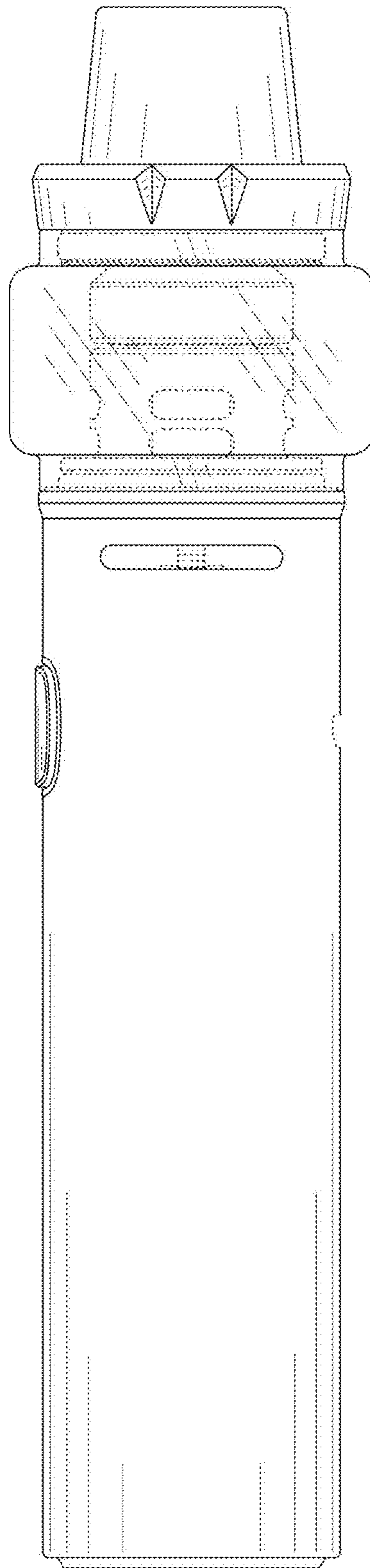


FIG. 14

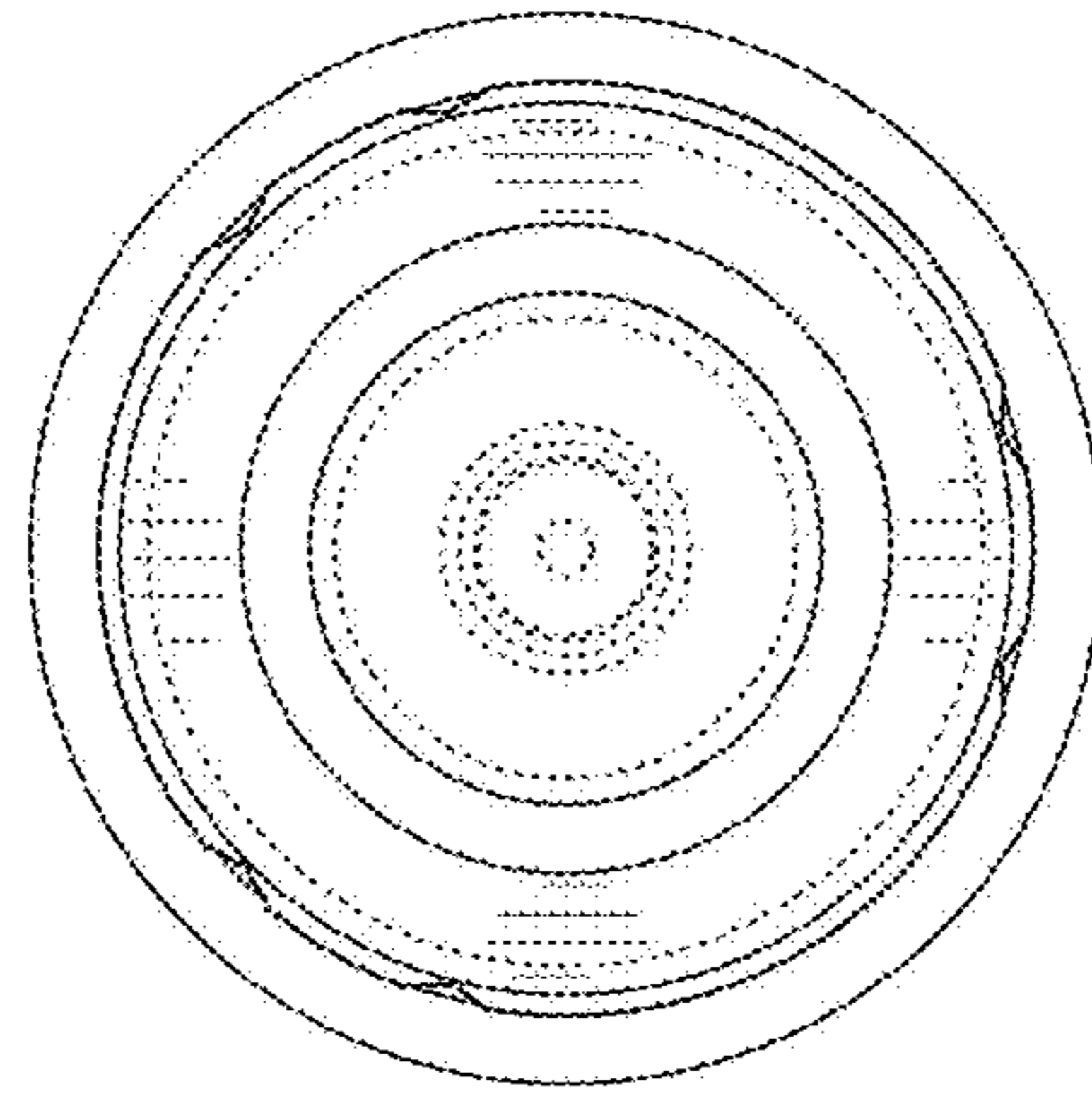


FIG. 15

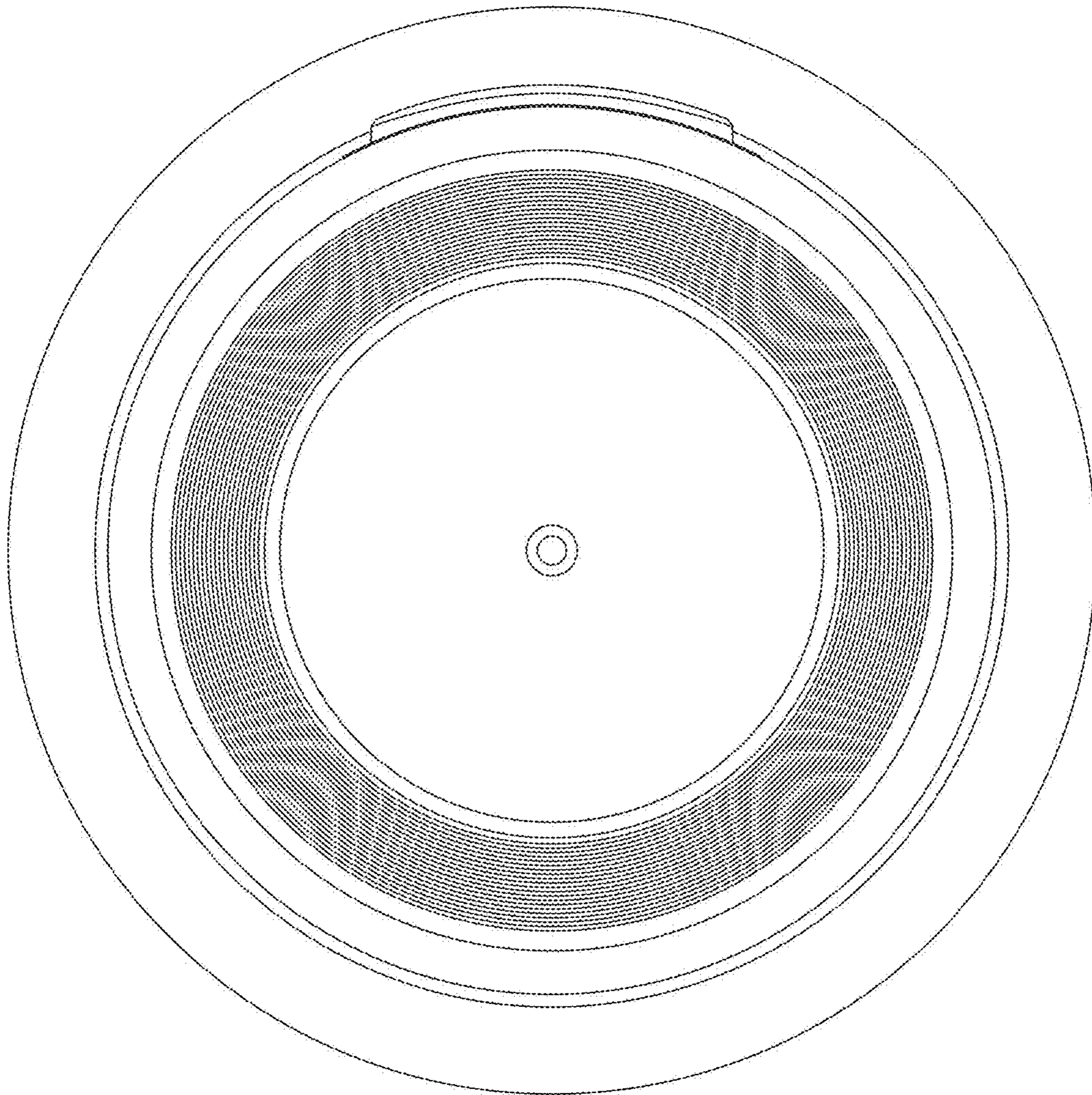


FIG. 16