



US00D916359S

(12) **United States Design Patent**  
**Roys et al.**

(10) **Patent No.:** **US D916,359 S**  
(45) **Date of Patent:** **\*\* Apr. 13, 2021**

(54) **LED CLIP**

(71) Applicants: **Curtis Alan Roys**, Fredericksburg, TX (US); **Sidney Howard Norton**, Odessa, TX (US)

(72) Inventors: **Curtis Alan Roys**, Fredericksburg, TX (US); **Sidney Howard Norton**, Odessa, TX (US)

(\*\*) Term: **15 Years**

(21) Appl. No.: **29/734,154**

(22) Filed: **May 8, 2020**

**Related U.S. Application Data**

(60) Division of application No. 16/366,888, filed on Mar. 27, 2019, which is a continuation-in-part of (Continued)

(51) **LOC (13) Cl.** ..... **26-05**

(52) **U.S. Cl.**  
USPC ..... **D26/138**

(58) **Field of Classification Search**  
USPC ..... D26/72, 74, 76, 78-83, 85, 86, 88, 90, D26/93, 111, 113, 118, 119, 120, 121, D26/122, 138, 139, 140, 141, 142, 152 (Continued)

(56) **References Cited**

**U.S. PATENT DOCUMENTS**

799,065 A 9/1905 Kronstein  
3,883,926 A 5/1975 Reynolds  
(Continued)

**FOREIGN PATENT DOCUMENTS**

DE 29616093 U1 10/1996  
DE 202012102037 U1 7/2012  
EP 1931006 A1 6/2008

**OTHER PUBLICATIONS**

U.S. Appl. No. 29/639,296, filed Mar. 5, 2018, Curtis Alan Roys.  
(Continued)

*Primary Examiner* — Natasha Vujcic  
(74) *Attorney, Agent, or Firm* — Scheinberg & Associates, PC; Michael O. Scheinberg

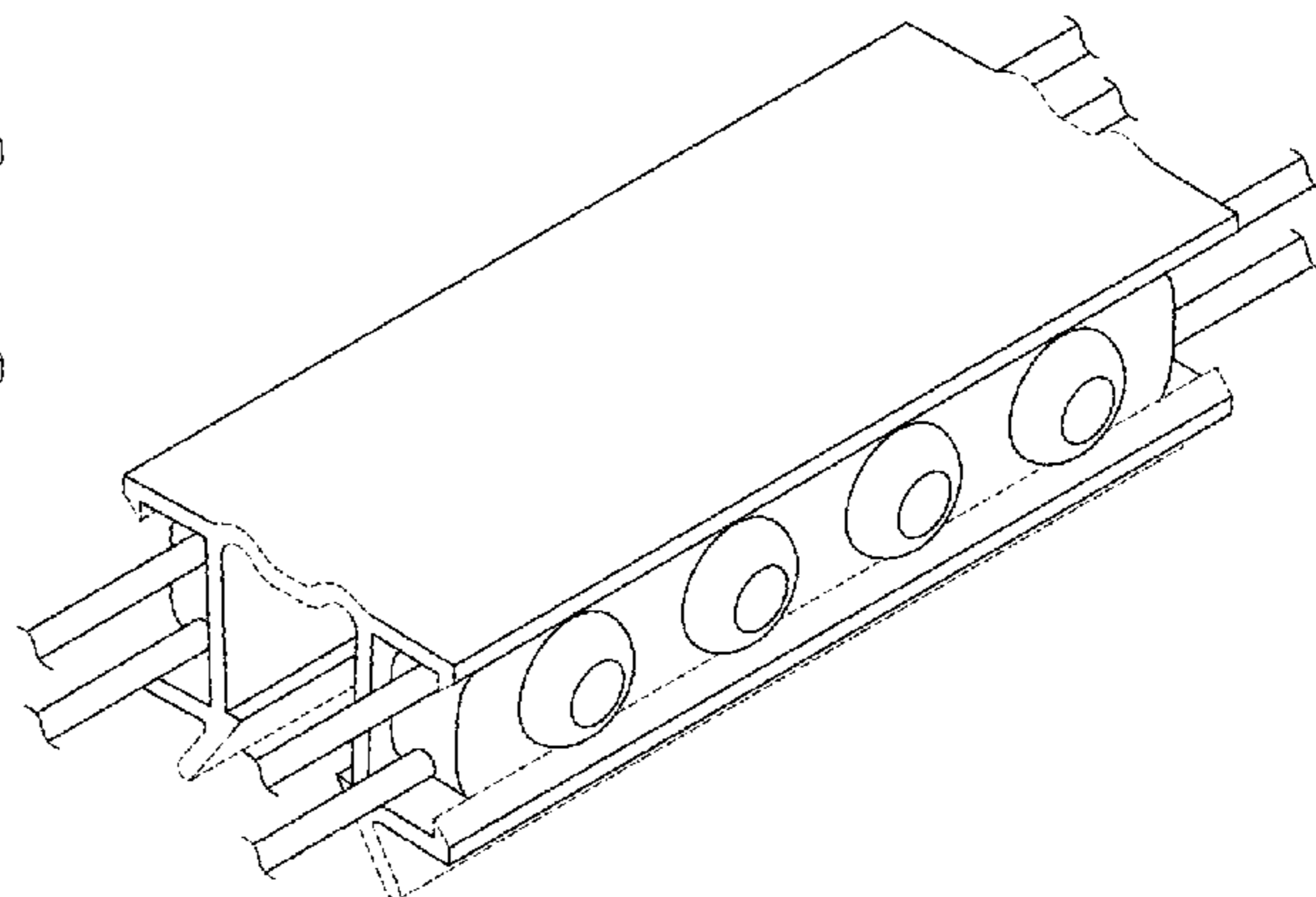
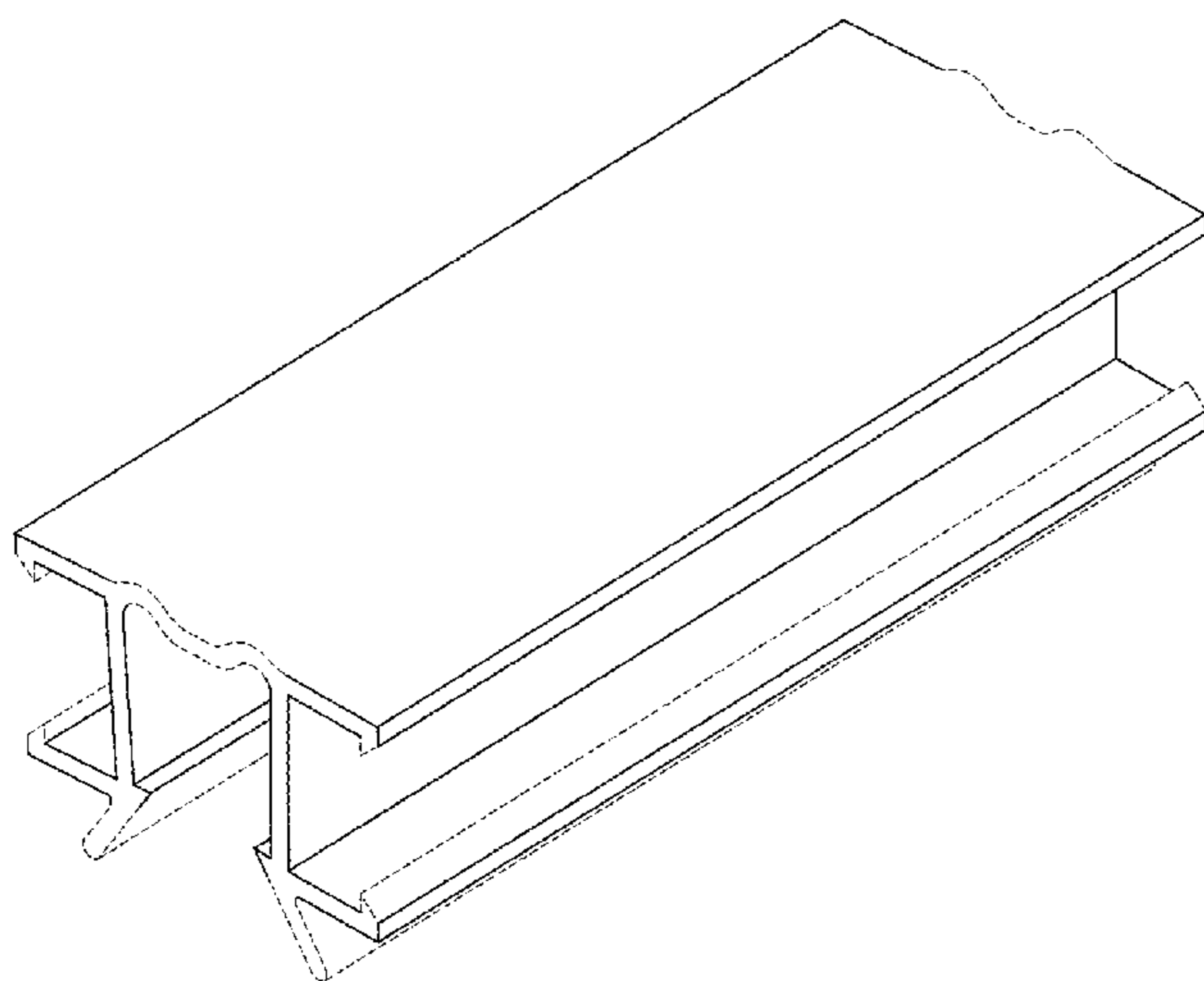
(57) **CLAIM**

We claim the ornamental design for a LED clip, as shown and described.

**DESCRIPTION**

FIG. 1 is an isometric view of an LED clip showing my new design;  
FIG. 2 is a front elevation thereof, wherein the rear elevation is a mirror image thereof;  
FIG. 3 is a left side elevation thereof, wherein the right side elevation is a mirror image thereof;  
FIG. 4 is a top plan view thereof;  
FIG. 5 is a bottom plan view thereof;  
FIG. 6 is an isometric view of the LED clip of FIG. 1 with LED modules installed;  
FIG. 7 is a front elevation thereof, wherein the rear elevation is a mirror image thereof;  
FIG. 8 is a left side elevation thereof, wherein the right side elevation is a mirror image thereof;  
FIG. 9 is a top plan view thereof;  
FIG. 10 is a bottom plan view thereof; and,  
FIG. 11 is a front view thereof showing the LED clip with LED modules installed mounted onto a support tube.  
The rear elevation is the same as the front elevation. The right side elevation is the same as the left side elevation. Broken lines shows the environment in which the design is used but forms no part of the claimed design. The break lines in drawings indicate that the appearance of any portion of the LED clip between the break lines forms no part of the claimed design.

**1 Claim, 6 Drawing Sheets**



**Related U.S. Application Data**

application No. 16/282,039, filed on Feb. 21, 2019, now abandoned, and a division of application No. 29/657,390, filed on Jul. 20, 2018, now Pat. No. Des. 882,160, and a division of application No. 29/639,296, filed on Mar. 5, 2018, now Pat. No. Des. 890,983.

(58) **Field of Classification Search**

CPC ..... F21S 2/00; F21S 4/00; F21S 4/003; F21S 4/005; F21S 4/006; F21S 4/007; F21S 4/008; F21S 6/00; F21S 8/00; F21S 8/024; F21S 8/026; F21S 8/031; F21S 8/033; F21S 8/035-037; F21S 8/04; F21S 8/043; F21S 8/063

See application file for complete search history.

(56) **References Cited**

U.S. PATENT DOCUMENTS

3,894,225	A	7/1975	Chao	
4,023,758	A	5/1977	Yuda	
4,173,035	A	10/1979	Hoyt	
4,439,818	A	3/1984	Scheib	
5,288,047	A	2/1994	Pan	
5,331,512	A	7/1994	Orton	
5,559,681	A	9/1996	Duarte	
5,707,136	A	1/1998	Byers	
6,056,418	A	5/2000	Hsu	
6,109,765	A	8/2000	Blanton	
6,216,987	B1	4/2001	Fukuo	
6,267,342	B1	7/2001	Huang	
6,685,385	B1	2/2004	Ledingham	
7,213,941	B2	5/2007	Sloan et al.	
7,478,924	B2	1/2009	Robertson	
7,744,266	B2	6/2010	Higley et al.	
7,784,745	B2	8/2010	Dodge	
D623,342	S *	9/2010	Klu	D26/138
D623,343	S *	9/2010	Kluš	D26/138
D625,588	S *	10/2010	Norris	D8/382
D649,681	S *	11/2011	Trzesniowski	D26/138
D649,682	S	11/2011	Trzesniowski	
D649,683	S	11/2011	Trzesniowski	
D649,692	S	11/2011	Trzesniowski	
D652,568	S	1/2012	Trzesniowski	
D652,985	S	1/2012	Trzesniowski	
D652,986	S	1/2012	Trzesniowski	
D662,653	S *	6/2012	Hochman	D26/138
D663,048	S	7/2012	Chen	
D665,518	S	8/2012	Takahashi et al.	
D666,328	S	8/2012	Morton	
8,240,894	B2	8/2012	Sanroma et al.	
D673,307	S	12/2012	Moghal	
8,449,145	B1	5/2013	Berry et al.	
8,474,998	B2	7/2013	Wang et al.	
D695,955	S	12/2013	Klus	
D715,461	S	10/2014	Chen	
D724,257	S	3/2015	Klus	
D724,259	S	3/2015	Klus	
D724,260	S	3/2015	Klus	
D775,409	S	12/2016	Klus	

D775,410	S	12/2016	Klus	
D782,104	S *	3/2017	Klus	D26/138
D792,017	S	7/2017	Klus	
D796,110	S	8/2017	Klus	
D798,471	S	9/2017	Tremaine et al.	
D799,065	S	10/2017	Tremaine et al.	
D802,176	S	11/2017	Tan et al.	
D807,572	S	1/2018	Klus	
D809,704	S	2/2018	Klus	
D818,187	S	5/2018	Trzesniowski	
D818,188	S	5/2018	Trzesniowski	
D818,189	S	5/2018	Trzesniowski	
D818,194	S	5/2018	Trzesniowski	
D818,633	S *	5/2018	Barker	D26/118
D831,465	S	10/2018	MacDonald et al.	
D834,398	S	11/2018	MacDonald et al.	
D834,399	S	11/2018	MacDonald et al.	
D845,516	S	4/2019	Yuan	
D847,412	S	4/2019	Trzcielinski	
D868,353	S	11/2019	Trzcielinski	
D868,355	S	11/2019	Trzcielinski	
10,488,020	B2	11/2019	Zanotto et al.	
D869,070	S	12/2019	Trzcielinski	
D869,071	S	12/2019	Trzcielinski	
D869,072	S	12/2019	Trzcielinski	
D869,073	S	12/2019	Trzcielinski	
D869,074	S	12/2019	Trzcielinski	
D869,077	S	12/2019	Trzcielinski	
D869,078	S	12/2019	Trzcielinski	
D869,080	S	12/2019	Trzcielinski	
D869,081	S	12/2019	Trzcielinski	
D872,931	S *	1/2020	Tremaine	D26/138
D876,001	S	2/2020	Sugiyama et al.	
D876,714	S	2/2020	Klus	
D877,402	S	3/2020	Klus	
D882,160	S	4/2020	Roys et al.	
D890,983	S *	7/2020	Roys	D26/142
D891,688	S *	7/2020	Tremaine	D26/138
D904,675	S *	12/2020	Trzcielinski	D26/138
D906,548	S *	12/2020	Jackson	D25/119
D906,581	S *	12/2020	Trzcielinski	D26/138
2006/0039142	A1	2/2006	Temple	
2007/0242466	A1	10/2007	Wu et al.	
2008/0158858	A1	7/2008	Madireddi et al.	
2009/0121988	A1	5/2009	Amo et al.	
2009/0146910	A1	6/2009	Gardner	
2009/0296381	A1	12/2009	Dubord	
2011/0019413	A1	1/2011	Zimmerman et al.	
2011/0058357	A1	3/2011	Anderson	
2011/0058377	A1	3/2011	Chou et al.	
2011/0134640	A1	6/2011	Bertele	
2012/0298813	A1	11/2012	Gibbons et al.	
2013/0333197	A1	12/2013	Schulte et al.	
2015/0144760	A1	5/2015	Paradiso	
2015/0308631	A1	10/2015	Gorman et al.	
2017/0023186	A1	1/2017	Norton et al.	
2019/0293269	A1	9/2019	Roys et al.	
2019/0309933	A1	10/2019	Norton et al.	

OTHER PUBLICATIONS

U.S. Appl. No. 29/642,843, filed Apr. 2, 2018, Curtis Alan Roys  
 U.S. Appl. No. 29/657,390, filed Jul. 20, 2018, Curtis Alan Roys.

\* cited by examiner

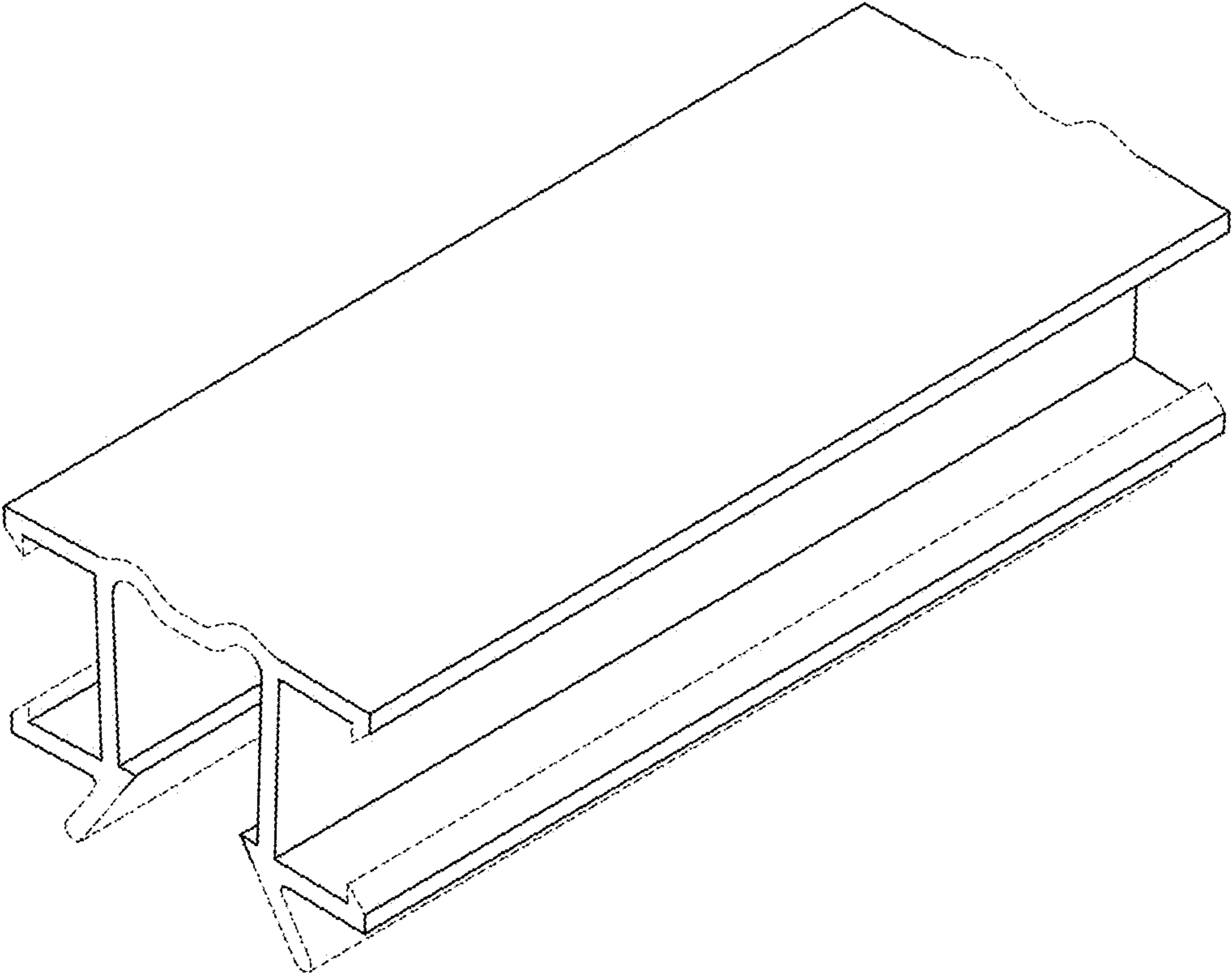


FIG. 1

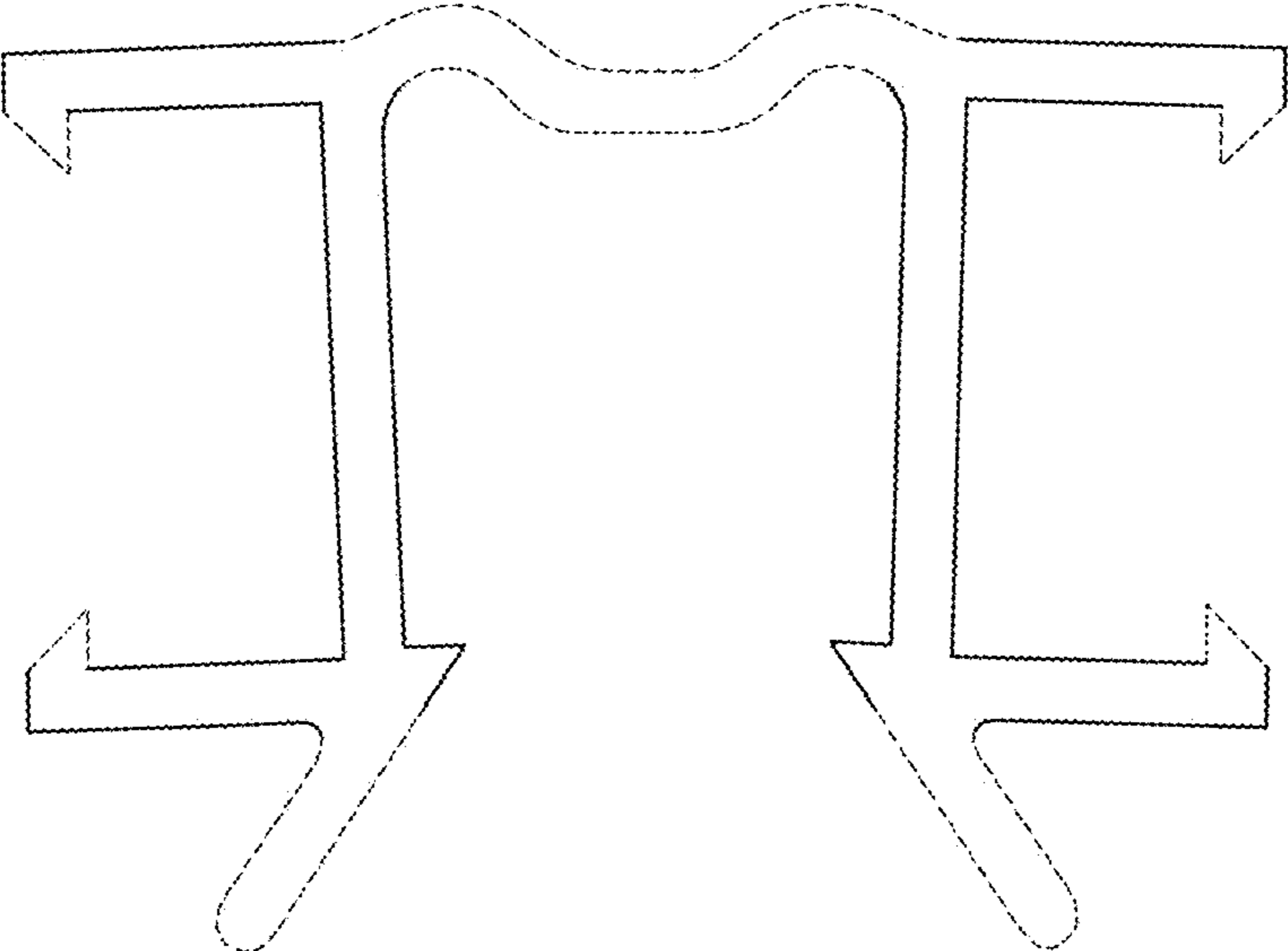
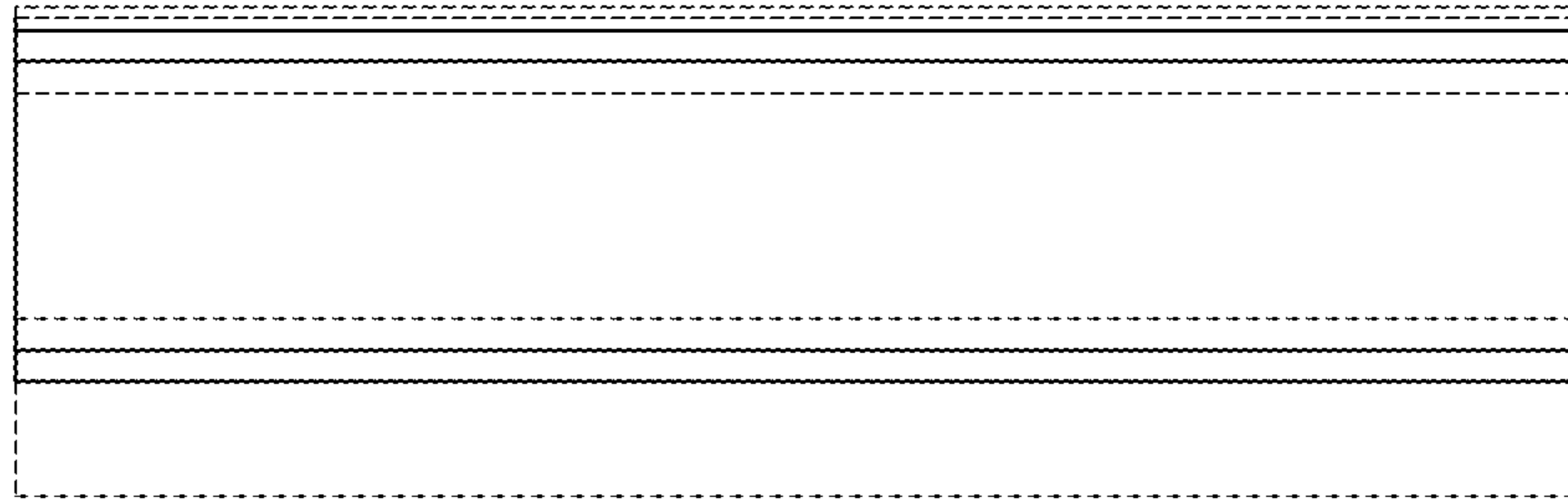
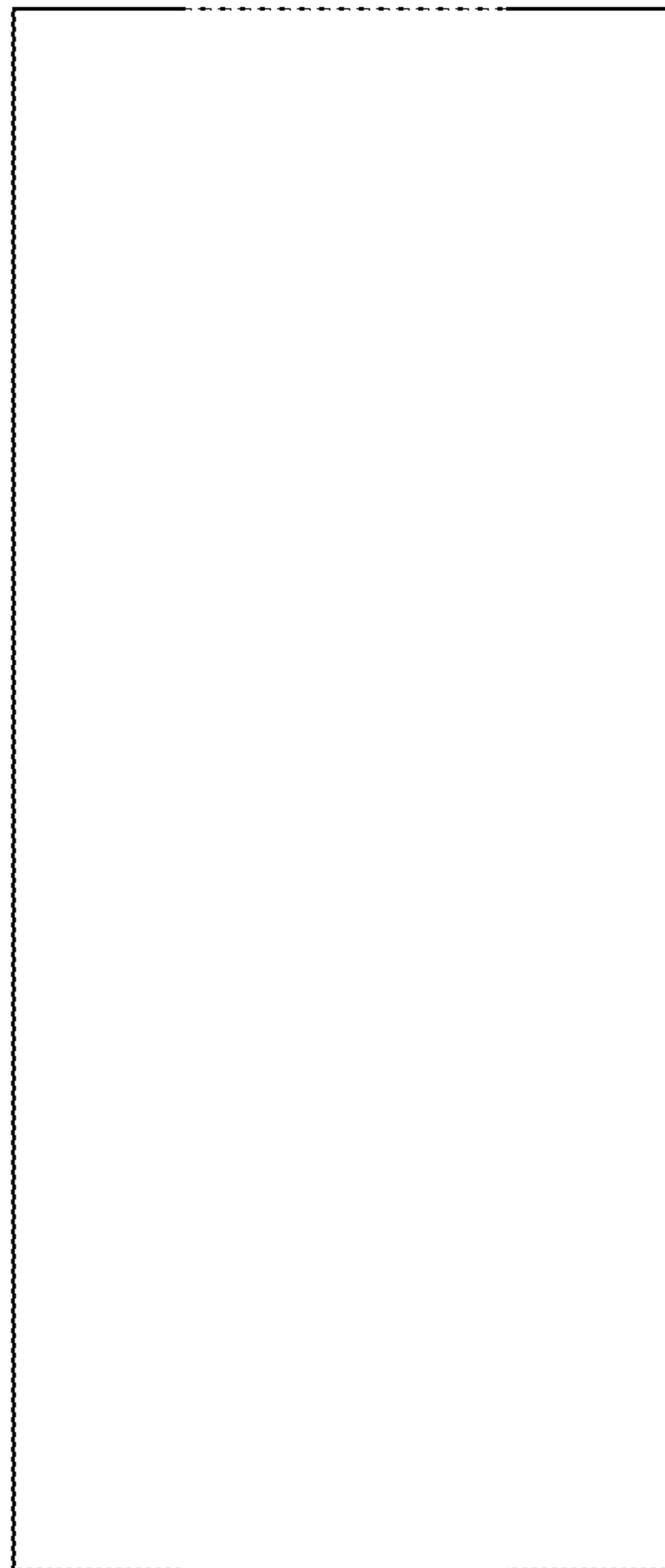


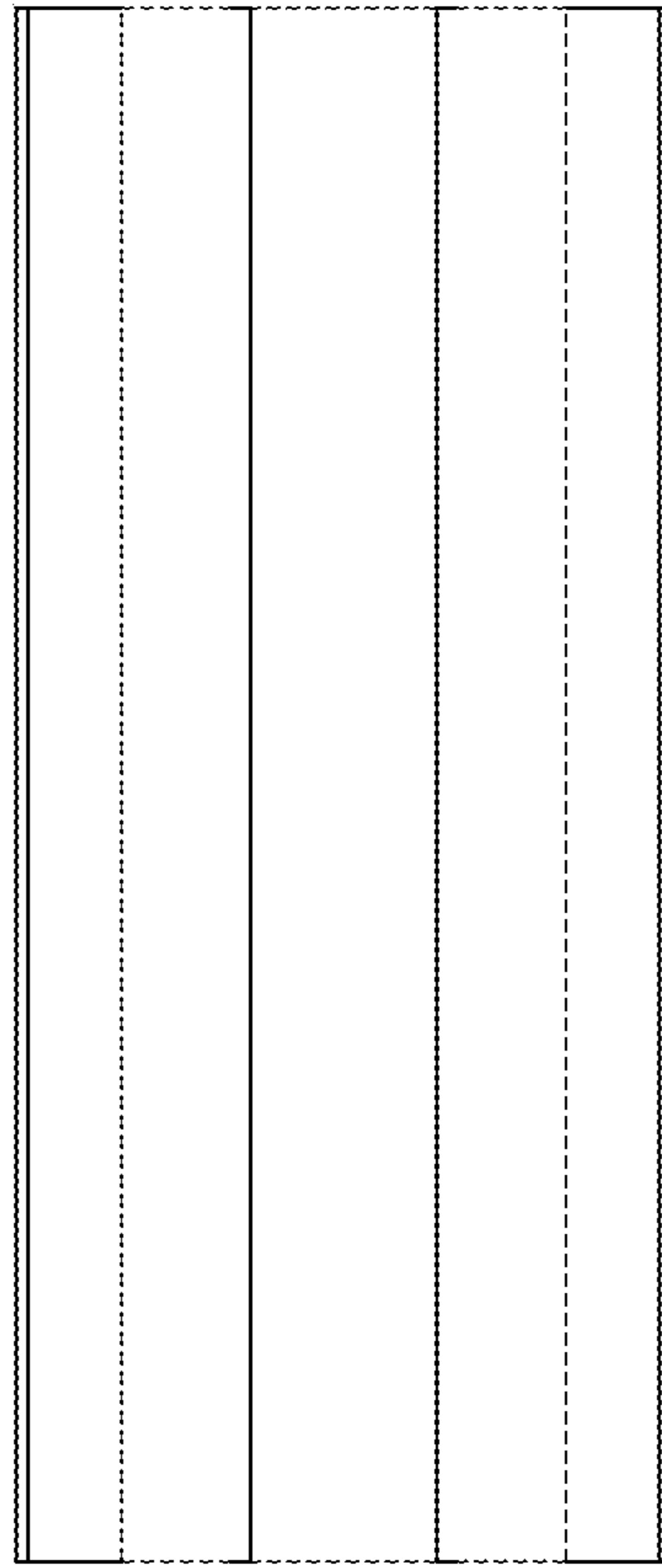
FIG. 2



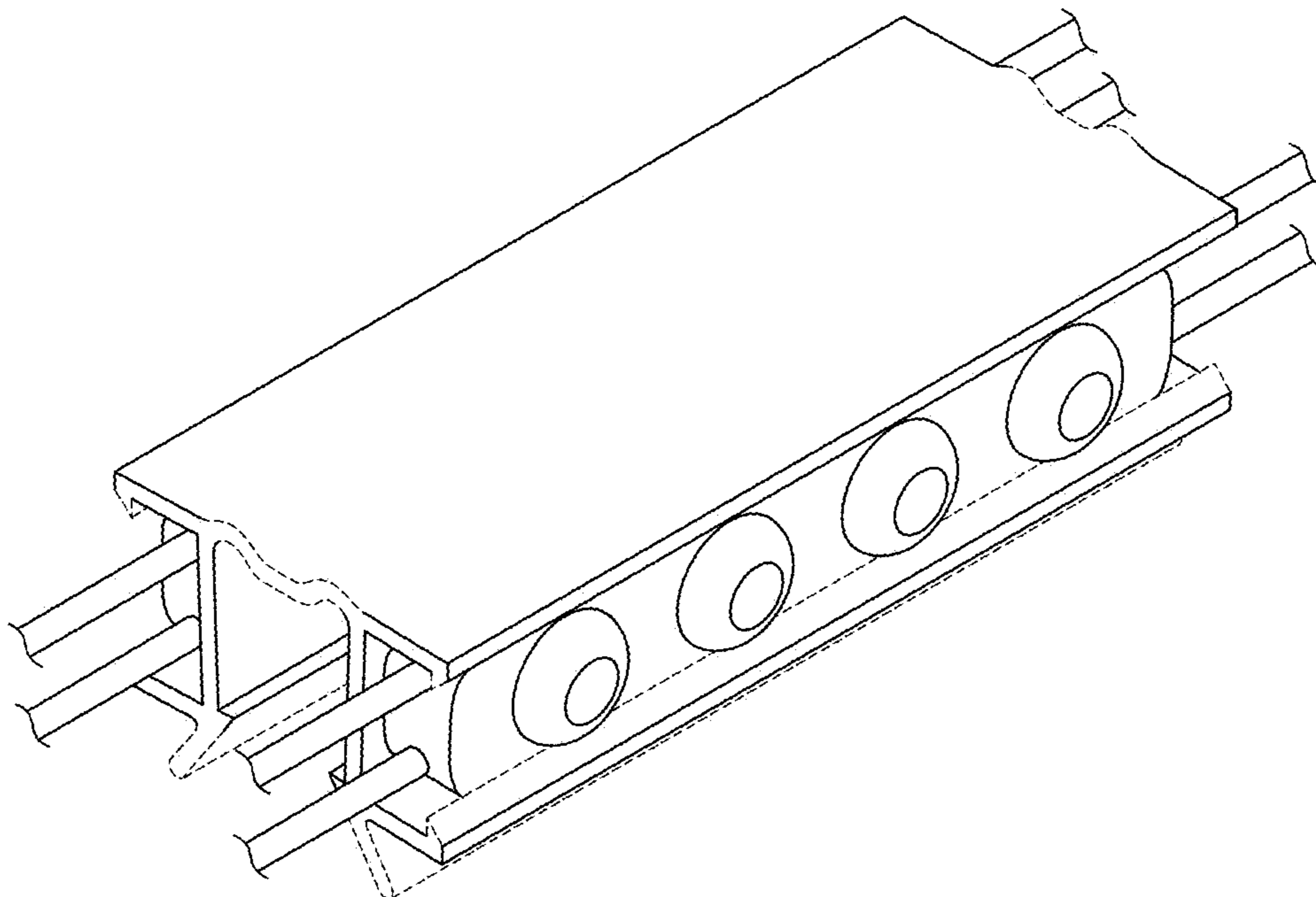
**FIG. 3**



**FIG. 4**



**FIG. 5**



**FIG. 6**

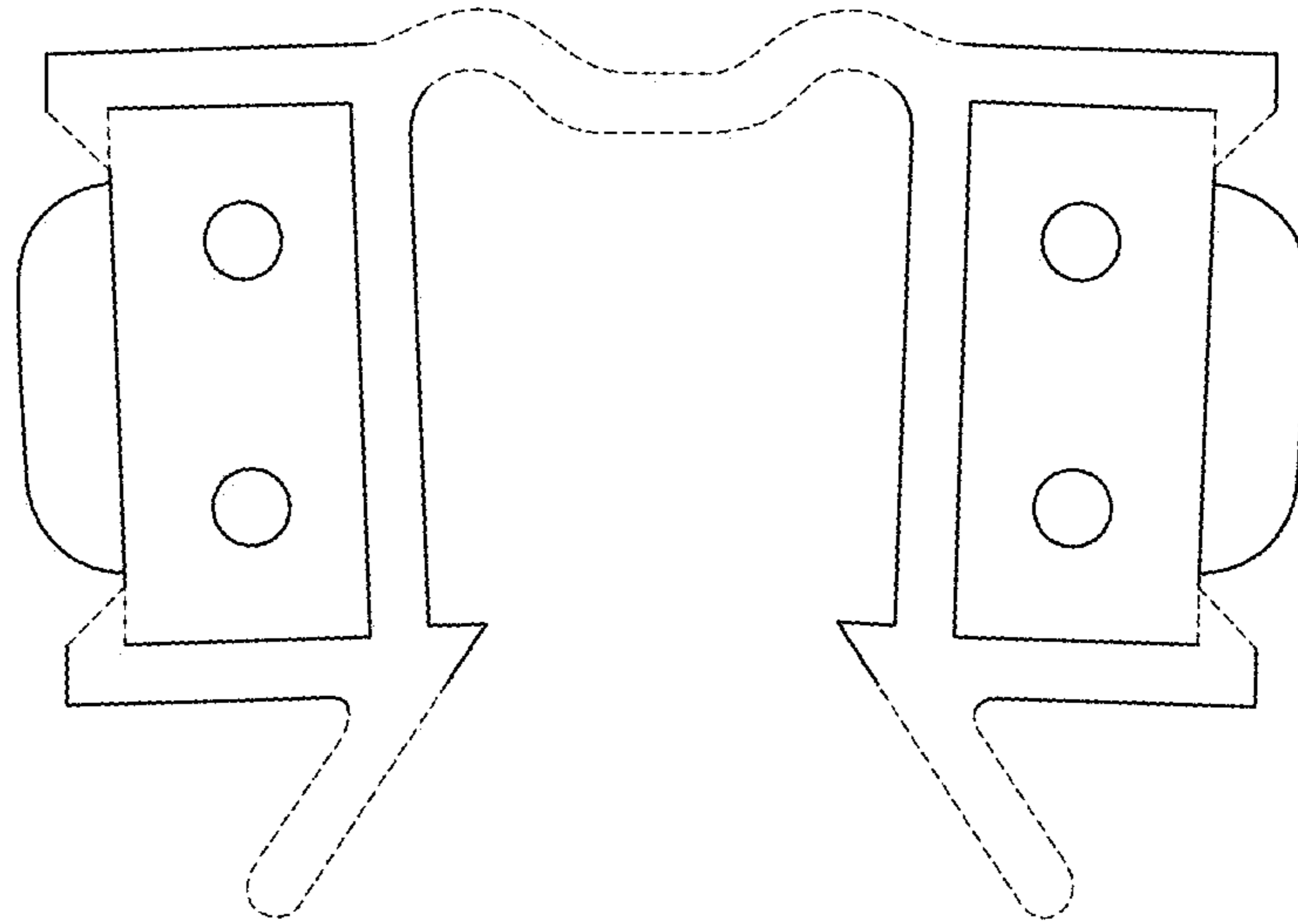


FIG. 7

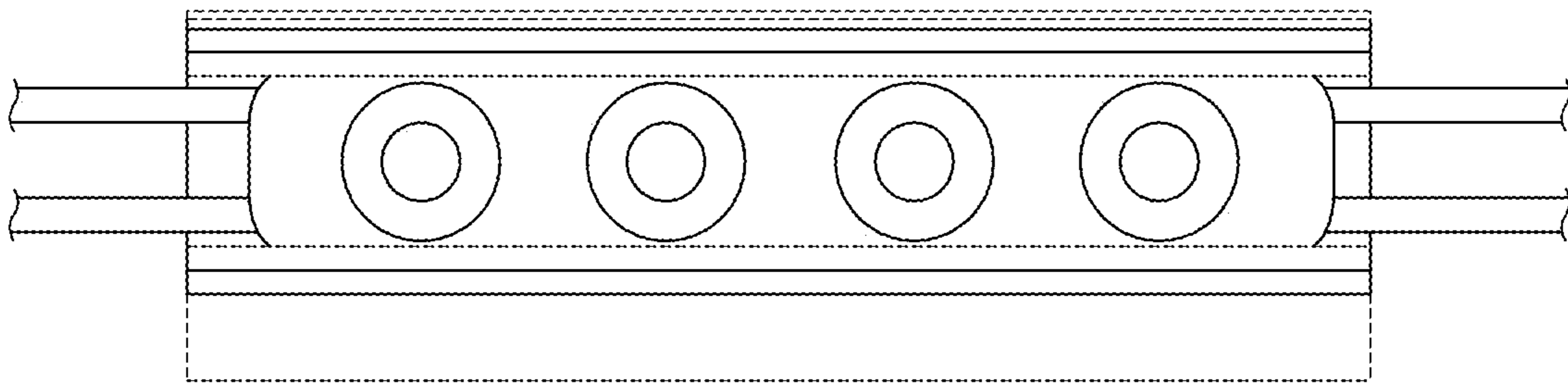
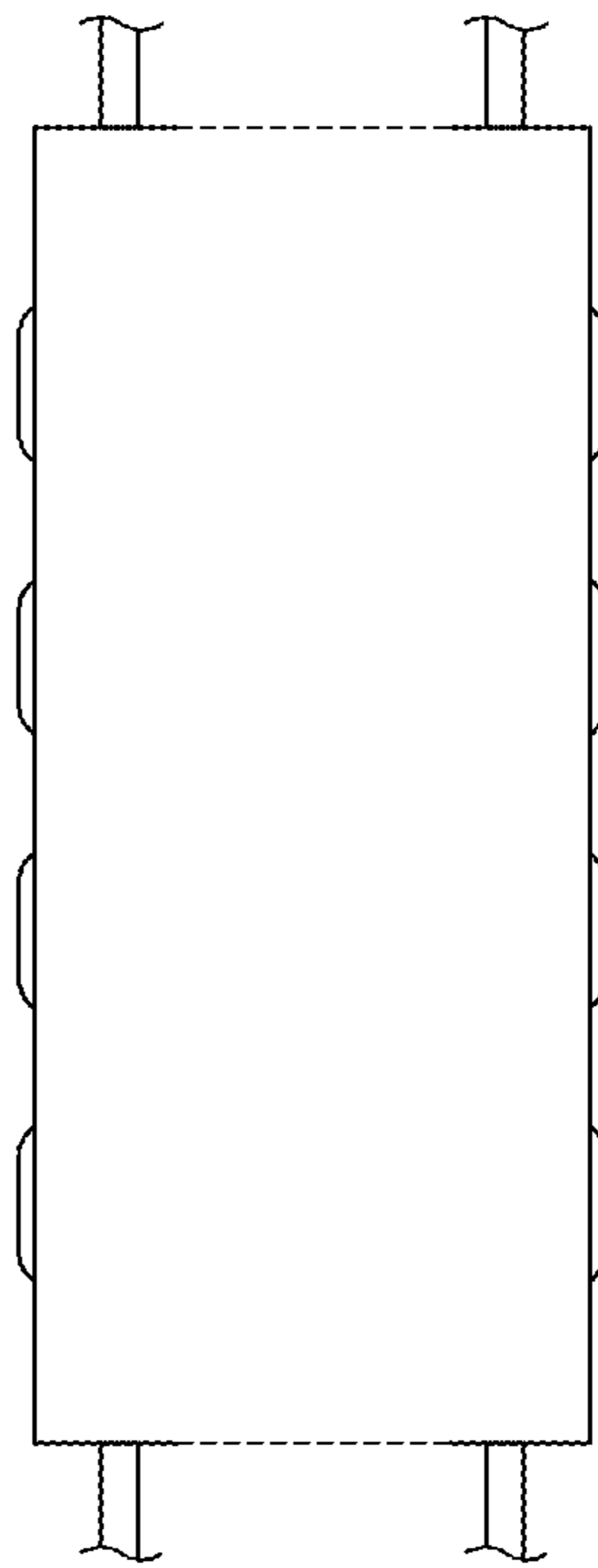
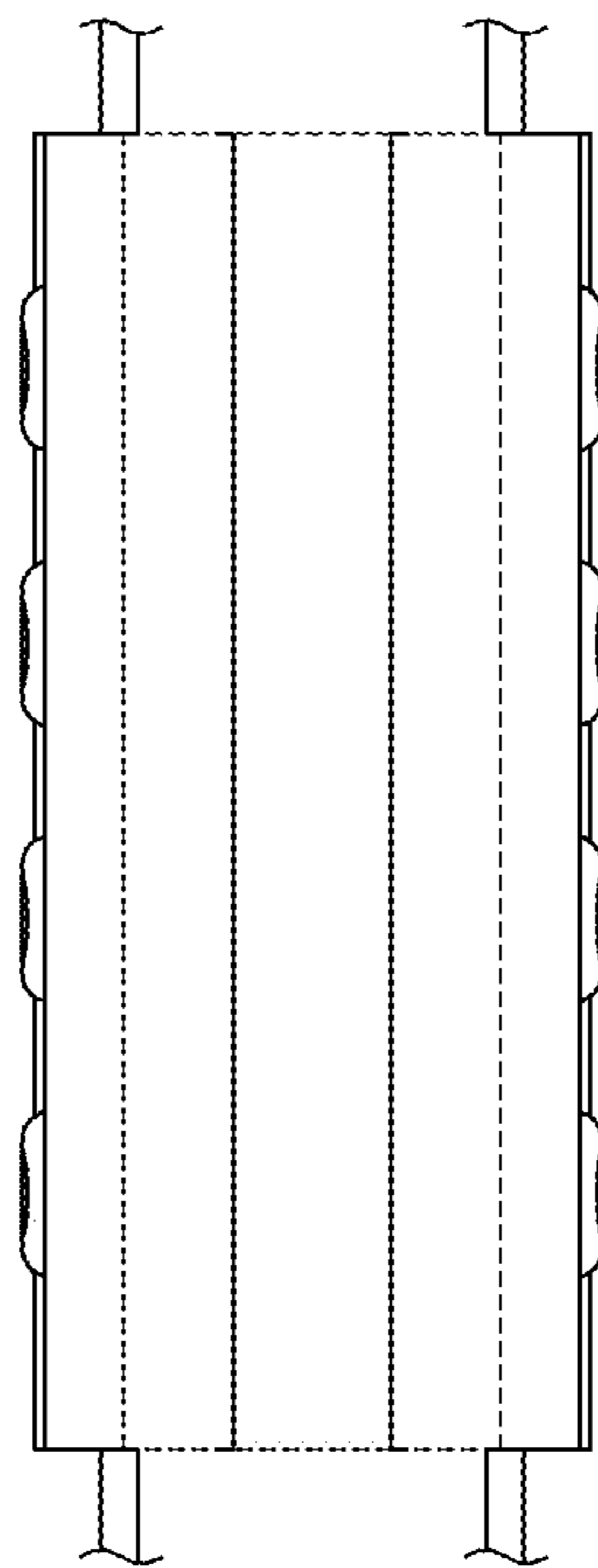


FIG. 8



**FIG. 9**



**FIG. 10**

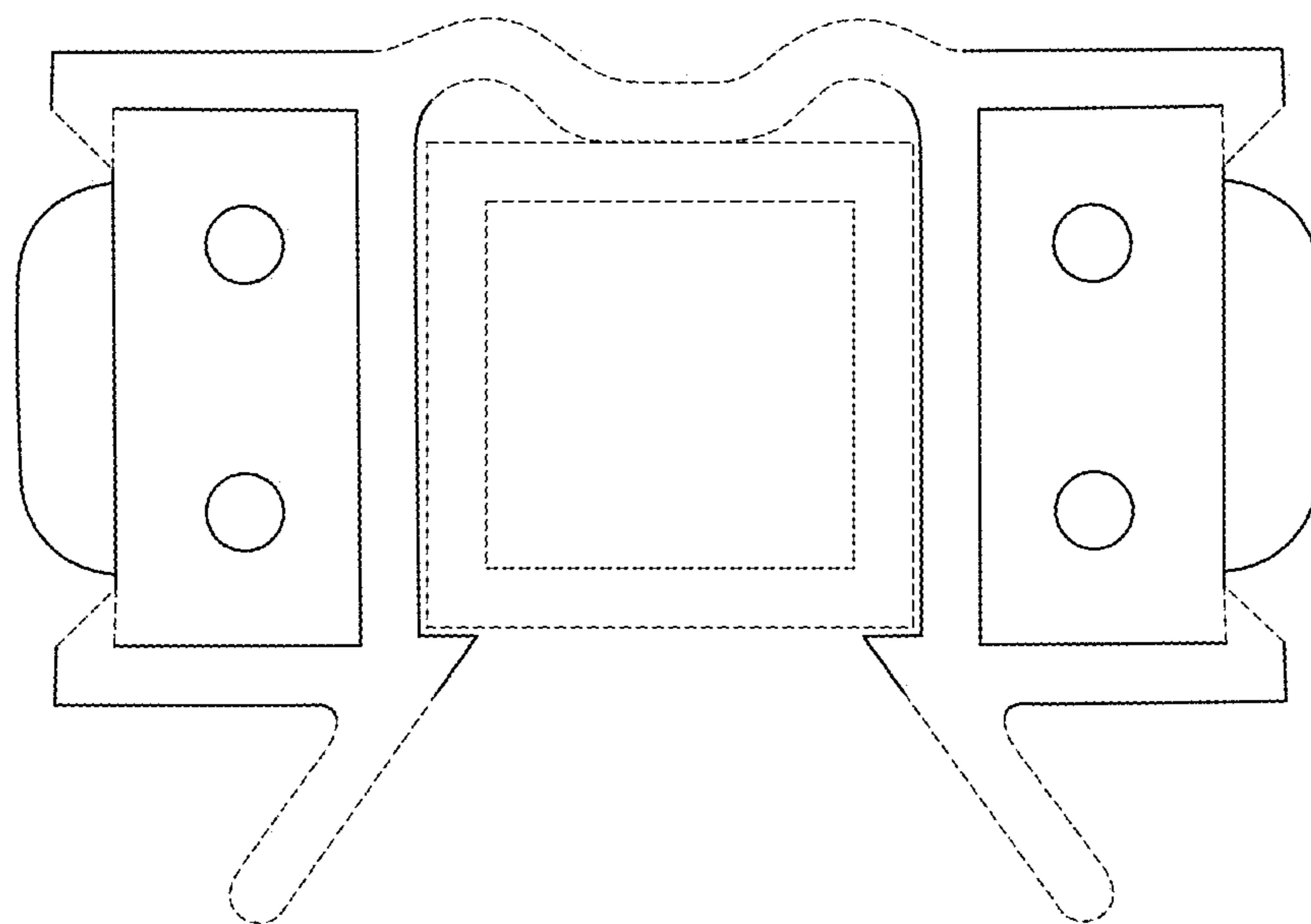


FIG. 11