



US00D916351S

(12) **United States Design Patent** (10) **Patent No.:** **US D916,351 S**
Harris, Jr. (45) **Date of Patent:** **** Apr. 13, 2021**

- (54) **LUMINAIRE**
- (71) Applicant: **William F. Harris, Jr.**, Charlotte, NC (US)
- (72) Inventor: **William F. Harris, Jr.**, Charlotte, NC (US)
- (73) Assignee: **William F. Harris, Jr.**, Charlotte, NC (US)
- (**) Term: **15 Years**
- (21) Appl. No.: **29/642,647**
- (22) Filed: **Mar. 30, 2018**
- (51) **LOC (13) Cl.** **26-04**
- (52) **U.S. Cl.**
USPC **D26/76; D26/138**
- (58) **Field of Classification Search**
USPC D26/76, 78, 79, 80, 81, 82, 83, 85, 86, D26/88, 90, 113, 118, 119, 120, 121, 122, D26/138, 139, 140, 141, 142, 152
CPC F21S 2/00; F21S 4/00; F21S 4/003; F21S 4/005; F21S 4/006; F21S 4/007; F21S 4/008; F21S 6/00; F21S 8/00; F21S 8/024; F21S 8/026; F21S 8/031; F21S 8/033; F21S 8/035-037; F21S 8/04; F21S 8/043; F21S 8/063
See application file for complete search history.

D735,931 S *	8/2015	Lehman	D26/121
D744,690 S *	12/2015	Boyer	D26/76
D756,016 S *	5/2016	Hargreaves	D26/79
D757,325 S *	5/2016	Stanley	D26/76
D757,327 S *	5/2016	Reynolds	D26/77
D793,619 S *	8/2017	Harris, Jr.	D26/138
D809,701 S *	2/2018	Tweel	D26/118
D819,875 S *	6/2018	Yorio	D26/118
D822,873 S *	7/2018	Bobel	D26/76
D822,884 S *	7/2018	Tweel	D26/118
D822,885 S *	7/2018	Tweel	D26/118
D822,886 S *	7/2018	Tweel	D26/118
D824,570 S *	7/2018	Bobel	D26/76
D824,581 S *	7/2018	Tweel	D26/118
D855,248 S *	7/2019	Tweel	D26/120
D877,964 S *	3/2020	Antony	D26/118

* cited by examiner

Primary Examiner — Natasha Vujcic
(74) *Attorney, Agent, or Firm* — Alston & Bird LLP

(57) **CLAIM**

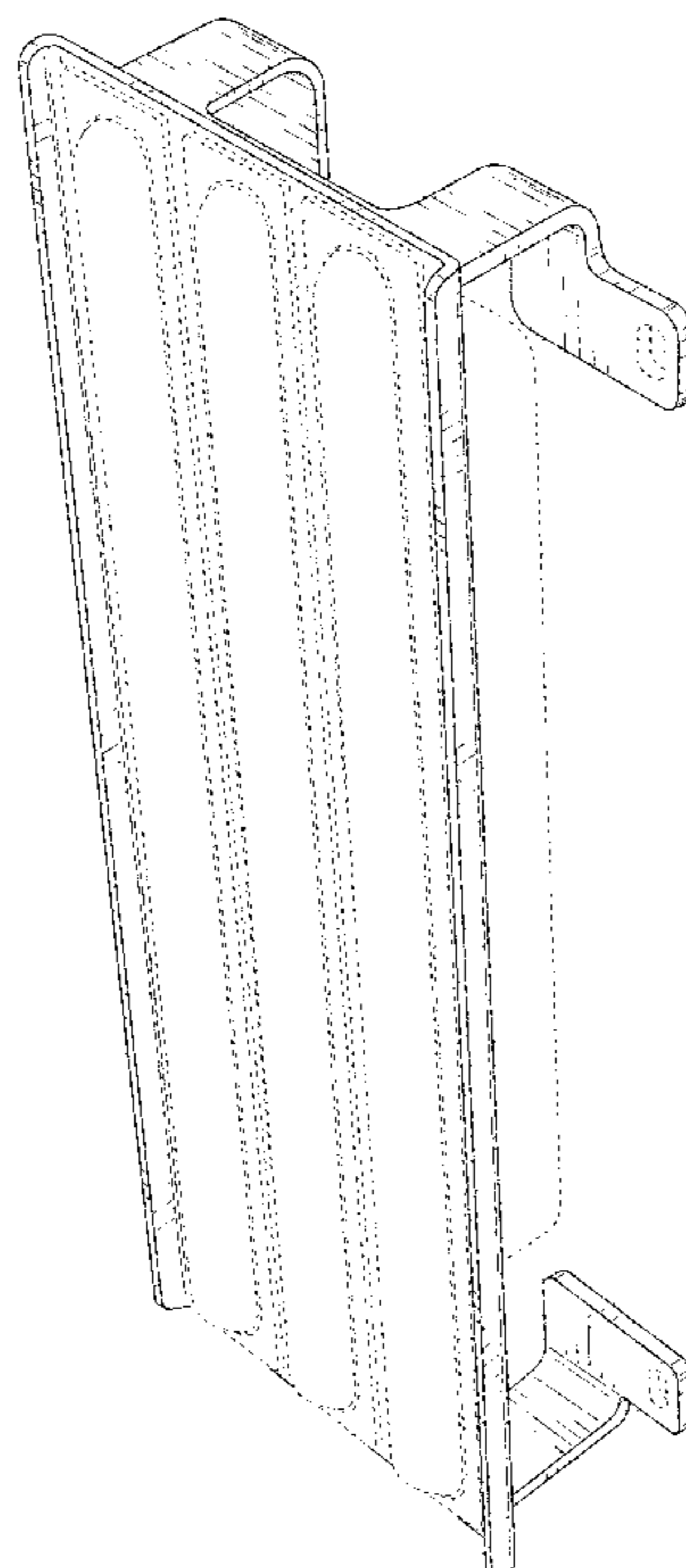
The ornamental design for a luminaire, as shown and described.

DESCRIPTION

FIG. 1 is a perspective view of a luminaire according to our new design;
FIG. 2 is a top elevation view thereof;
FIG. 3 is a bottom plan view thereof;
FIG. 4 is a right side elevation view thereof;
FIG. 5 is a left side elevation view thereof;
FIG. 6 is a front elevation view thereof; and,
FIG. 7 is a rear elevation view thereof.
The broken lines in the drawings illustrate portions of the Luminaire which form no part of the claimed design.

1 Claim, 5 Drawing Sheets

- (56) **References Cited**
U.S. PATENT DOCUMENTS
D257,894 S * 1/1981 DiBernardo D26/75
D447,266 S * 8/2001 Verfuertth D26/76
D581,579 S * 11/2008 Ottobre D26/118



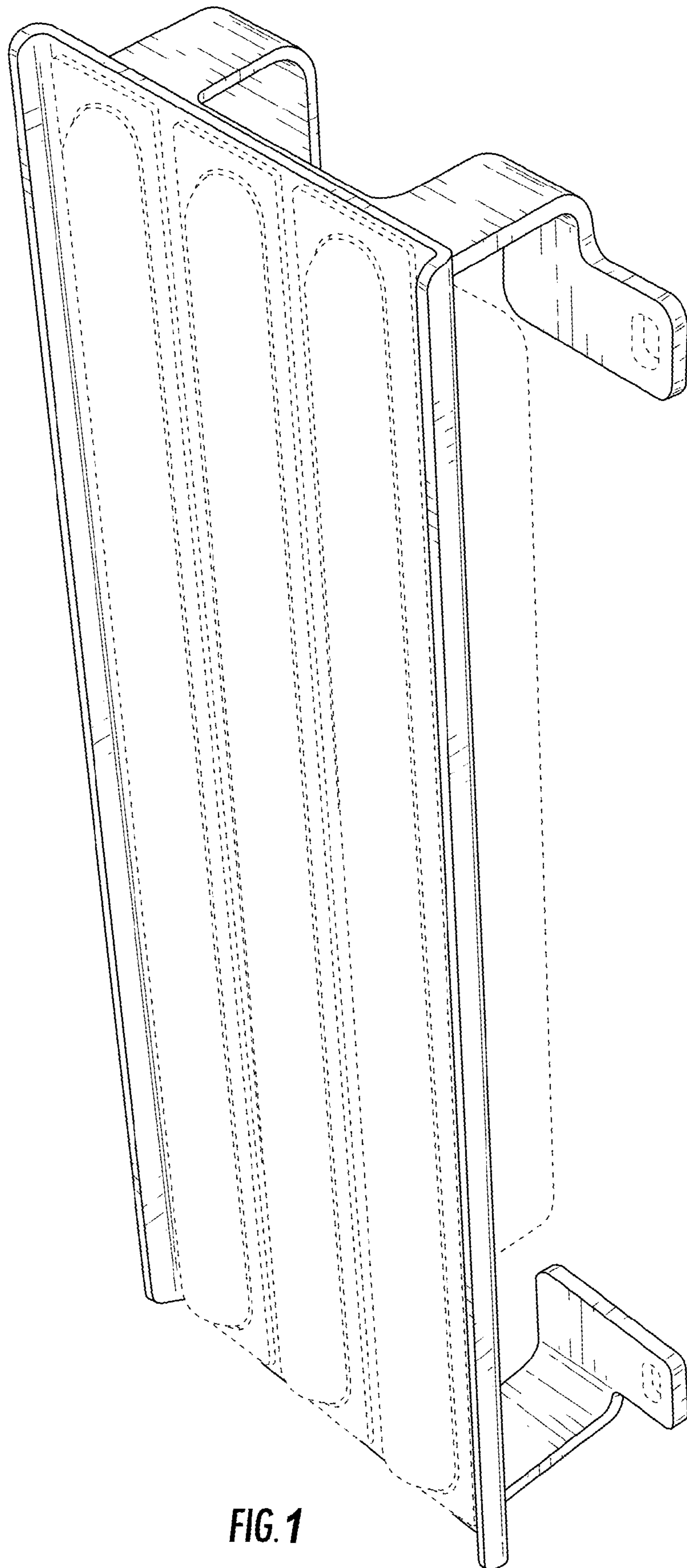


FIG. 1

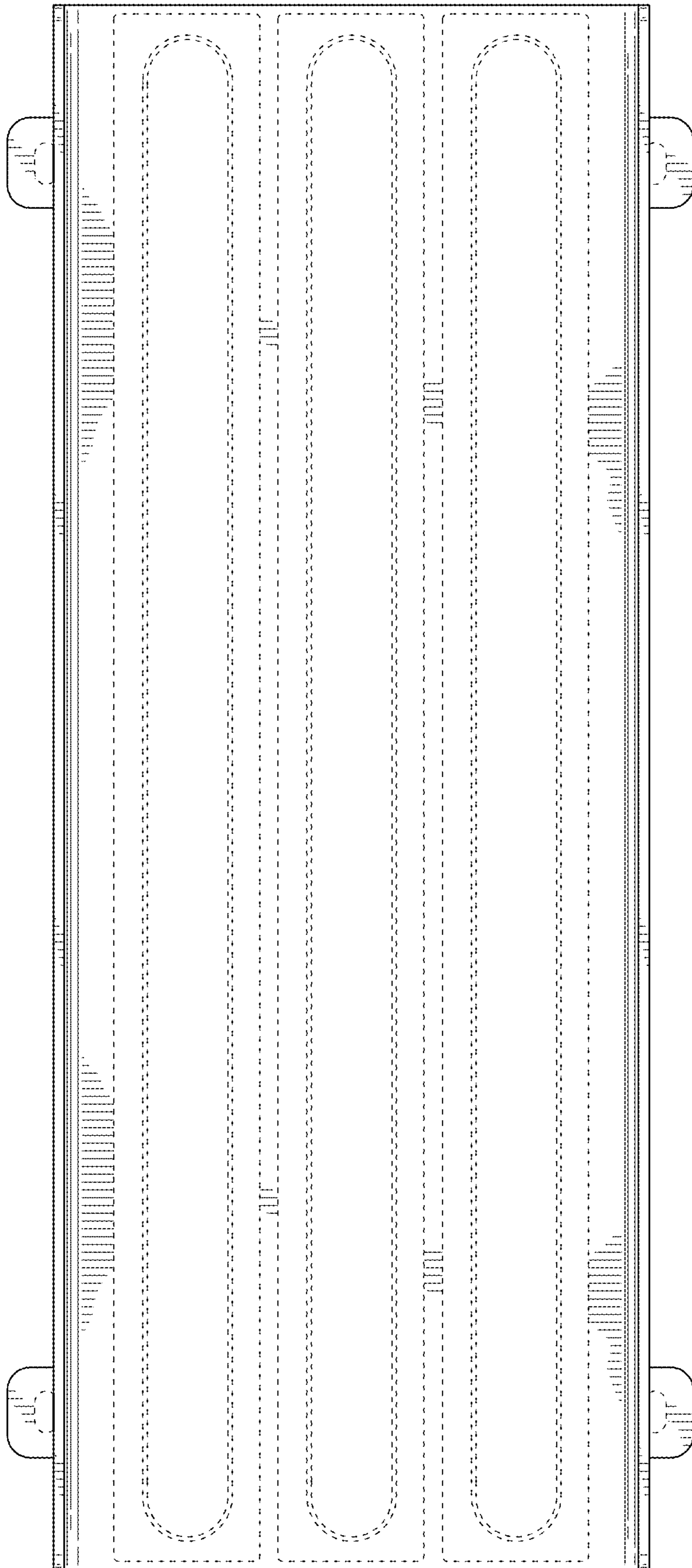


FIG. 2

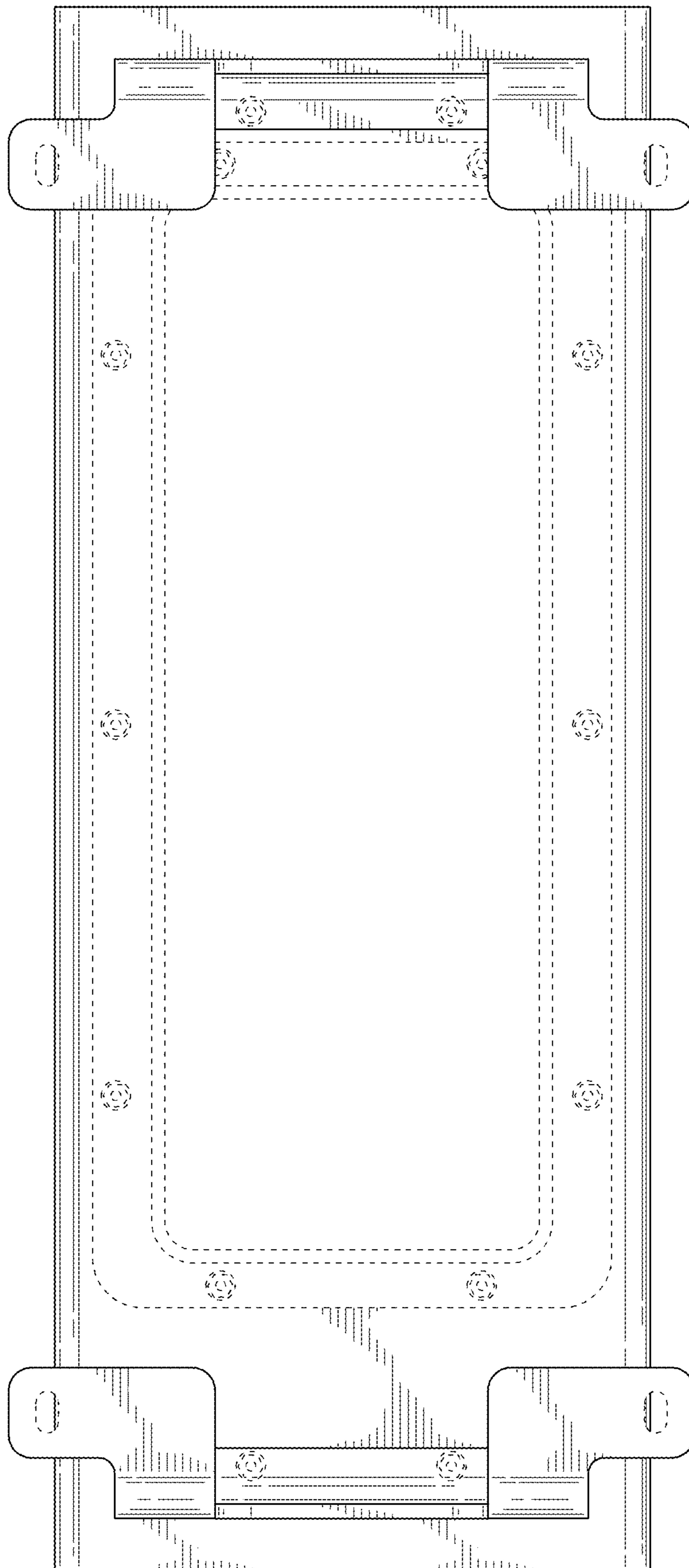


FIG. 3

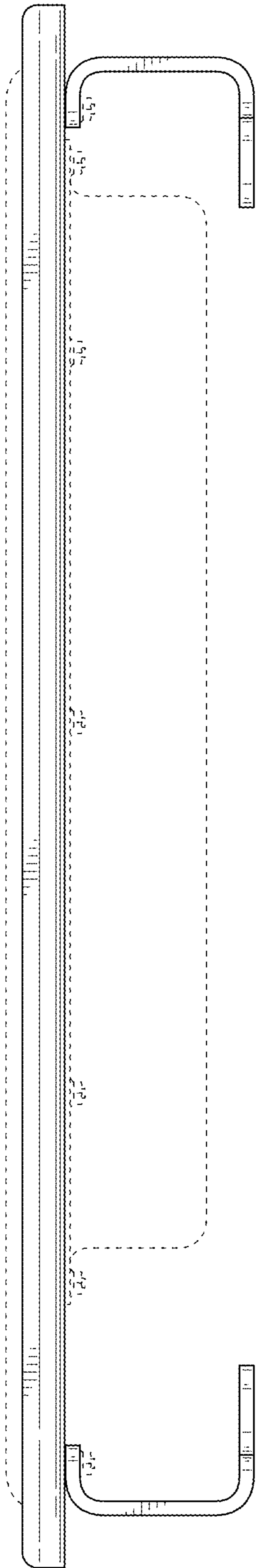


FIG. 4

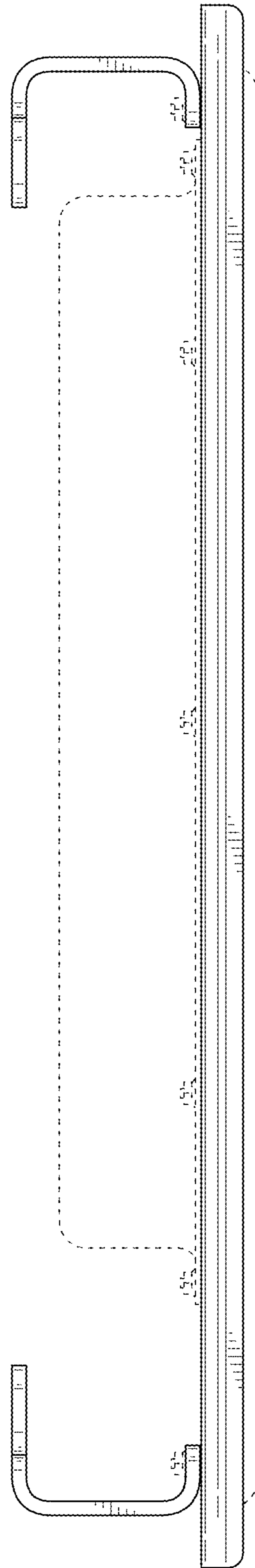


FIG. 5

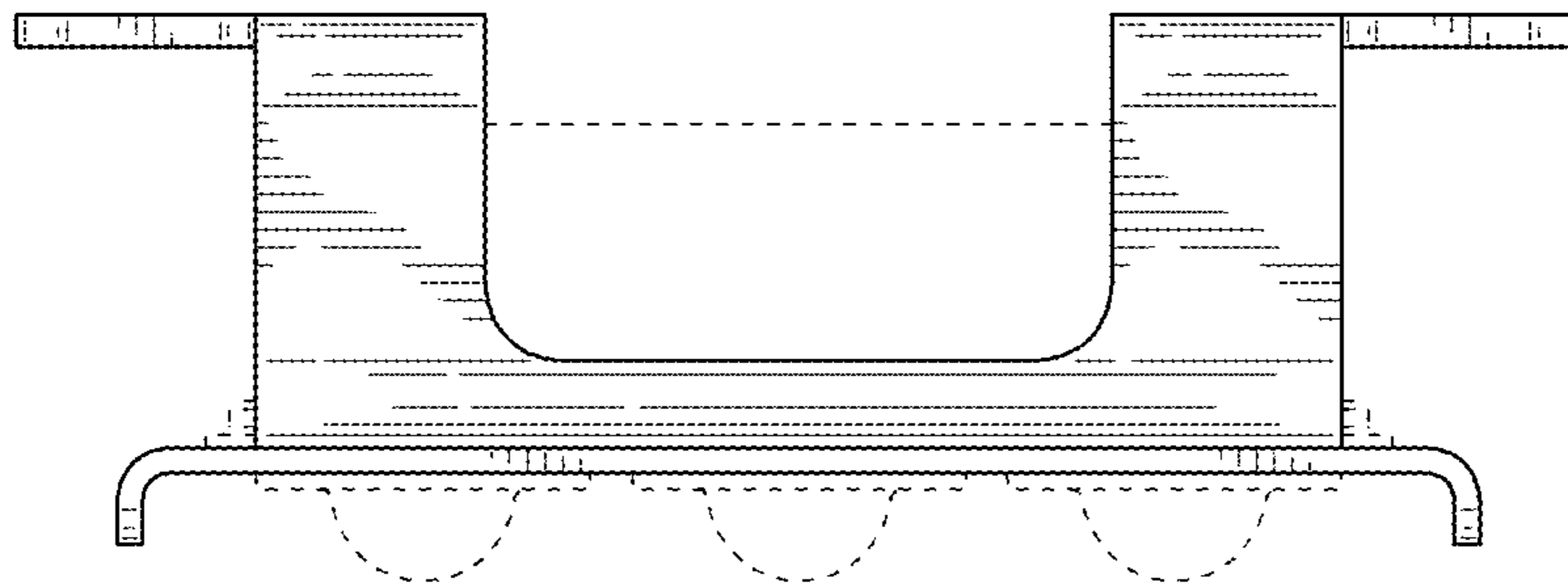


FIG. 6

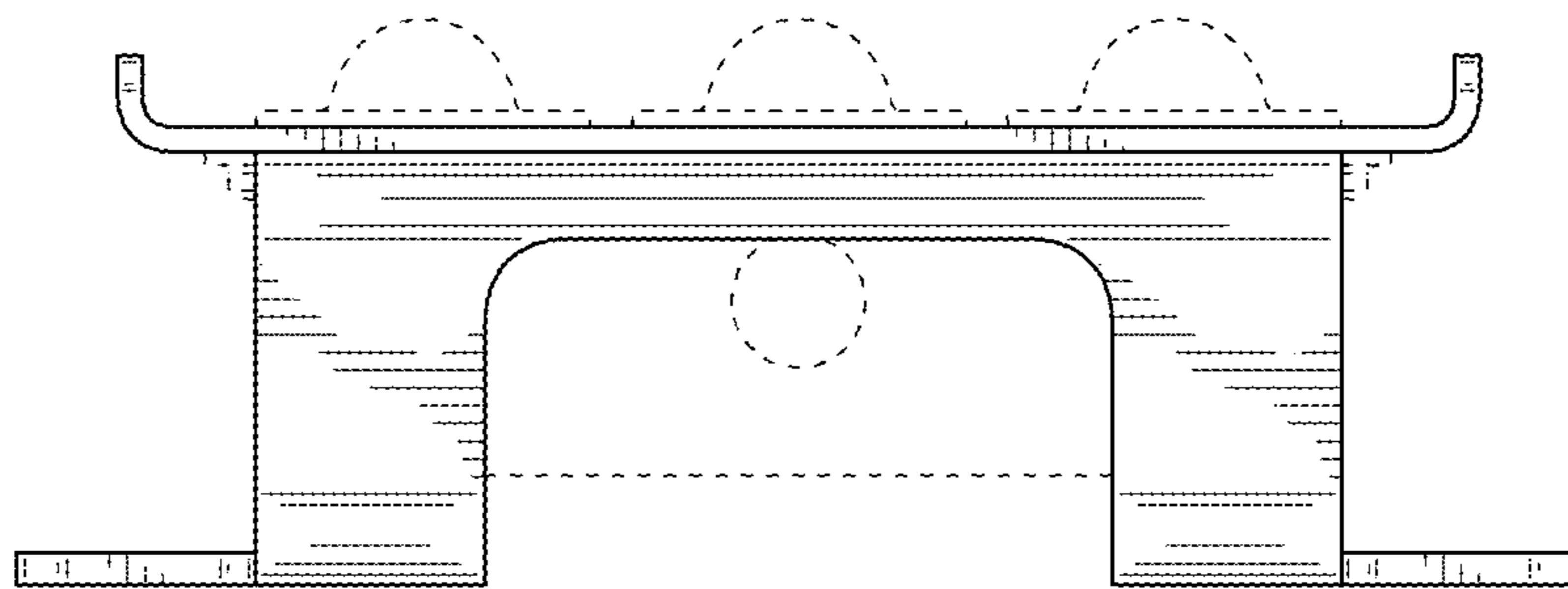


FIG. 7