



US00D916349S

(12) **United States Design Patent** (10) **Patent No.:** **US D916,349 S**  
**Battel** (45) **Date of Patent:** **\*\* Apr. 13, 2021**

(54) **LIGHT FIXTURE**  
(71) Applicant: **DOMUS LINE S.R.L.**, Milan (IT)  
(72) Inventor: **Loris Battel**, Brugnera (IT)  
(73) Assignee: **DOMUS LINE S.R.L.**, Milan (IT)  
(\*\*) Term: **15 Years**  
(21) Appl. No.: **29/684,865**  
(22) Filed: **Mar. 25, 2019**  
(30) **Foreign Application Priority Data**

Oct. 4, 2018 (EM) ..... 005743085-0001

(51) **LOC (13) Cl.** ..... **26-05**

(52) **U.S. Cl.**  
USPC ..... **D26/74**

(58) **Field of Classification Search**  
USPC ..... D26/74, 72, 75, 76, 77, 78, 85, 88, 89,  
D26/118, 138, 141, 67, 70; 362/364,  
362/365, 373, 145, 146, 147, 148, 150,  
362/153, 153.1, 294, 296.01, 296.07,  
362/296.08

CPC ..... F21V 29/2262; F21V 7/06; F21V 21/044;  
F21V 21/047; F21V 29/2212; F21V  
29/2225; F21V 29/2256; F21V 29/225;  
F21V 29/2268; F21Y 2111/002; F21S  
8/02; F21S 8/026

See application file for complete search history.

(56) **References Cited**

**U.S. PATENT DOCUMENTS**

D570,518 S \* 6/2008 Haimov ..... D26/119  
D597,241 S \* 7/2009 Fabbri ..... D26/74

D602,626 S \* 10/2009 Santoro ..... D26/76  
D646,827 S \* 10/2011 Van Gompel ..... D26/74  
D647,239 S \* 10/2011 Beghelli ..... D26/74  
D682,455 S \* 5/2013 Apetauer ..... D26/74  
D685,943 S \* 7/2013 Duquette ..... D26/74  
D687,178 S \* 7/2013 Grandsart ..... D26/85  
D690,867 S \* 10/2013 Mayfield, III ..... D26/74  
D744,689 S \* 12/2015 Maxik ..... D26/74  
D769,502 S \* 10/2016 Van Lierde ..... D26/74  
D771,306 S \* 11/2016 Dietel ..... D26/141  
D830,200 S \* 10/2018 Kim ..... D9/744

\* cited by examiner

*Primary Examiner* — Angela J Lee

(74) *Attorney, Agent, or Firm* — Oliff PLC

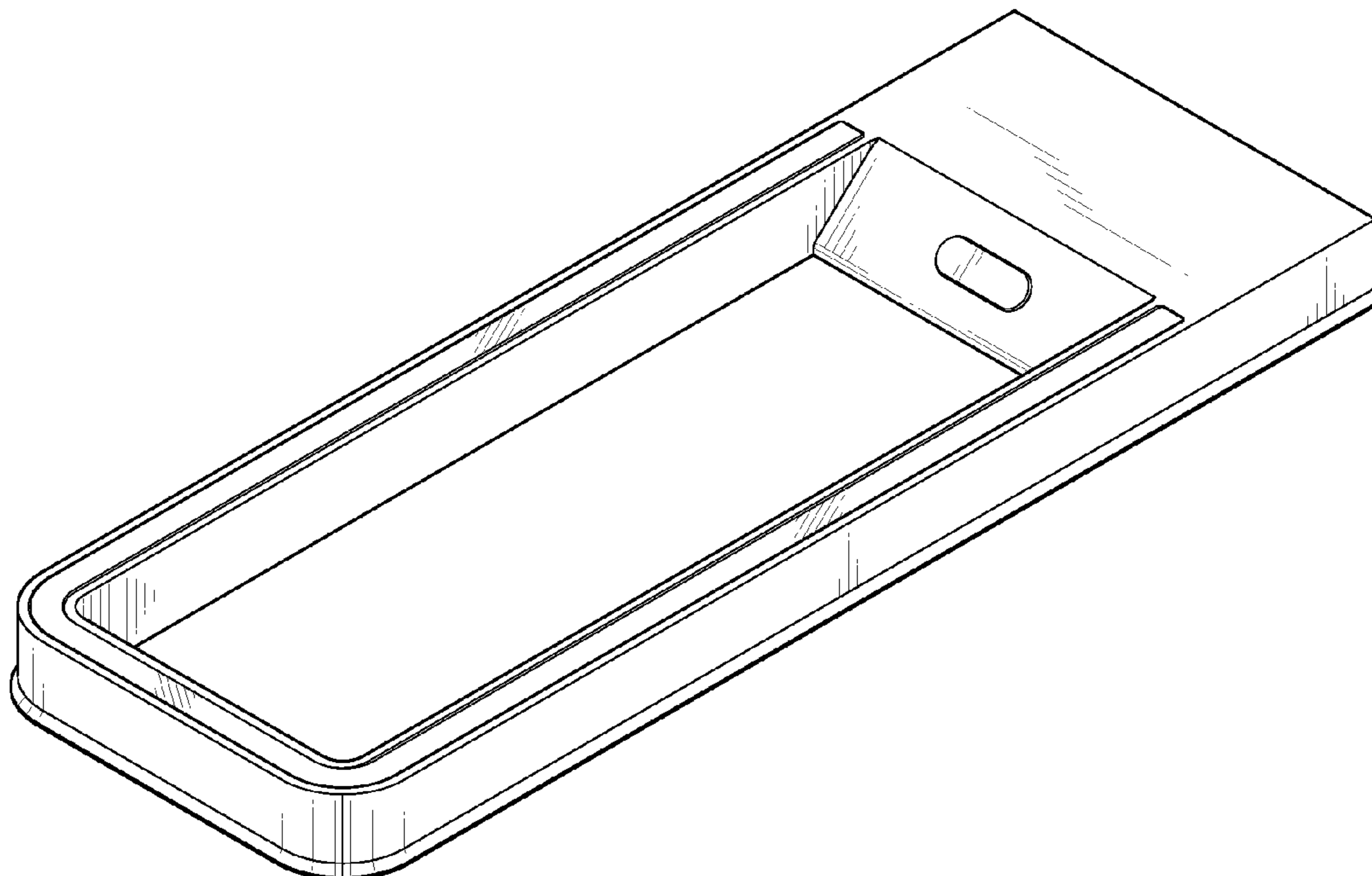
(57) **CLAIM**

The ornamental design for a light fixture, as shown and described.

**DESCRIPTION**

FIG. 1 is a bottom, front, right-side perspective view of the light fixture in a mounted state;  
FIG. 2 is a bottom, front, right-side perspective view of the light fixture in an un-mounted state;  
FIG. 3 is a right-side elevational view thereof, the left-side elevational view (not provided) being a mirror image thereof; and,  
FIG. 4 is a bottom plan view thereof.  
The broken lines depict environment and form no part of the claimed design.

**1 Claim, 2 Drawing Sheets**



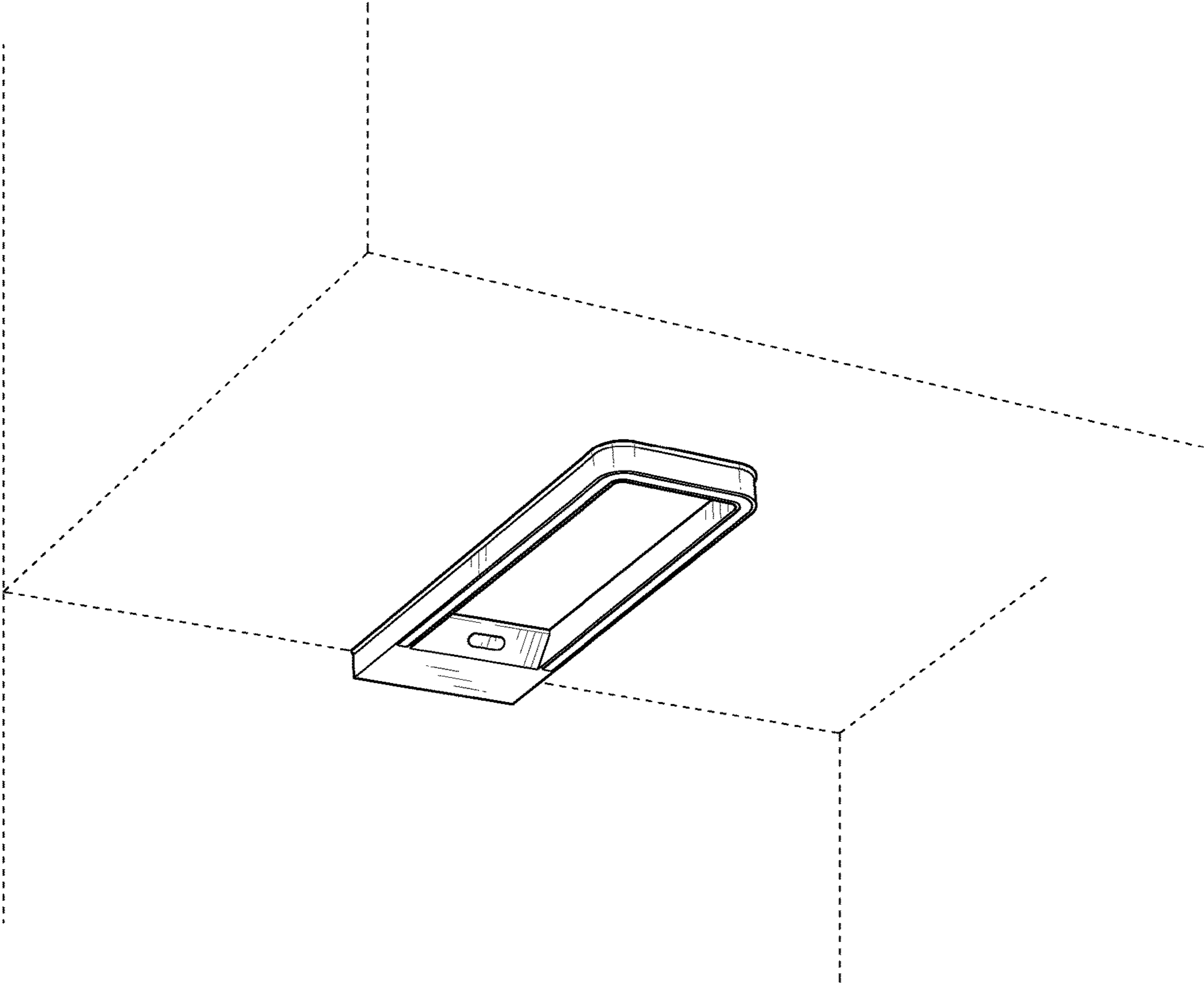


FIG. 1

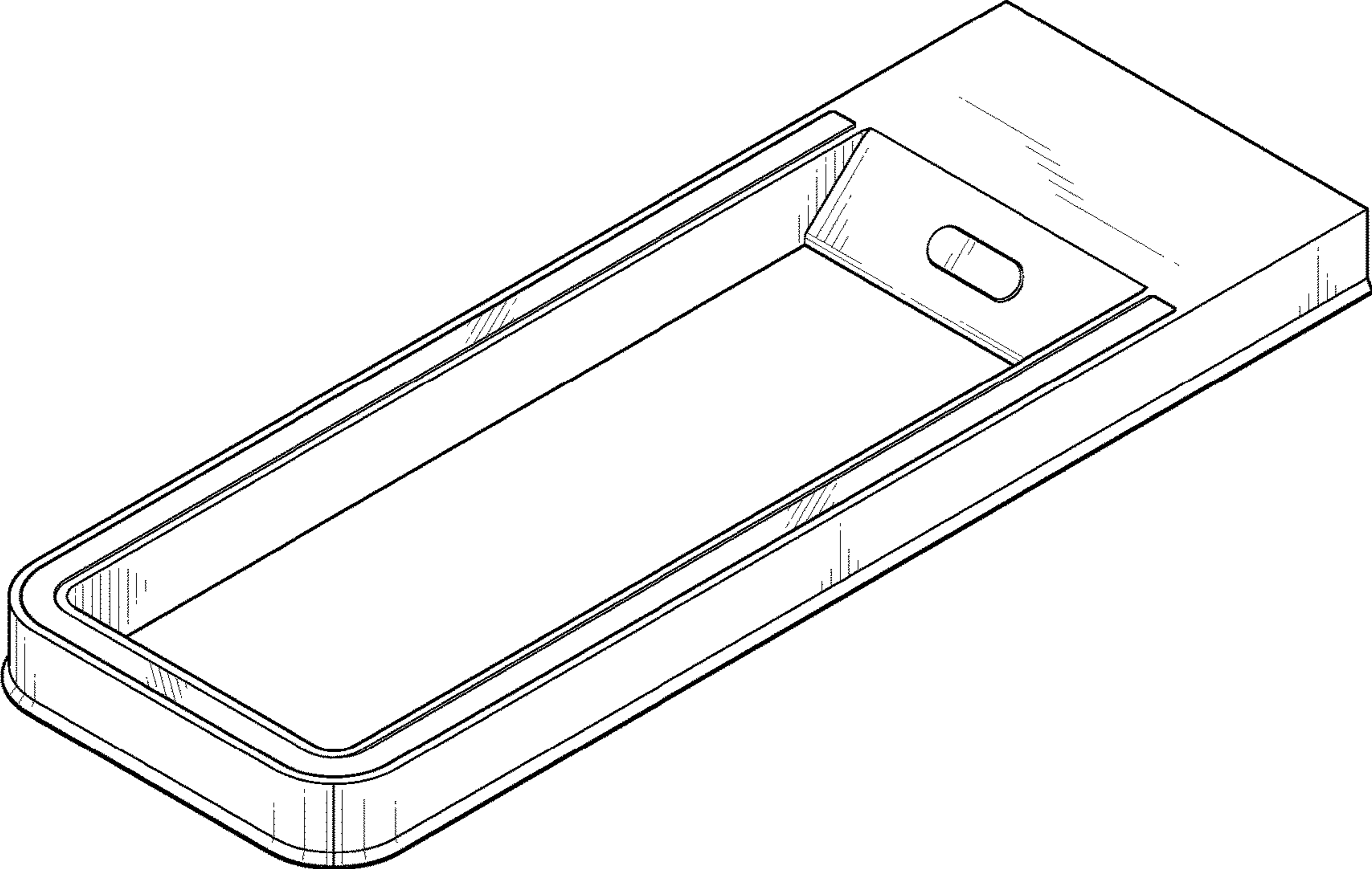


FIG. 2



FIG. 3

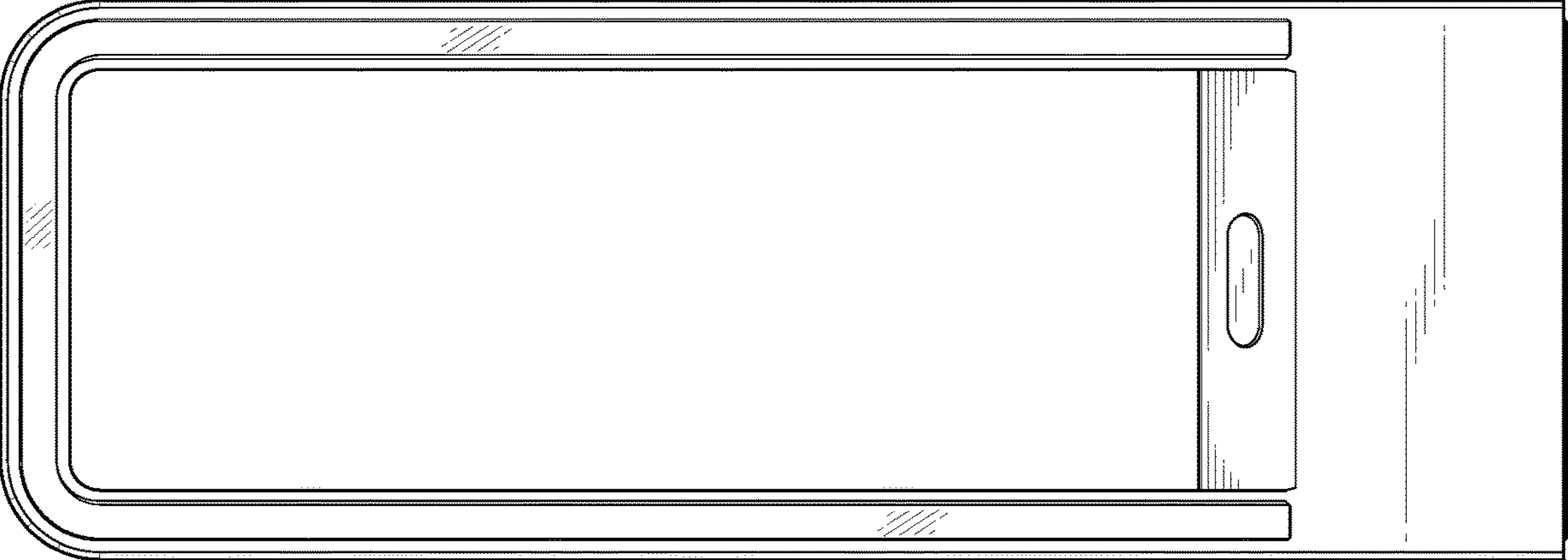


FIG. 4